

CM-DX1000

SONY

SERVICE MANUAL

AEP Model
UK Model

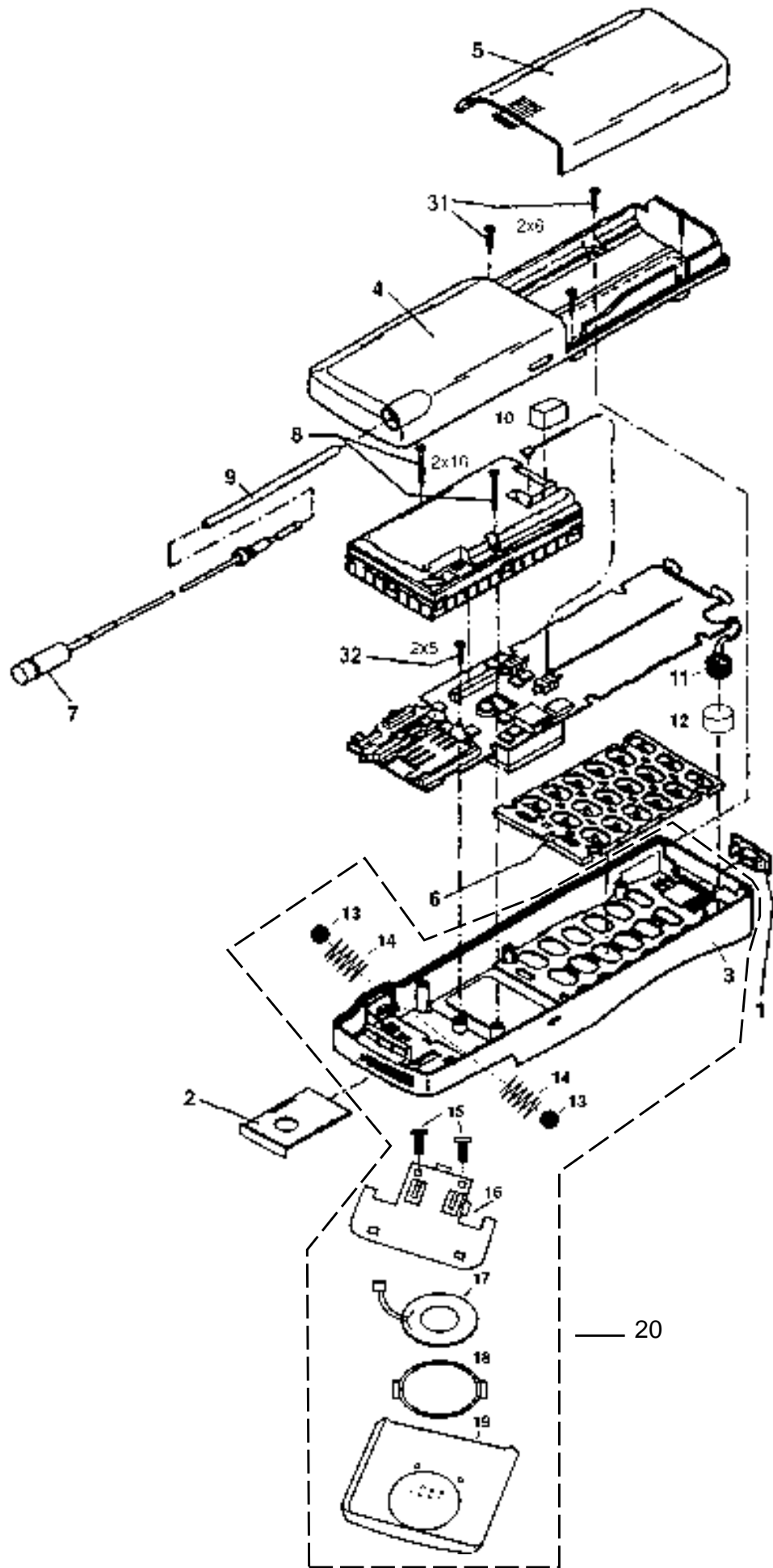
SUPPLEMENT-1

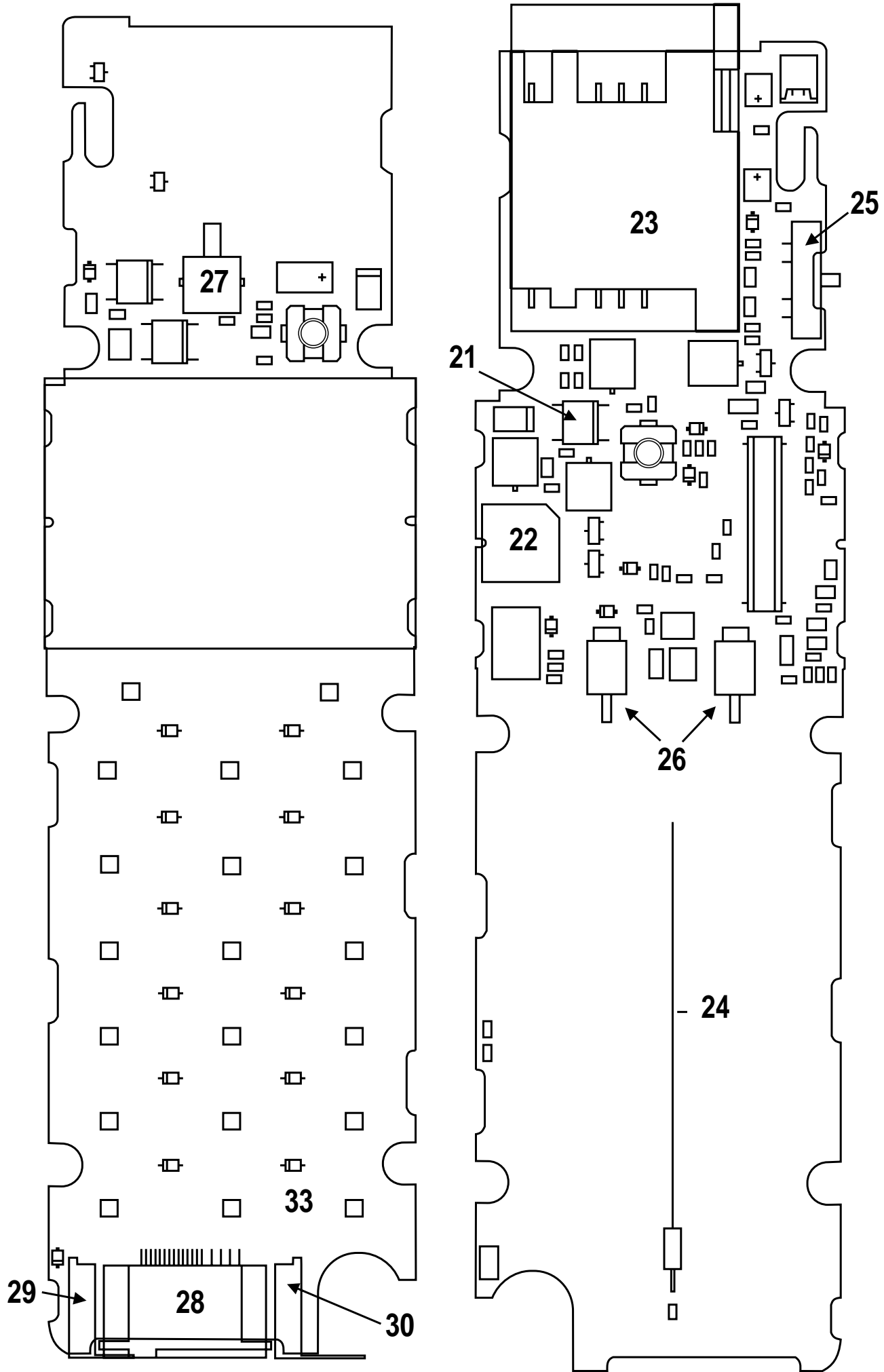
Please file this supplement with the service manual.

Subject : New parts available

This supplement also includes all parts-related information issued in Service Bulletins up to May 1997.

All items related to parts changes mentioned in previous Service Bulletins or new parts are **highlighted**.





<i>Ref no</i>	<i>Part number</i>	<i>Description</i>
1	3-920-744-01	IF connector cover
2	3-920-791-01	SIM card holder
3	X-3369-697-1	Upper case shell without earphone
4	X-3369-698-1	Lower case shell
5	X-3369-700-1	Battery box cover
6	3-920-736-01	Keypad
7	9-948-003-84	Antenna
8	3-920-766-01	Torx screw 2 X 18
9	3-925-457-01	Antenna guide sleeve
10	3-923-081-01	Spacer (B)
11	1-542-256-11	Microphone
12	3-920-741-01	Microphone holder
13	7-671-155-01	Steel ball (3.0)
14	3-920-743-01	Coil spring
15	3-920-748-01	Torx screw 1.7 X 6
16	3-920-737-01	Receiver case (lower)
17	1-504-764-11	Speaker
18	3-920-740-01	Receiver holder
19	X-3369-699-1	Receiver case subassy
20	A-0602-116-A	Upper case shell including earphone
21	8-759-336-22	IC LTC1174
22	1-759-063-11	Ringer
23	1-770-131-11	SIM card reader assy
24	1-769-332-11	Coaxial antenna wire
25	1-762-248-21	Volume switch
26	1-537-838-21	Battery terminal
27	1-762-249-21	Pop-up switch
28	1-770-133-21	Car kit connector
29	3-920-776-01	Charging terminal (L)
30	3-920-777-01	Charging terminal (R)
31	3-920-764-01	Torx screw 2 X 6
32	3-920-749-01	Torx screw 2 X 5
33	8-719-049-68	Diode