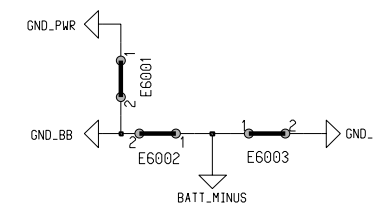
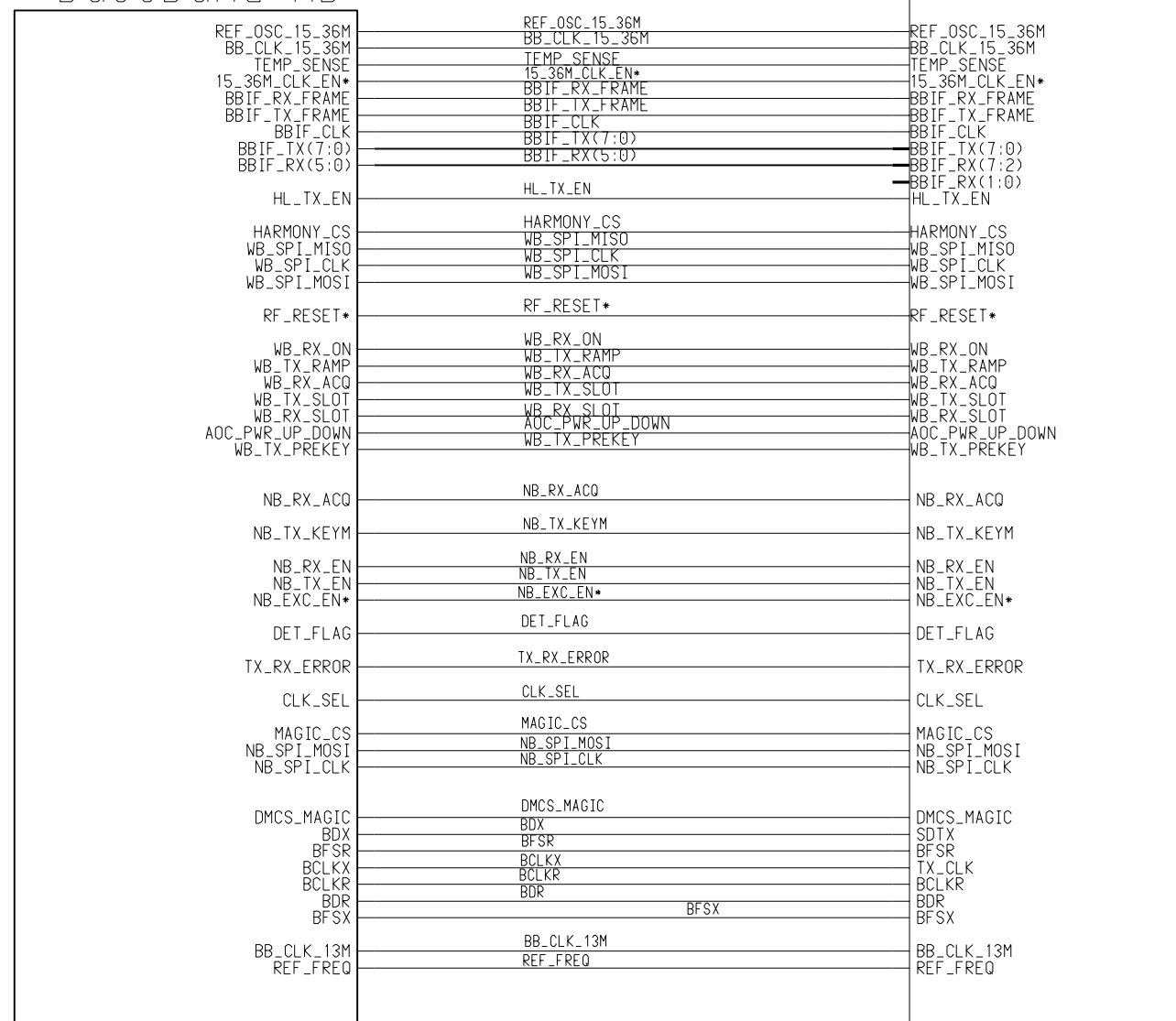
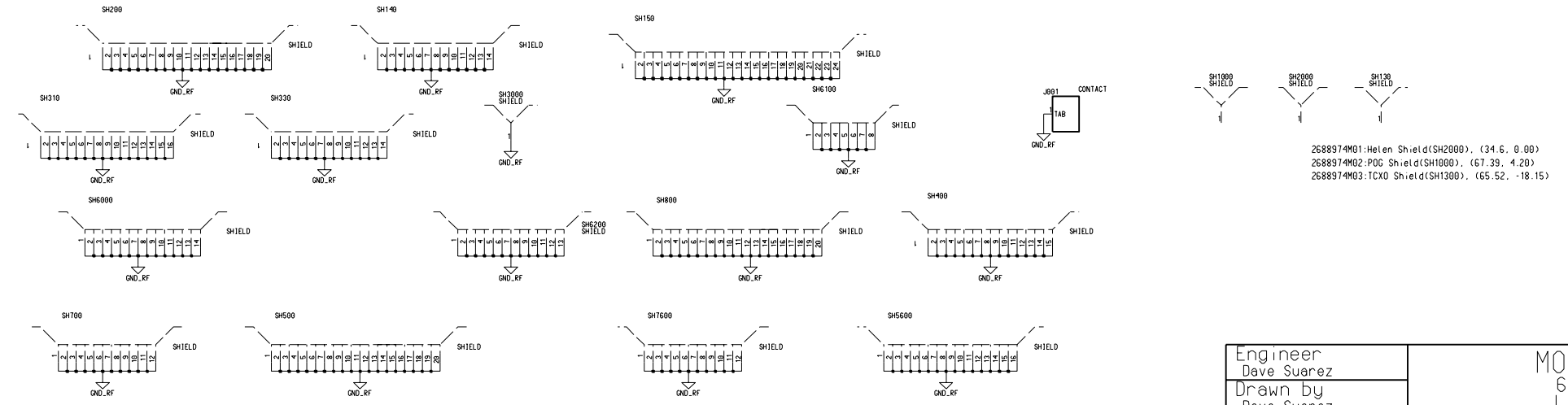
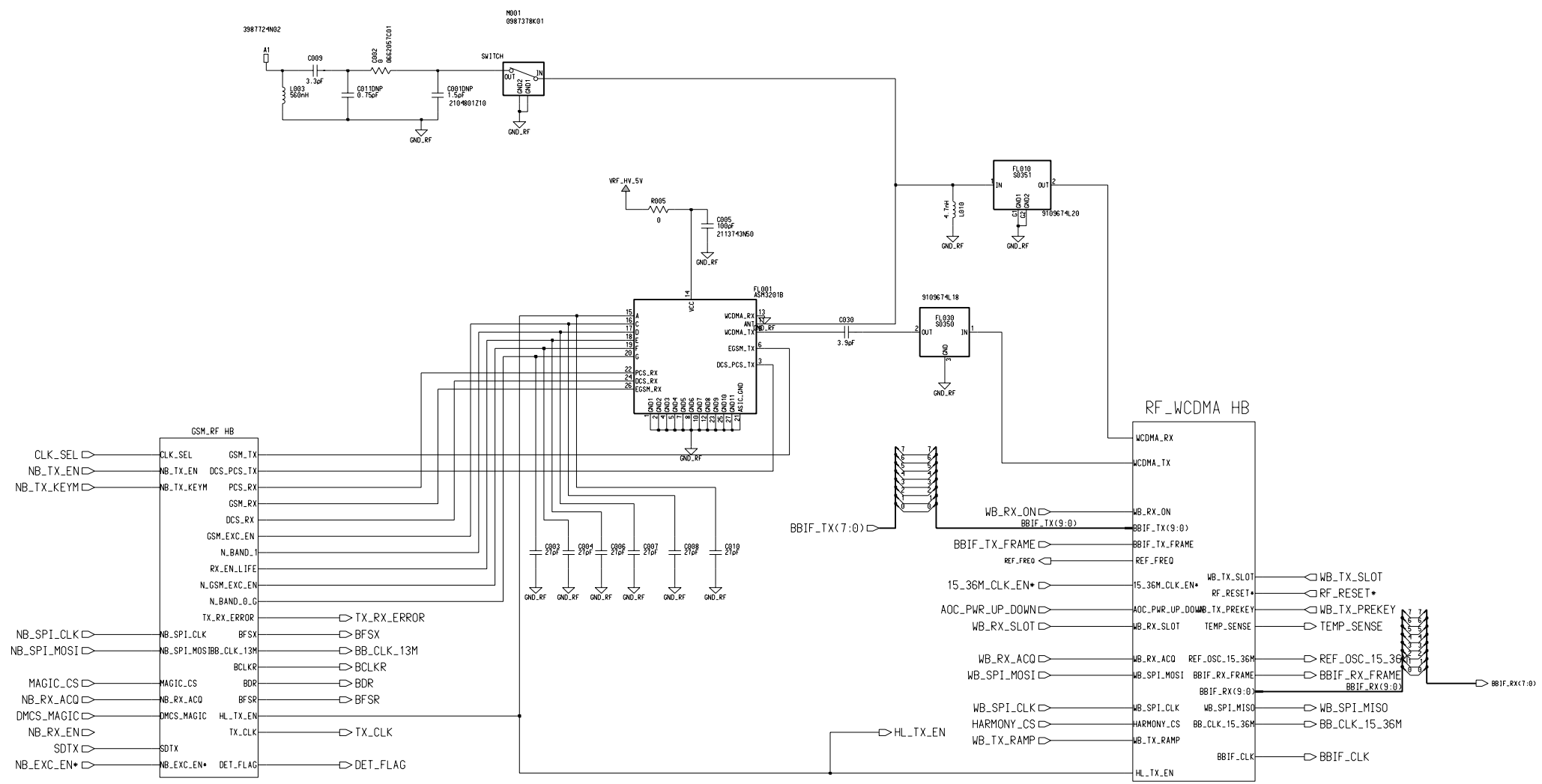


Baseband HB

RF HB

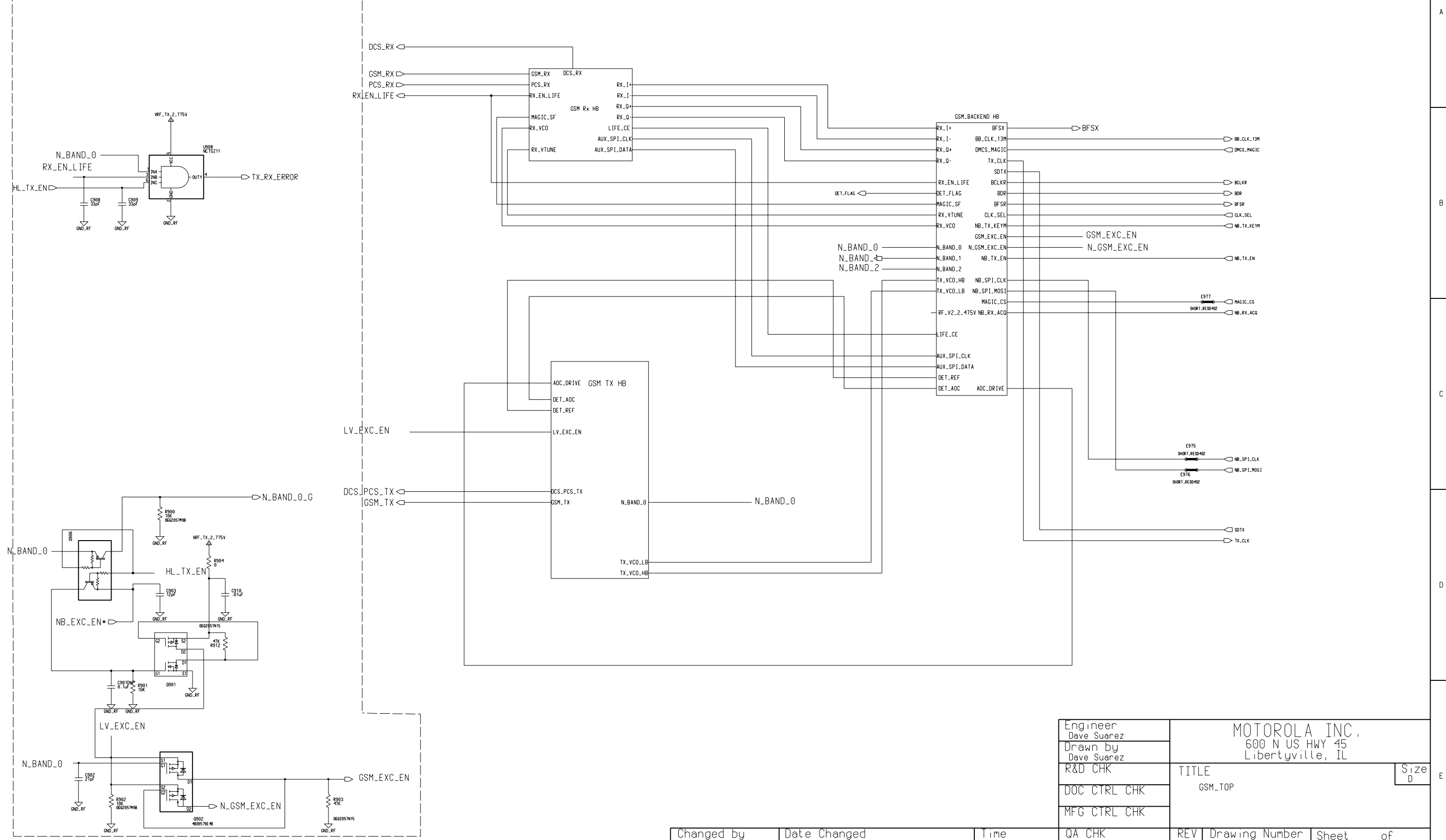




Engineer Dave Suarez	MOTOROLA INC, 600 N US HWY 45 Libertyville, IL		
Drawn by Dave Suarez			
R&D CHK	TITLE	Size	D
DOC CTRL CHK	RF_TOP		
MFG CTRL CHK			
QA CHK	REV	Drawing Number	Sheet of

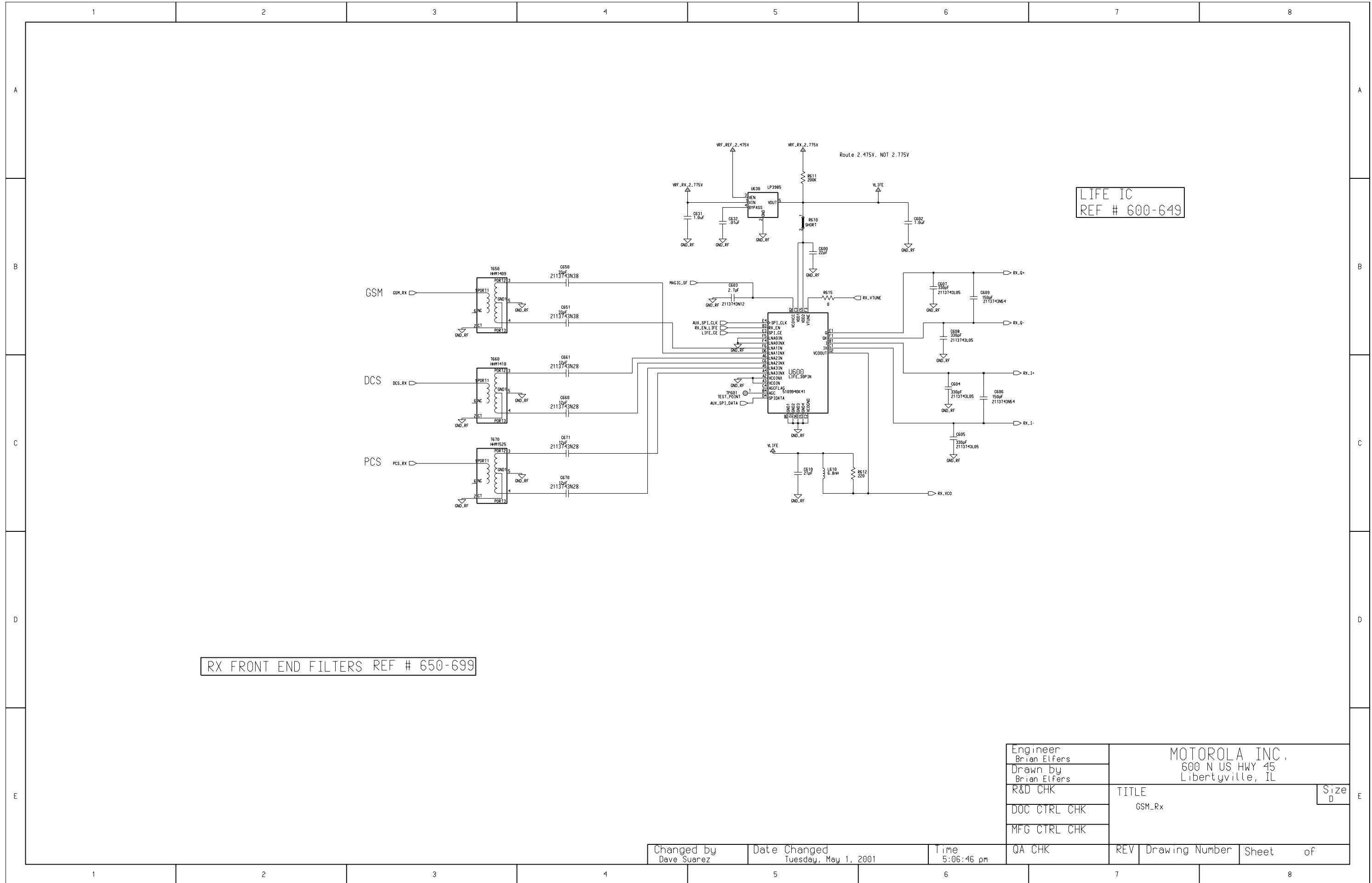
Changed by Dave Suarez	Date Changed Friday, April 20, 2001	Time 3:59:05 pm
---------------------------	--	--------------------

Band Select Circuits REF # 900-925



Engineer Dave Suarez	MOTOROLA INC. 600 N US HWY 45 Libertyville, IL		
Drawn by Dave Suarez			
R&D CHK	TITLE	Size D	
DOC CTRL CHK	GSM.TOP		
MFG CTRL CHK			
QA CHK	REV	Drawing Number	Sheet of

Changed by Dave Suarez Date Changed Tuesday, May 1, 2001 Time 11:34:44 am



RX FRONT END FILTERS REF # 650-699

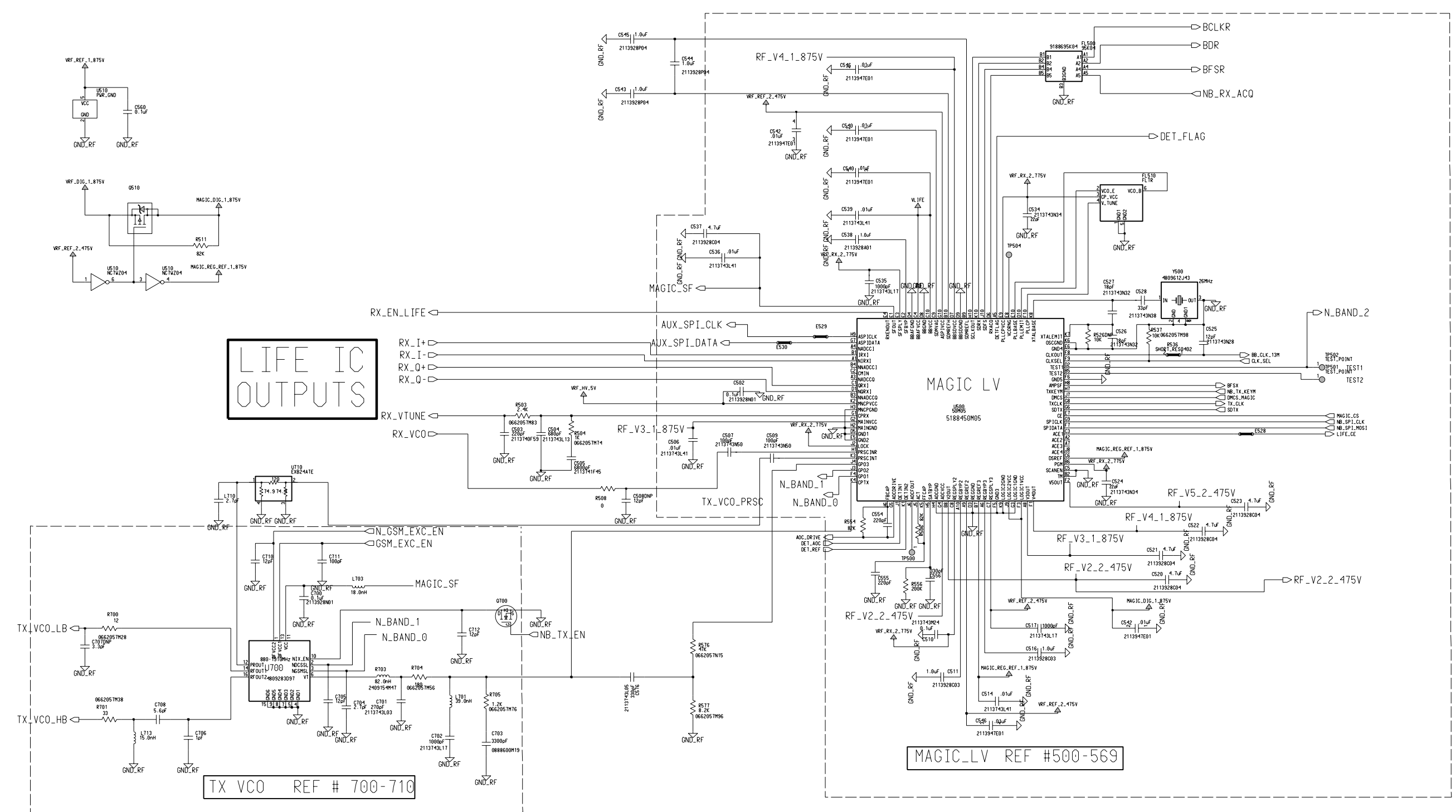
LIFE IC
REF # 600-649

Engineer Brian Elfers	MOTOROLA INC. 600 N US HWY 45 Libertyville, IL		
Drawn by Brian Elfers	TITLE GSM.Rx		
R&D CHK	Size D		
DOC CTRL CHK			
MFG CTRL CHK			
QA CHK	REV	Drawing Number	Sheet of

Changed by
Dave Suarez

Date Changed
Tuesday, May 1, 2001

Time
5:06:46 pm



LIFE IC
OUTPUTS

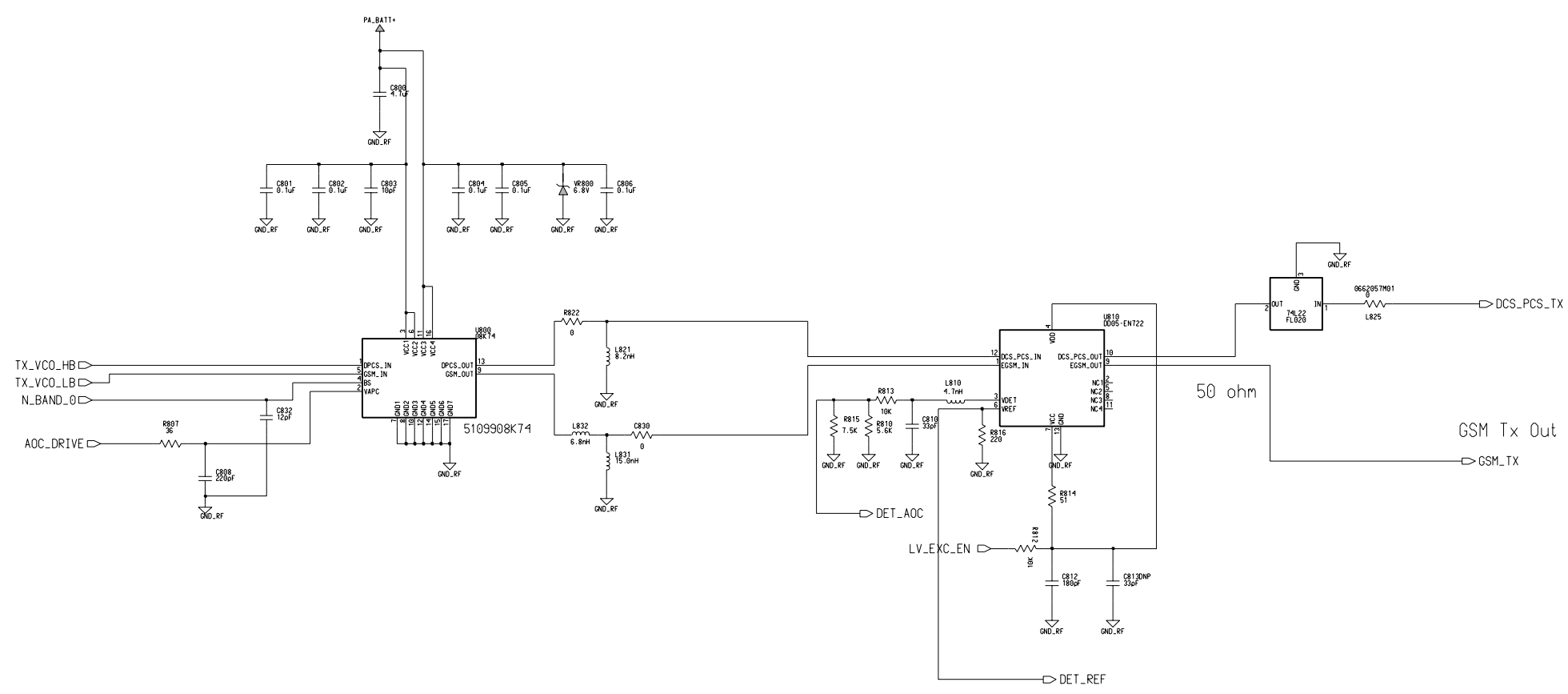
TX VCO REF # 700-710

MAGIC LV REF #500-569

Engineer Andy Ma	MOTOROLA INC. LIBERTYVILLE IL		
Drawn by Andy Ma	TITLE Talon_rev_0 GSM_backend		
R&D CHK	REV	Drawing Number	Sheet of
DOC CTRL CHK			
MFG CTRL CHK			
QA CHK			

Changed by Dave Suarez	Date Changed Tuesday, May 1, 2001	Time 11:28:57 am
---------------------------	--------------------------------------	---------------------

GSM Transmitter



Engineer Paul Manente	MOTOROLA INC. 600 N US HWY 45 Libertyville, IL		
Drawn by Paul Manente	TITLE GSM_TX-D		Size D
R&D CHK	GSM_Transmitter		
DOC CTRL CHK			
MFG CTRL CHK			
QA CHK	REV	Drawing Number	Sheet of

Changed by: Dave Suarez
Date Changed: Tuesday, May 1, 2001
Time: 12:33:12 pm

1 2 3 4 5 6 7 8

A

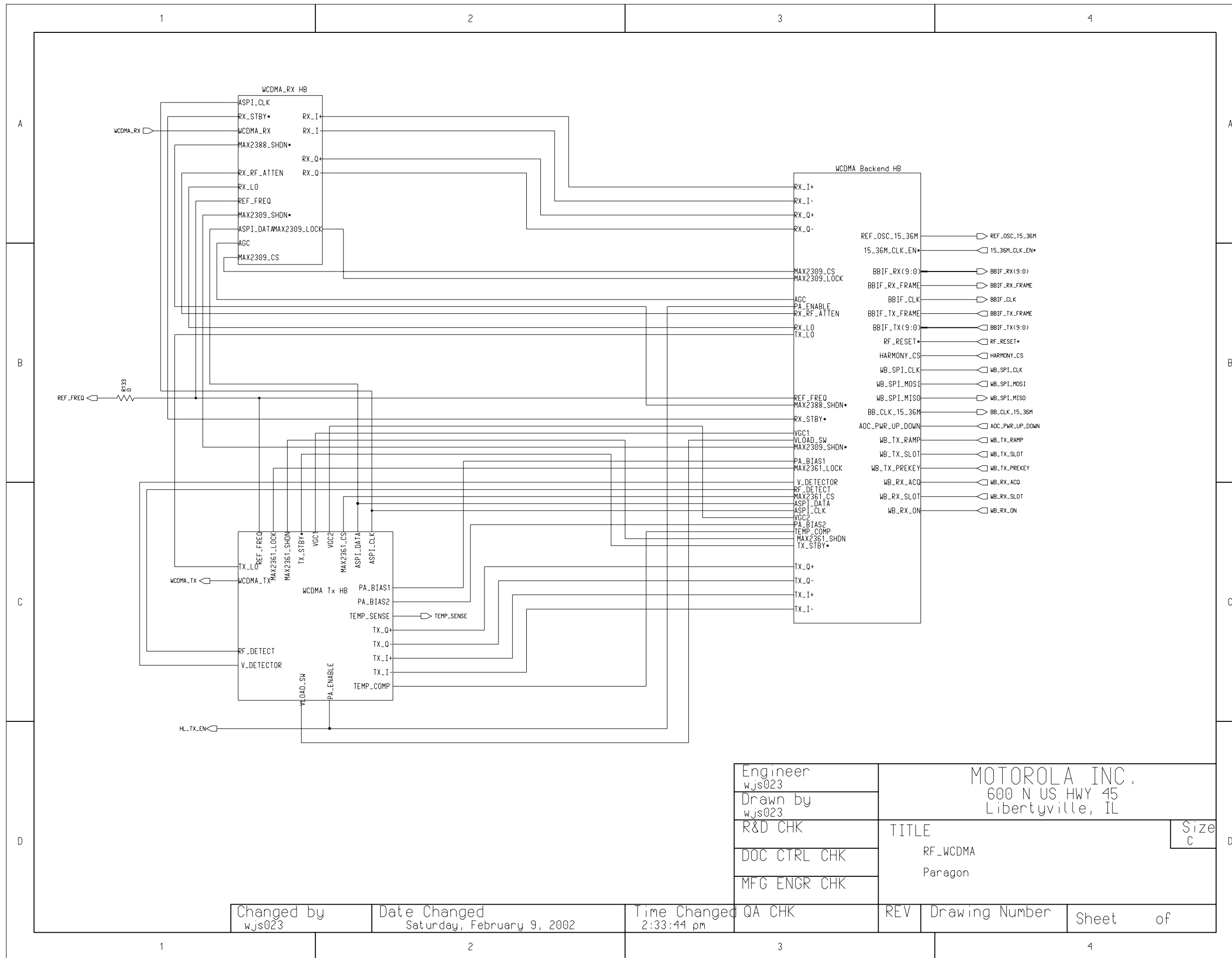
B

C

D

E

1 2 3 4 5 6 7 8



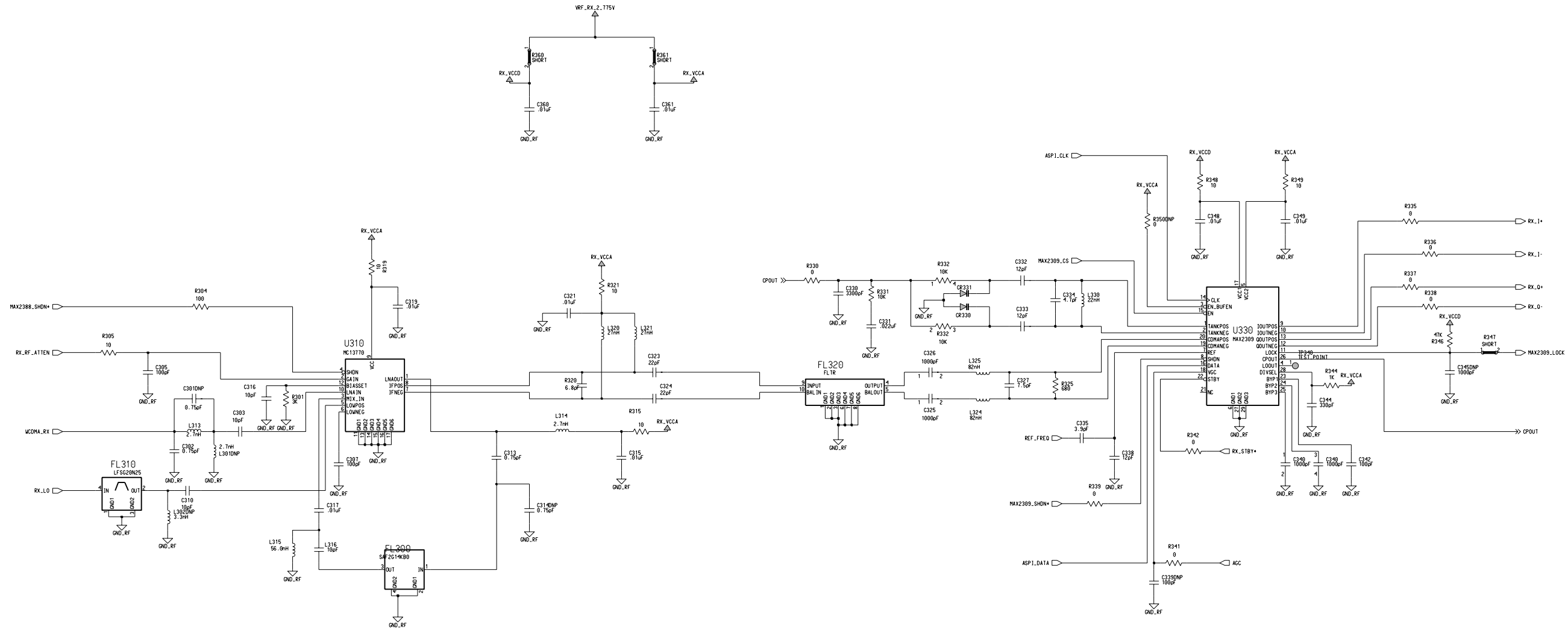
Engineer
wjs023
Drawn by
wjs023
R&D CHK
DOC CTRL CHK
MFG ENGR CHK
QA CHK

MOTOROLA INC.
600 N US HWY 45
Libertyville, IL
TITLE
RF_WCDMA
Paragon
REV
Drawing Number
Sheet of

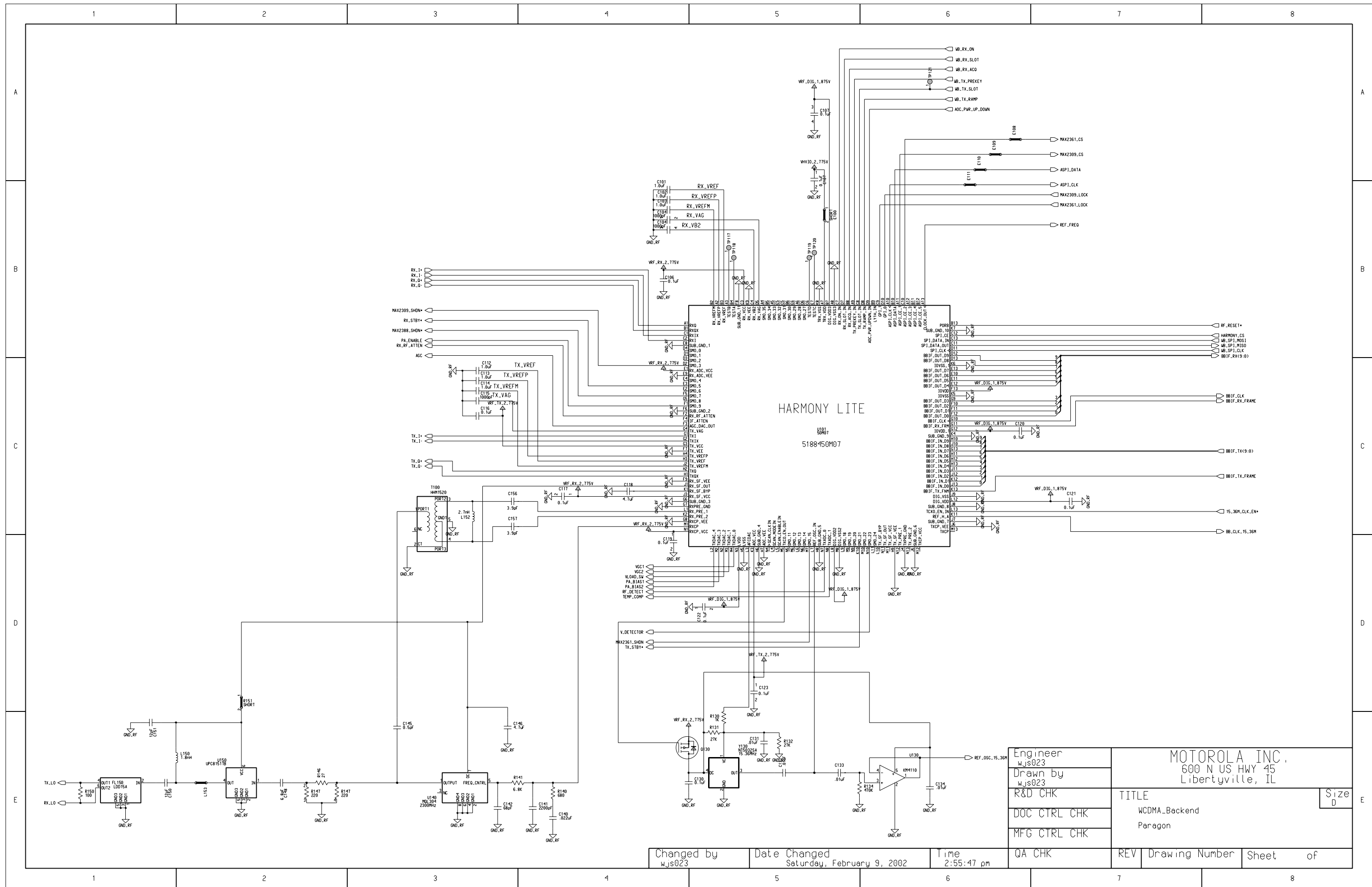
Changed by
wjs023
Date Changed
Saturday, February 9, 2002
Time Changed
2:33:44 pm

Size
C

1
MOTOROLA INTERNAL USE ONLY



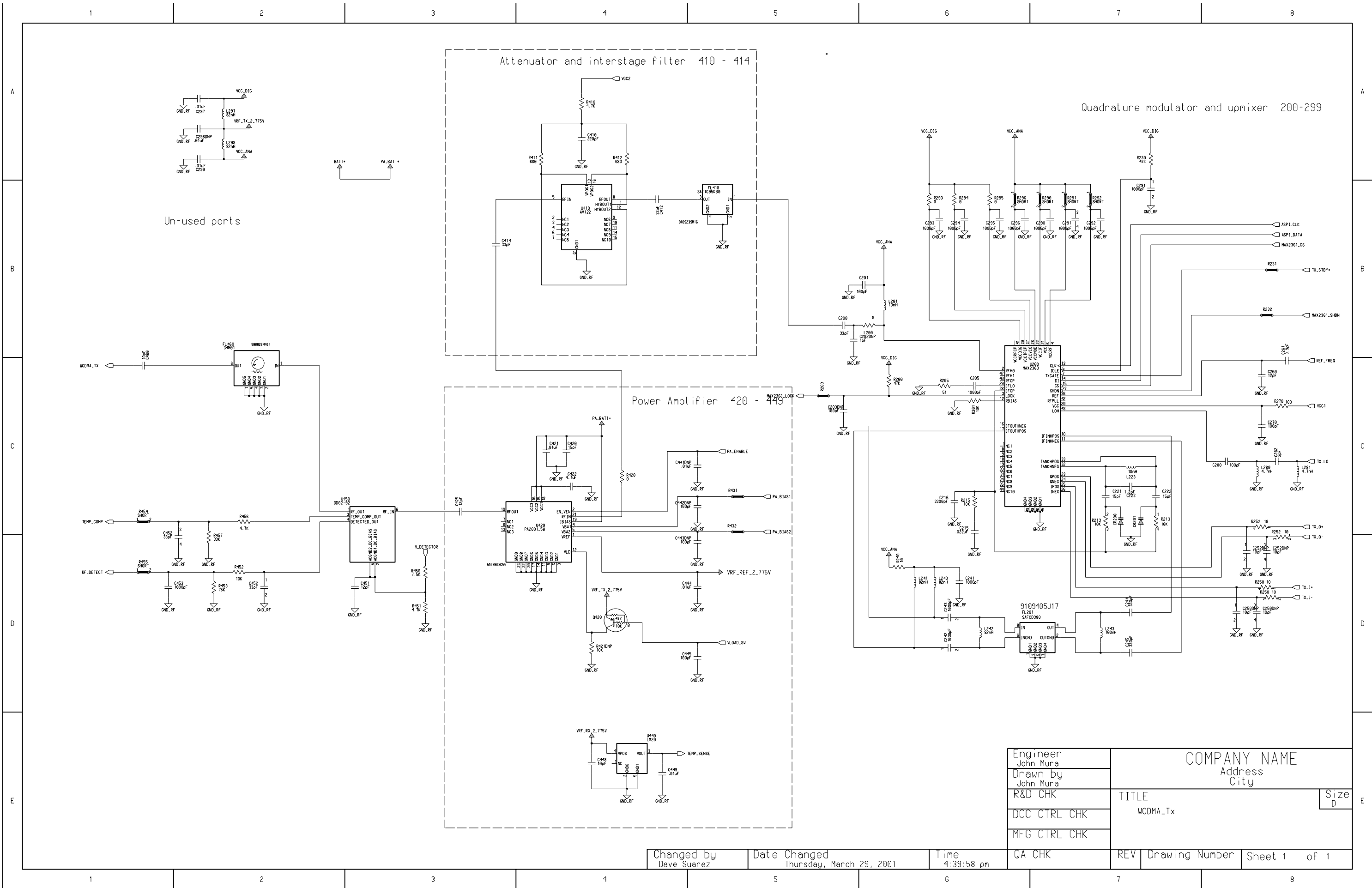
Engineer:	Randy Kressner		Size:
Drawn by:	Randy Kressner		D
DOC CTRL CHK:		TITLE:	WCDMA_Rx
MFG CTRL CHK:		REV:	Drawing Number: Page: UF:
QA CHK:		Date:	Thursday, March 22, 2001 Time: 3:10:36 pm
Changed by:	Randy Kressner		



HARMONY LITE
U181
5188450M07

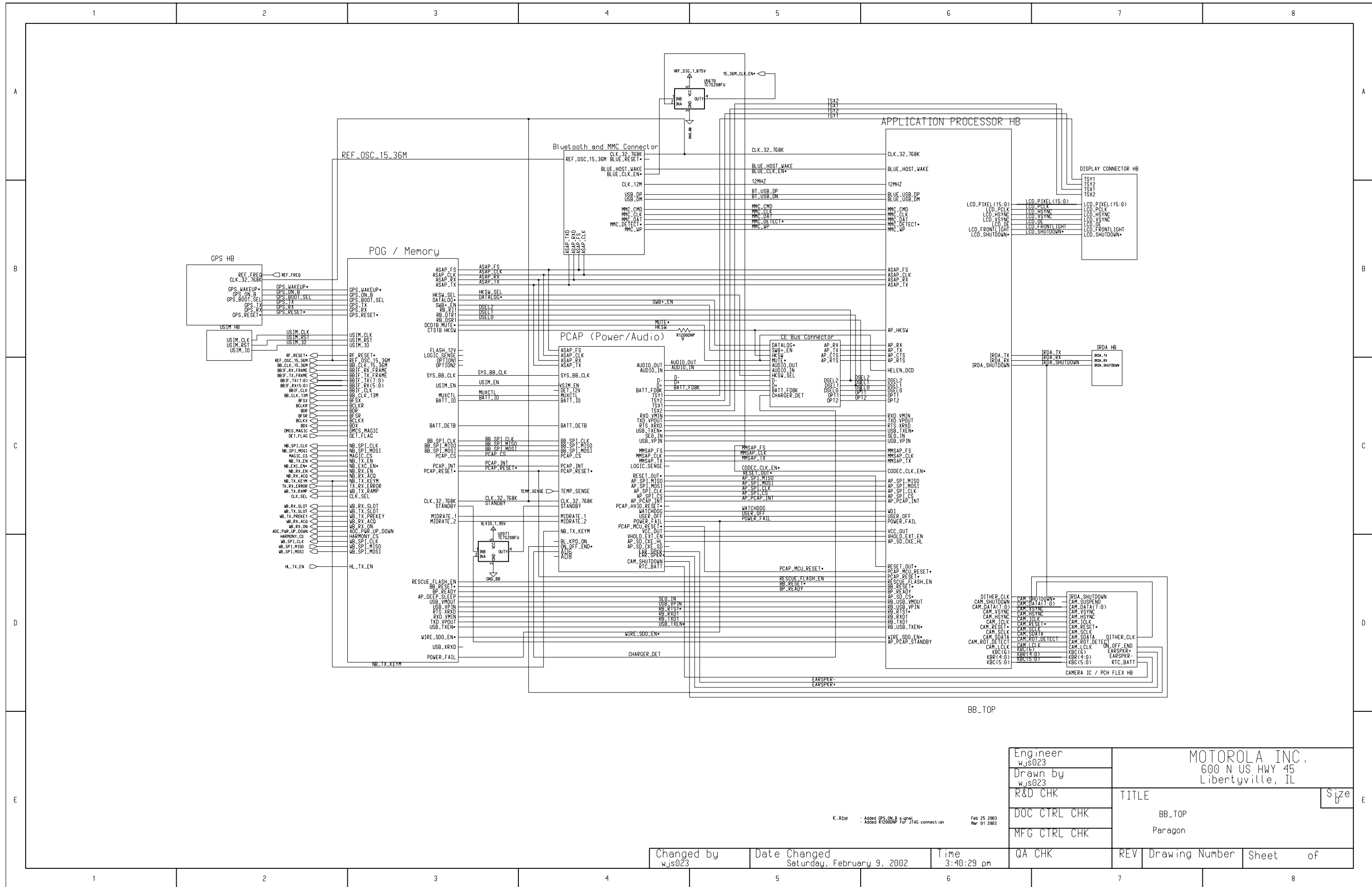
Engineer wjs023	MOTOROLA INC. 600 N US HWY 45 Libertyville, IL		
Drawn by wjs023	TITLE WCDMA_Backend	REV	Sheet of
R&D CHK	Paragon	Drawing Number	
DOC CTRL CHK			
MFG CTRL CHK			
QA CHK			

Changed by wjs023	Date Changed Saturday, February 9, 2002	Time 2:55:47 pm
----------------------	--	--------------------



Engineer John Mura	COMPANY NAME Address City		
Drawn by John Mura	TITLE WCDMA_Tx		
R&D CHK	TITLE	Size D	
DOC CTRL CHK	REV	Drawing Number	Sheet 1 of 1
MFG CTRL CHK	QA CHK	Time 4:39:58 pm	

Changed by Dave Suarez Date Changed Thursday, March 29, 2001 Time 4:39:58 pm

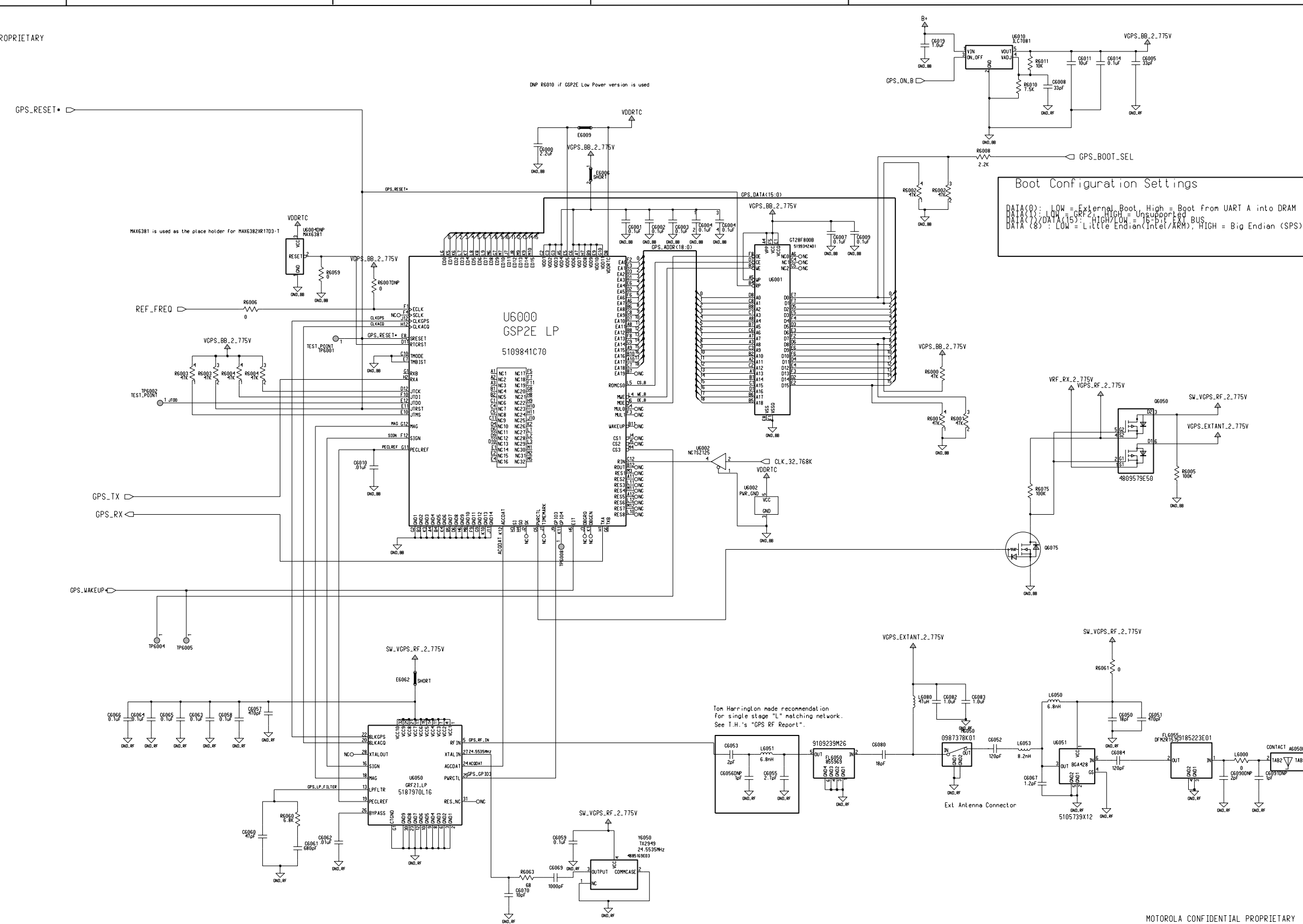


Engineer wjs023	MOTOROLA INC, 600 N US HWY 45 Libertyville, IL		
Drawn by wjs023			
R&D CHK	TITLE	Size	
DOC CTRL CHK	BB_TOP		
MFG CTRL CHK	Paragon		
QA CHK	REV	Drawing Number	Sheet of

K. Abe - Added GPS_ON_B signal
- Added R1290NP For JTAG connection
Feb 25 2003
Mar 01 2003

Changed by wjs023	Date Changed Saturday, February 9, 2002	Time 3:40:29 pm
----------------------	--	--------------------

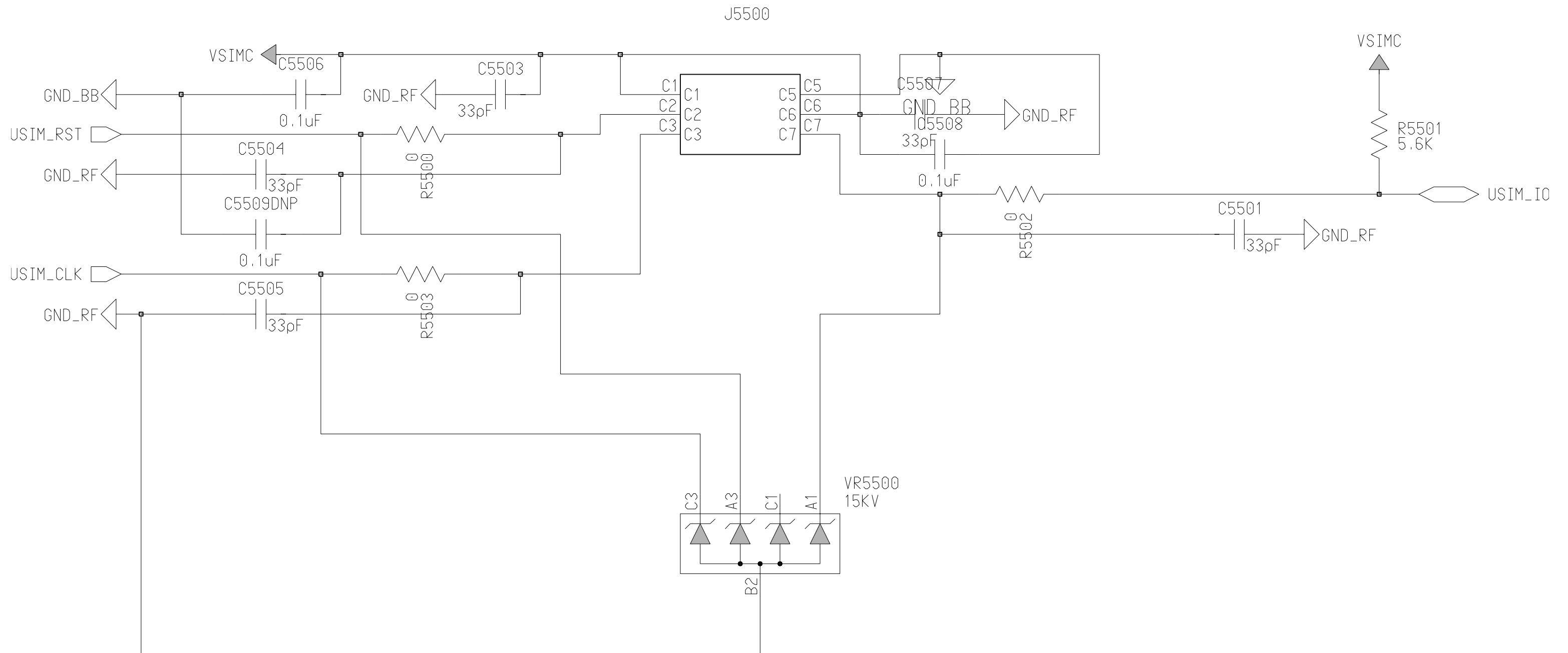
Engineer:	Sumitro Gunawan	DATE:	11/24
RFG CHK:	Sumitro Gunawan	REV:	1
DA CHK:		Page:	1
Changed by:	Sumitro Gunawan	Date:	Wed, Nov 21, 2001
		Time:	5:03:26 pm
K.Abe			Feb 25 2003



Boot Configuration Settings

DATA(0): LOW = External Boot, High = Boot from UART A into DRAM
 DATA(7)/DATA(15): HIGH/LOW = Unsupported BUS
 DATA(8): LOW = Little Endian (Intel/ARM), HIGH = Big Endian (SPS)

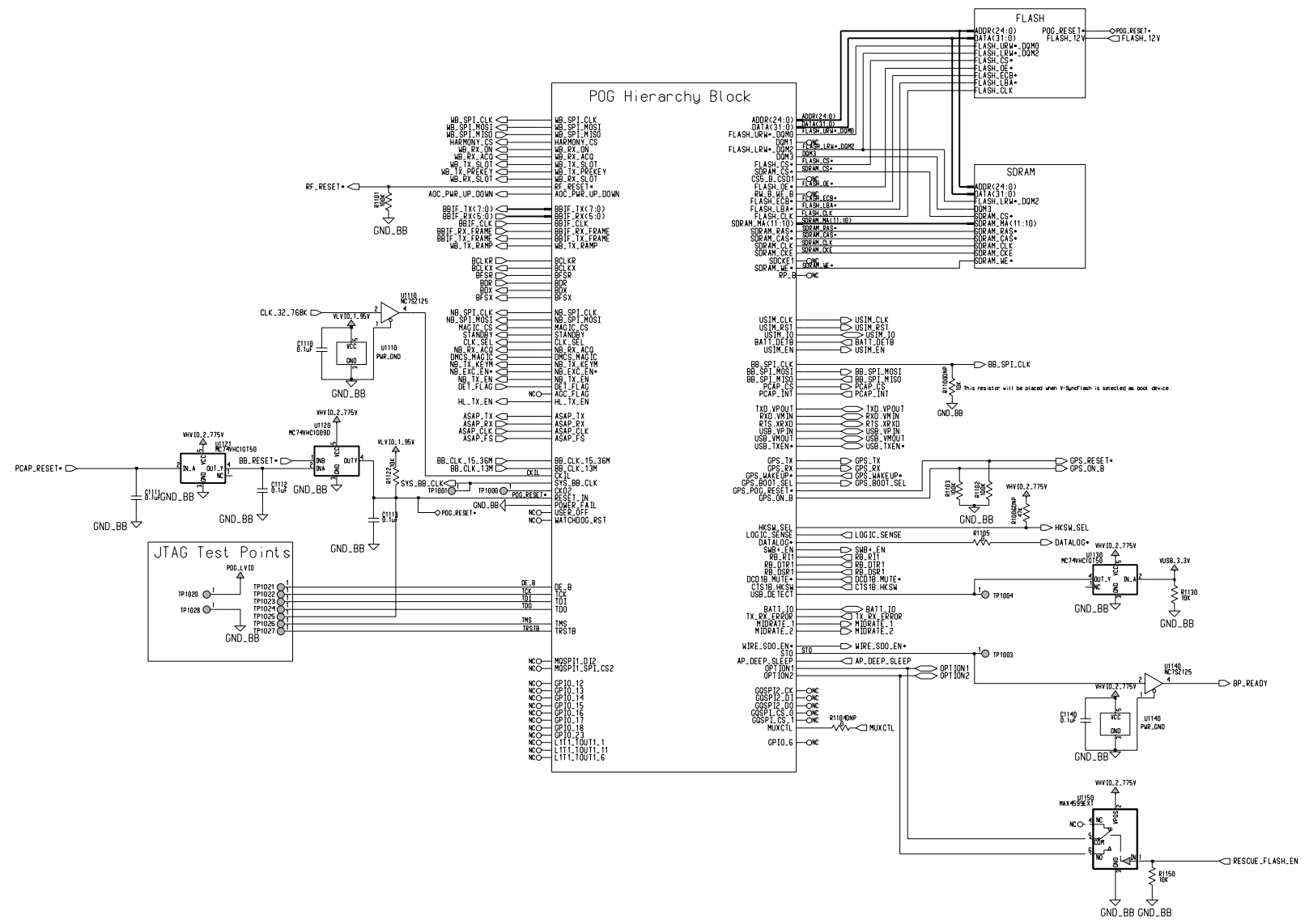
Tom Harrington made recommendation for single stage "L" matching network. See T.H.'s "GPS RF Report".



REV	Changed by	Description	Date
E.Abe		- Updated from aB to aB	Dec 24 2002
E.Abe		- Connected USB_DETECT signal - Placed a 30nF place holder for MUXCTL signal	Oct 05 2002
E.Abe		- Changed reset circuitry	Oct 24 2002
E.Abe		- Assigned GPS_ON_B signal to GPS_ON	Jan 20 2003
E.Abe		- Moved level shifter for PCAP_RESET+ from PCAP section.	Feb 13 2003
E.Abe		- Changed TP940 to POG_LV1D	Feb 25 2003
E.Abe		- Added pull-down resistor to GPS_ON_B	Mar 01 2003
E.Abe		- Added 81005 and 81002NP for JTAG communication	Mar 01 2003
E.Abe		- Removed GPS_TIME_SYNC signal	Apr 04 2003

Unassigned signals

- ◊ REF_OSC_15_36M
- ◊ USB_XRXD
- NB_RX_EN ◊
- ◊ POWER_FAIL



1 2 3 4 5 6 7

A

B

C

D

E

F

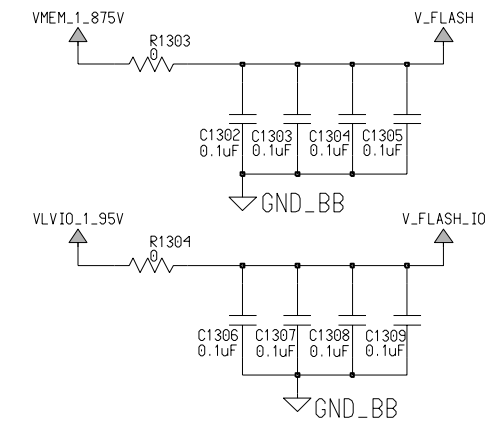
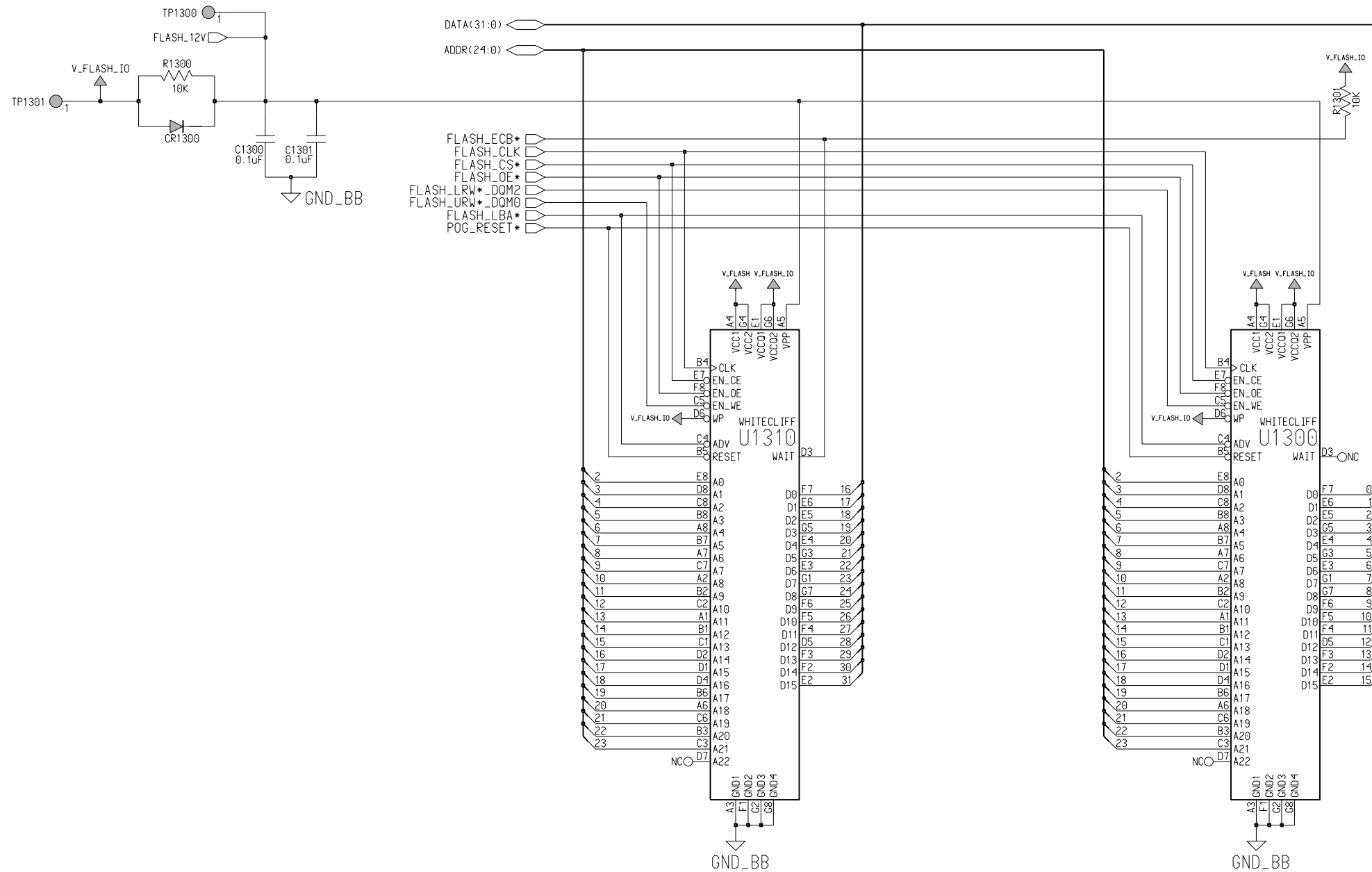
G

MOTOROLA CONFIDENTIAL PROPRIETARY

Engineer: Kenyu Abe			
Drawn by: Kenyu Abe			
R&D CHK:	TITLE: Paragon 1.5 POG FLASH	Size:	
DOC CTRL CHK:	REV:	Drawing Number:	Page:
MFG CTRL CHK:	QA CHK:	Date: Friday, May 31, 2002	Time: 11:24:34 am
Changed by: kabe			

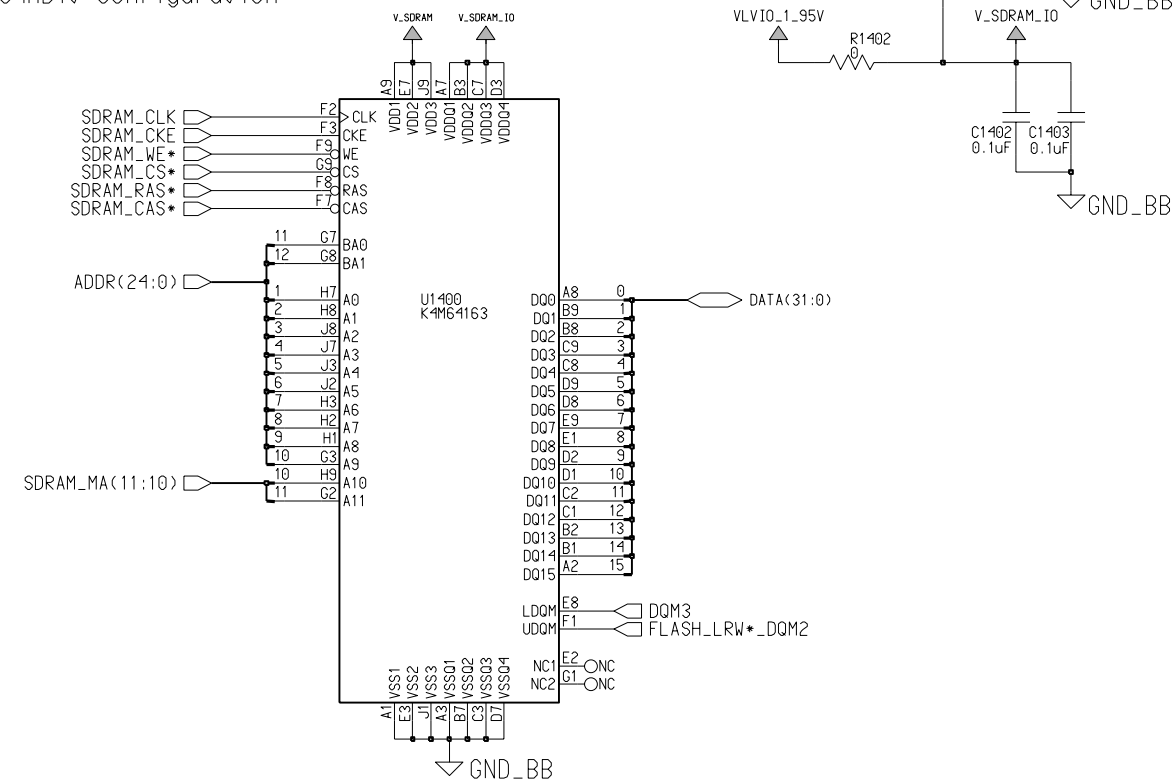
K.Abe - Removed R1302DNP

Mar 31 2003



Engineer: Kenyu Abe			
Drawn by: Kenyu Abe			
R&D CHK:	TITLE: Paragon 1.5 POG SDRAM	Size:	
DOC CTRL CHK:	REV:	Drawing Number:	Page:
MFG CTRL CHK:	QA CHK:	Date: Friday, May 31, 2002	Time: 11:24:34 am

64Mbit configuration



- K.Abe** - Removed C1402, C1403, C1406 and C1407 Jan 29 2003
- Added jumpers to select SDRAM size
- K.Abe** - Configured SDRAM as 64Mbit Mar 01 2003
- K.Abe** - Updated SDRAM part to 510950A55 Mar 25 2003
- Removed jumpers for 128Mbit part configuration

SDRAM size BA Connection	IAM=0(Non-Interleaved)	
	4Mx16	8Mx16
BA0	SDBA0(ADDR11)	SDBA1(ADDR12)
BA1	SDBA1(ADDR12)	SDBA2(ADDR13)

MOTOROLA CONFIDENTIAL PROPRIETARY

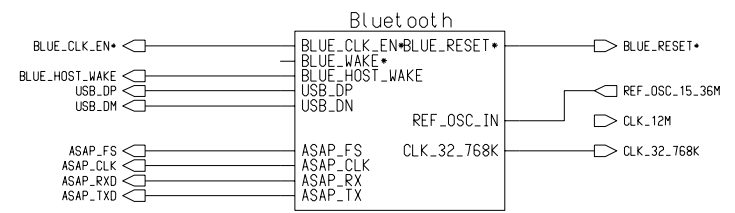
4 1 3 A

Engineer:	John S. Kerr		
Drawn by:	John S. Kerr		
R&D CHK:			
DOC CTRL CHK:			
MFG CTRL CHK:			
QA CHK:			
Changed by:	Date:	Page:	Of:
John Kerr	Wednesday, August 8, 2001	1	1

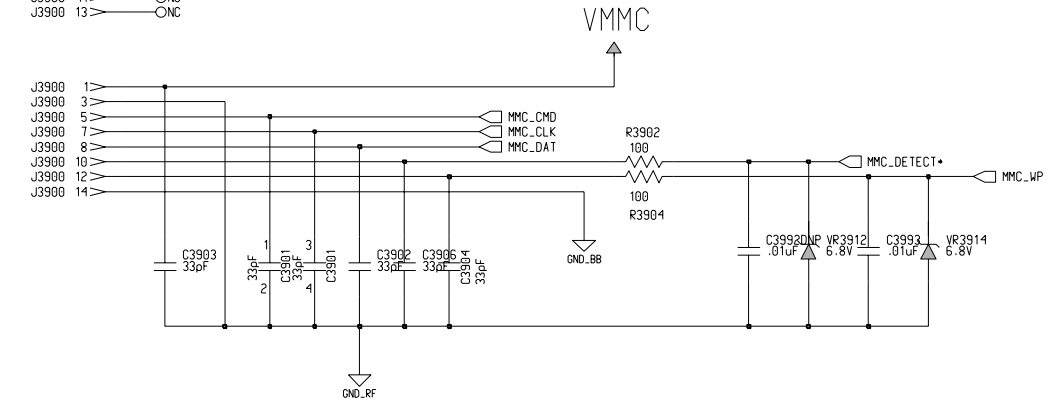


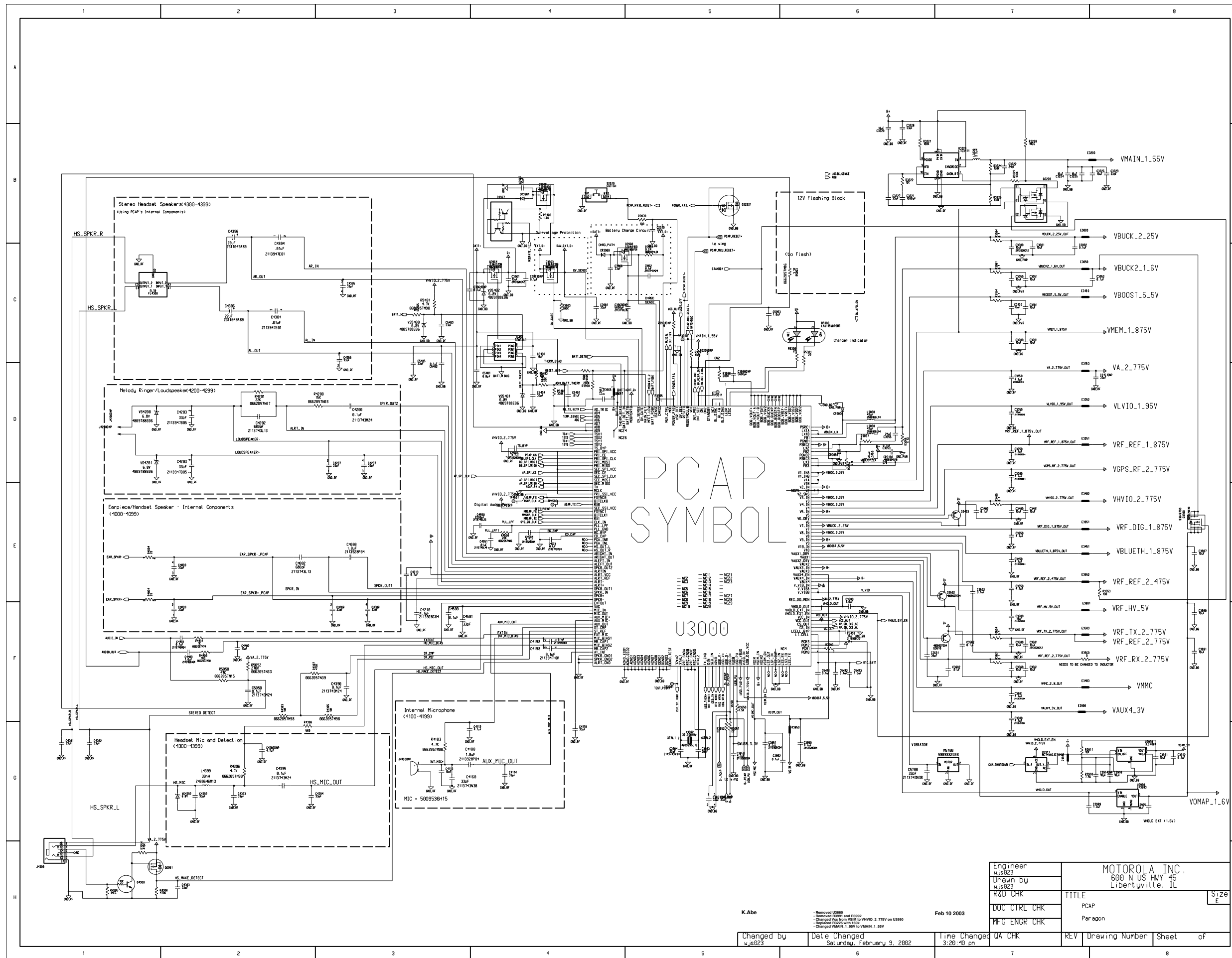
TITLE: TALON
USIM/BT Board Connector

Size: 11x21



- J3900 2V --- ONC
- J3900 4V --- ONC
- J3900 6V --- ONC
- J3900 9V --- ONC
- J3900 11V --- ONC
- J3900 13V --- ONC





PCAP
SYMBOL

U3000

Engineer wjs023	MOTOROLA INC. 600 N US HWY 45 Libertyville, IL	Size E
Drawn by wjs023		
R&D CHK		
DOC CTRL CHK		
MFG ENGR CHK	TITLE PCAP Paragon	

Changed by wjs023	Date Changed Saturday, February 9, 2002	Time Changed 3:20:40 pm	QA CHK	REV	Drawing Number	Sheet of
----------------------	--	----------------------------	--------	-----	----------------	-------------

K.Abe

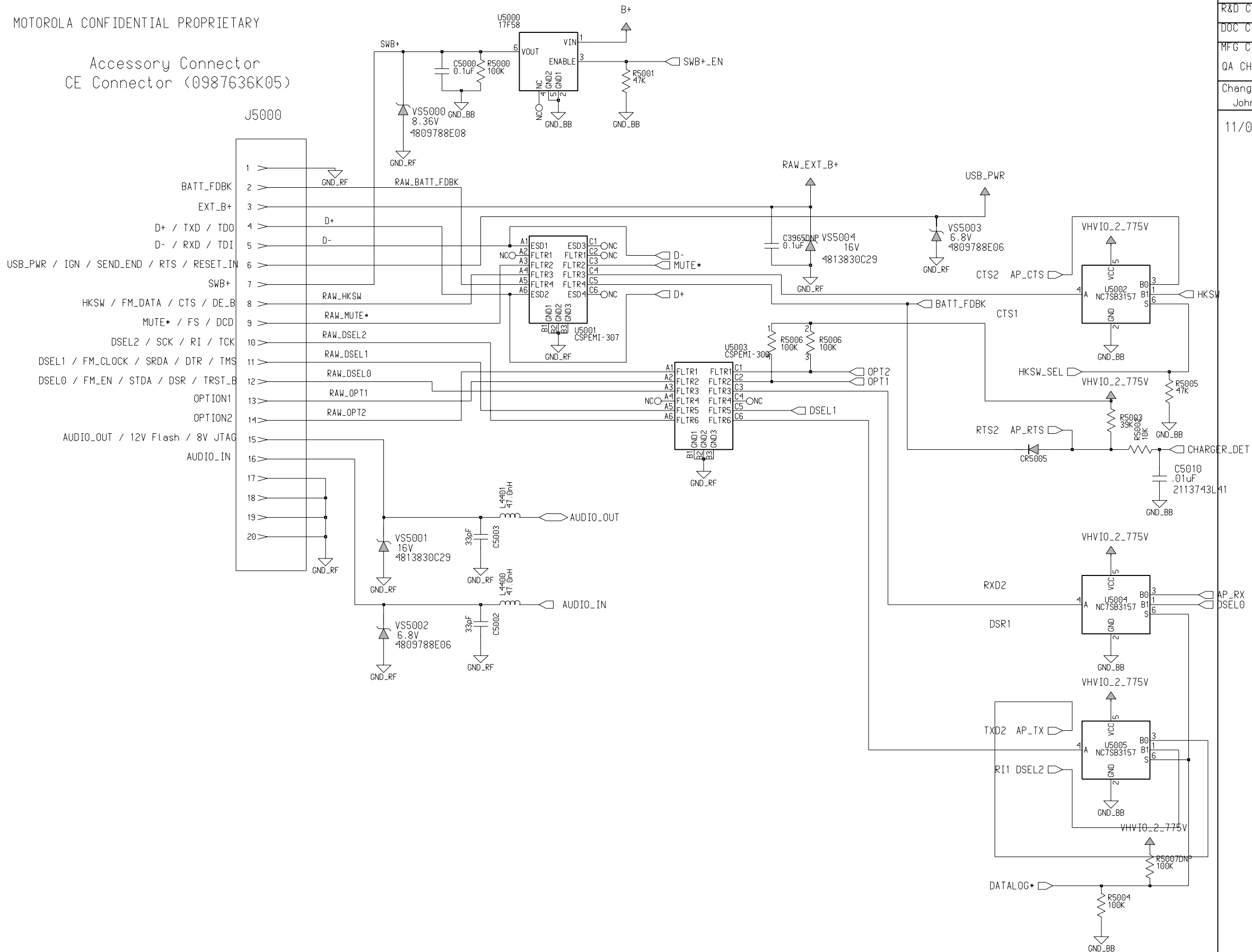
Feb 10 2003

- Removed U560
- Removed R501 and R502
- Changed Vcc from V5M to VHVIO_2_775V on U2990
- Replaced R522 with 100K
- Changed VMAIN_1_55V to VMAIN_1_55V

MOTOROLA CONFIDENTIAL PROPRIETARY

Accessory Connector CE Connector (0987636K05)

J5000



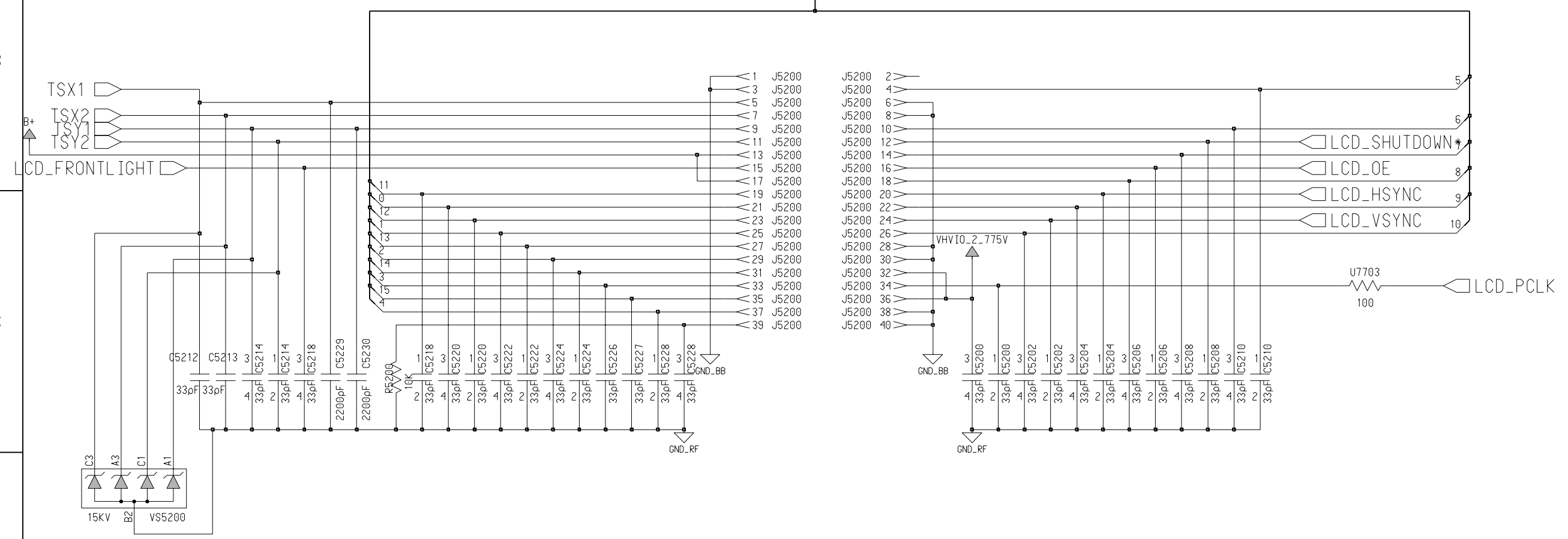
Engineer: John Kerr			
Drawn by:			
R&D CHK:	TITLE: PARAGON	Size:	
DOC CTRL CHK:	CE Accessory Connector		
MFG CTRL CHK:	REV:	Drawing Number:	Page: OF:
QA CHK:	Date: 11/01/01	Time:	
Changed by: John S. Kerr	11/01/01		

11/01/01 Changed bypass ground on Audio IN/OUT from BB to GND_RF.

4 1 3 A

Engineer: John Fitzsimons			
Drawn by: John Fitzsimons			
R&D CHK:	TI Title: Display Connector	11x17	Size:
DOC CTRL CHK:			
MFG CTRL CHK:			
QA CHK: w14184	REV: Friday, September 14, 2001	Drawing Number: 1	Page: 1 Of: 1 1:10:28 pm
Changed by:	Date:	Time:	

LCD_PIXEL (15:0)



1

2

3

4

1

2

3

4

MOTOROLA INTERNAL USE ONLY

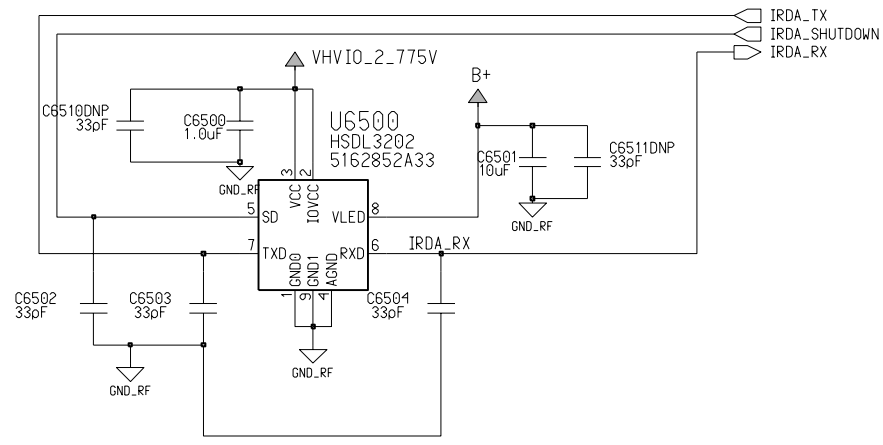
Engineer:	MOTOROLA INC.		
Drawn by:			
R&D CHK:	TITLE:	Size:	
DOC CTRL CHK:			
MFG CTRL CHK:			
QA CHK:	REV:	Drawing Number:	Page: OF:
Changed by:	Date:	Time:	

A

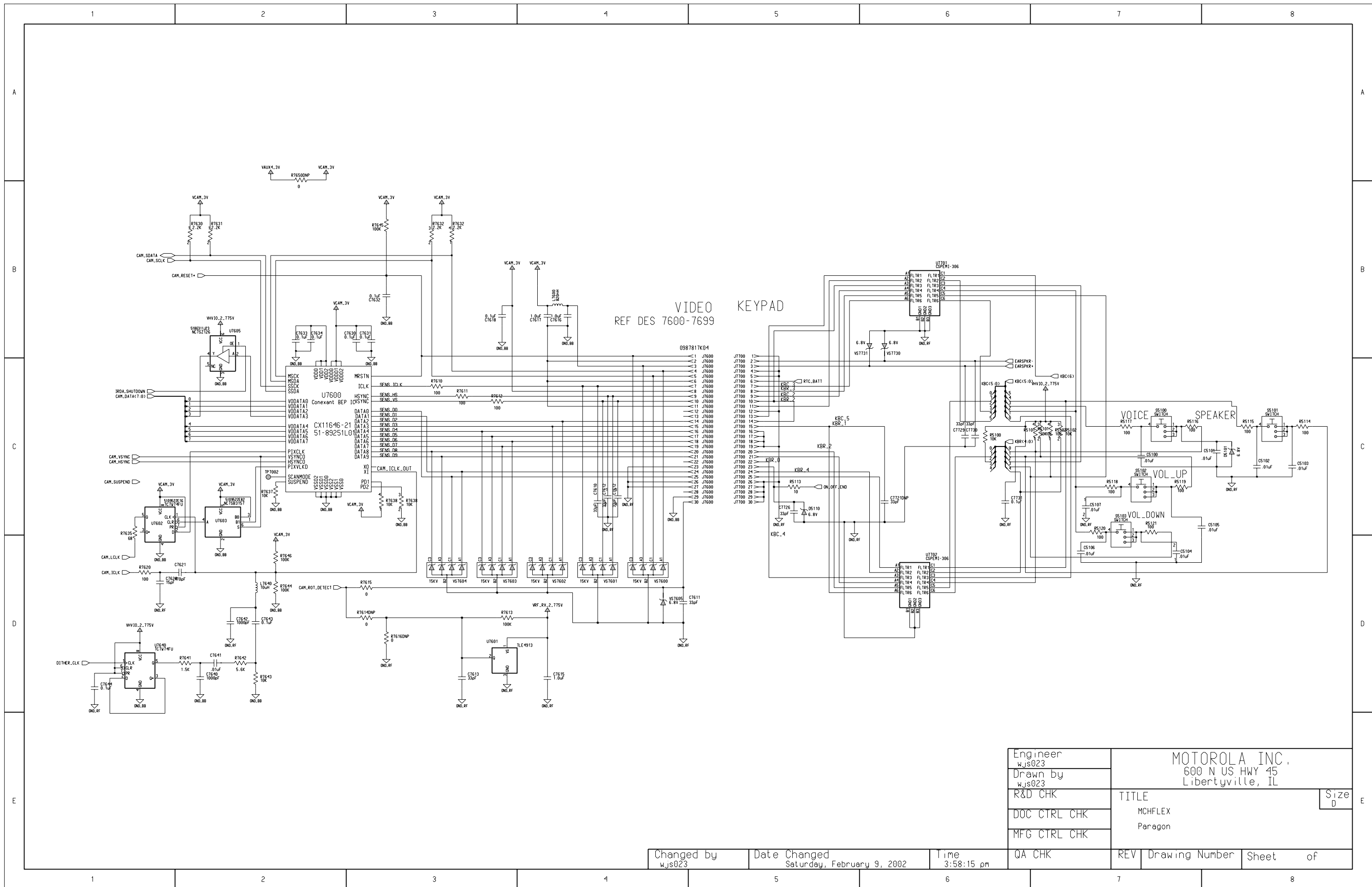
B

C

D



IRDA_TX
 IRDA_SHUTDOWN
 IRDA_RX



VIDEO
REF DES 7600-7699

KEYPAD

Engineer wjs023	MOTOROLA INC. 600 N US HWY 45 Libertyville, IL		
Drawn by wjs023			
R&D CHK	TITLE	Size D	
DOC CTRL CHK	MCHFLEX		
MFG CTRL CHK	Paragon		
QA CHK	REV	Drawing Number	Sheet of

Changed by wjs023	Date Changed Saturday, February 9, 2002	Time 3:58:15 pm
----------------------	--	--------------------

