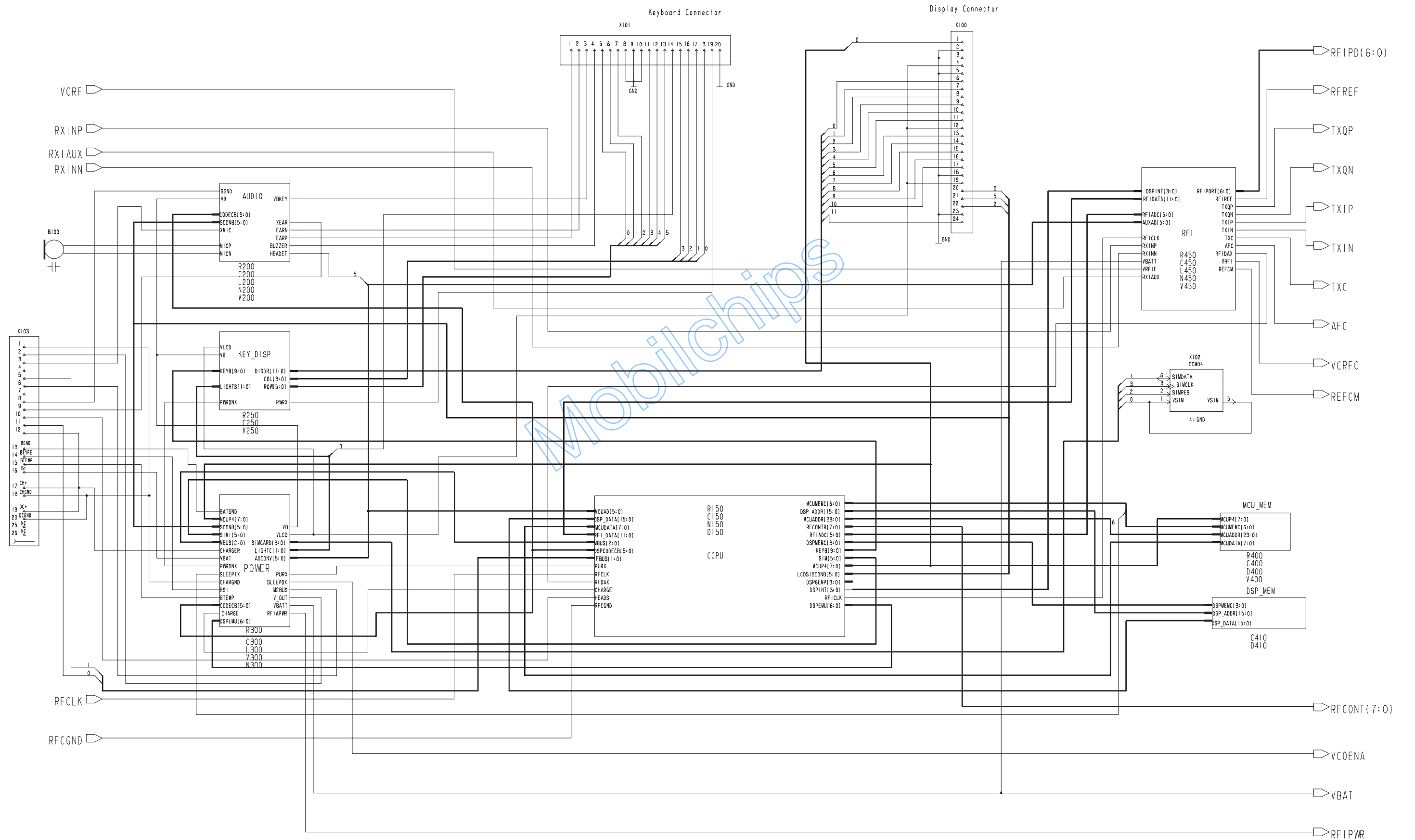
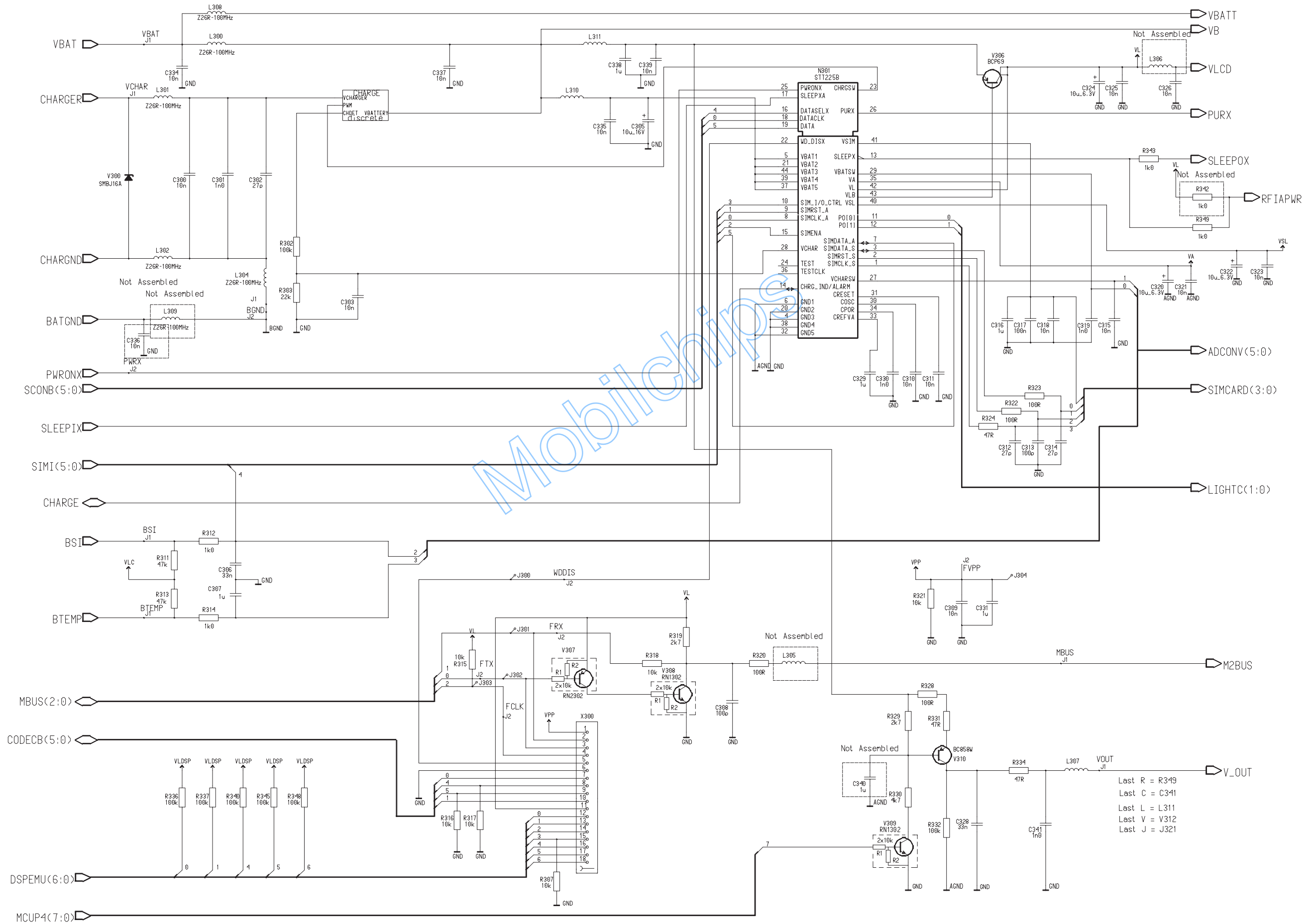


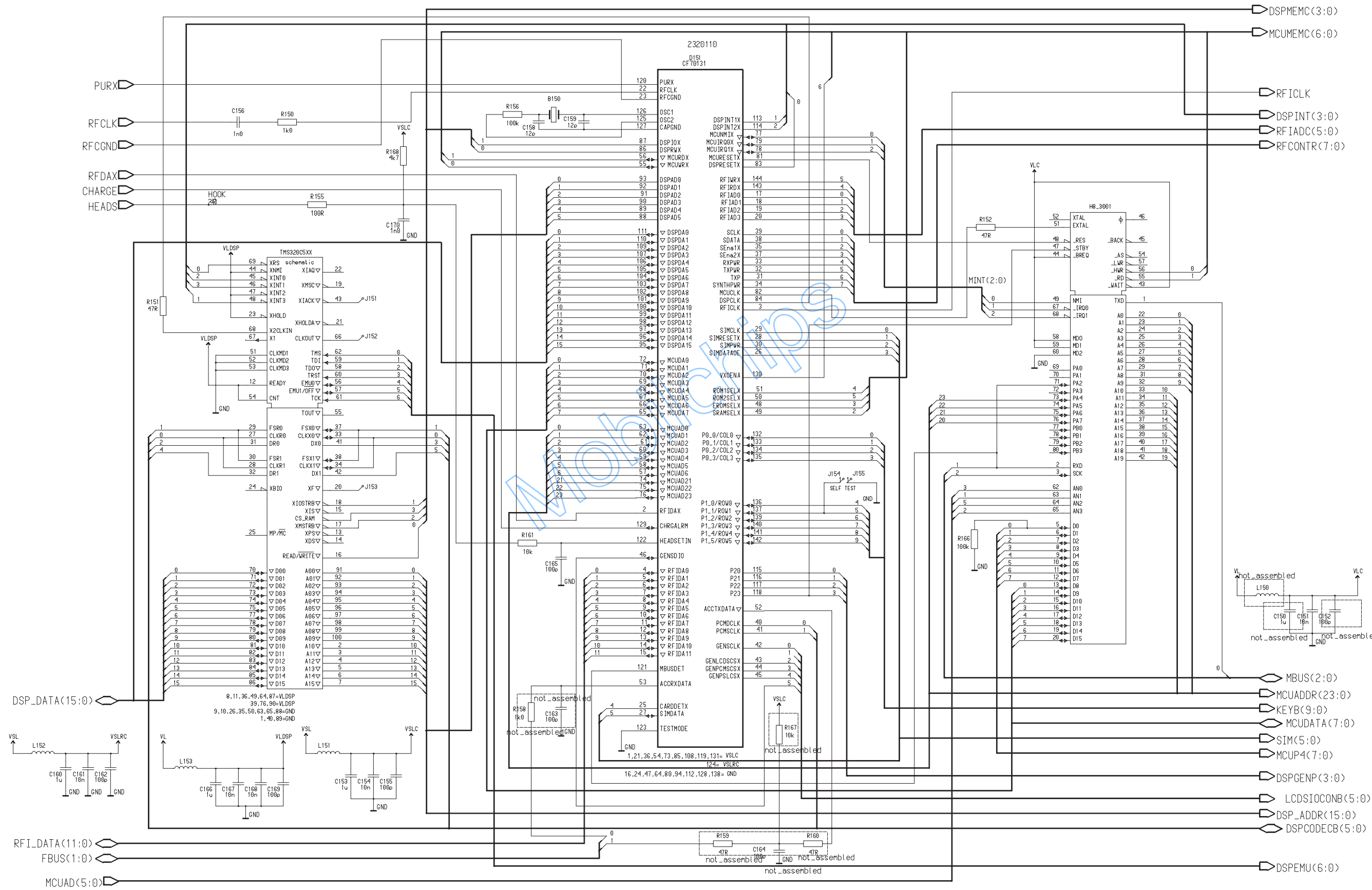
**Block Diagram of Baseband** (Version: 1.2 V: 3.0 E: 122)



**Circuit Diagram of Power Supply & Charging** (Version 3.0 ; Edit 178)

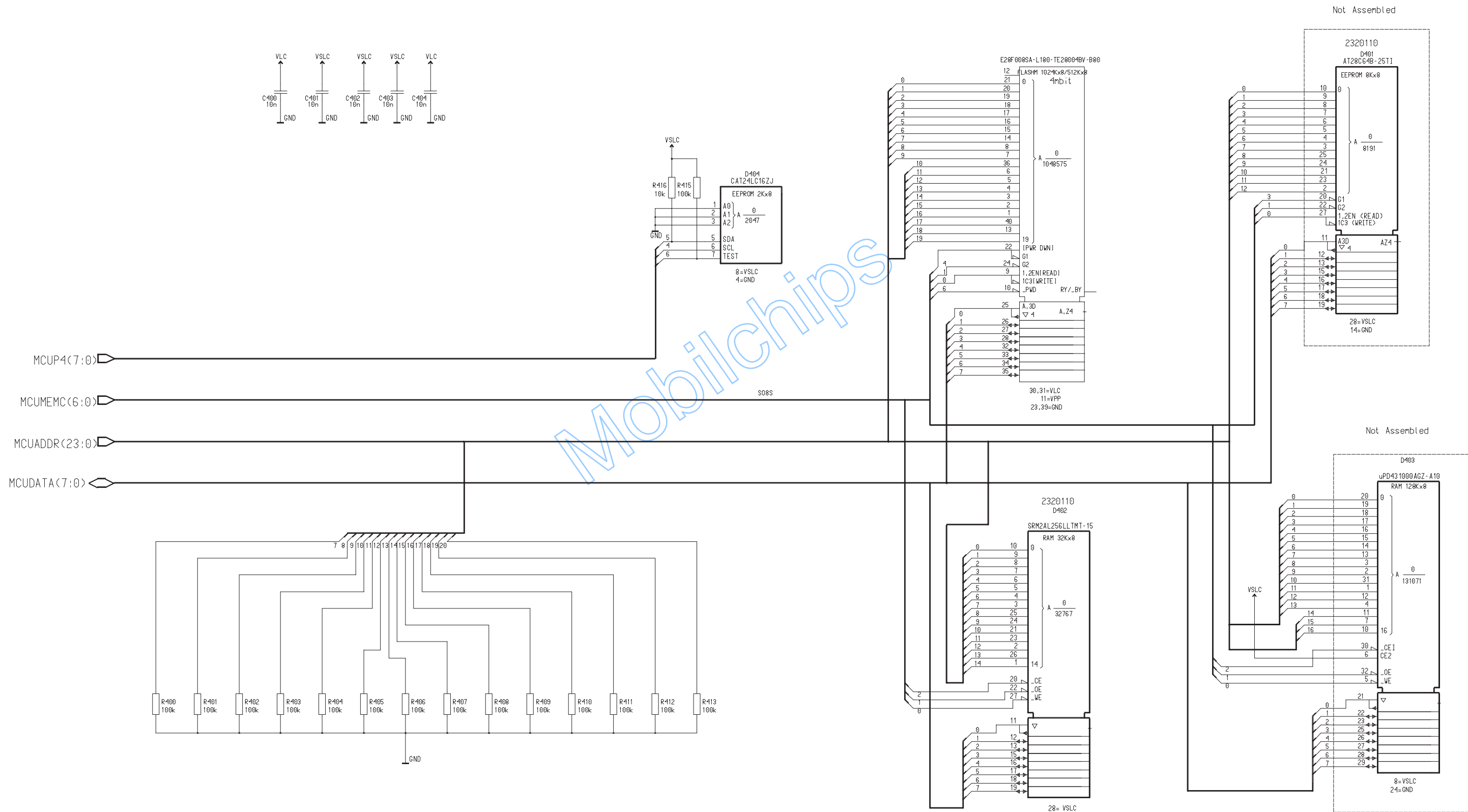


**Circuit Diagram of Central Processing Unit** (Version: 3.0 ; Edit 151)



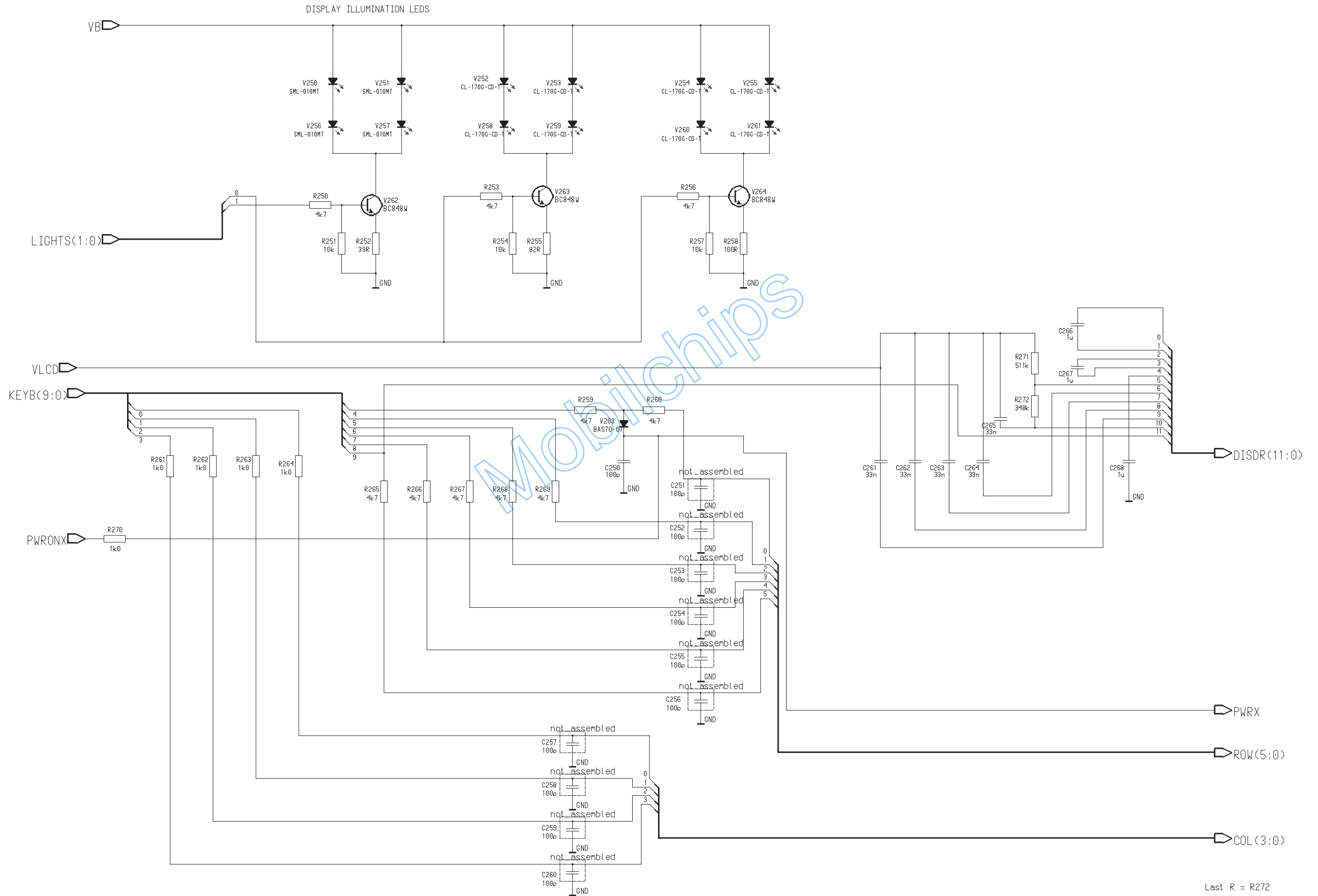
Last L = L153  
 Last C = C170  
 Last R = R170  
 Last D = D152  
 Last J = J155

**Circuit Diagram of MCU Memory Block** (Version: 3.0 ; Edit 87)



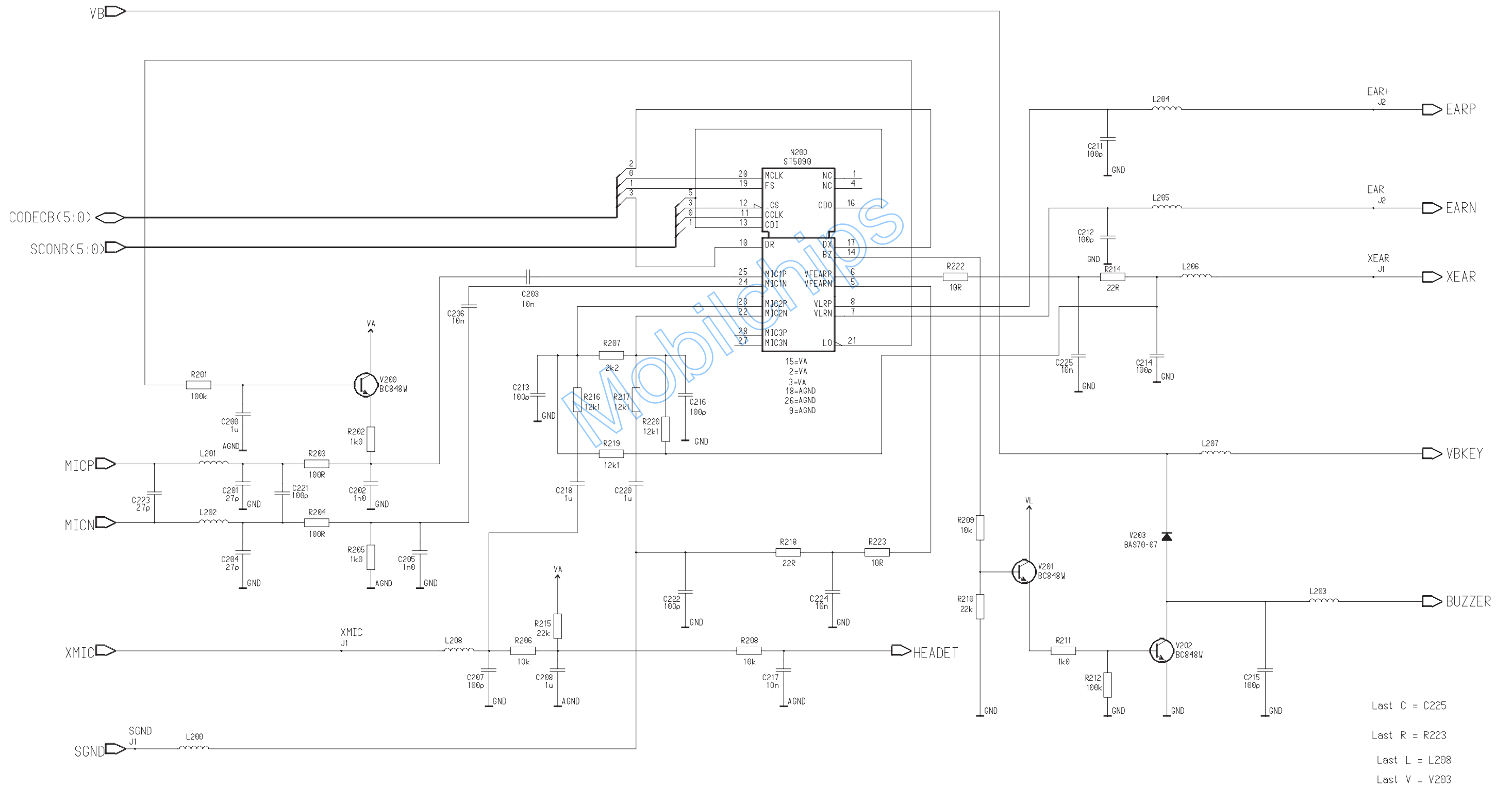
Last R = R416  
 Last C = C404

### Circuit Diagram of Keyboard & Display Interface (Version: 3.0 ; Edit 72)

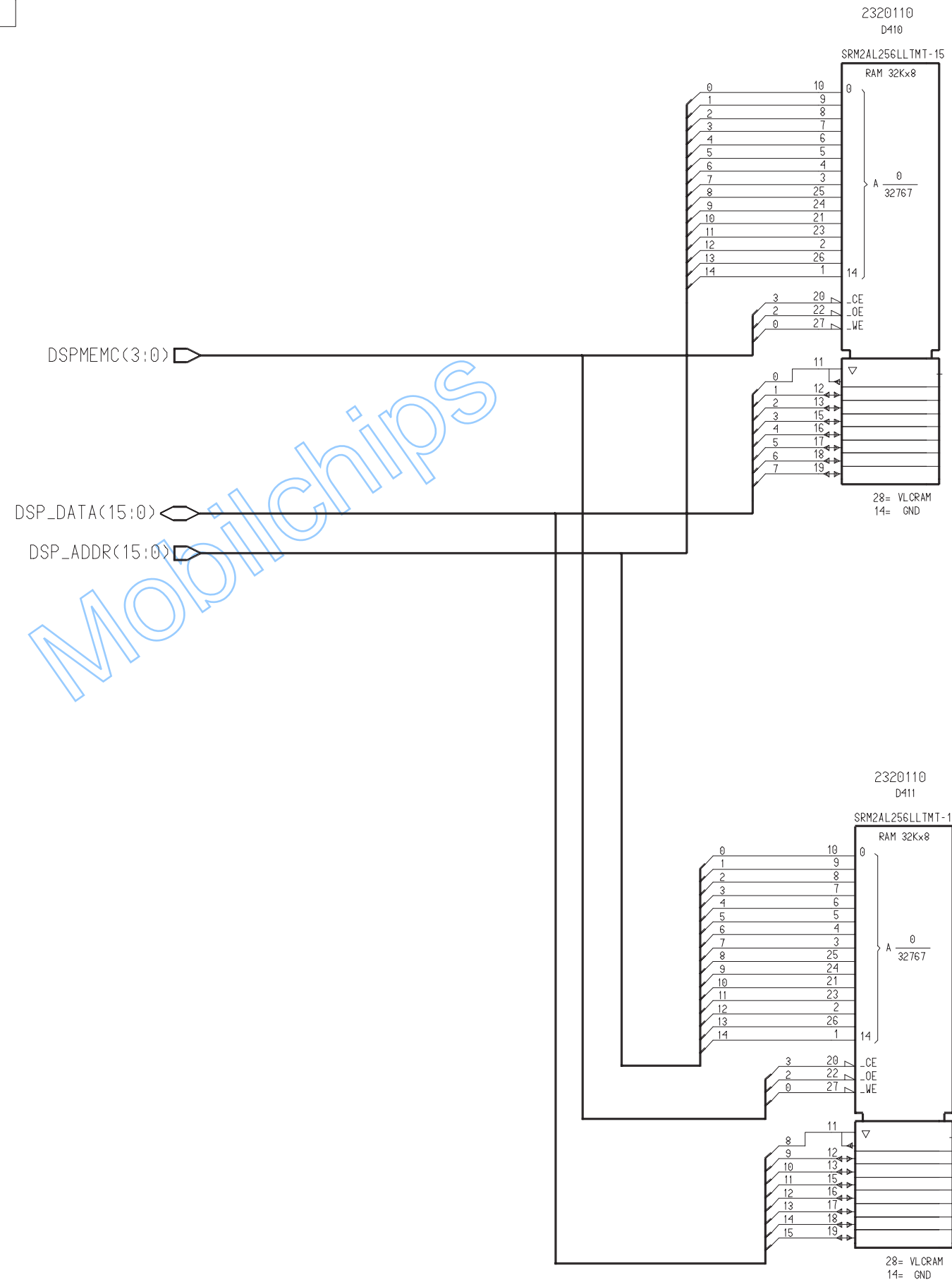
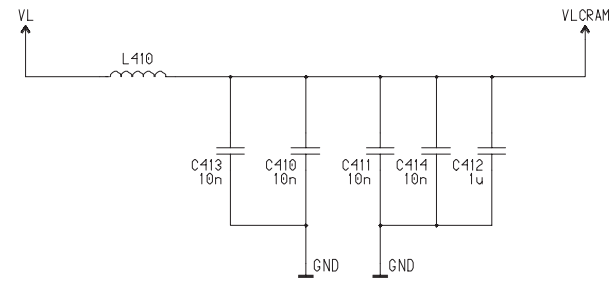


Last R = R272  
 Last C = C268  
 Last V = V264

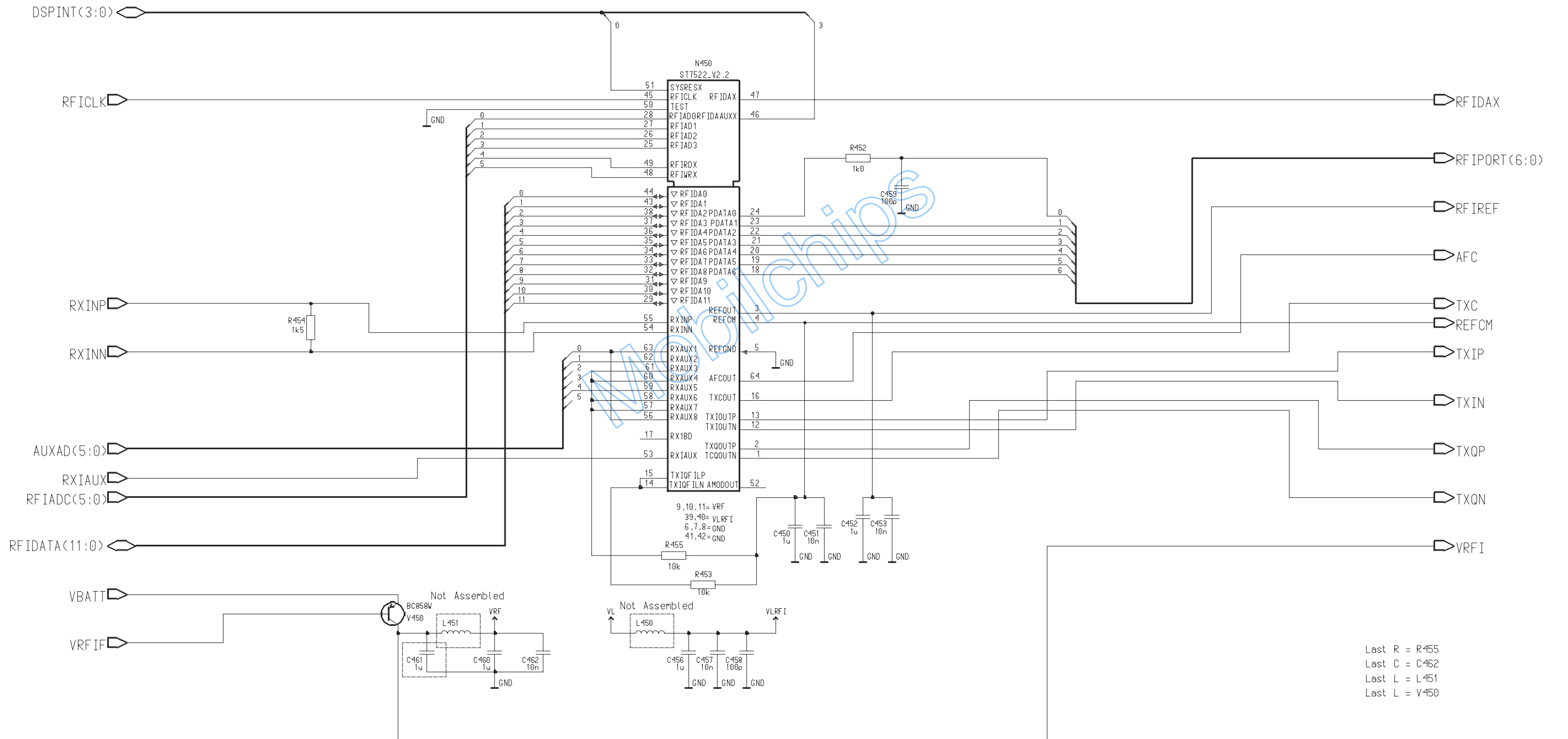
**Circuit Diagram of Audio** (Version: 3.4 ; Edit 116)



**Circuit Diagram of DSP Memory Block** (Version: 3.0 ; Edit 53)

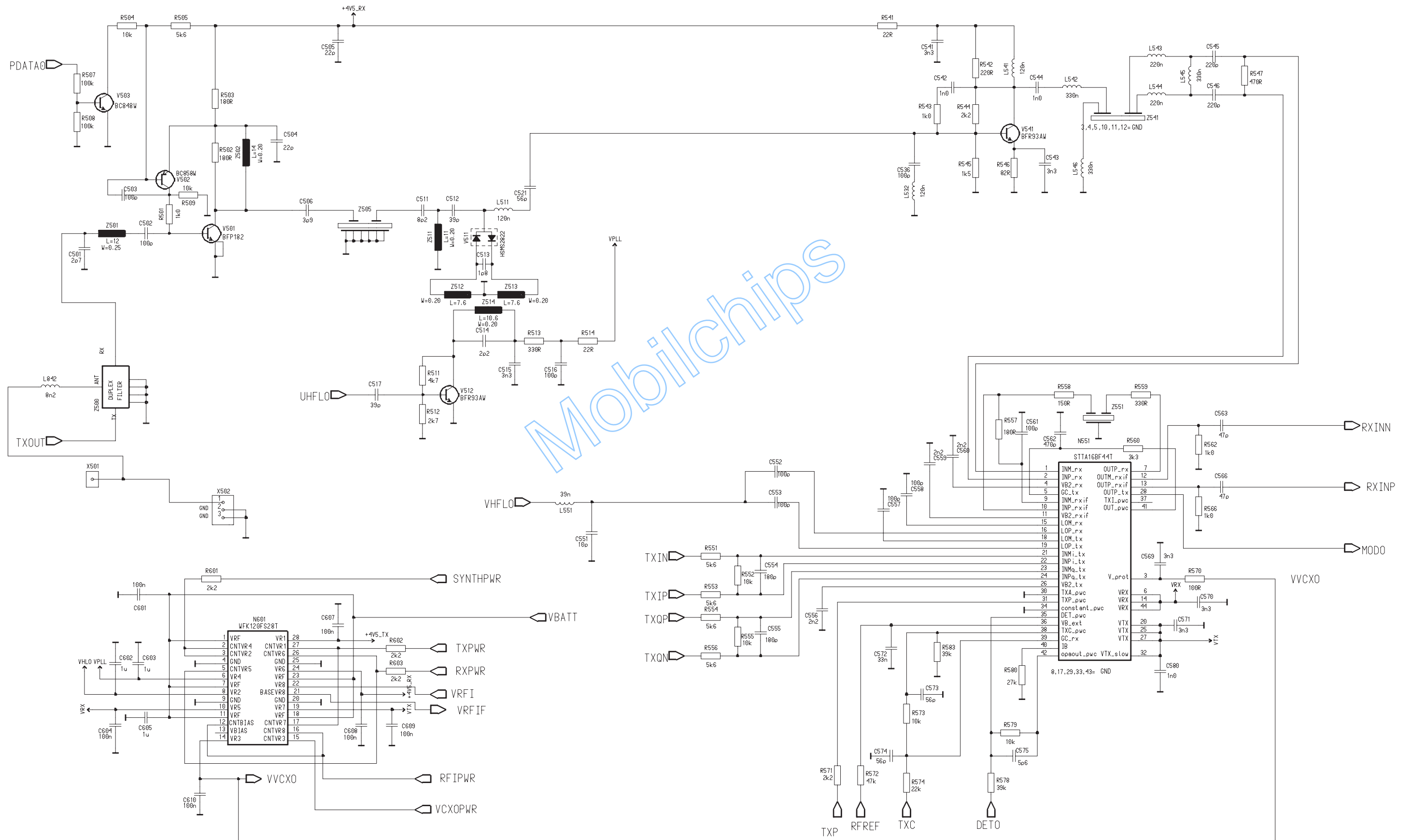


**Circuit Diagram of RFI** (Version: 3.0 ; Edit 76)

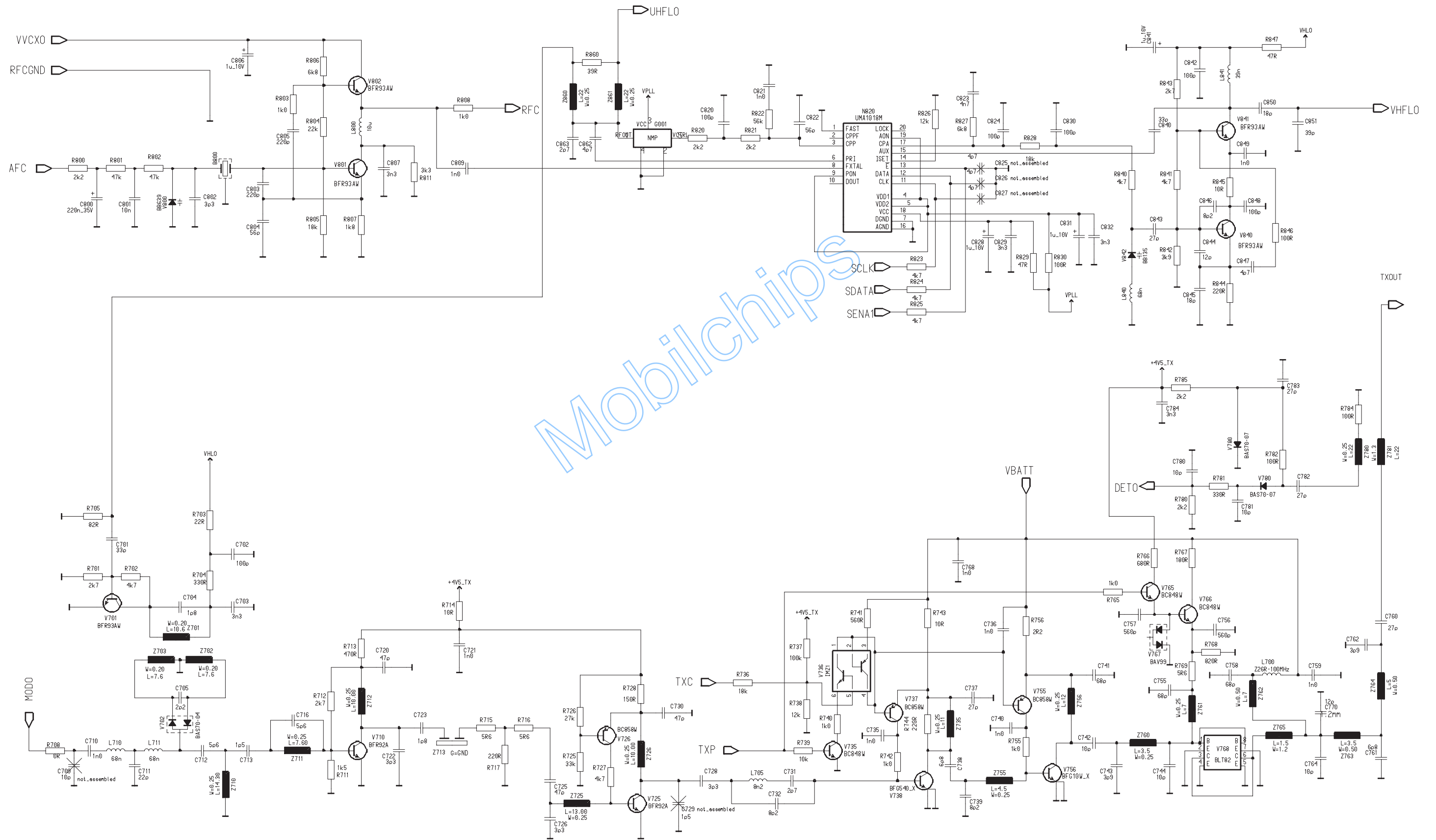




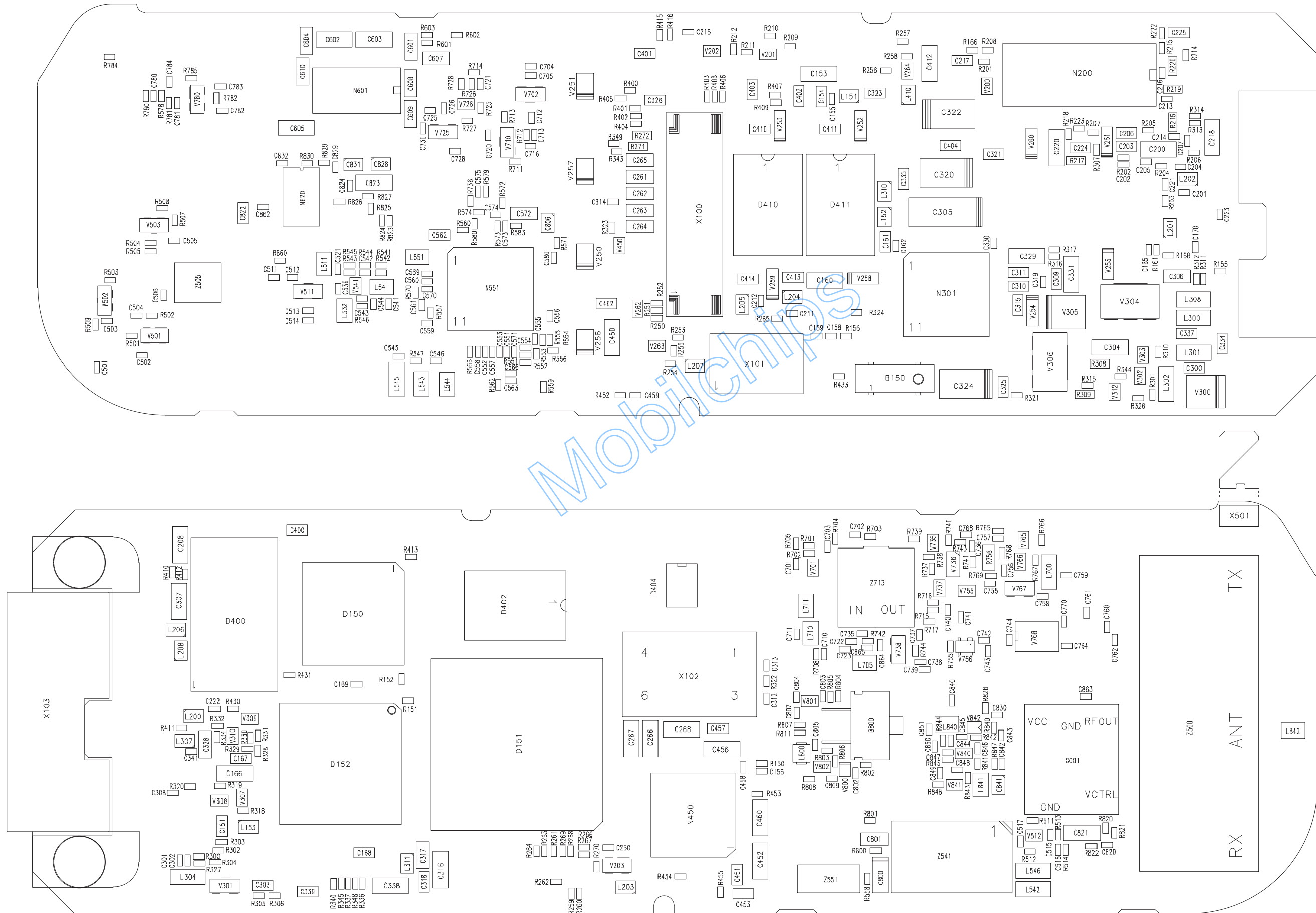
**Circuit Diagram of Receiver** (Version: 3.8 ; Edit 205)



**Circuit Diagram of Transceiver** (Version: 3.8 ; Edit 235)



### Layout Diagrams of GT8 (Version: 18)



### Layout Diagrams of GT8 (Version: 20)

