

# Service Schematics

## NOKIA 2650 RH-53

### Introduction

#### IMPORTANT:

This document is intended for use by authorized NOKIA service centers only.

“Service Schematics” was created with focus on customer care. The purpose of this document is to provide further technical repair information for NOKIA mobile phones on Level 3/4 service activities. It contains additional information such as e.g. “Component finder”, “Frequency band table” or “Antenna switch table”. The “Signal overview” page gives a good and fast overview about the most important signals and voltages on board. Saving process time and improving the repair quality is the aim of this document. It is to be used additionally to the service manual and other training or service information such as Service Bulletins.

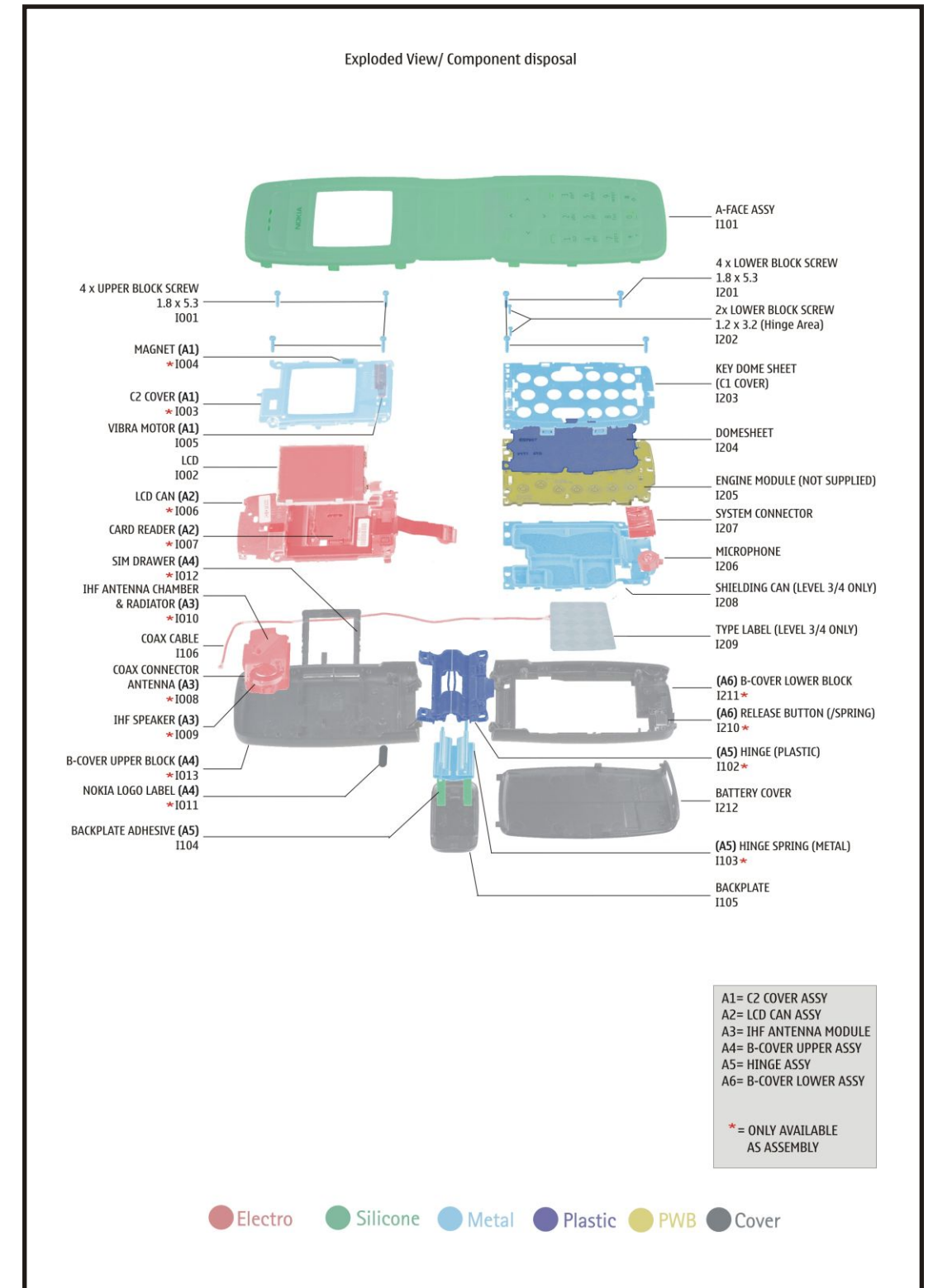
#### All measurements were made using following equipment:

Nokia repair SW	: Phoenix version A14 2004.16.4.47
Oscilloscope	: Fluke PM 3380A/B
Spectrum Analyzer	: Advantest R3162 with an analog probe
RF-Generator / GSM Tester	: Rhode & Schwarz CMU 200
Multimeter	: Fluke 73 Series II



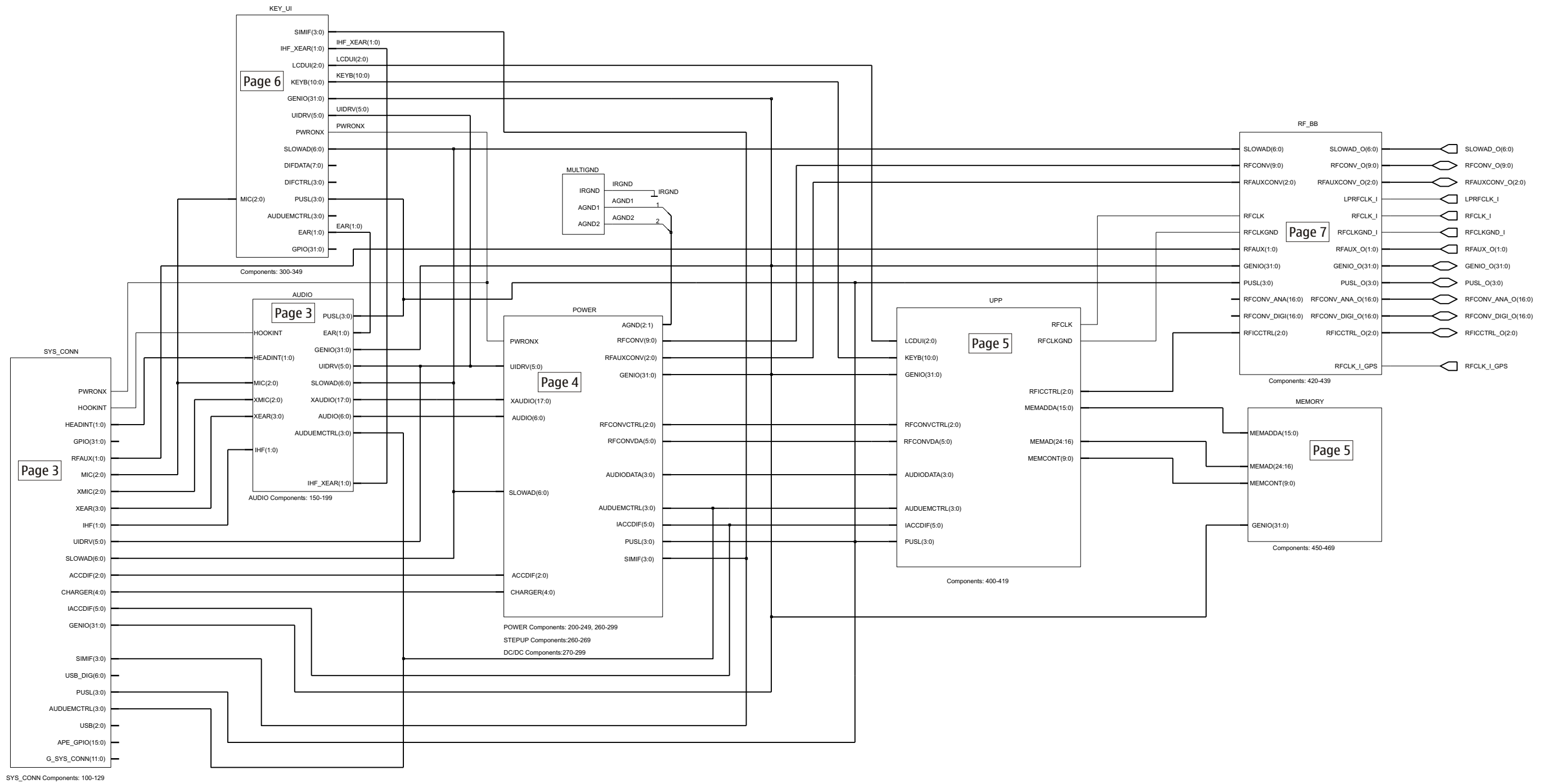
Table of Contents	Page
Frontpage	1
DCT-4 common baseband	2
System connector, Audio	3
UEMK	4
UPP, Combo memory	5
UI, B to B connector, Keyboard	6
RF part	7
Signal overview	8
Component finder	9

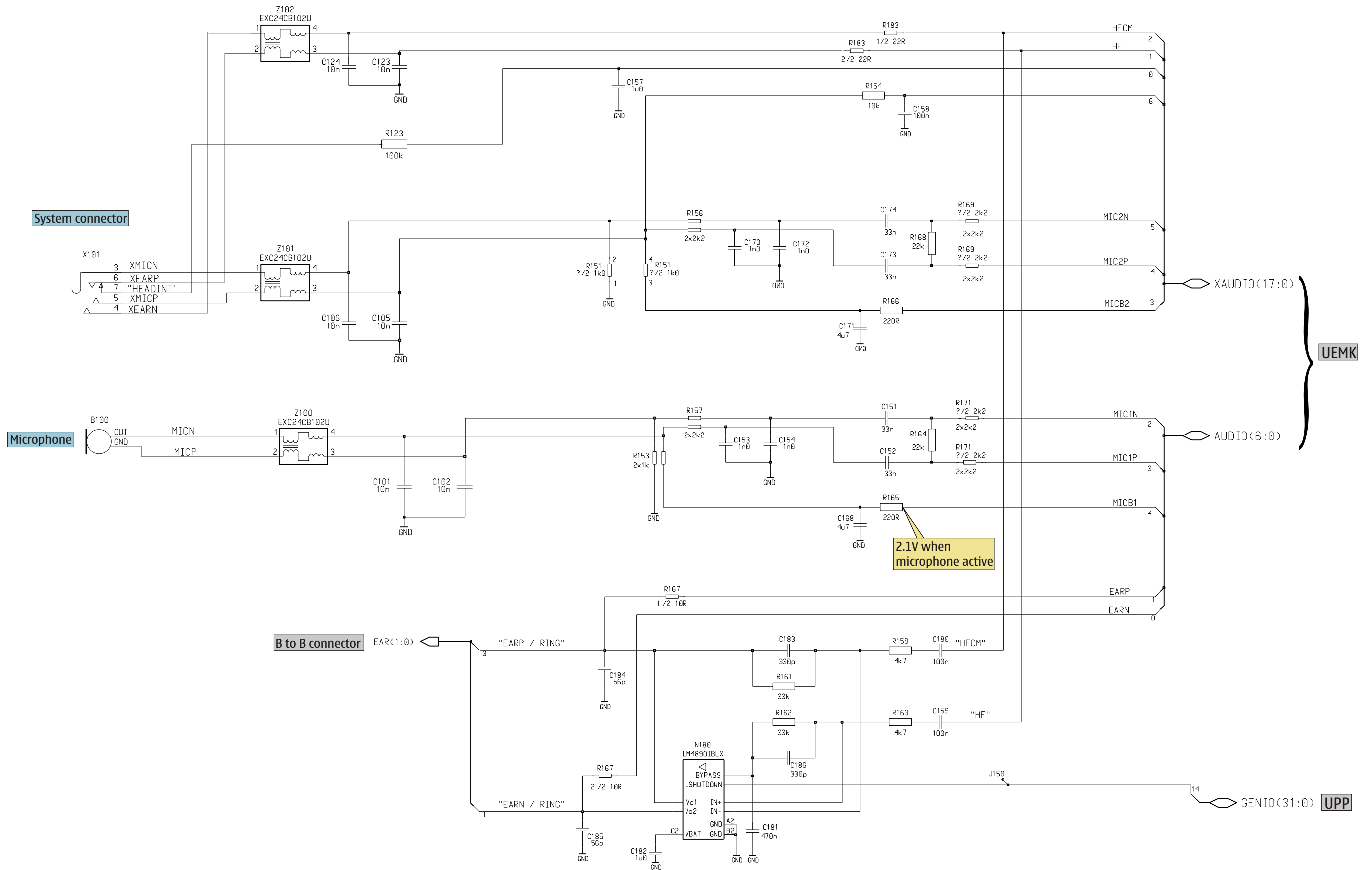
### Exploded view and component disposal

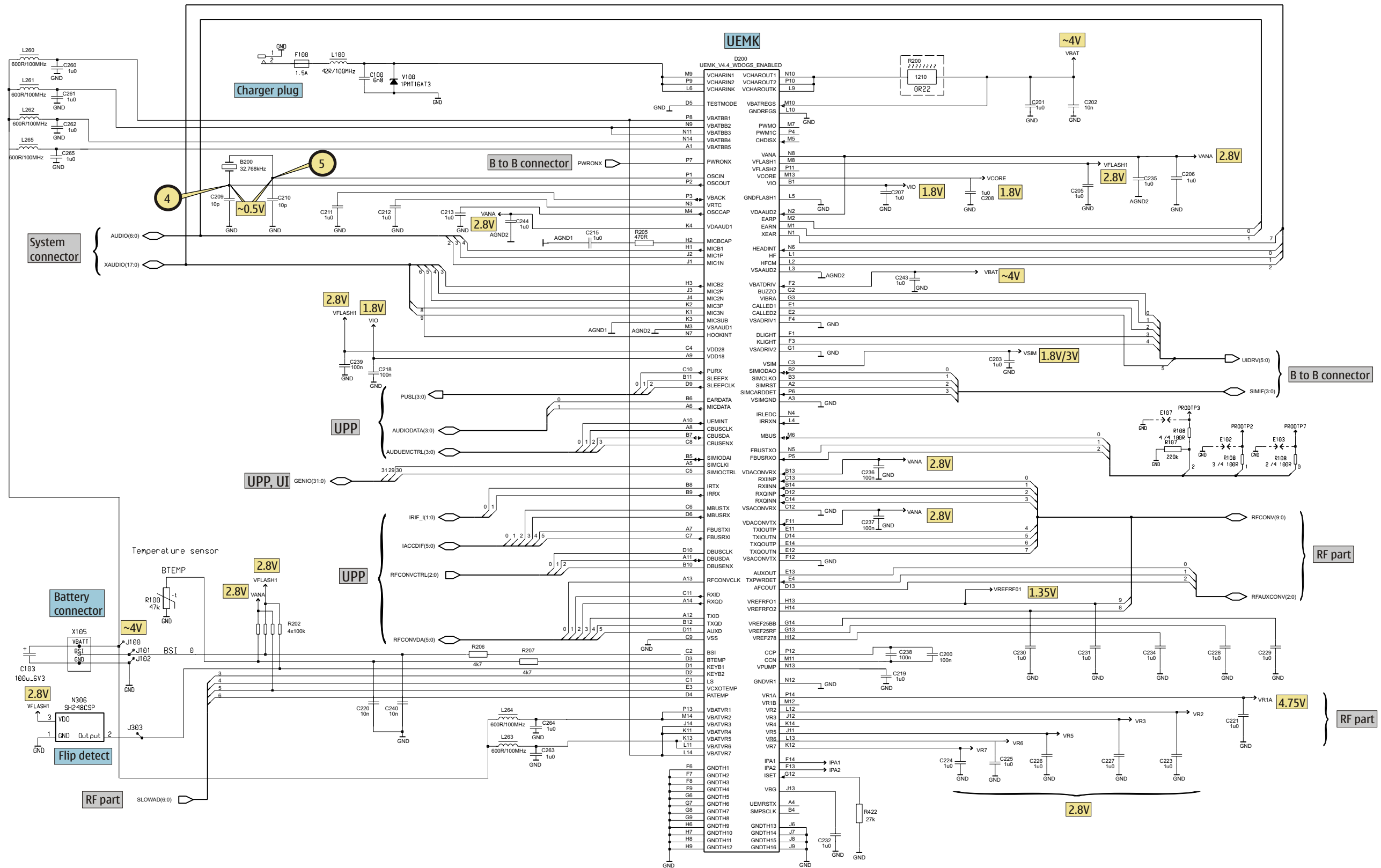


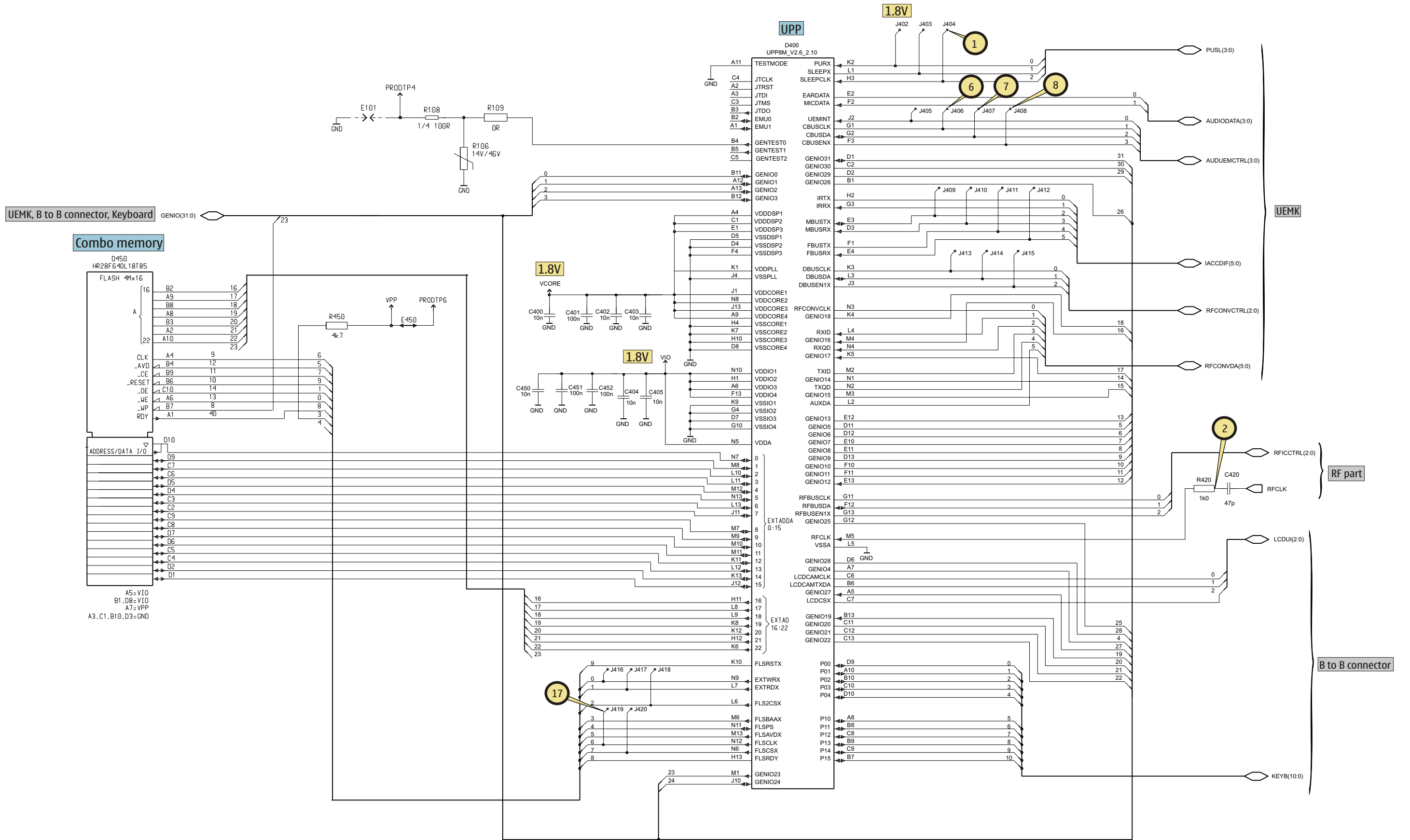
Copyright © NOKIA

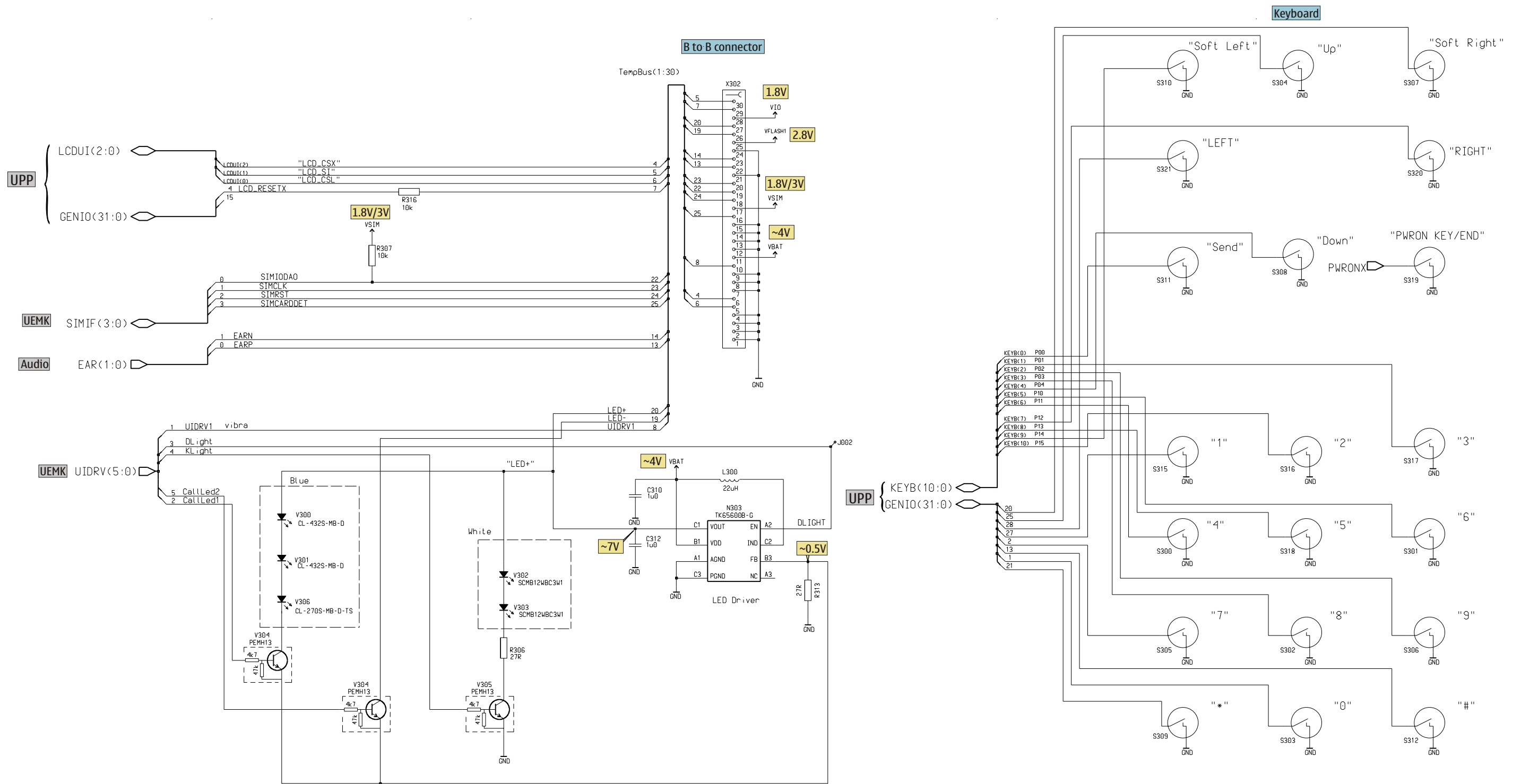
This material, including documentation and any related computer programs is protected by copyright, controlled by NOKIA. All rights are reserved. Copying, including reproducing, modifying, storing, adapting or translating any or all of this material requires the prior written consent of NOKIA. This material also contains confidential information, which may not be disclosed to others without the prior written consent of NOKIA.



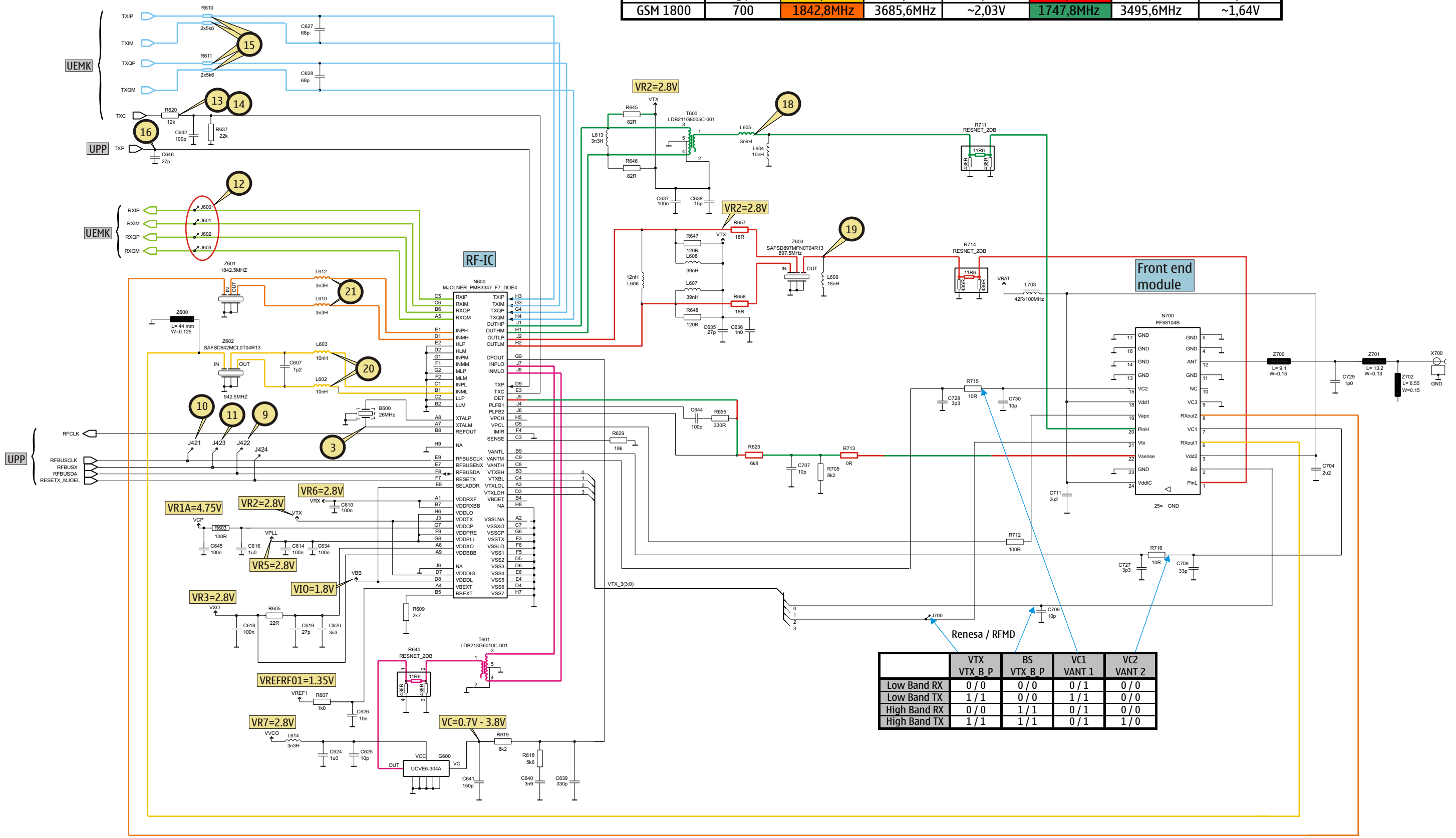




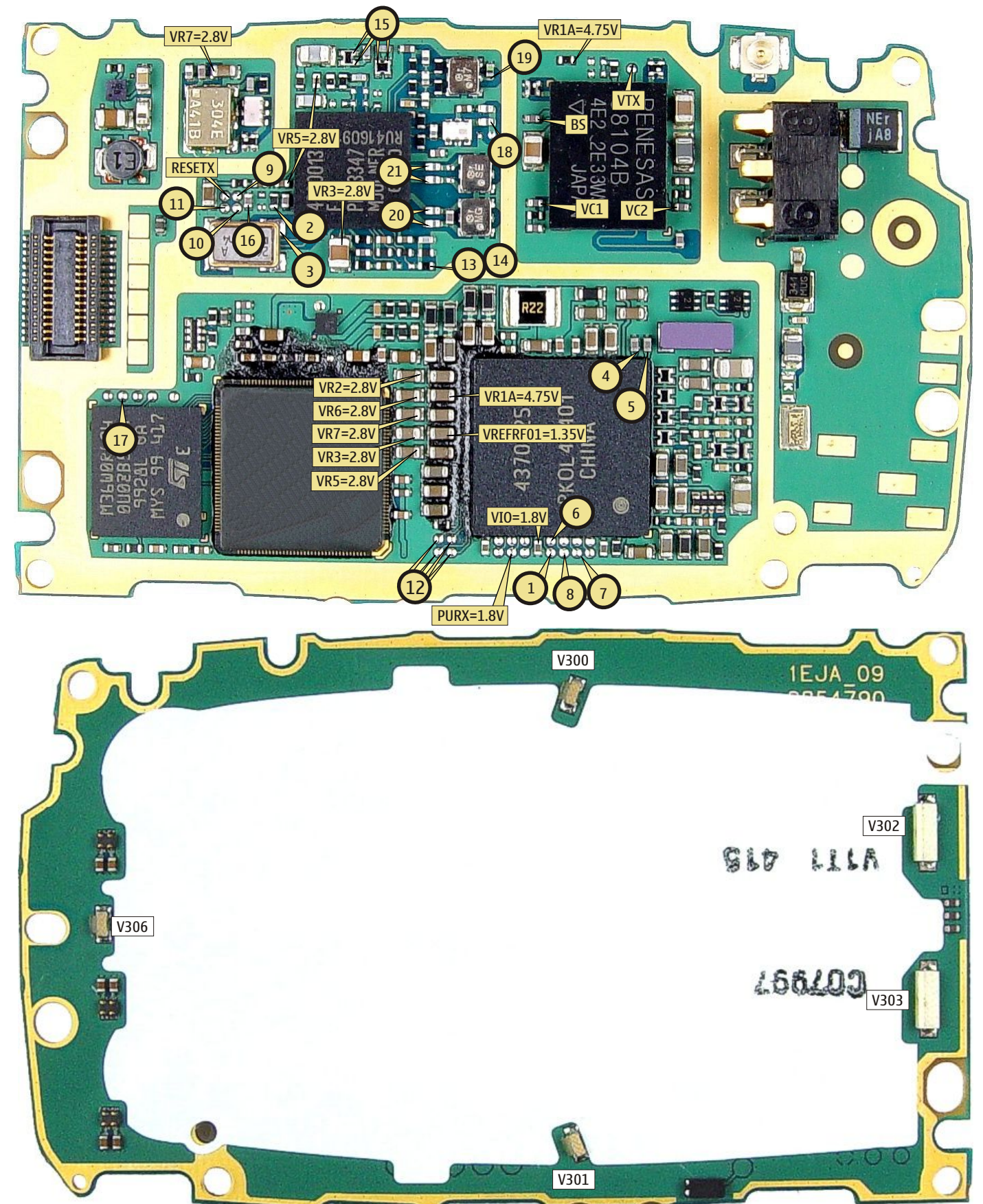
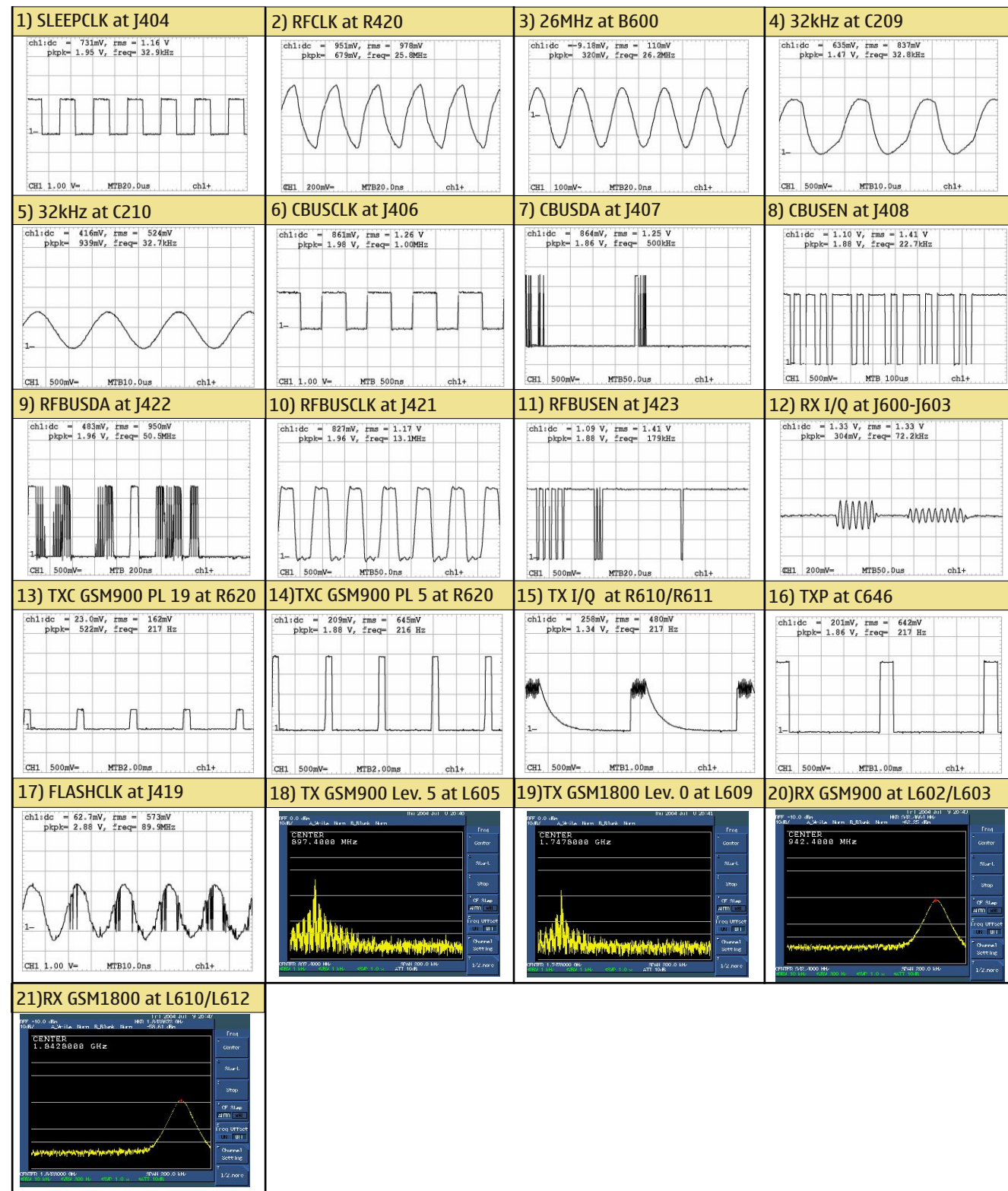




Band	Channel	RX	VCO/RX	VC/RX	TX	VCO/TX	VC/TX
GSM 900	37	942,4MHz	3769,6MHz	~2,77V	897,4MHz	3589,6MHz	~2,43V
GSM 1800	700	1842,8MHz	3685,6MHz	~2,03V	1747,8MHz	3495,6MHz	~1,64V



	VTX VTX_B P	BS VTX_B P	VC1 VANT 1	VC2 VANT 2
Low Band RX	0 / 0	0 / 0	0 / 1	0 / 0
Low Band TX	1 / 1	0 / 0	1 / 1	0 / 0
High Band RX	0 / 0	1 / 1	0 / 1	0 / 0
High Band TX	1 / 1	1 / 1	0 / 1	1 / 0





B	C181	F4	C224	F4	C312	C8	C618	F6	C707	I8	J402	H2	J482	H2	L604	G8	R153	K4	R420	E6	R657	G8	X700	K9	
B200	J5	C182	E5	C225	F4	C313	A5	C619	F6	C708	H6	J403	H2	J483	H2	L605	G8	R154	K3	R422	G2	R658	G8	X900	L3
B600	D6	C183	F5	C226	F3	C314	A5	C620	E6	C709	H8	J404	H2	J484	H2	L606	G8	R156	K3	R426	E4	R705	I8	Z	
C	C184	D5	C227	F3	C315	A5	C621	D6	C711	J8	J405	H2	J485	I2	L607	G8	R157	K4	R450	C4	R711	J8	Z600	I6	
C101	M6	C185	D5	C228	G3	C316	A5	C624	D8	C727	H6	J406	H2	J486	H2	L608	G8	R159	F5	R603	D7	R712	I8	Z601	G7
C102	M6	C186	F5	C229	G2	C317	D4	C625	D8	C728	J7	J407	I2	J487	I2	L609	H8	R160	F5	R605	F6	R713	I8	Z602	G6
C103	M7	C200	H5	C230	G2	C318	D5	C626	F6	C729	J6	J408	I2	J488	I2	L610	G7	R161	F5	R607	F6	R714	H8	Z603	G8
C105	M2	C201	H4	C231	G3	C319	C2	C627	F9	C730	J6	J409	I2	J489	G2	L612	G7	R162	F5	R609	F6	R715	J7	Z700	I6
C106	M2	C202	H4	C232	G4	C400	F2	C628	F8	D	J410	I2	J600	G2	L613	G7	R164	J4	R610	F8	R716	H6	Z701	K7	
C123	M4	C203	J2	C234	G3	C401	F2	C632	G7	D200	I3	J411	I2	J601	G2	L614	C8	R165	K4	R611	F8	T	Z702	K8	
C124	M4	C205	I5	C235	J4	C402	F4	C633	F8	D400	E3	J412	I2	J602	G2	L703	J7	R166	K3	R618	E8	T600	G7		
C151	J4	C206	I5	C236	G2	C403	E4	C634	E8	D450	C3	J413	H2	J603	G2	N	R167	J4	R619	D8	T601	D8			
C152	J3	C207	J2	C237	I4	C404	F3	C635	F9	F	J414	H2	J700	I8	N180	E5	R168	J3	R620	G6	V				
C153	K3	C208	F4	C238	H4	C405	D4	C636	F8	F100	L4	J415	H2	L	N303	B8	R169	J3	R621	E8	V100	L5			
C154	K4	C209	J4	C239	I2	C420	E6	C637	G8	G	J416	C4	L100	L4	N306	E1	R171	J4	R622	F8	V300	F8			
C157	J2	C210	J4	C240	J2	C426	D4	C638	G7	G600	D8	J417	C4	L260	G5	N600	F7	R183	J4	R623	E8	V301	F2		
C158	K3	C211	I5	C243	J3	C450	C2	C639	E8	J	J418	E4	L261	H5	N700	I7	R200	H5	R629	F6	V302	B6			
C159	G5	C212	I5	C244	J2	C451	D2	C640	E8	J002	B4	J419	B4	L262	G5	R	R202	K2	R637	G6	V303	B4			
C168	K4	C213	J4	C260	G5	C452	B2	C641	D8	J100	M7	J420	C4	L263	I5	R100	C6	R205	J3	R638	F6	V304	K5		
C170	K3	C215	J3	C261	H5	C454	C4	C642	G6	J101	M6	J421	D6	L264	G5	R106	D5	R206	J2	R640	D7	V305	J5		
C171	K2	C218	H2	C262	G4	C607	G6	C643	G7	J102	M6	J422	D7	L265	J2	R107	D5	R207	K2	R645	G8	V306	M5		
C172	K3	C219	G4	C263	I5	C610	F6	C644	F8	J150	E5	J423	D6	L300	B7	R108	C5	R306	K5	R646	G7	X			
C173	J3	C220	K2	C264	G4	C614	E7	C645	D7	J300	C6	J424	D7	L301	C8	R109	D5	R307	I2	R647	F8	X105	L7		
C174	J3	C221	G4	C265	J2	C616	D7	C646	D6	J303	D1	J480	H2	L602	G6	R123	K2	R313	B8	R648	F8	X302	B5		
C180	G5	C223	F4	C310	B8	C617	F8	C704	H7	J396	C5	J481	G2	L603	G6	R151	K3	R316	C2	R655	E8	X470	B2		

