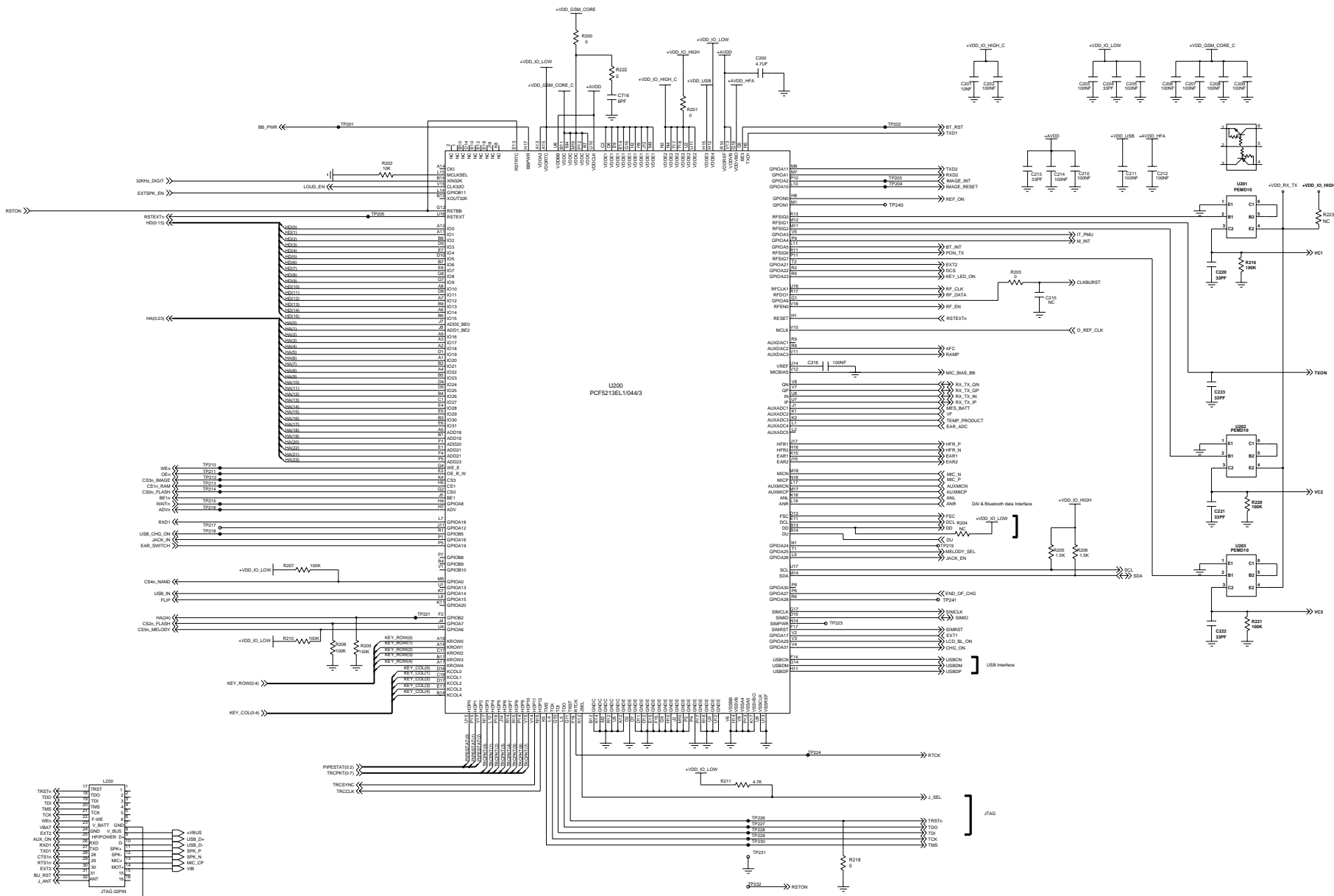
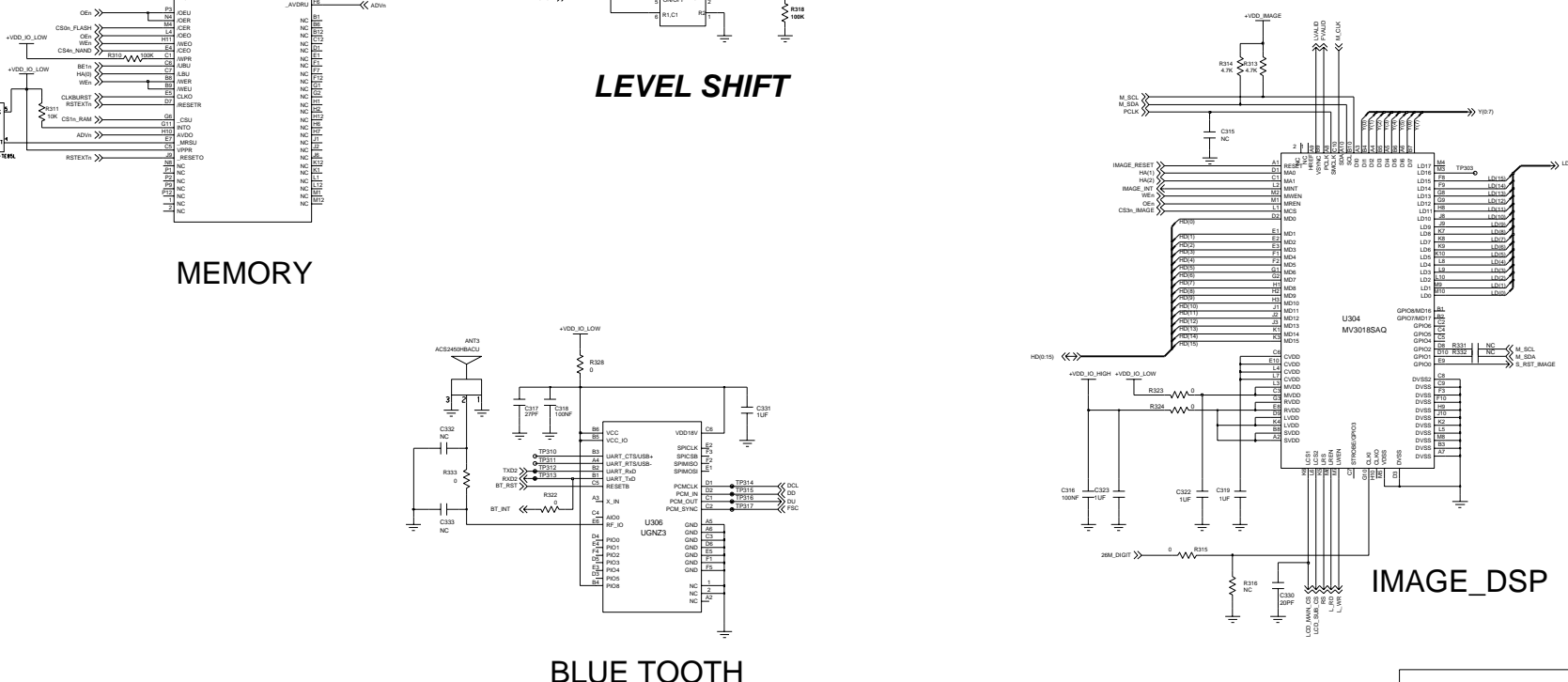
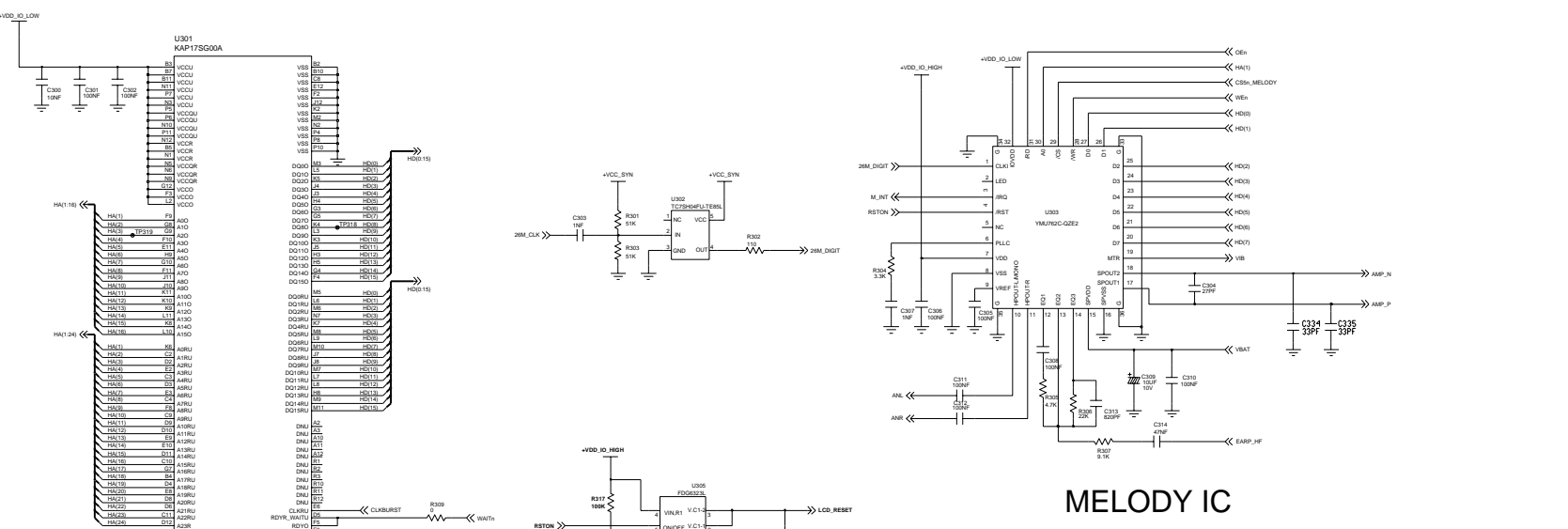


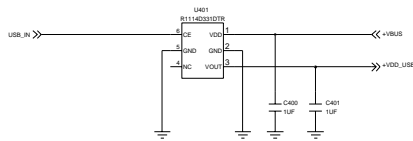
	FE5W1	FE5W2	FE5W3
Tx(GSM900)	H	L	L
Tx(DCS1800/1900)	L	H	L(H)
Rx(GSM900)	L	L	L
Rx(DCS 1800)	L	L	L
Rx(PCS1900)	L	L	H



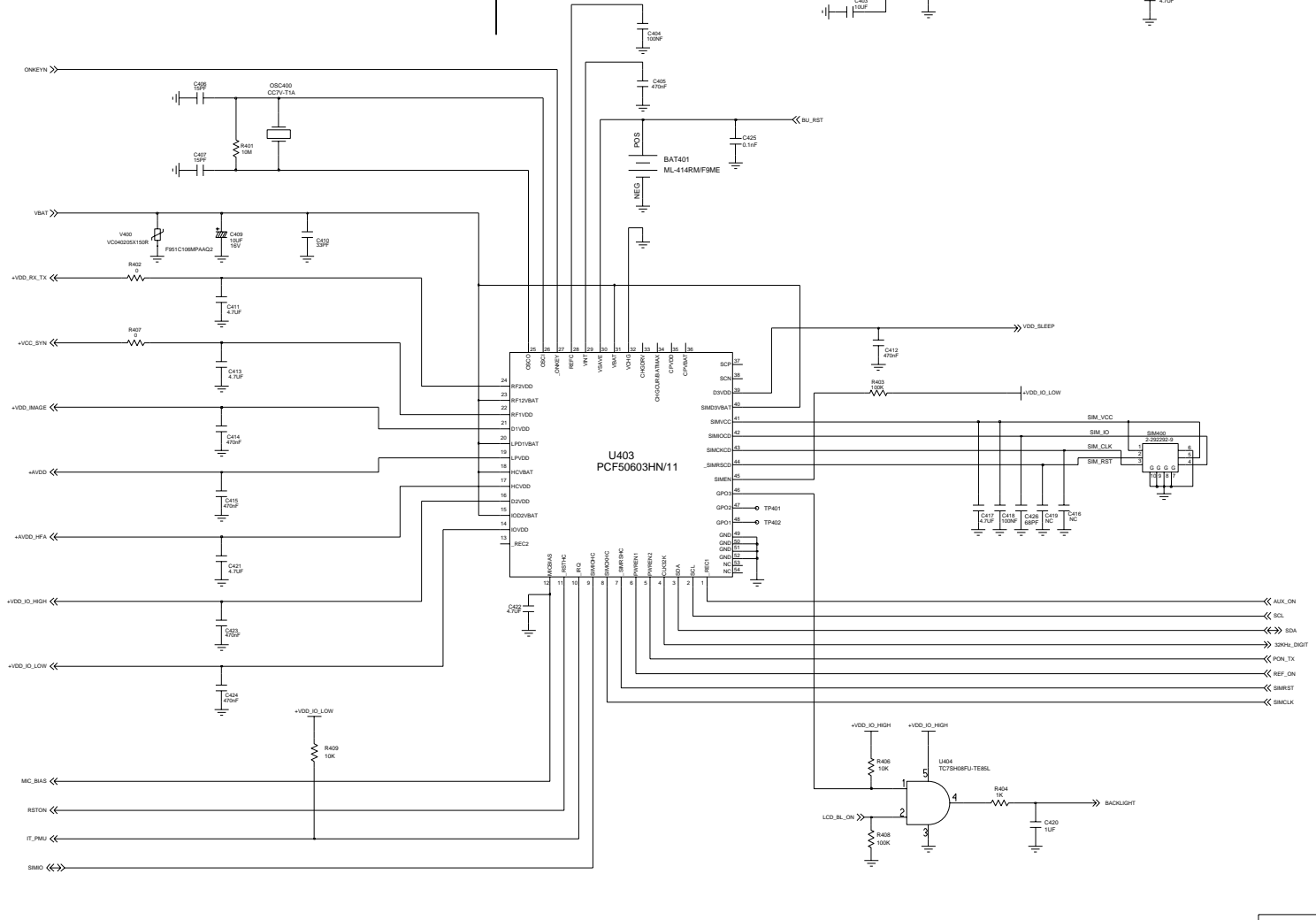
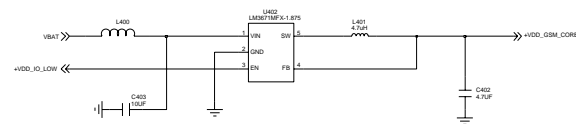
J-TAG 32 PINS



LDO

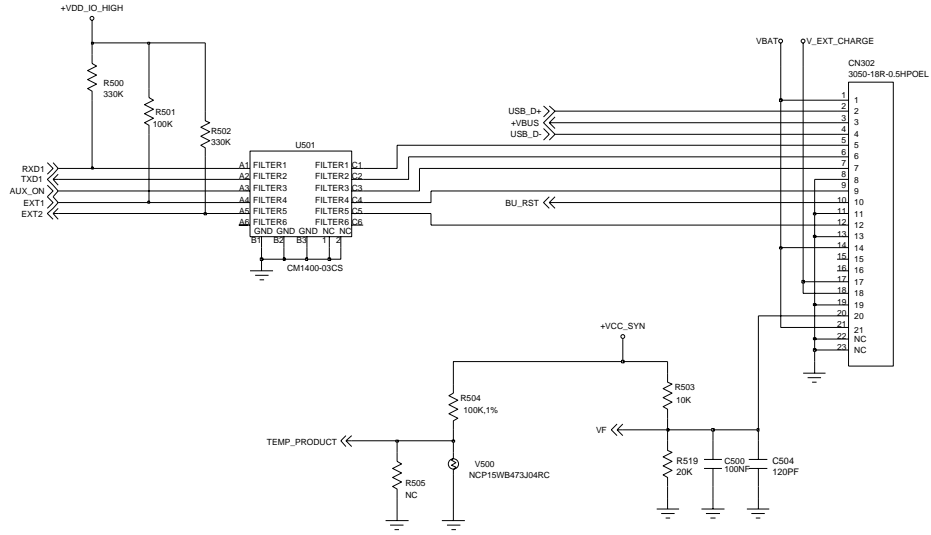


DC/DC Down Converter(1.8Volt)

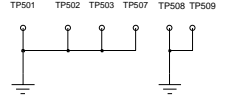


VDD_IO_HIGH	2.8V
VDD_IO_LOW	1.8V
VDD_VIB	2.8V
VDD_RANGE	1.9V
AVDD	2.8V
AVDD_HFA	2.8V
VCC_RX_TX	2.8V
VCC_BYN	2.8V
VDD_GSM_CORE	1.8V
VDD_CORE_BT	1.8V
VDD_VIB_2.8	2.8V
VDD_4V	4V

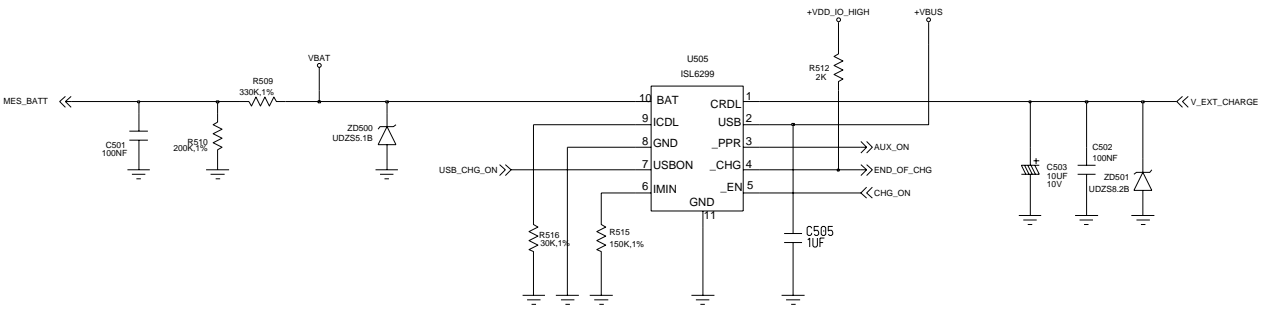
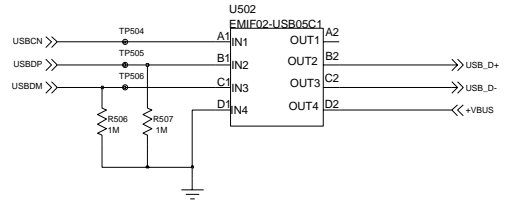
Digital External Interface



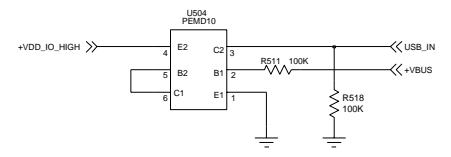
THERMISTOR



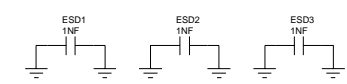
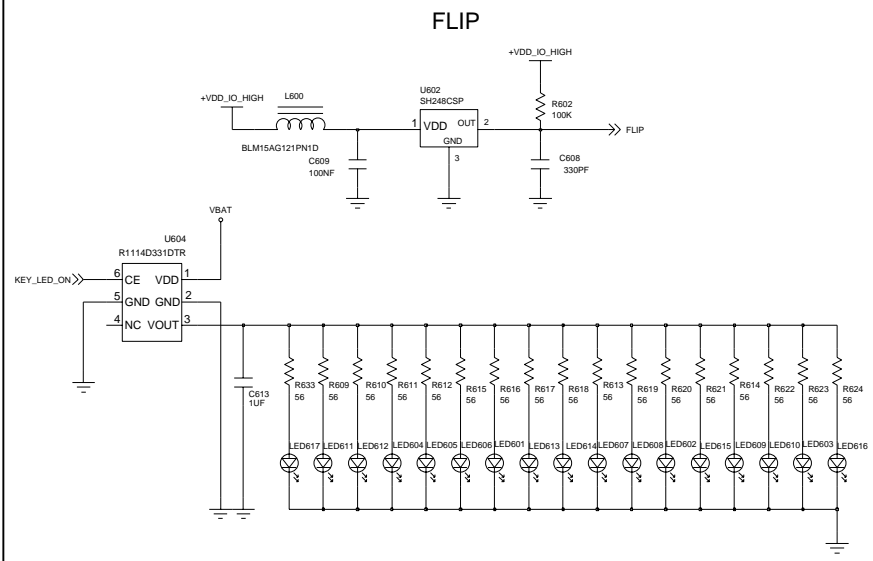
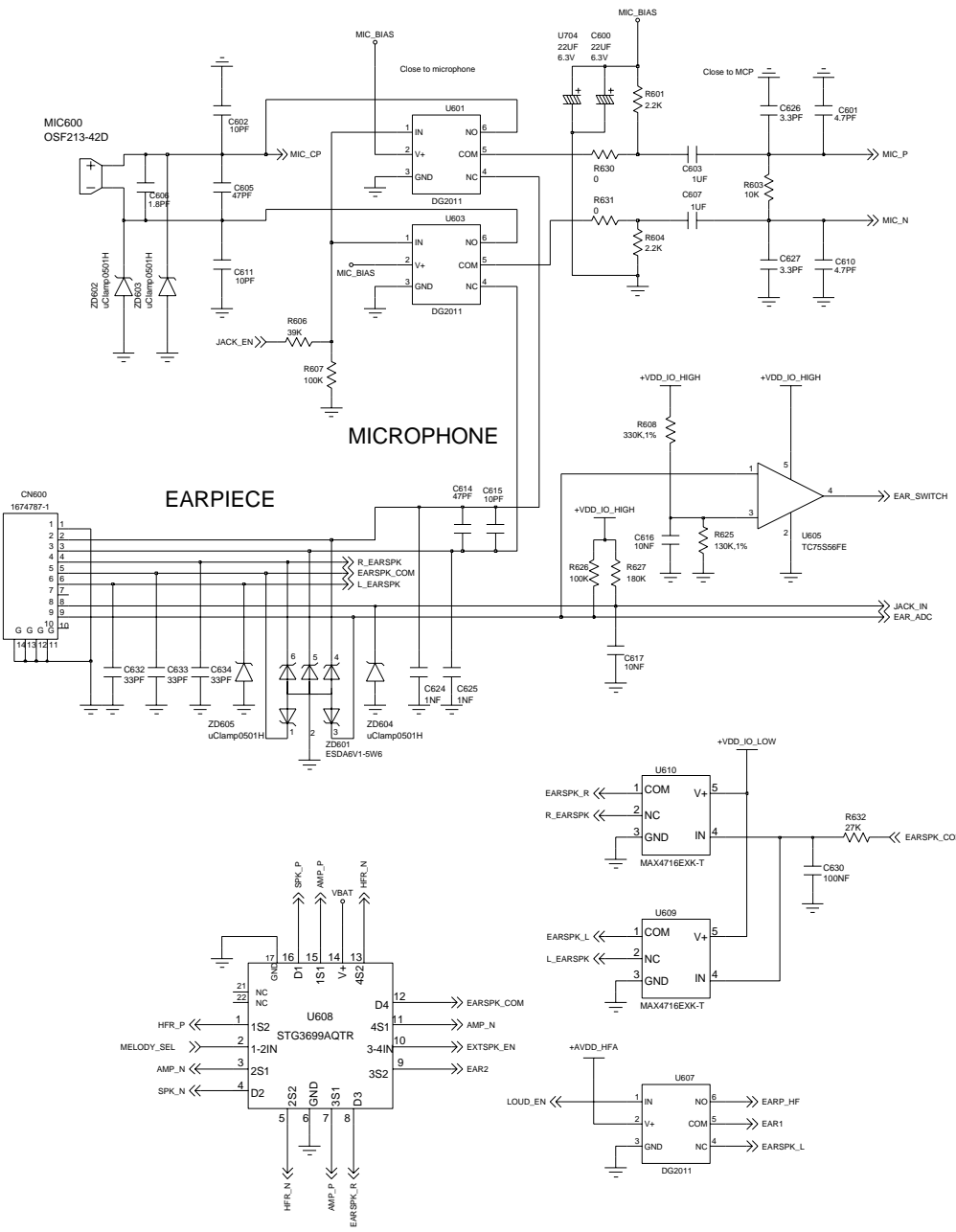
PCB_HOLE



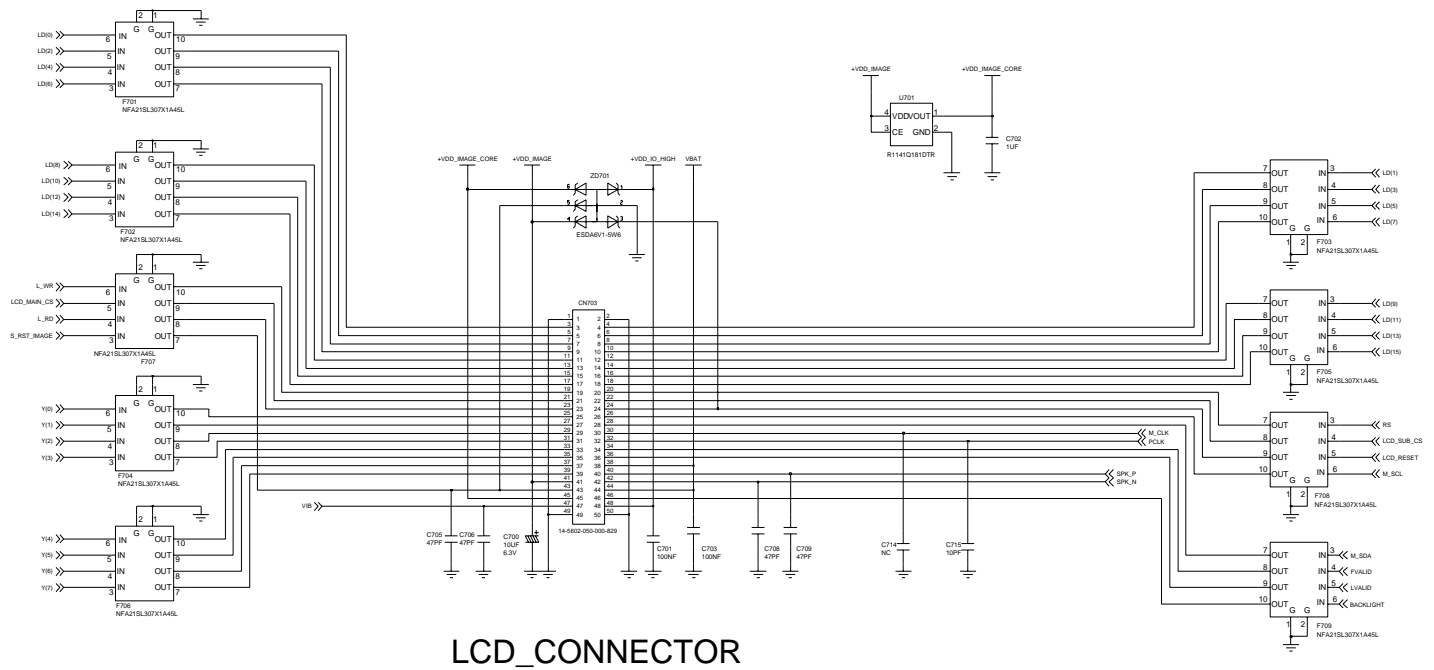
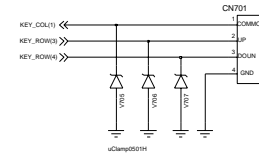
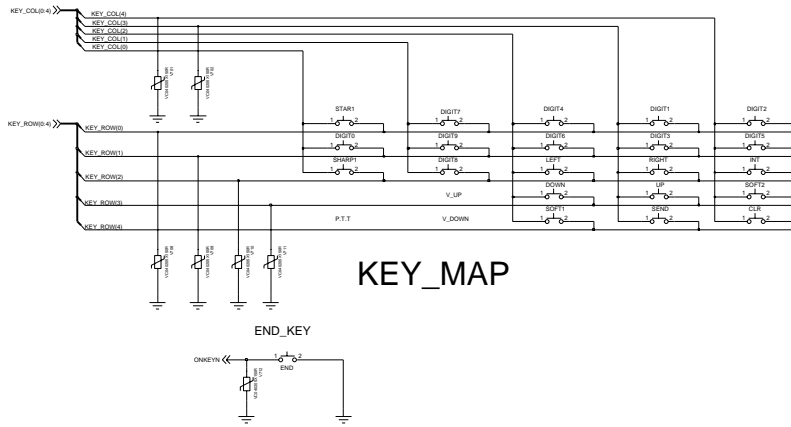
BATTERY CHARGING



Title		
IF Connector & Charging Schematic		
Size	Document Number	Rev. BSC
A3	MERCEDES (SGH-E340)	Rev 1.1
Date:	2005.03.25	Sheet 5 of 7



Title		
Audio & Key Schematic		
Size	Document Number	Rev
A3	MERCEDES (SGH-E340)	BSE
Date:	2005.03.25	Sheet 6 of 7



Title			
IF & LCD Connector Schematic			
Size	Document Number	Rev	Iss
A3	MERCEDES (SGH-E340)	1.0	Rev 1.1
Date:	2005.03.25	Sheet	7 of 7

