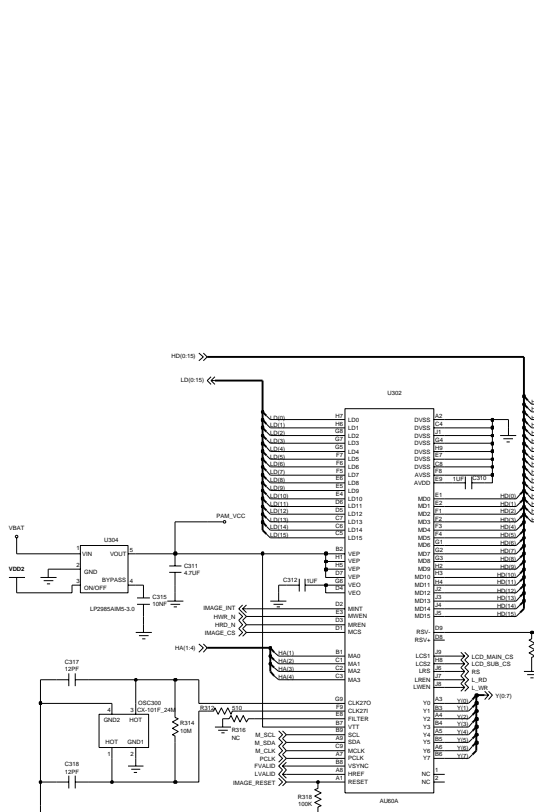
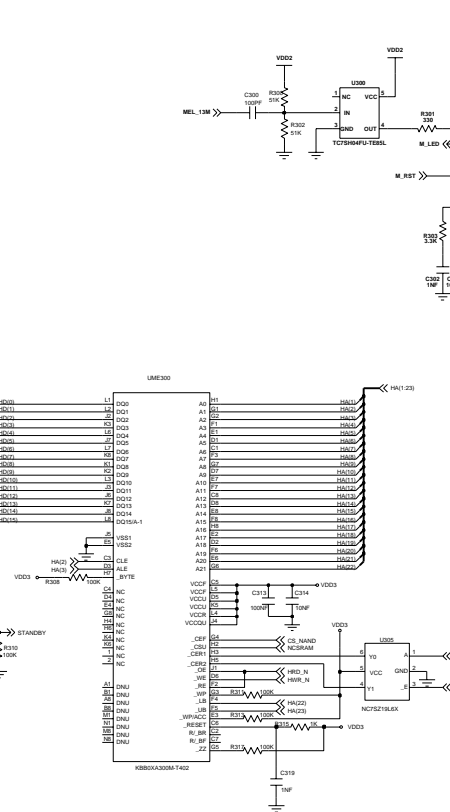


	CS_0N	CS_1N	HA0_0	CS_3N
MELODY_CS	X	X	1	0
IMAGE_CS	X	X	0	0
CS_MAND	1	0	X	X

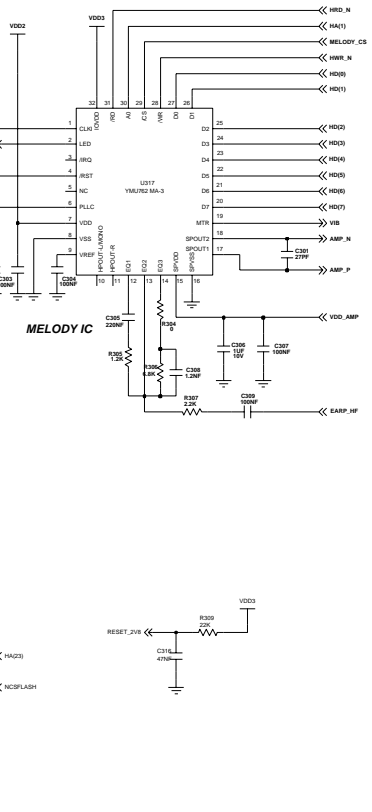
○ SMI_BOOT



ALPHA_CHIP

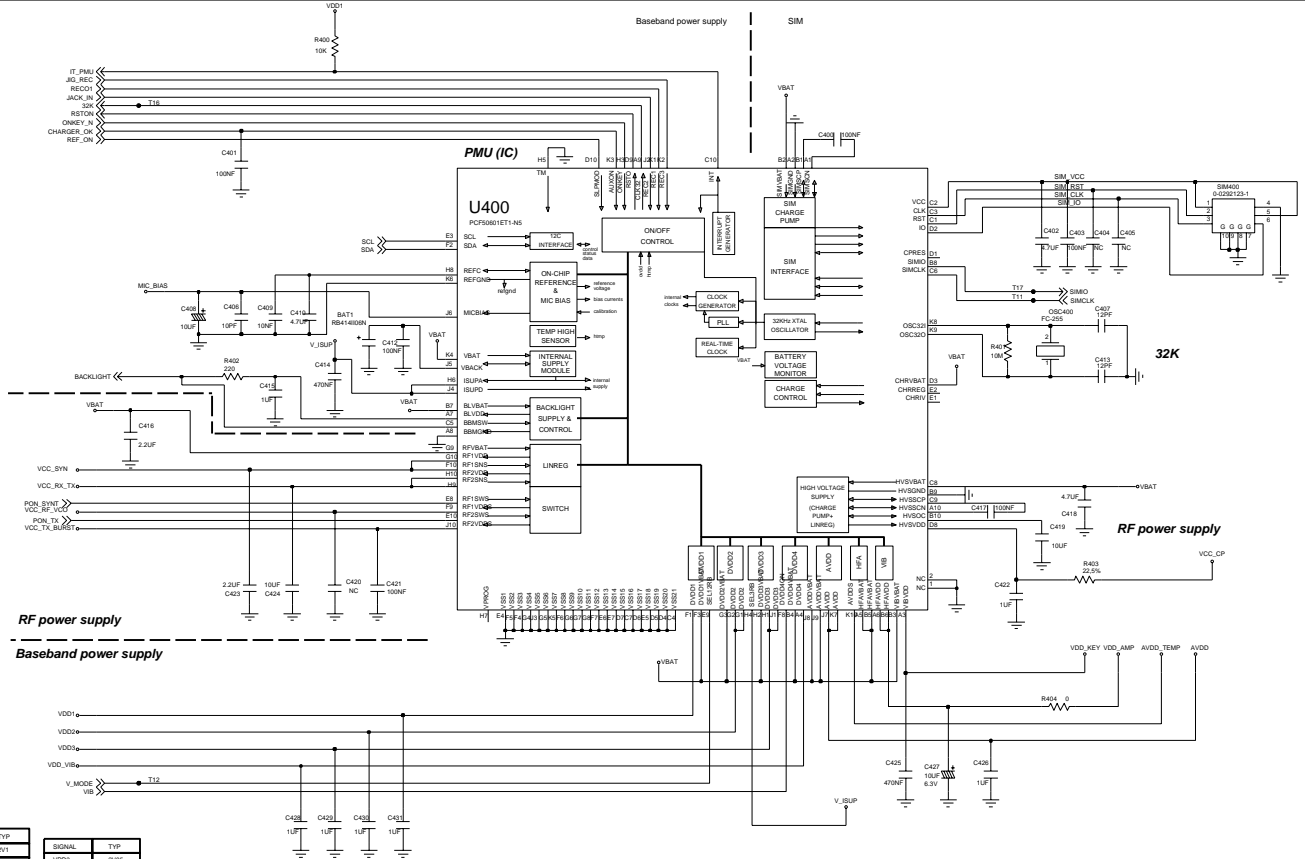


Memory

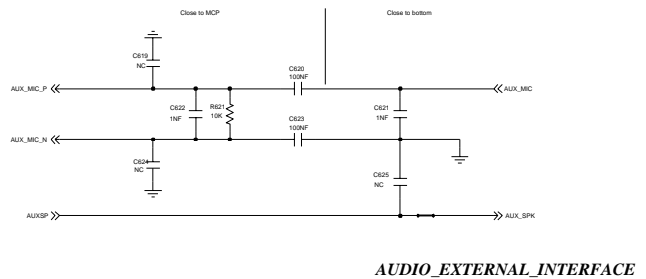
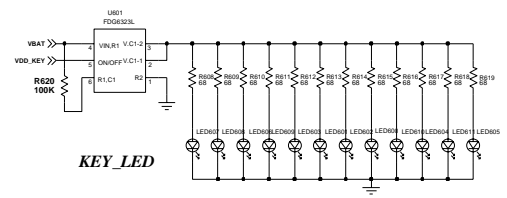
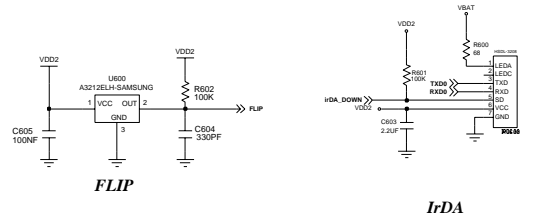
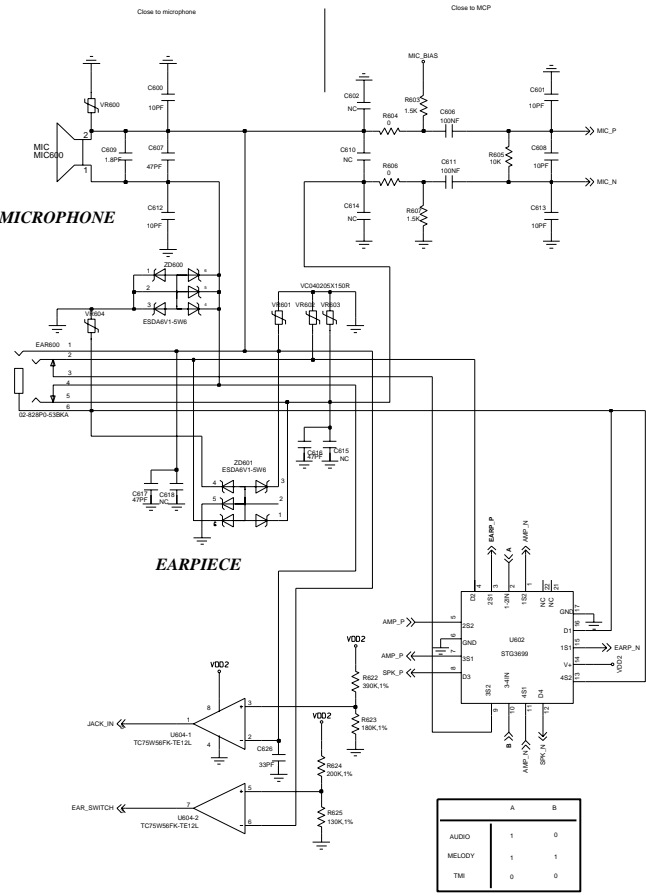


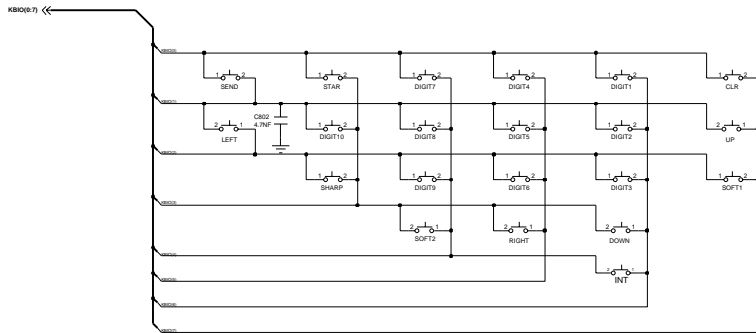
MELODY IC

SAMSUNG/SGH-E700/B/Memory & MELODY IC		
Rev	Issued/Supersedes	Rev
A3		Rev3.6
Date:	July 21, 2003	Sheet 3 of 7

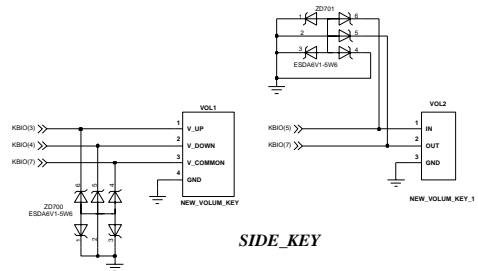


SIGNAL	TYP	SIGNAL	TYP
MC_BIAS	2V1	VDD3	2V85
V_ILSUP	2V7	VDD_VB	3V03
BL_VDD	2V7	AVDD	2V85
VCC_BYN	2V7	JVDD_TEMP	2V85
VCC_RX_TX	2V7	VDD_AMP	3V03
VCC_RF_VDD	2V7	VCC_KEY	2V85
VCC_RX_SUB5	2V7	VCC_CP	4V
VDD1	1V95		
VDD2	2V85	SMVDD	3V
			3V

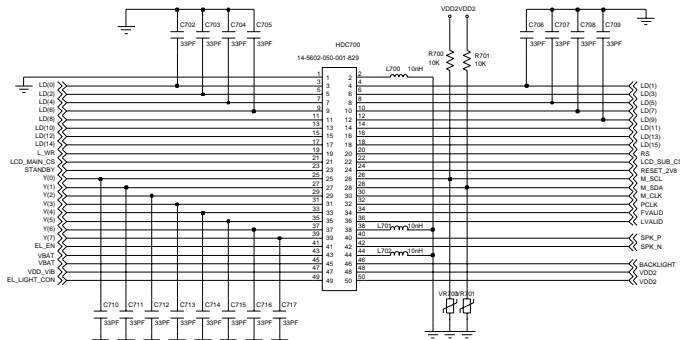




KEY_MAP



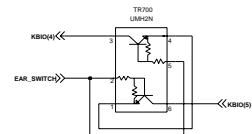
SIDE_KEY



LCD_CONNECTOR



END_KEY



EARPHONE_SWITCH