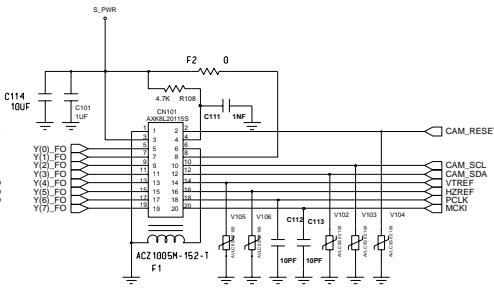
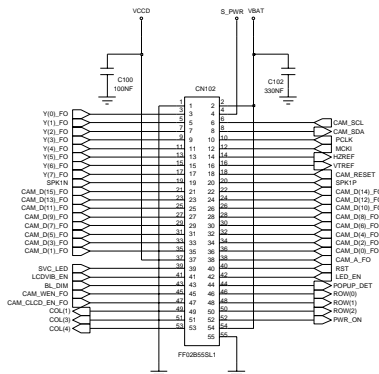


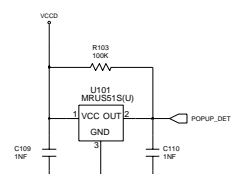
LCD



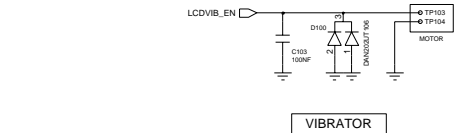
CAMERA



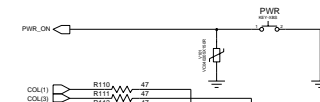
CONNECTOR



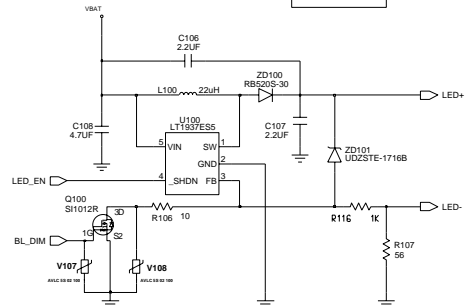
POP-UP SENSOR



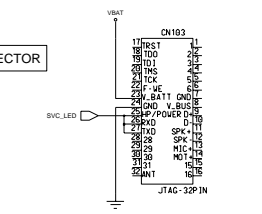
VIBRATOR



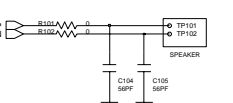
KEY



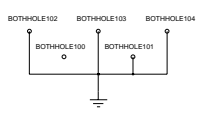
BACKLIGHT



KEY LED

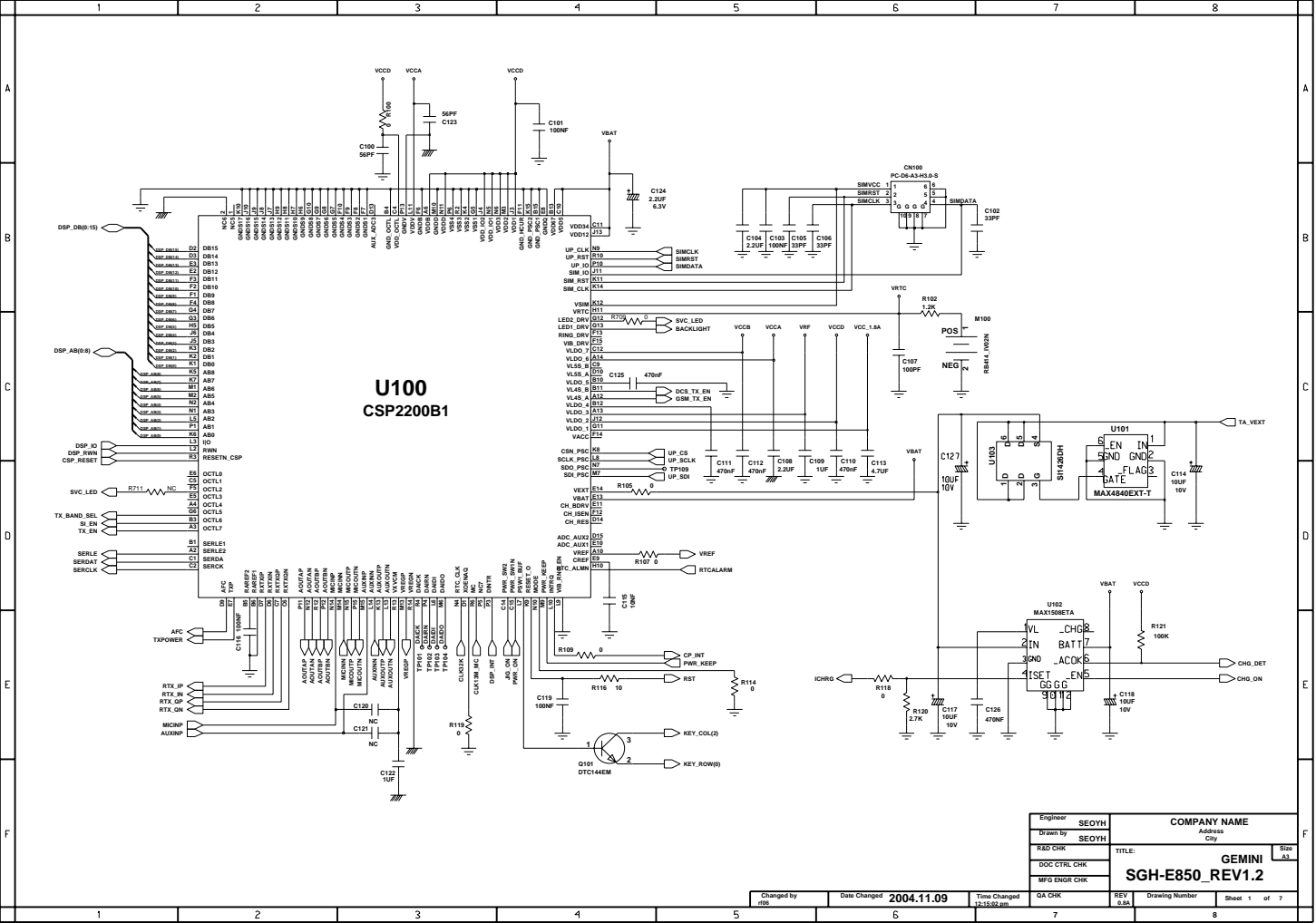


SPEAKER



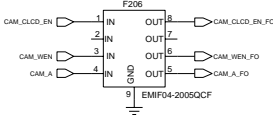
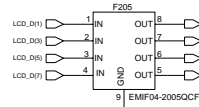
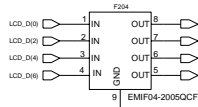
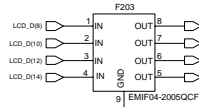
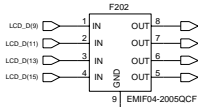
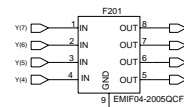
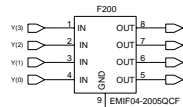
NOV 26, 2004

Engineer	SEOVH	COMPANY NAME	
Drawn by	SEOVH	Address	
Rev'd	DLJ	City	
TITLE:		Size	
MFG ENGR_DLJ		A4	
SGH-E850_LCD_REV1.2			

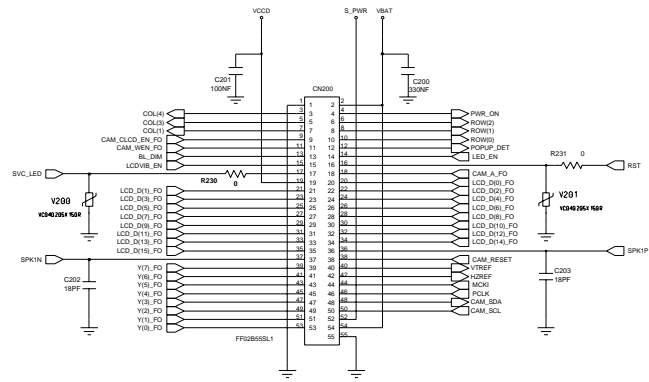


**U100
CSP2200B1**

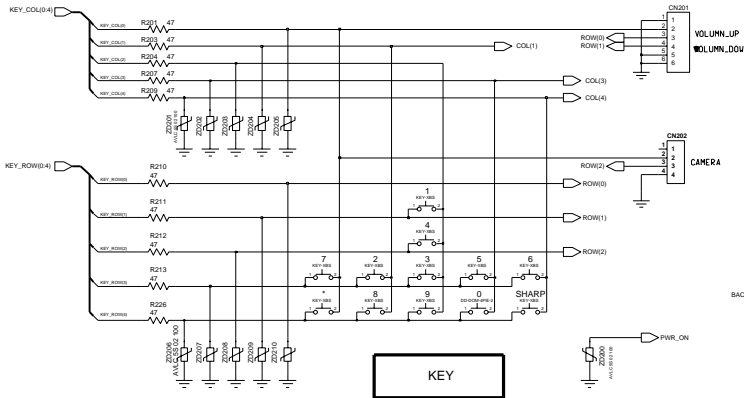
Engineer	SEOYN	COMPANY NAME	
Drawn by	SEOYN	Address	
Rev'd	CHK	City	
DWG CTRL	CHK	TITLE:	Size
MFG BDR	CHK	A4	
		GEMINI	
		SGH-E850_REV1.2	
Changed by	Date Changed	Time Changed	GA CRK
006	2004.11.09	12:52:20	
REV	0.8A	Drawing Number	Sheet 1 of 7



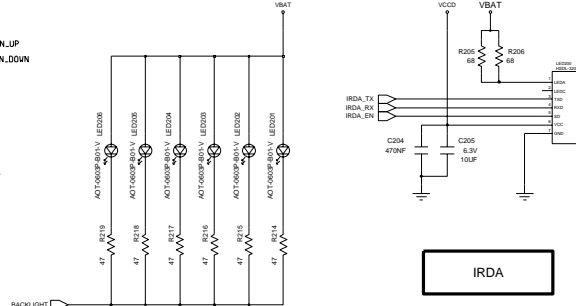
EMI FILTER



LCD CONNECTOR



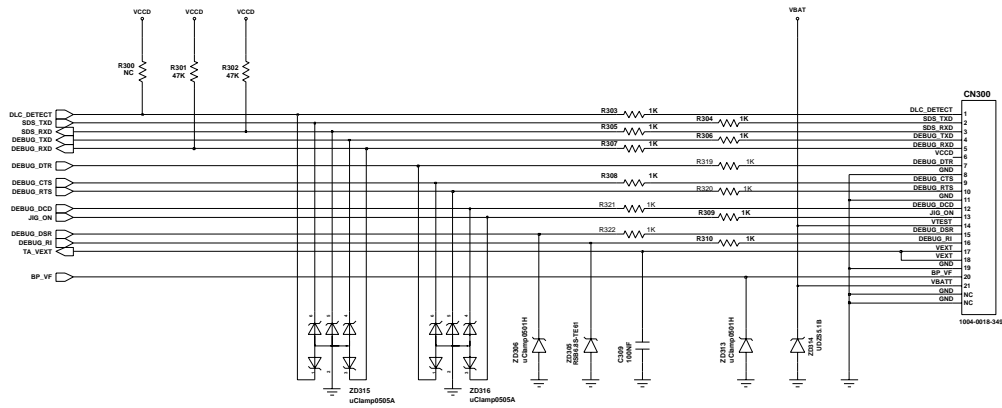
KEY



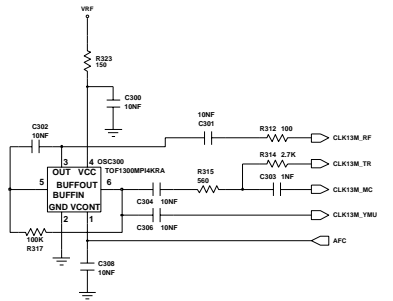
LED

IRDA

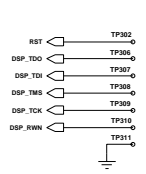
Engineer	SEOYH	COMPANY NAME	
Drawn by	SEOYH	Address	
		City	
RED'CHK		TITLE:	Size
BDC'CHK		LCD CON, KEY, LED, IRDA	A4
MFG'ENGR		SGH-E850_REV1.2	



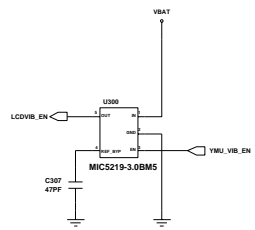
I/F CONNECTOR



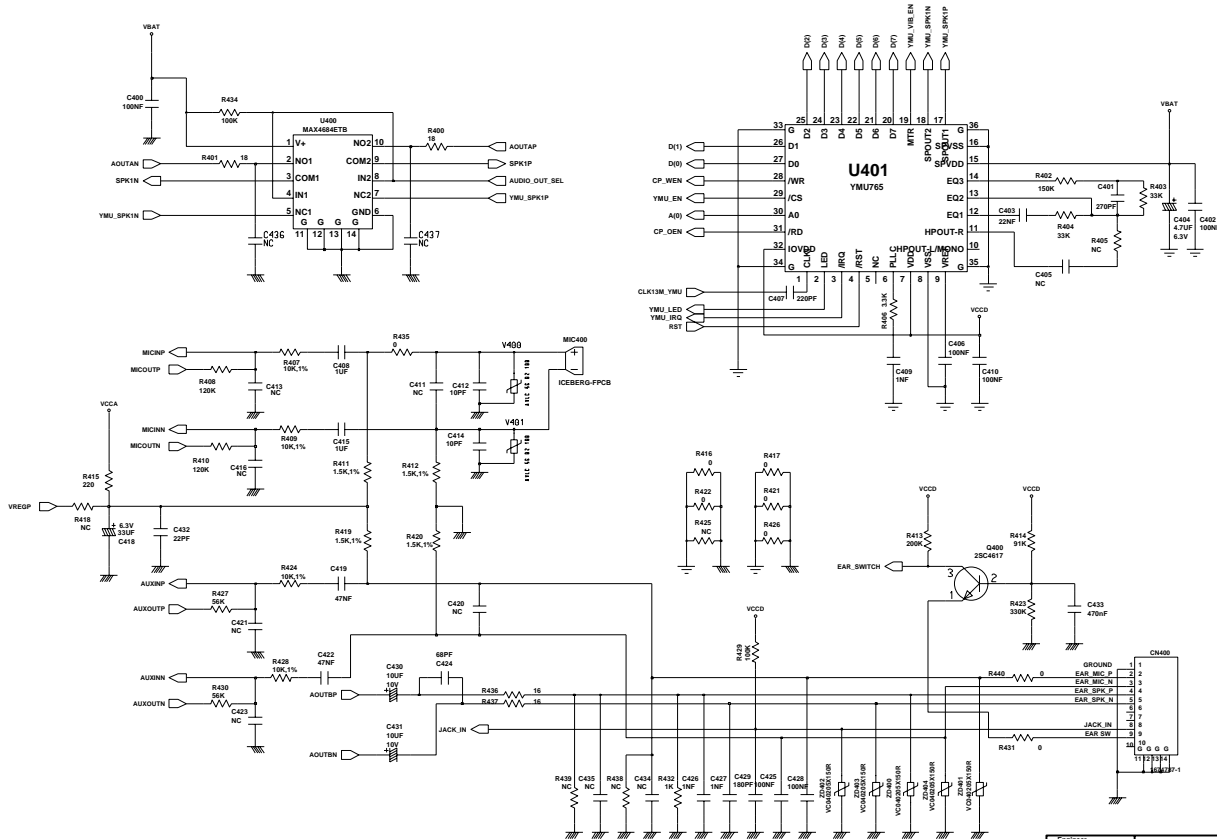
TCXO



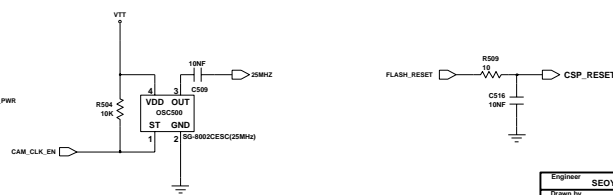
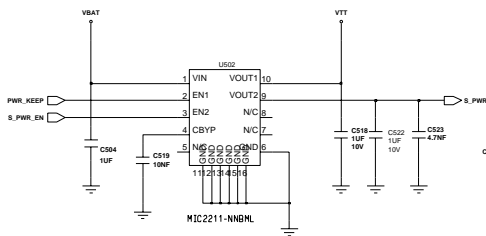
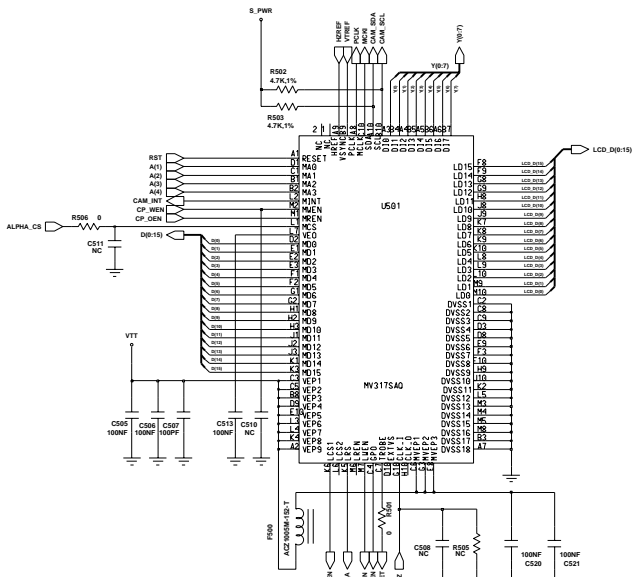
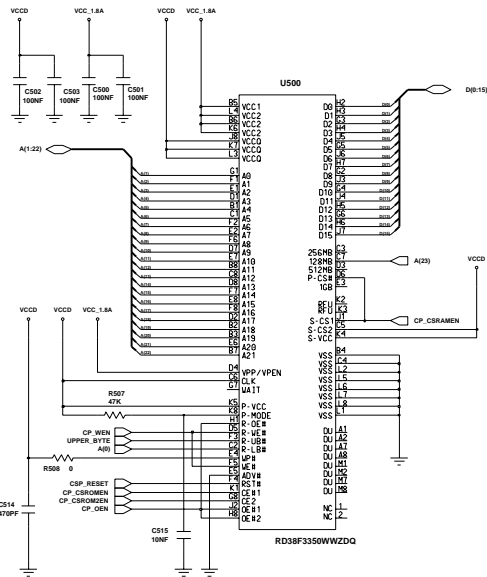
JTAG CON



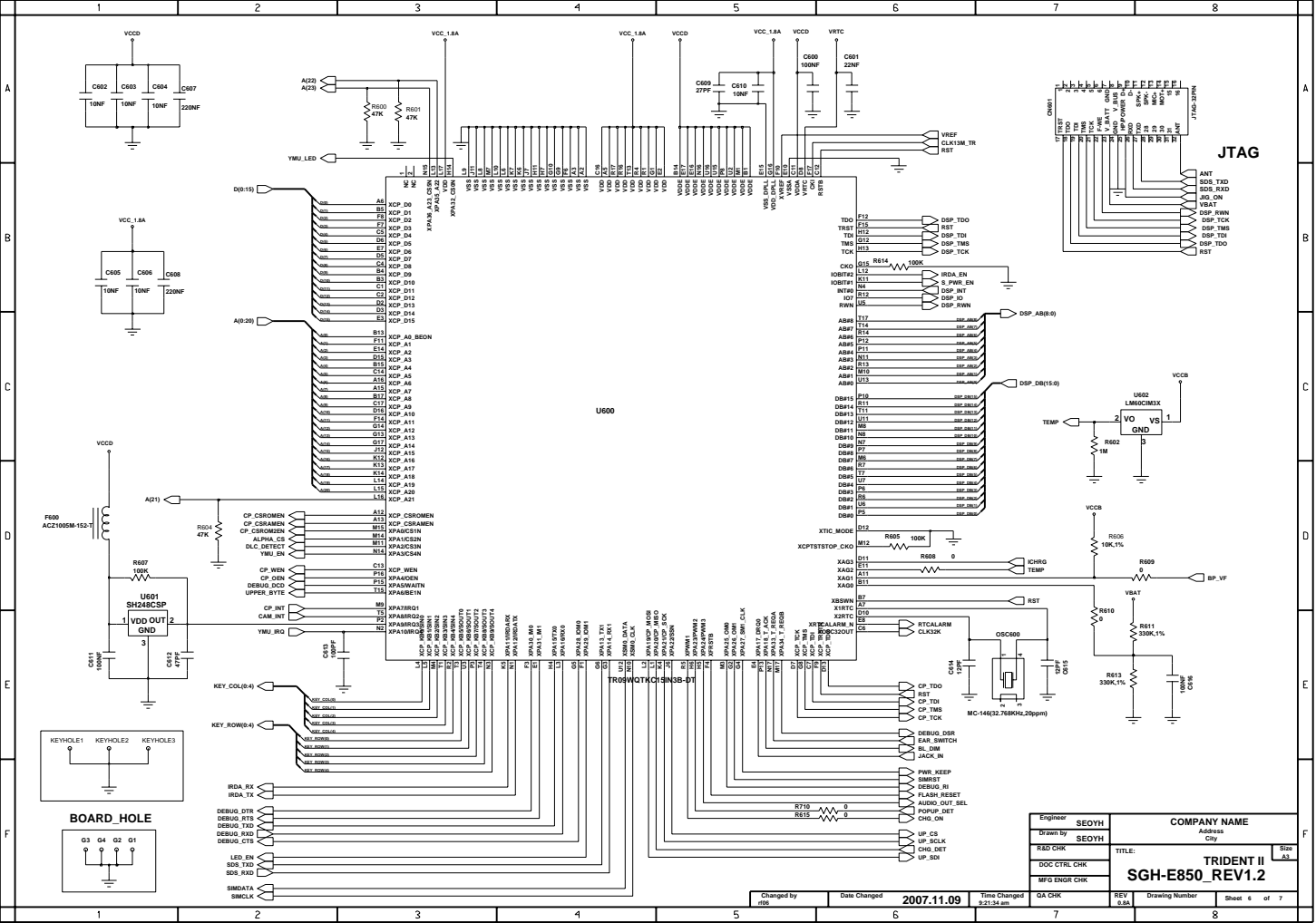
Engineer	SE07H	COMPANY NAME	
Drawn by	SE07H	Address	
Red Chk		City	
DOC CTRL CHK		TITLE:	Size
MFGR ENGR CHK		A4	
		I/F CON, TCXO, JTAG	
		SGH-E850_REV1.2	



Engineer	SEOWH	COMPANY NAME Address City	Size A3
Drawn by	SEOWH		
RED CHK	SEOWH	TITLE: YAMAHA, EARJACK SGH-E850_REV1.2	REV 0.8A
DWG CTRL CHK			
MFG INSRV CHK			
Changed by JIS	Date Changed 2004.11.09	Trice Changed 6:02-25 pm	GA CHK 0.8A
		Drawing Number	Sheet 4 of 7



Engineer	SEOYH	COMPANY NAME	
Drawn by	SEOYH	Address	
		City	
RED CHK		TITLE:	Size
DWG CTRL CHK		MEMORY CAMERA	A1
MFG INDR CHK			
		SGH-E850_REV1.2	



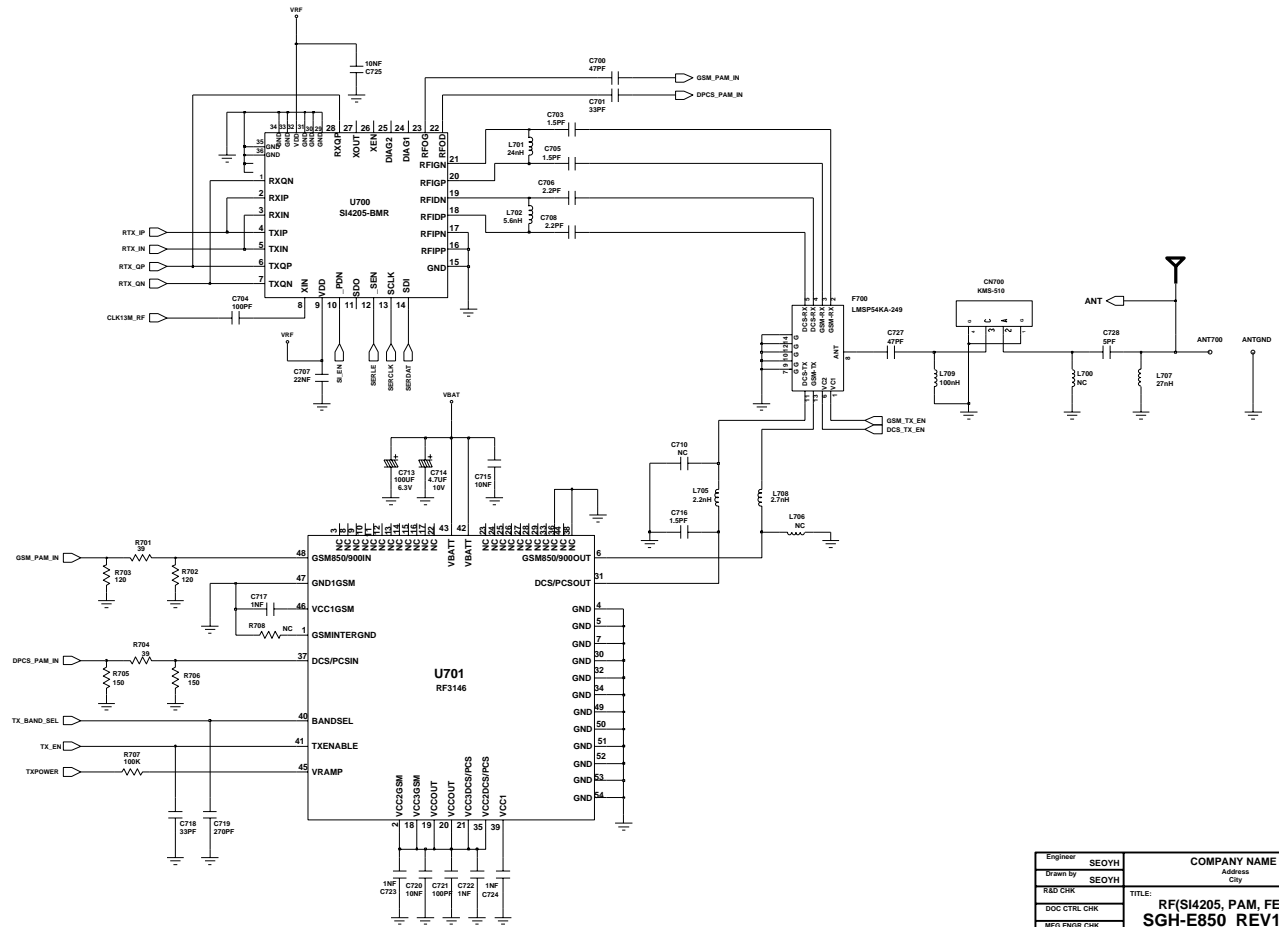
JTAG

U600

VCCB

TRIDENT II

Engineer	SE07H	COMPANY NAME	Site
Drawn by	SE07H		
RED CRK		<p>TRIDENT II</p> <p>SGH-E850_REV1.2</p>	Sheet 6 of 7
DSC CTRL CRK			
MFG BDR CRK			
REV	8.8A	Drawing Number	



Engineer	SEOYH	COMPANY NAME	
Drawn by	SEOYH	Address	
		City	
RED CHK		TITLE:	Size
DOC CTRL CHK		RF(SI4205_PAM_FEM)	A4
MFG ENGR CHK		SGH-E850_REV1.2	