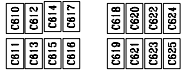
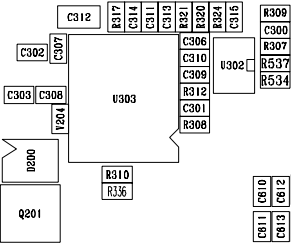
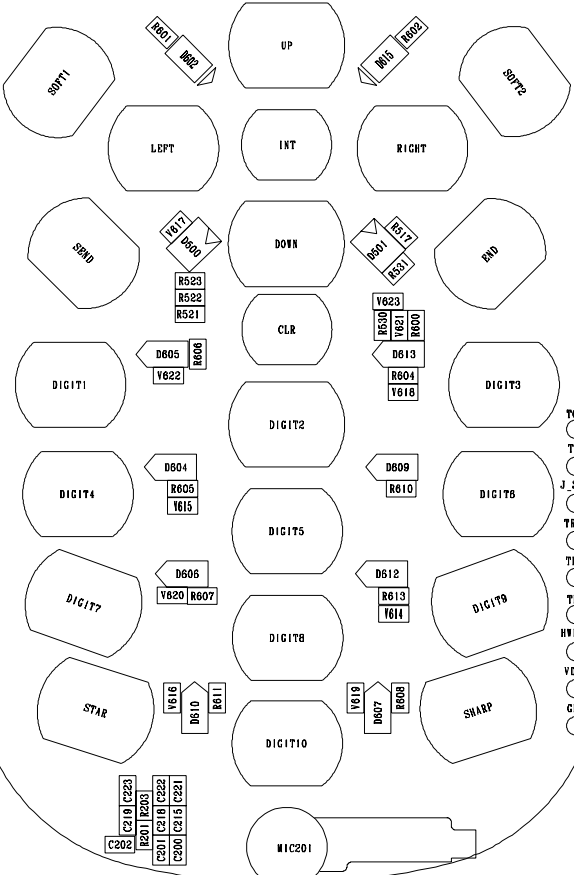


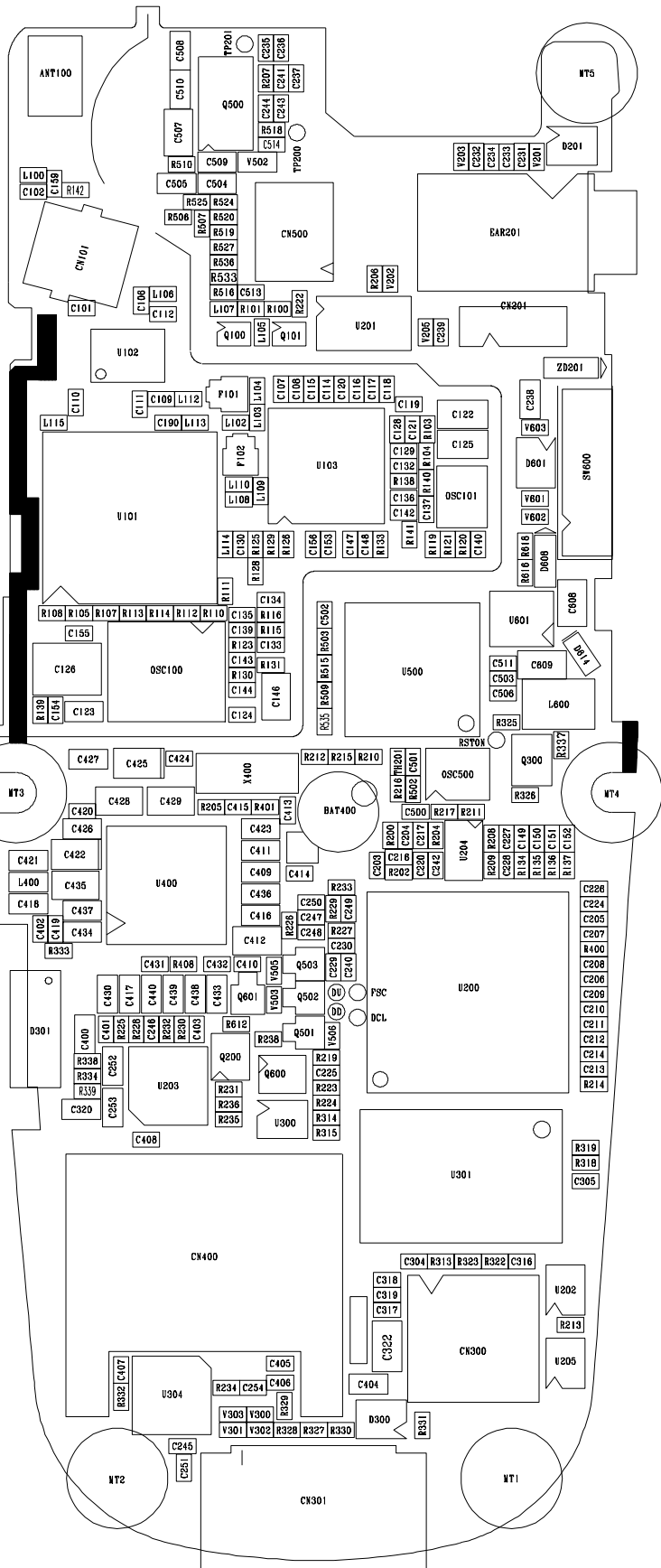
RECEIVER200

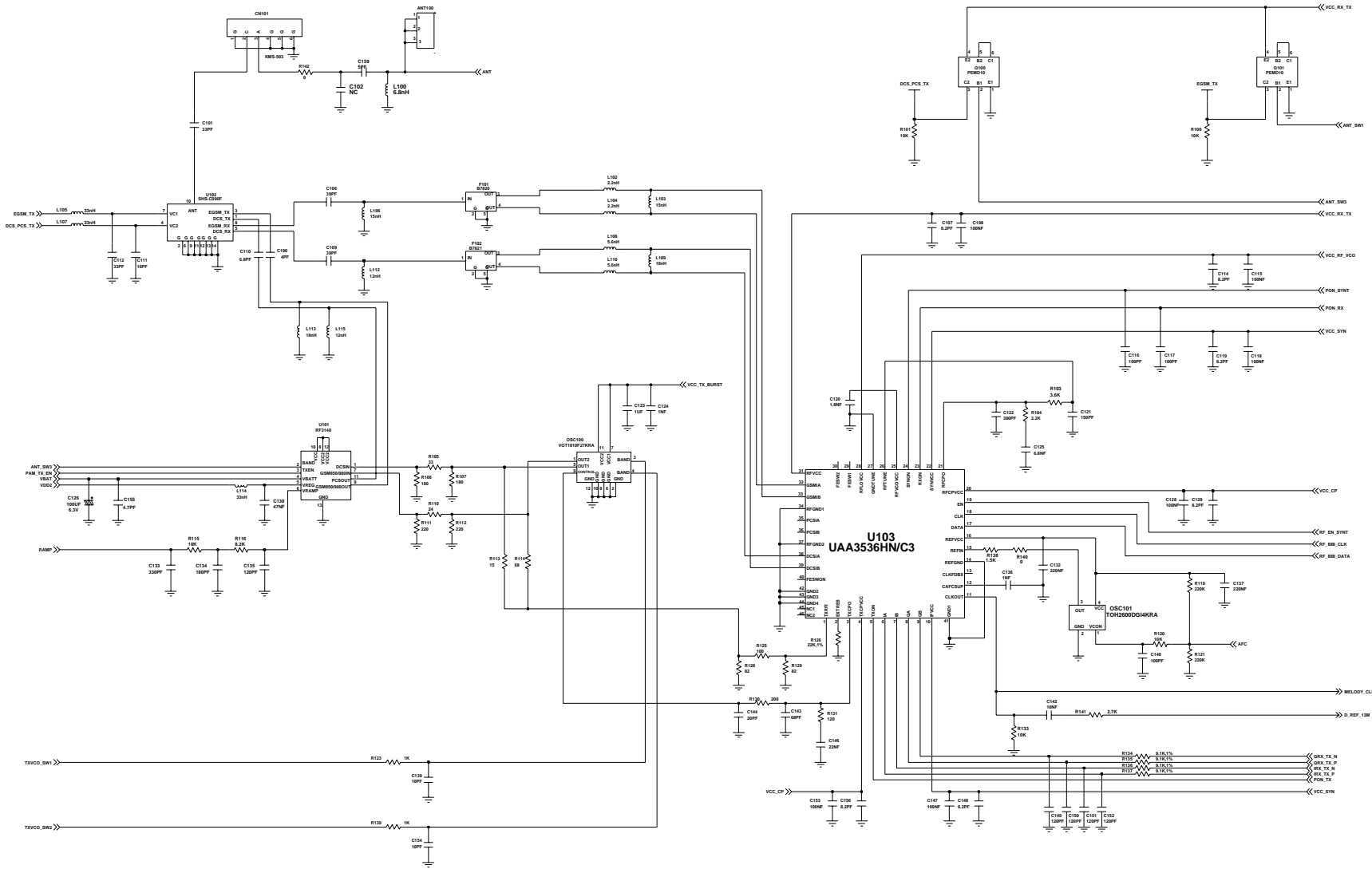


D603

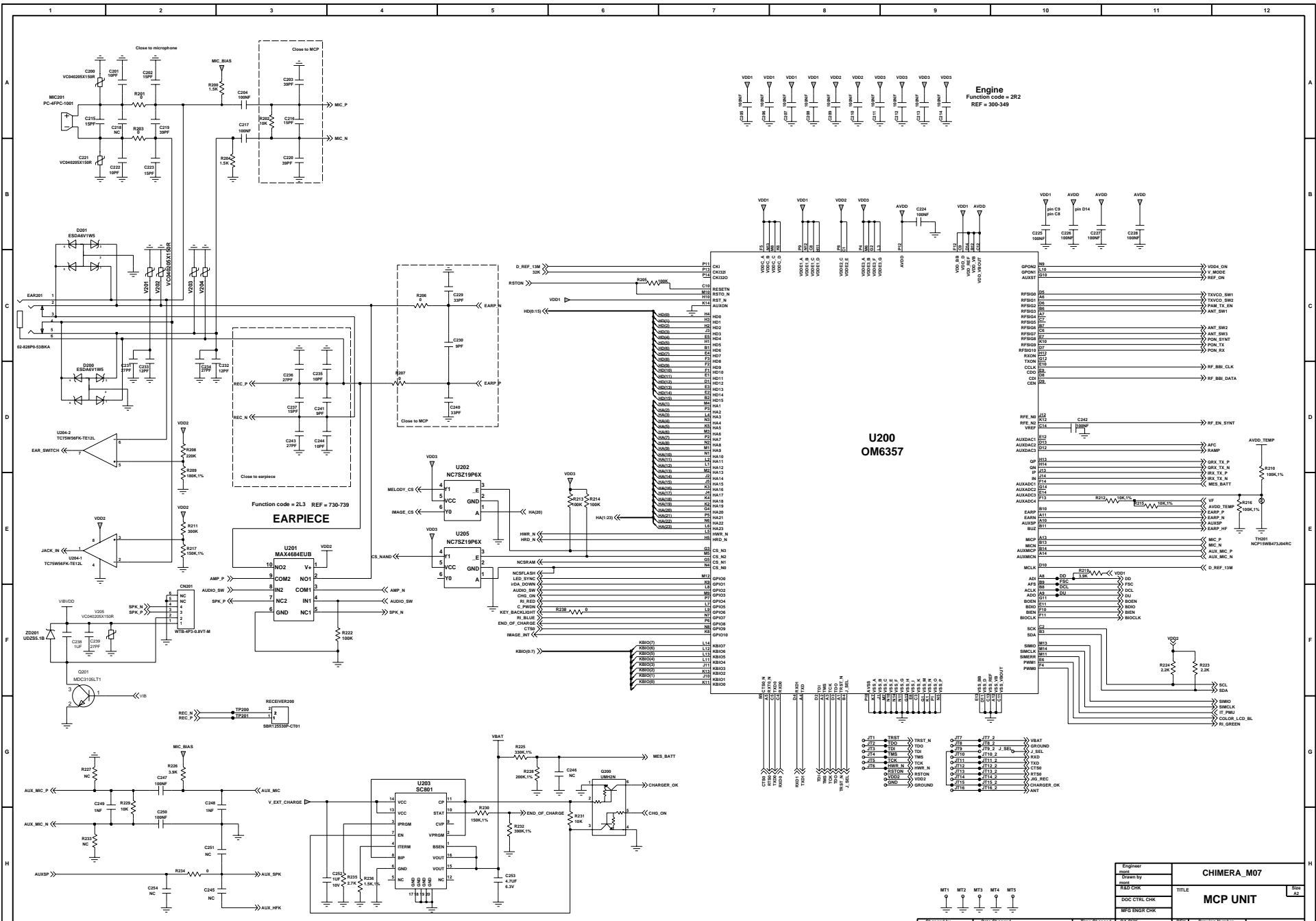


- YCK
- TWS
- J_SEL
- TRST
- TDI
- TDO
- HWR_N
- VDD2
- GND





Engineer	CHIMERA_M07		
Drawn by			
R&D CHK	TITLE		10/1
DOC CTRL CHK	RF_Schematic		
MFG ENGR CHK			
Changed by	Date Changed	Time Changed	QA CHK
	2003.10.07		
REV	Drawing Number	Sheet 1 of 6	



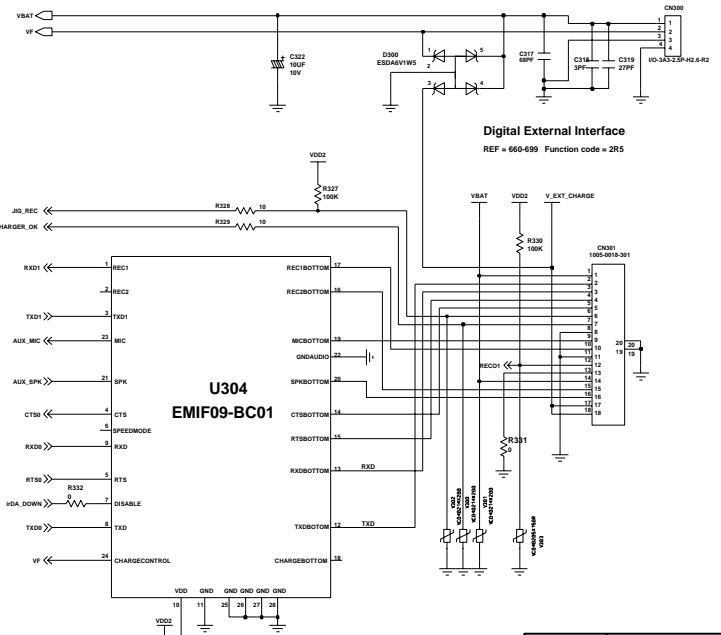
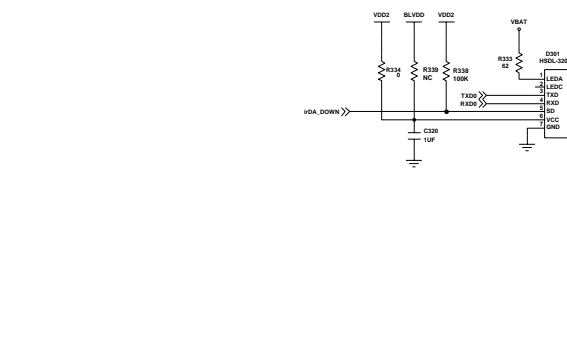
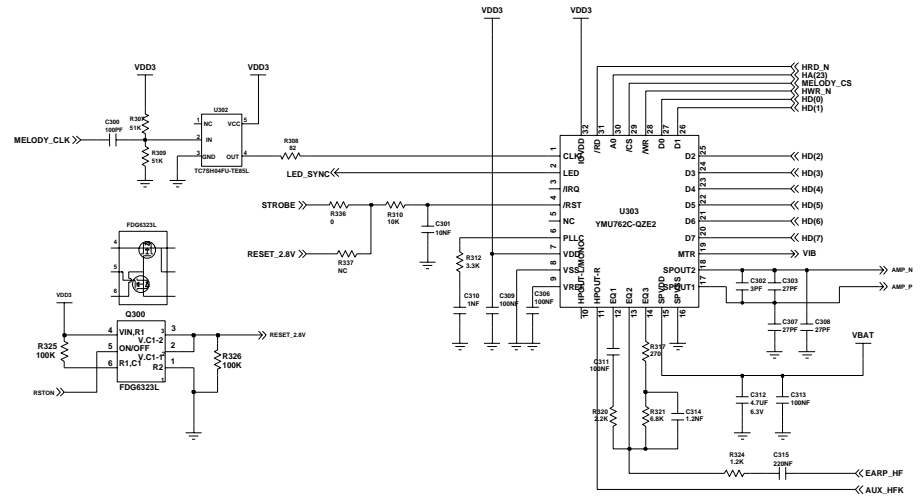
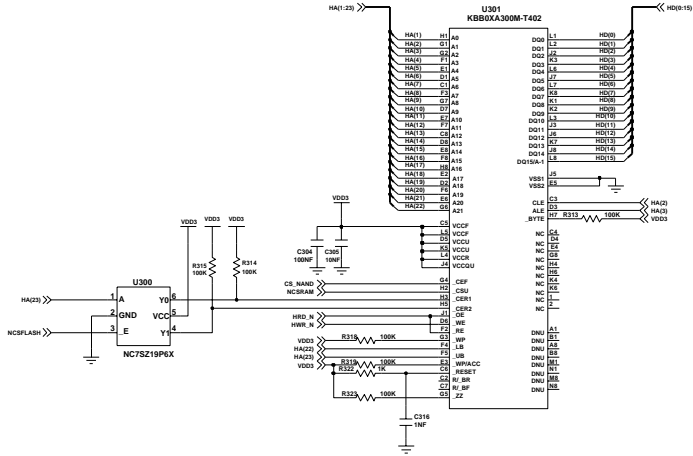
Engine
Function code = 2R2
REF = 300-349

U200
OM6357

Function code = 2L3
REF = 730-739

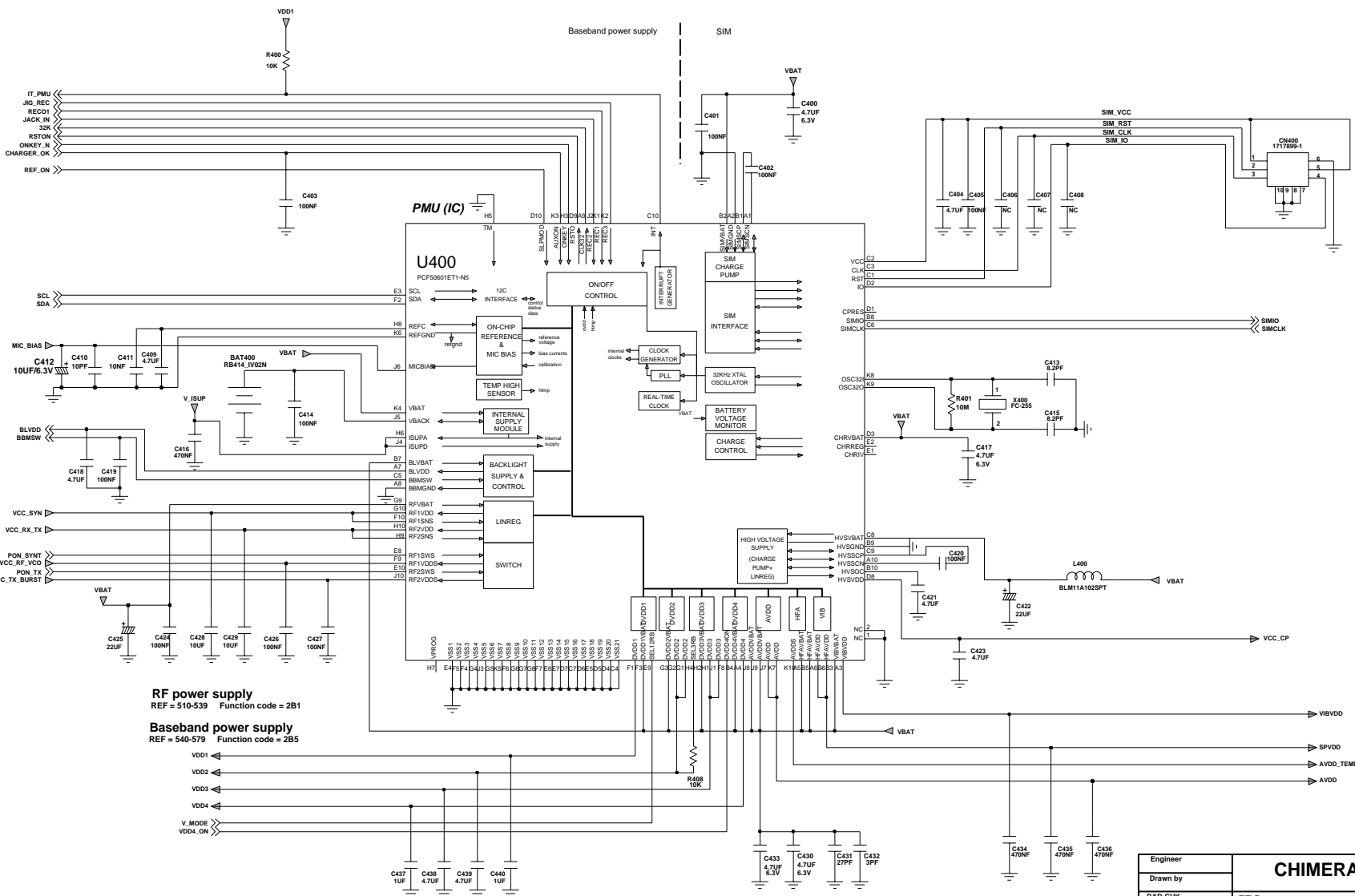
EARPIECE

Engine	CHIMERA_M07
System	
PROD CHK	TITLE
DOC CTRL CHK	MCP UNIT
MFG ENDR CHK	Sheet 2 of 6



Digital External Interface
REF = 660-699 Function code = 2R5

Engineer	CHIMERA_M07
Drawn by	
RESD CKR	TITLE
DOC CTRL CKR	
MFG ENDR CKR	Memory & melody



RF power supply
 REF = 510-539 Function code = 2B1

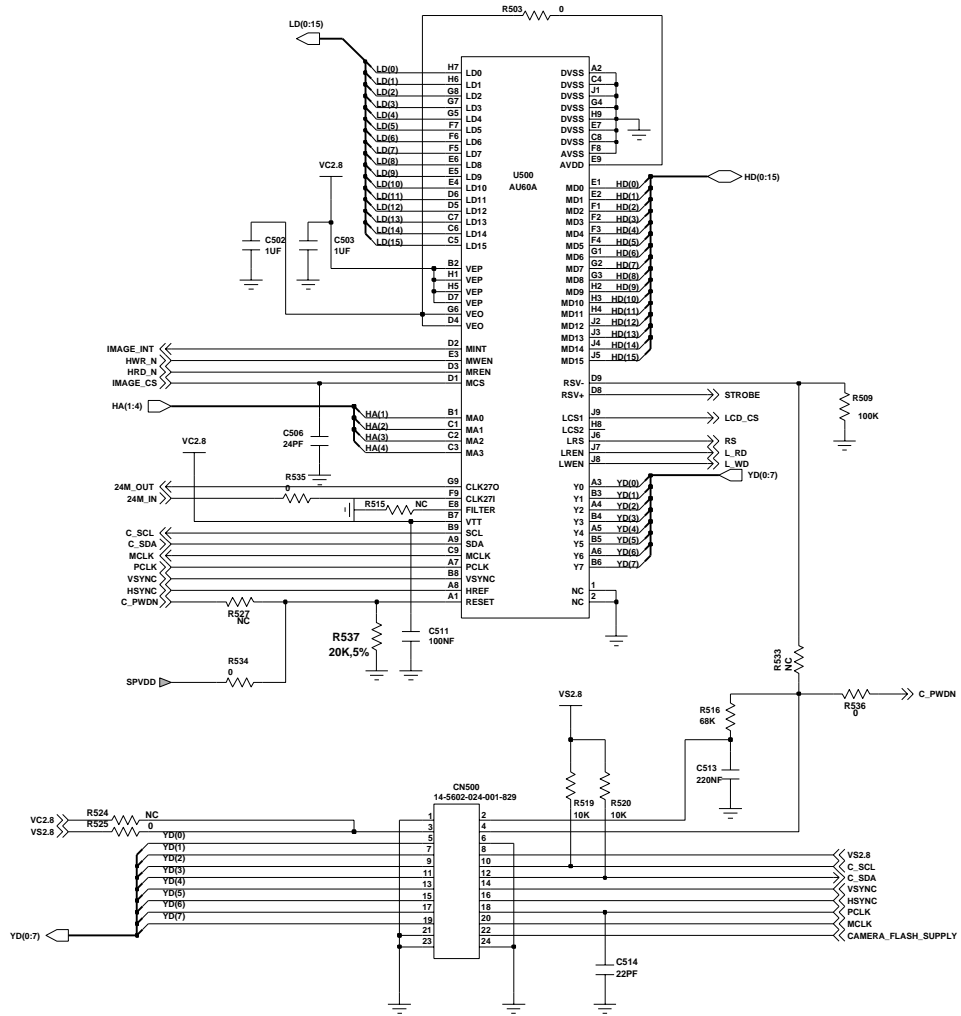
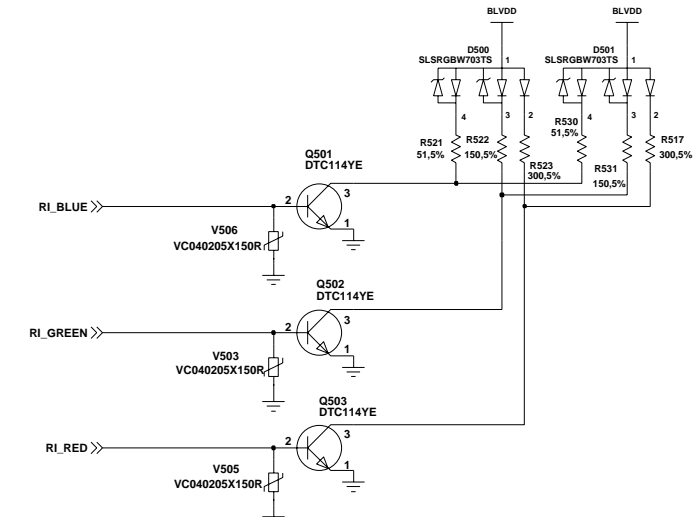
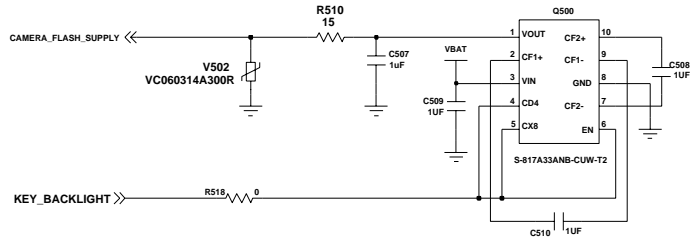
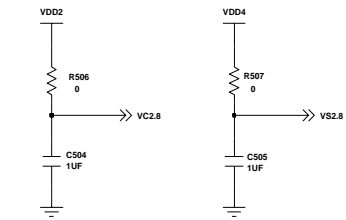
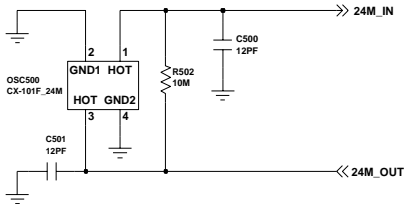
Baseband power supply
 REF = 540-579 Function code = 2B5

- VDD1
- VDD2
- VDD3
- VDD4
- V.MODE
- VDD4.ON

Engineer	CHIMERA_M07		
Drawn by			
R&D CHK	TITLE:	Size A3	
DOC CTRL CHK	Power management unit		
MFG ENGR CHK			

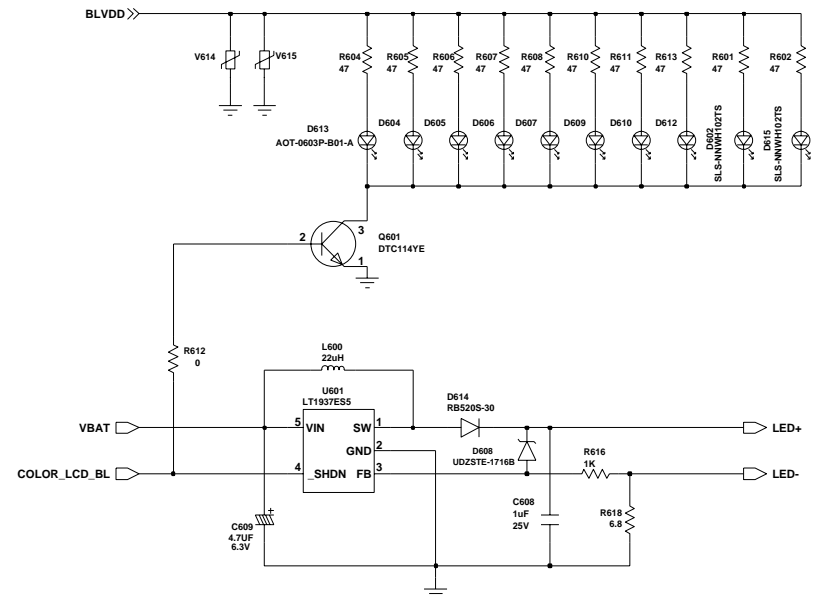
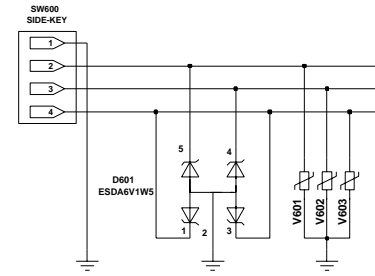
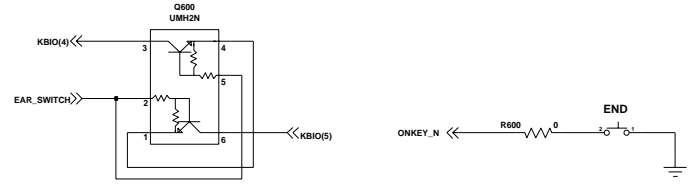
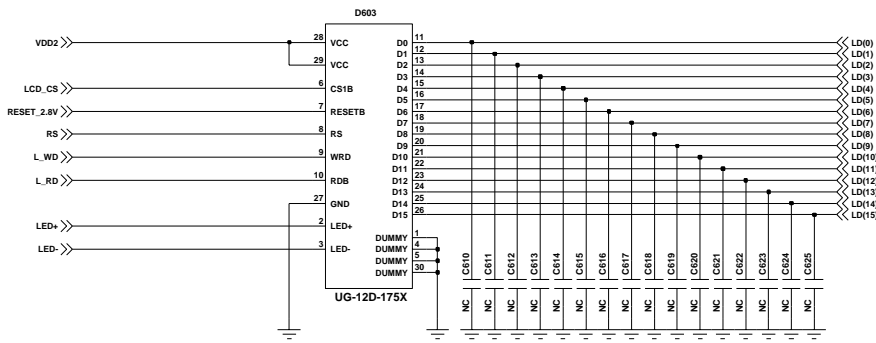
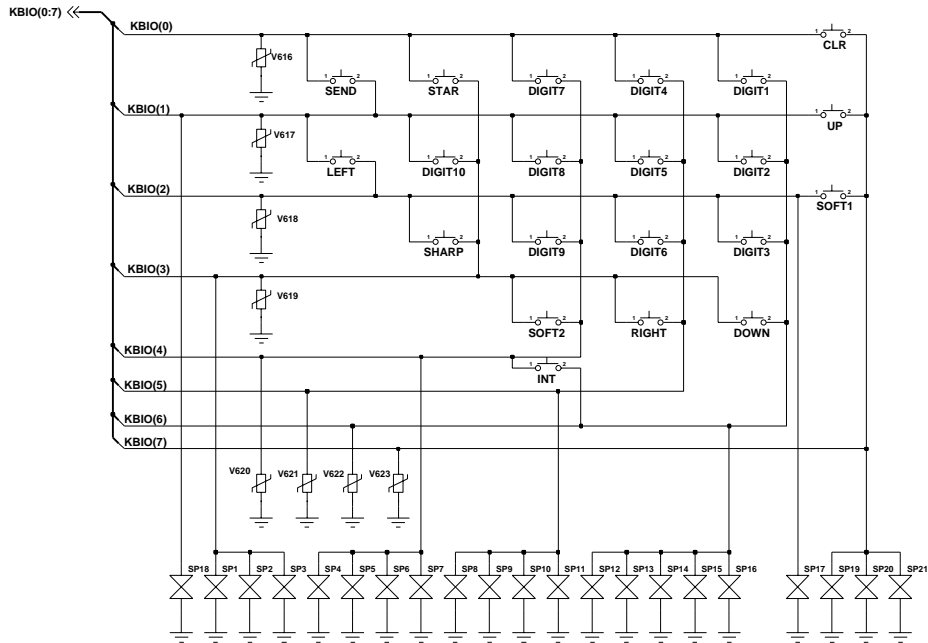
Changed by	Date Changed	2003.10.07	Time Changed	QA CHK	REV	Drawing Number	Sheet 4 of 6
------------	--------------	------------	--------------	--------	-----	----------------	--------------

A



(24pin_1.5t)

Engineer	CHIMERA_M07	
Drawn by		
R&D CHK	TITLE:	Size A3
DOC CTRL CHK	CAMERA_PART	
MFG ENGR CHK		
QA CHK	REV	Sheet 5 of 6



Engineer	CHIMERA_M07	
Drawn by		
R&D CHK	TITLE:	Size A3
DOC CTRL CHK	LCD & KEY & B/L	
MFG ENGR CHK		

Changed by	Date Changed	2003.10.07	Time Changed	QA CHK	REV	Drawing Number	sheet 6 of 6
------------	--------------	------------	--------------	--------	-----	----------------	--------------