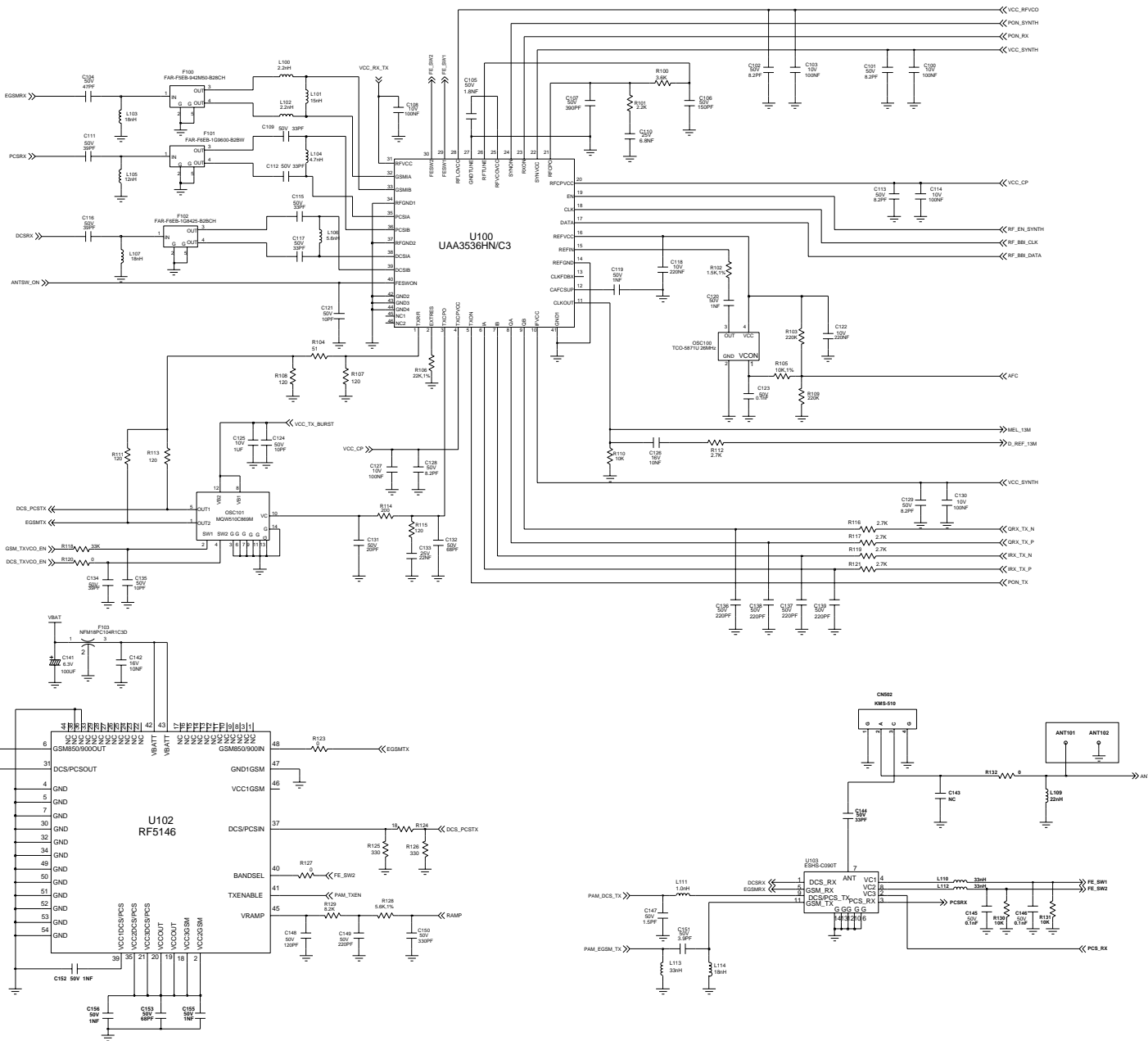
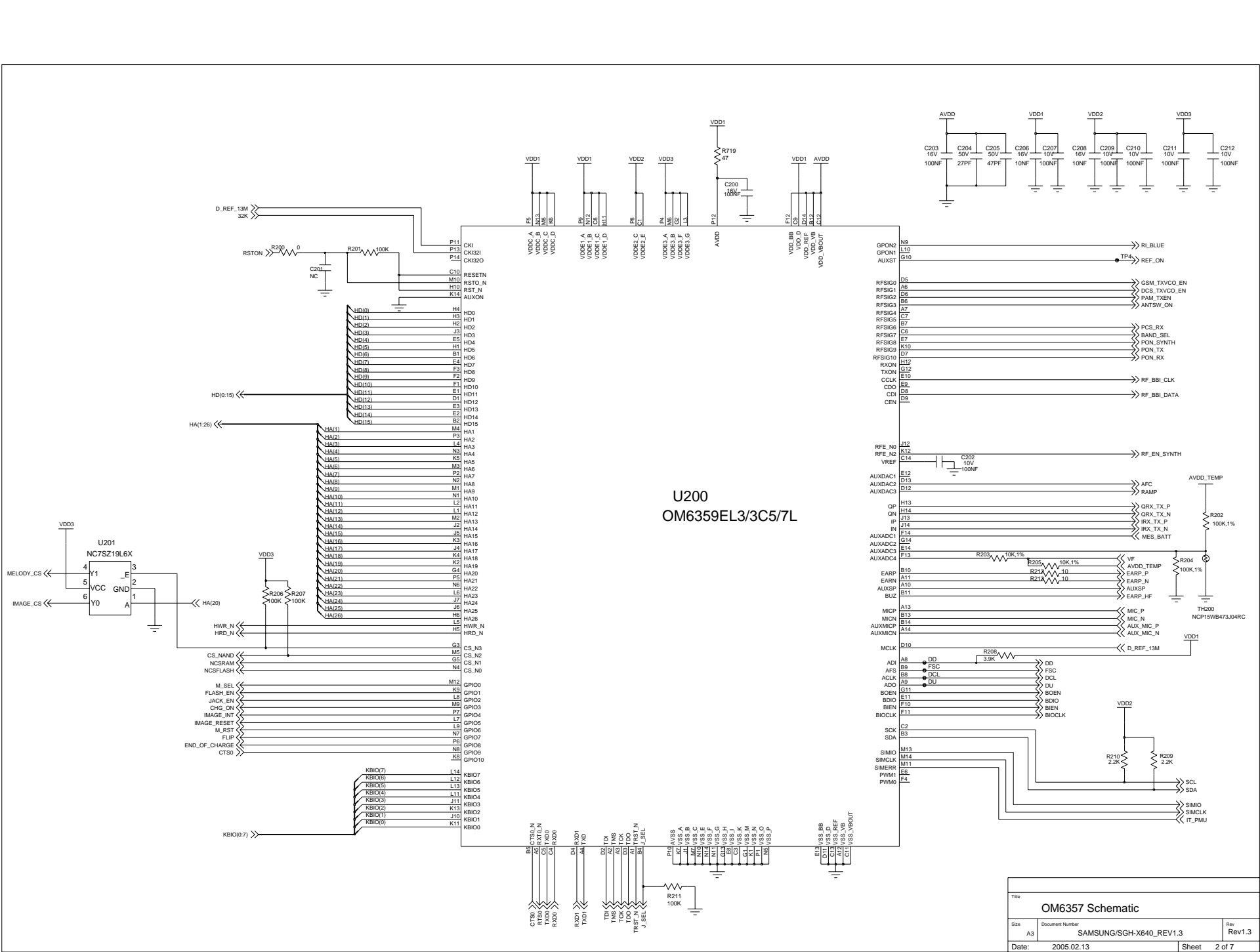


NC1	NC2	NC3	NC4	NC5	NC6	GND1	VBUS	D_P	D_N	SPK_P	SPK_N	MIC_P	MOT_P	NC7	NC8
TRST	TD0	TD1	TMS	TCK	FWE	BATT	GND2	C_OK	RXD	TXD	CTS	RTS	J_REC	NC9	ANT

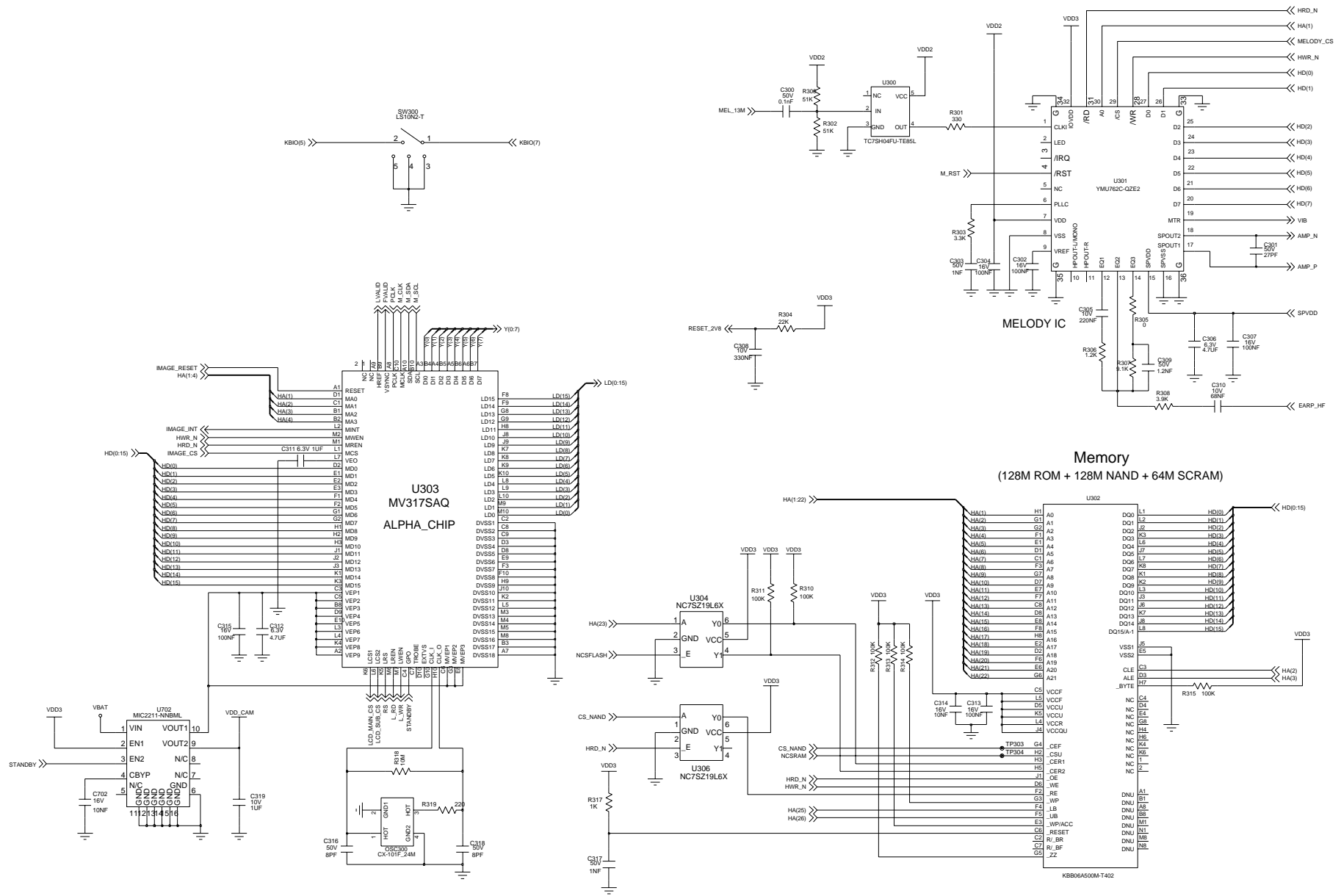


	VC1(VC_DCS)	VC2(VC_PCS)	VC3(VC_EGSM)
EGSM_TX	1	0	0
EGSM_RX	0	0	0
DCS/PCS_TX	0	1	0
DCS_RX	0	0	0
PCS_RX	0	0	1

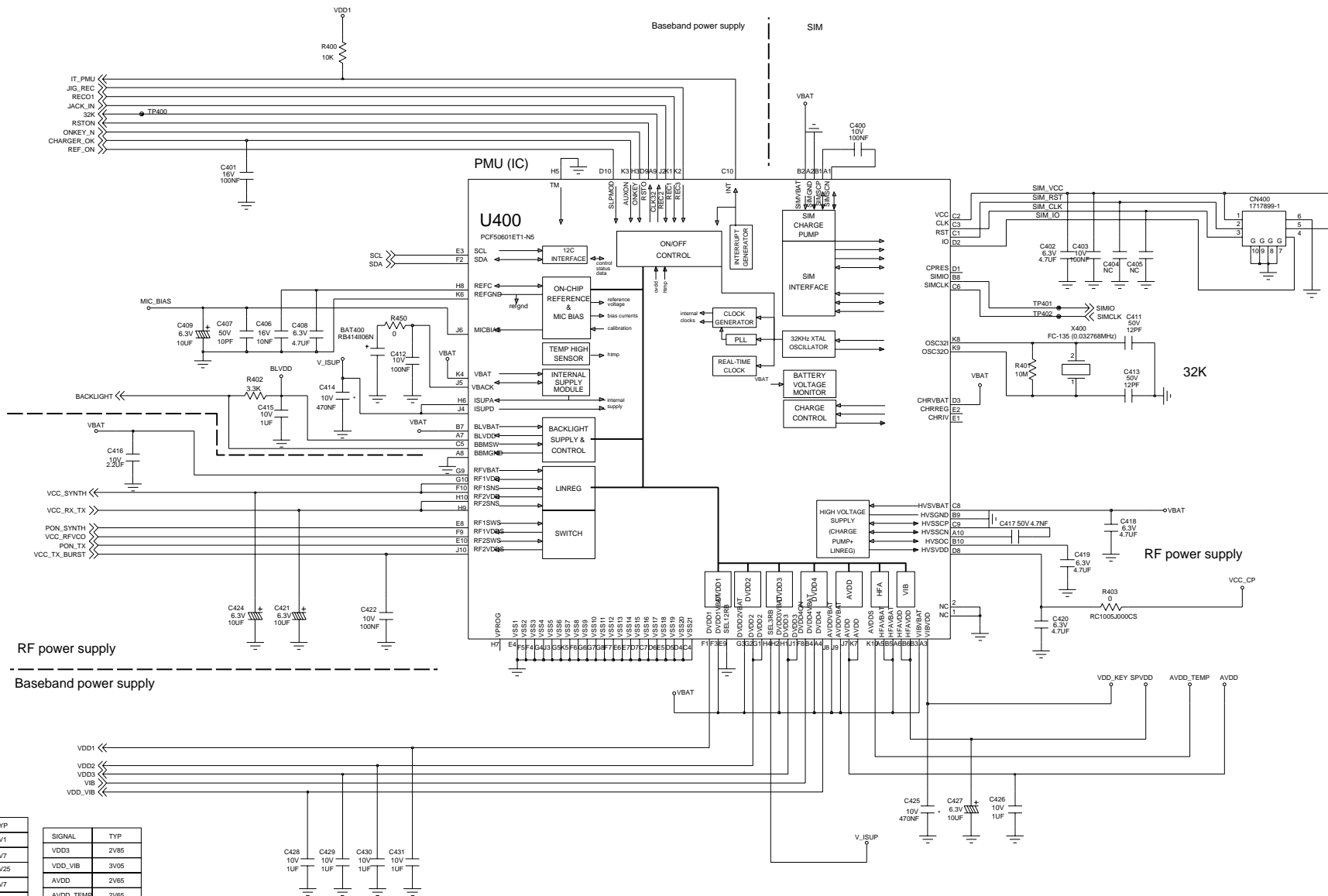


U200
OM6359EL3/3C5/7L

Title			OM6357 Schematic	
Size	Document Number	SAMSUNG/SGH-X640_REV1.3		Rev
A3				Rev1.3
Date:	2005.02.13	Sheet	2 of 7	



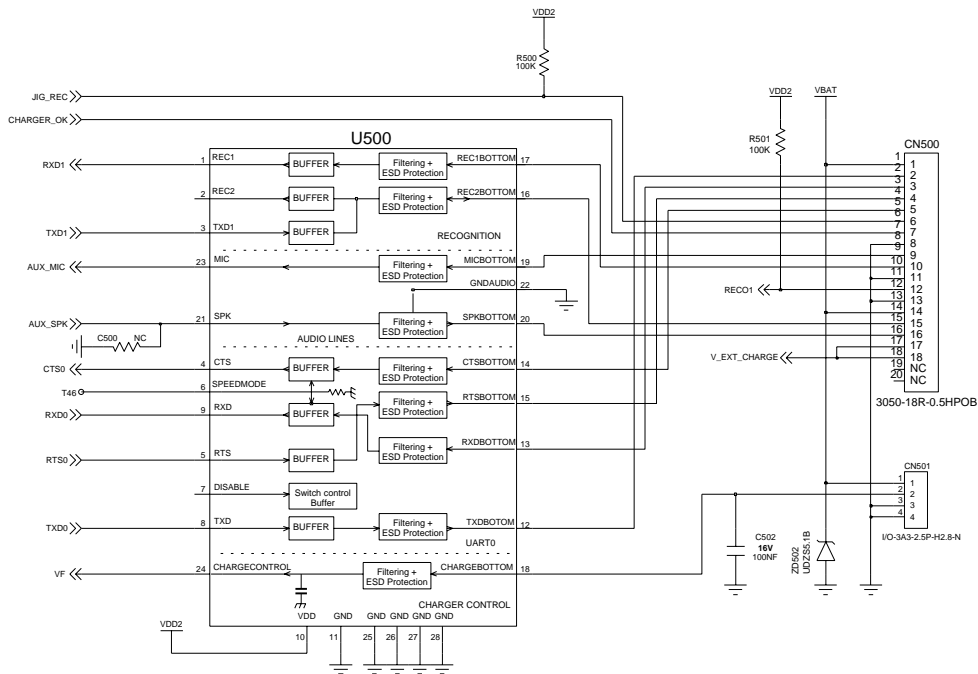
Memory
(128M ROM + 128M NAND + 64M SCRAM)



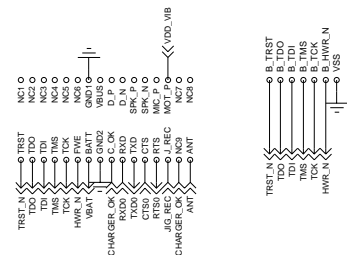
SIGNAL	TYP
MIC_BIAS	2V1
VDD3	2V85
V_ISUP	2V7
BL_VDD	3V25
VCC_SYN	2V7
VCC_RX_TX	2V7
VCC_RF_VCO	2V7
VCC_RX_BURST	2V7
VDD1	1V35 2V35
VDD2	2V85

SIGNAL	TYP
VDD3	2V85
VDD_VIB	3V05
AVDD	2V85
AVDD_TEMP	2V65
VDD_AMP	3V05
VDD_KEY	2V95
VCC_CP	4V
SIMVDD	3V 5V

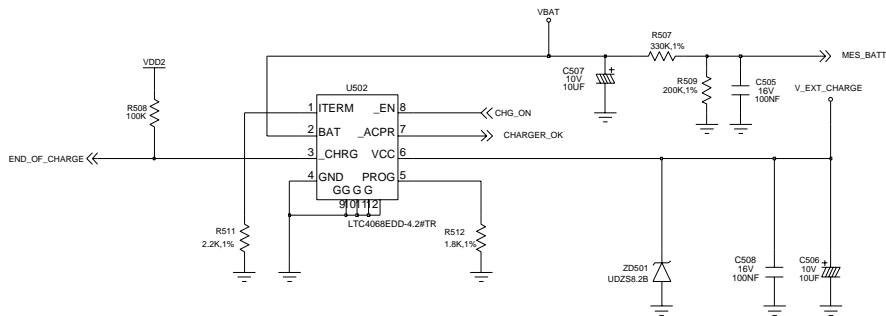
Digital External Interface



NEW-SPEC J TAG



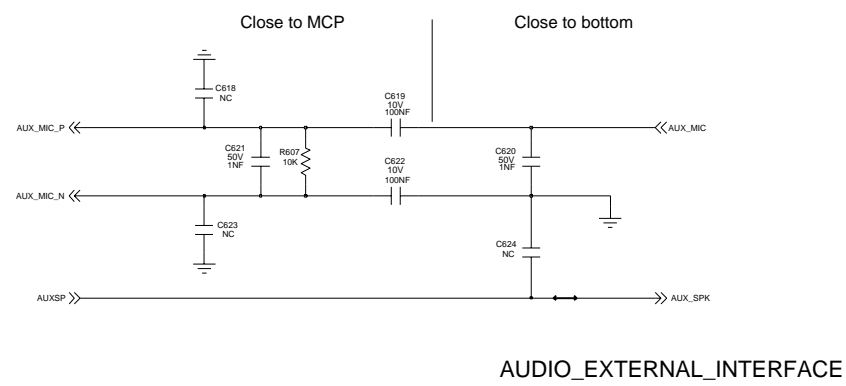
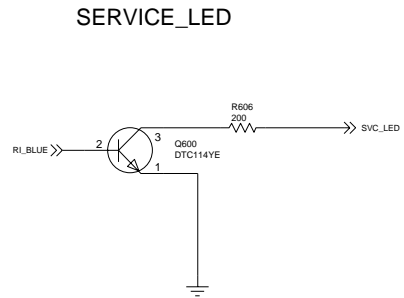
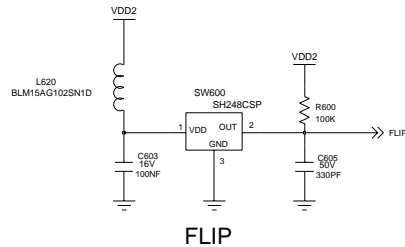
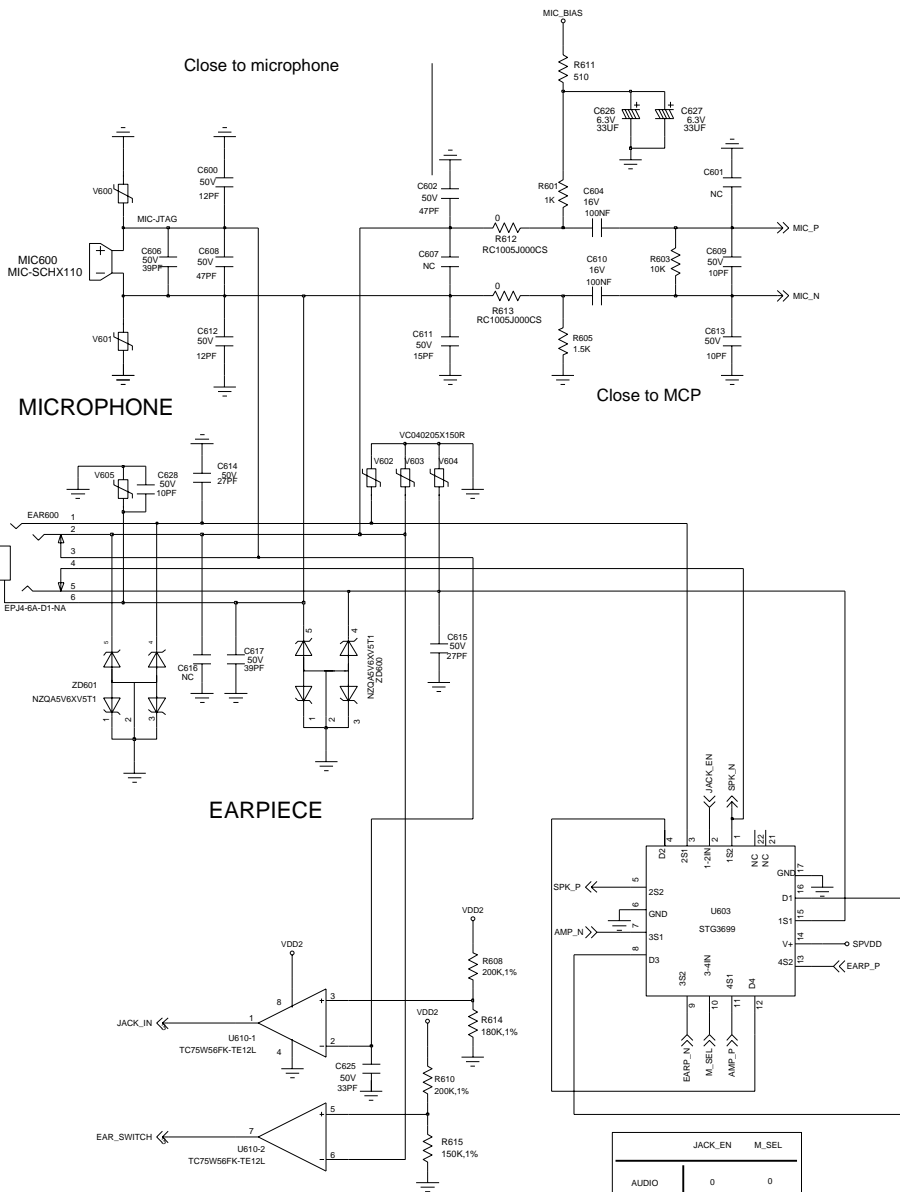
Charge of Battery



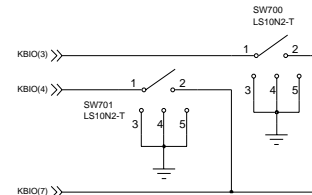
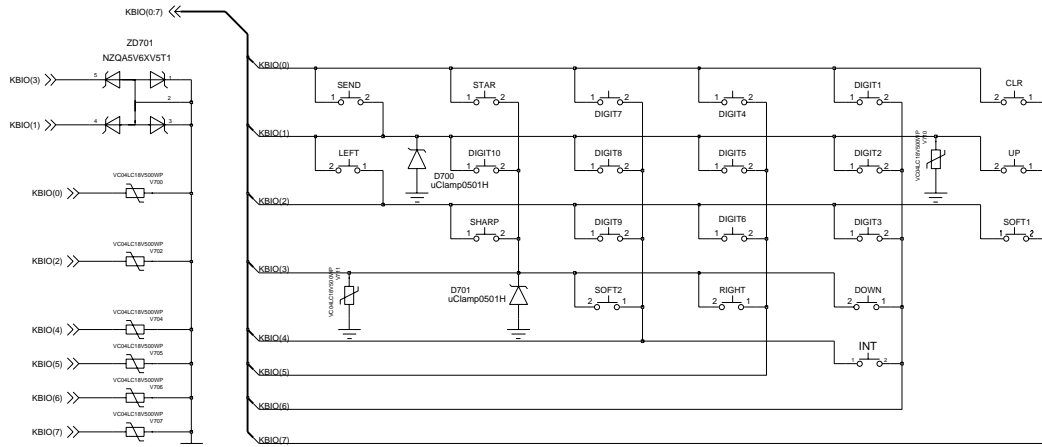
PCB_HOLE



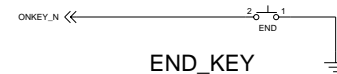
Title			IF Connector & Charging Schematic		
Size	Document Number	SAMSUNG/SGH-X640_REV1.3		Rev	Rev1.3
Date:	2005.02.13	Sheet	5 of 7		



	JACK_EN	M_SEL
AUDIO	0	0
AUDIO	1	0
MELODY	0	1
TMI	1	1

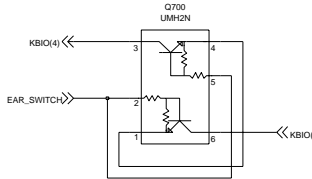


SIDE_KEY

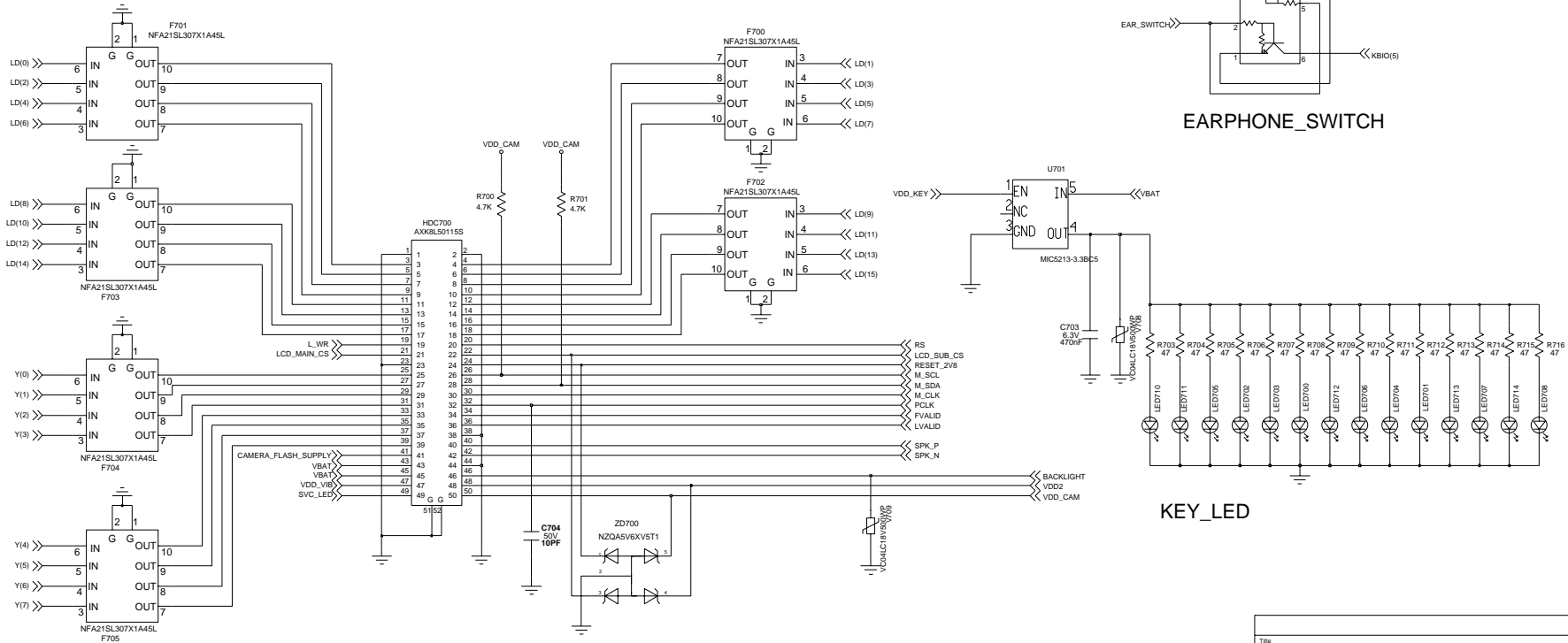


END_KEY

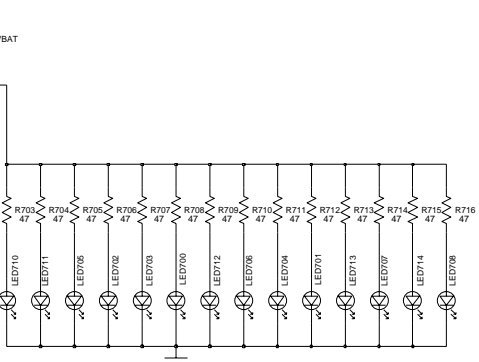
KEY_MAP



EARPHONE_SWITCH



LCD_CONNECTOR



KEY_LED

Title			
KEY Schematic			
Size	Document Number	SAMSUNG/SGH-X640_REV1.3	Rev
A3			REV1.3
Date:	2005.02.13	Sheet	7 of 7