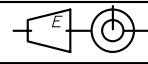


Confidential

Approved according to 00021-LXE 107 42/1

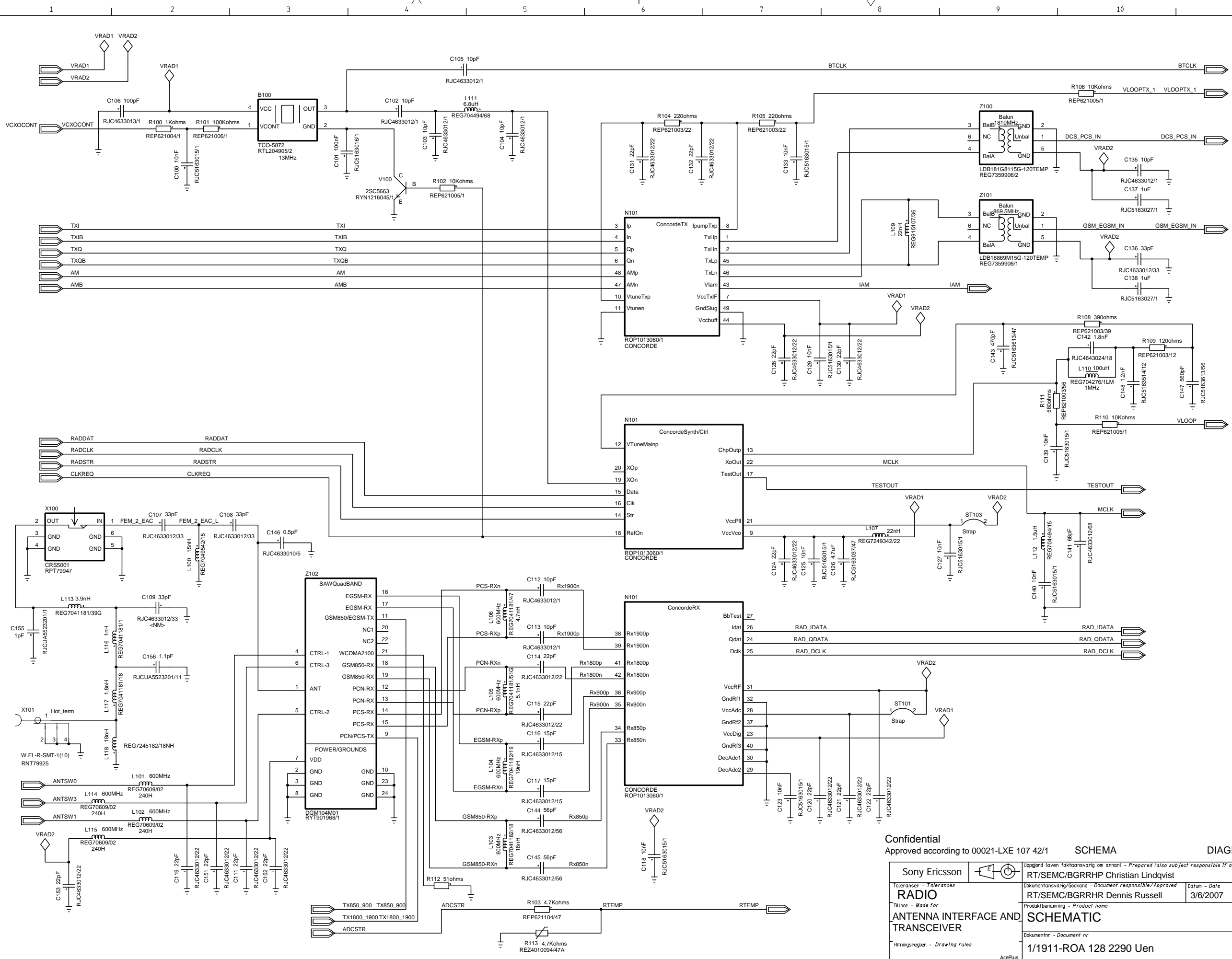
SCHEMA

DIAGRAM

Sony Ericsson <small>Toleranser - Tolerances</small> RADIO <small>Tillhör - Made for</small> RADIO Top <small>Ritningsregler - Drawing rules</small>		Uppgjord (aven faktaansvarig om annan) - Prepared (also subject responsible if other) RT/SEMC/BGRRHP Christian Lindqvist		
		<small>Dokumentansvarig/Godkänd - Document responsible/Approved</small> RT/SEMC/BGRRHR Dennis Russell	<small>Datum - Date</small> 3/6/2007	<small>Rev</small> D
		<small>Produktbenämning - Product name</small> SCHEMATIC		
		<small>Dokumentnr - Document nr</small> 1/1911-ROA 128 2290 Uen	<small>Blad - Sheet</small> 1 (3)	

LZF 030 103/F RB

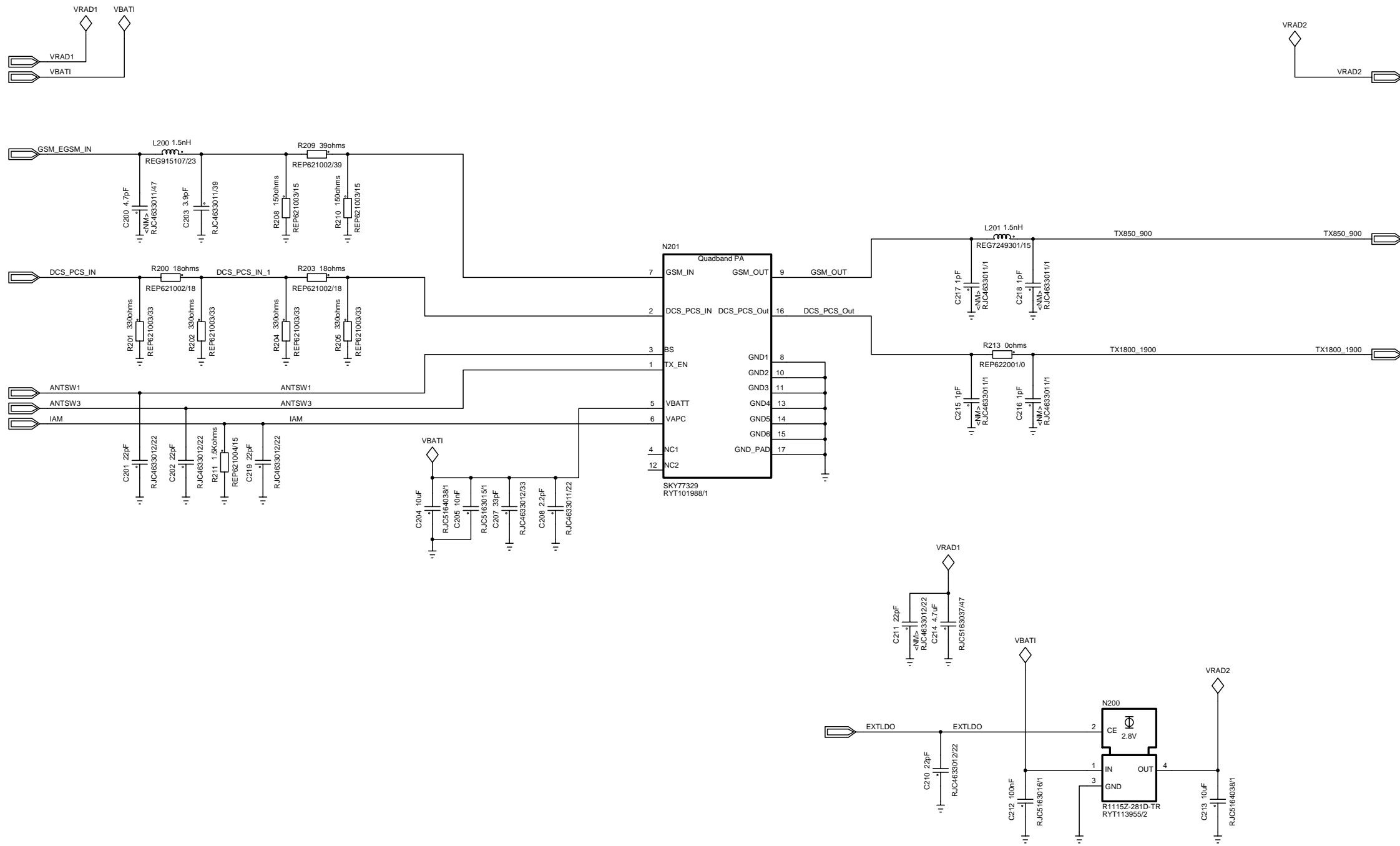
AcePlus



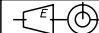
Confidential
Approved according to 00021-LXE 107 42/1 SCHEMA DIAGRAM

Sony Ericsson Toleranser - Tolerances RADIO Tillhör - Made for ANTENNA INTERFACE AND TRANSCIEVER Ritningsregler - Drawing rules		Uppgord (oven faktaansvarig om annan) - Prepared (also subject responsible if other) RT/SEMC/BGRRHP Christian Lindqvist Dokumentansvarig/Godkänd - Document responsible/Approved RT/SEMC/BGRRHR Dennis Russell Produktbenämning - Product name SCHEMATIC Dokumentnr - Document nr 1/1911-ROA 128 2290 Uen	
Datum - Date 3/6/2007		Rev D	
Blad - Sheet 2 (3)		AcePlus	

LZF 030 102/F RB



Confidential
Approved according to 00021-LXE 107 42/1 SCHEMA DIAGRAM

Sony Ericsson 		Uppgård (oven faktaansvarig om annan) - Prepared (also subject responsible if other)	
RADIO Tillhör - Made for TX POWER AMPLIFIER AND PA CONTROLLER		RT/SEMC/BGRRHP Christian Lindqvist Dokumentansvarig/Godkänd - Document responsible/Approved	Datum - Date 3/6/2007
Ritningsregler - Drawing rules		Produktbenämning - Product name SCHEMATIC	
AcePlus		Dokumentnr - Document nr 1/1911-ROA 128 2290 Uen	Blad - Sheet 3 (3)

LZF 030 102/F RB