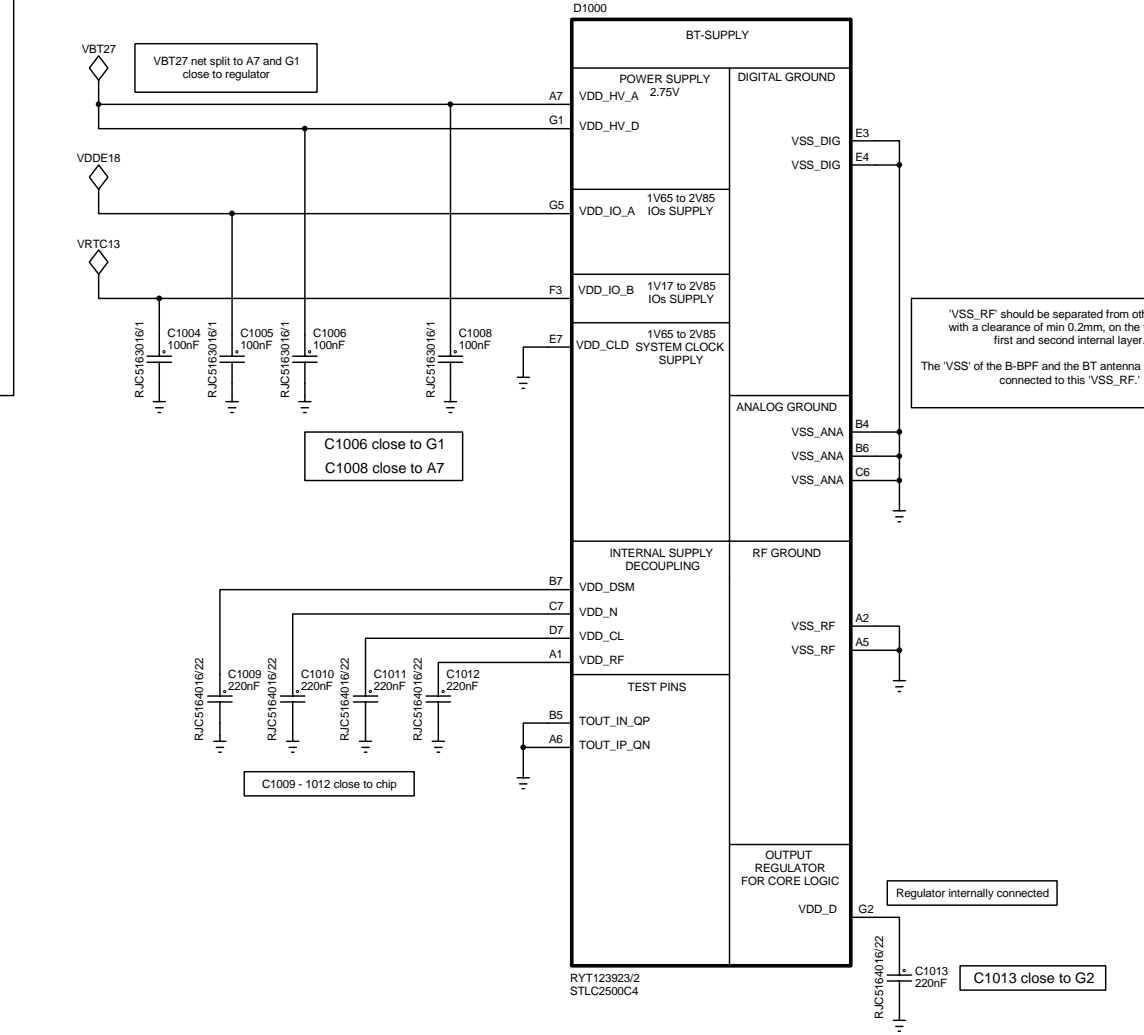
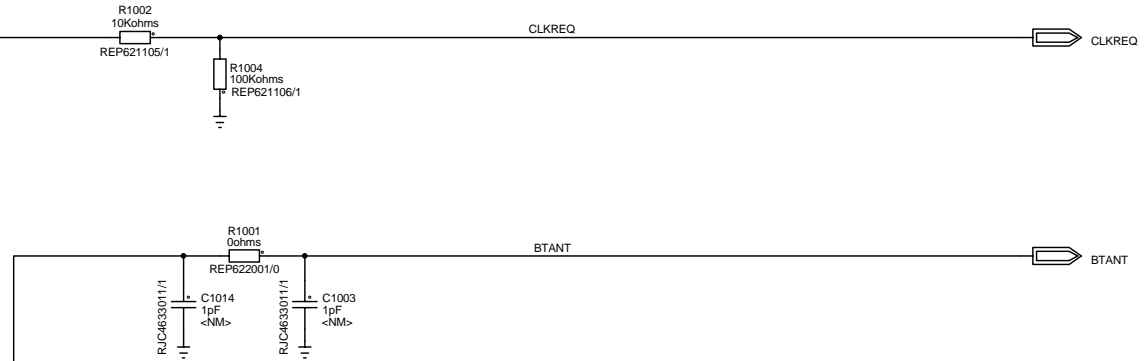
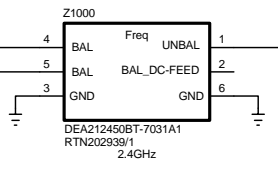
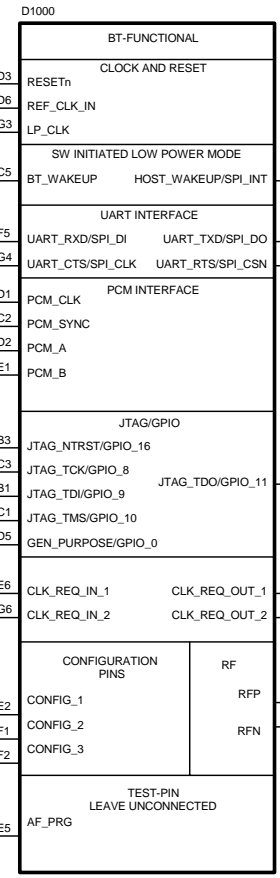
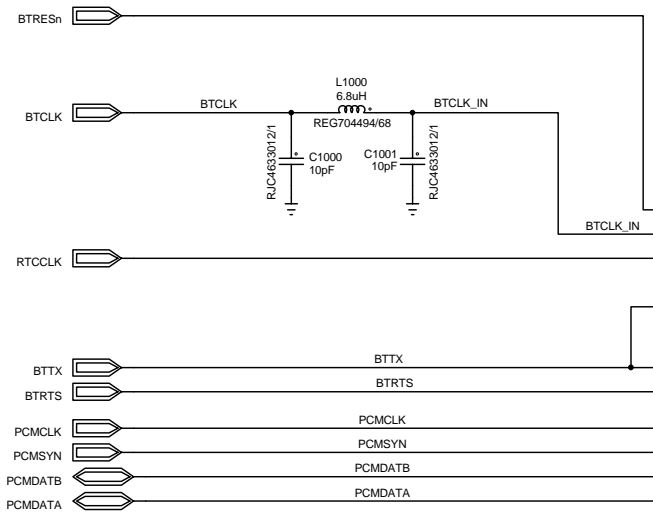


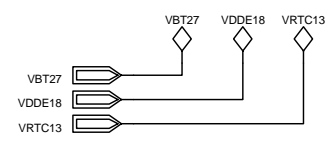
The routing of BTCLK_IN should be done with extra care, i.e. to avoid noisy signals. It is crucial that the reference clock supplied to BT is free of noise to be able to guarantee a good radio performance. Especially cross talks from surrounding digital signals must be avoided.



VSS_RF should be separated from other VSS, with a clearance of min 0.2mm, on the top layer, first and second internal layer. The VSS of the B-BPF and the BT antenna should also be connected to this VSS_RF.

Do not connect!

Regulator internally connected



Confidential
Approved according to 00021-LXE 107 42/1 SCHEMA DIAGRAM

Sony Ericsson		Uppgjord (given faktaansvarig om annan) - Prepared (also subject responsible if other)	
Toleranser - Tolerances		RT/SEMC/BGRRHP Christian Lindqvist	
Tillhör - Made for		Dokumentansvarig/Godkänd - Document responsible/Approved	Datum - Date
Bluetooth		RT/SEMC/BGRRHD Norbert Ingram	3/6/2007
Ritningsregler - Drawing rules		Produktbenämning - Product name	
		SCHEMATIC	
		Dokumentnr - Document nr	Blad - Sheet
		3/1911-ROA 128 2290 Uen	1 of 1

LZF 030 102/F RB