



Part List, SP/Mech

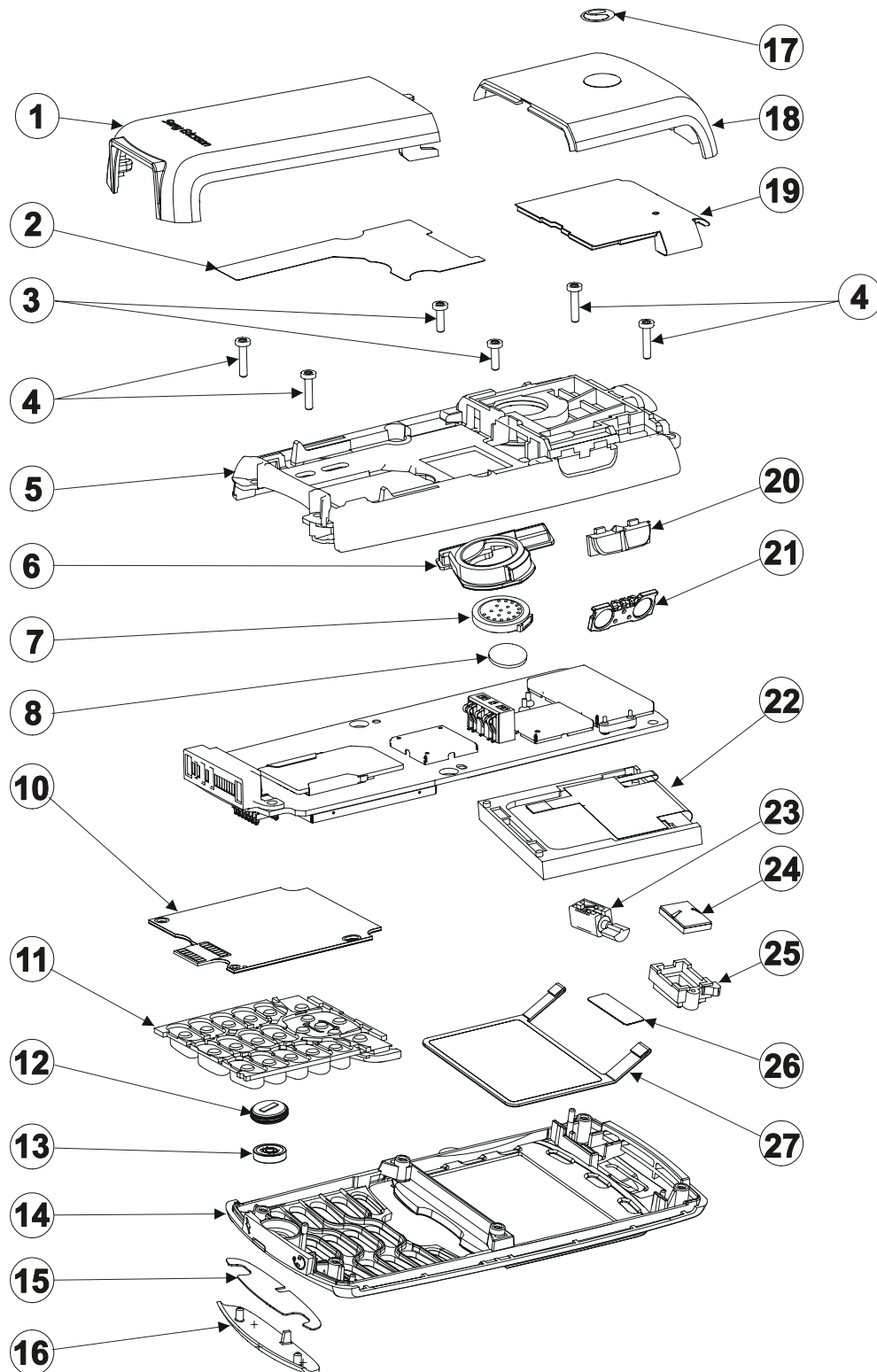
Applicable for T230, T238

Contents

1	Exploded View.....	2
2	Common Parts.....	3
3	Variant Parts	3
4	Revision History	4



1 Exploded View





2 Common Parts

Pos	Description	Part Number	Comments
1	Battery Door, Silver	SXA 134 1688/5	
2	Label	SVF 930 2239	Requires LabelMake capability
3	Screw, 4.5mm (black)	SXA 109 3391/54	Quantity two
4	Screw, 7.4mm (gold)	SXA 109 3391/74	Quantity four
6	Speaker Grommet	SXA 134 1712	
7	Polyphonic Speaker , 15 mm	RLE 907 16	
8	Speaker Pad	SXA 134 900	
10	Keypad PCB Assembly Complete	SXK 109 5304/Z	
12	Microphone Grommet	SXA 134 0216	
13	Microphone	RLC 509 409/43	
15	Cobrand Tape	SXA 134 1750	
17	SEMC Icon, Plastic 8mm	SXA 109 3019	
18	Antenna Cover, Silver	SXA 134 1696/5	
19	Antenna Assembly	SXK 109 5826/2	
21	Side Volume Switch	RMD 955 116/1	
22	LCD	RNH 942 213	
23	Vibrator Complete	BKE 903 24	
24	Receiver (Loudspeaker)	RLE 907 21	
25	Receiver Gasket	SXA 134 1689	
26	Speaker Cloth	SXA 134 1693	
27	Dust Gasket	SXA 134 1715	

3 Variant Parts

Pos	Description	Part Number	Comments
14	Front Assembly, silver cover, dark blue window	SXK 107 1548/5	(T230 and T238)
5	Frame, dark blue	SXA 134 1694/2	Requires LabelMake capability (T230 and T238)
	Frame, grey	SXA 134 1694/6	Requires LabelMake capability (T230 and T238)
20	Side Volume Button, dark blue	SXA 134 1695/2	(T230 and T238)
	Side Volume Button, grey	SXA 134 1695/6	(T230 and T238)



Variant Parts Continued

Pos	Description	Part Number	Comments
11	Keypad Complete, silver keys/ dark blue navigation button	SXK 109 5297/51	Latin (T230 and T238)
		SXK 109 5297/52	Hebrew
		SXK 109 5297/53	Cyrillic
		SXK 109 5297/54	Arabic
		SXK 109 5297/55	Thai
		SXK 109 5297/56	Chinese Stroke (T238 ONLY)
		SXK 109 5297/57	Chinese Bopomofo
		SXK 109 5297/58	Greek
		SXK 109 5297/59	Hindi
	Keypad Complete, silver keys/ grey navigation button	SXK 109 5297/61	Latin (T230 and T238)
		SXK 109 5297/62	Hebrew
		SXK 109 5297/63	Cyrillic
		SXK 109 5297/64	Arabic
		SXK 109 5297/65	Thai
		SXK 109 5297/66	Chinese Stroke (T238 ONLY)
		SXK 109 5297/67	Chinese Bopomofo
		SXK 109 5297/68	Greek
		SXK 109 5297/69	Hindi
16	Cobrand Inlay, silver	SXA 134 1732/5	Generic (T230 and T238)
	Cobrand Inlay, silver	SXA 134 1732/225	Orange
	Cobrand Inlay, silver	SXA 134 1732/285	Vodafone Red
	Cobrand Inlay, silver	SXA 134 1732/315	TIM
	Cobrand Inlay, silver	SXA 134 1732/345	Orange + Model #

4 Revision History

Revision	Date	Changes / Comments
A	2003-09-25	Initial Release
B	2003-10-17	Added notes to the Comments column to designate which parts are shared by both T230 and T238 and which parts are for T238 only. Changed keypad descriptions from "Generic" to "Latin".
C	2003-10-31	Removed "Do Not Reuse" status from microphone grommet. Mandatory replacement is no longer required. Reuse or replace the grommet as necessary.
D	2003-12-12	Removed the following cobrand inlays. They will not be needed until the second quarter of 2004. SXA 134 1732/245 Co brand inlay, Bouygues SXA 134 1732/255 Co brand inlay, Virgin SXA 134 1732/265 Co brand inlay, T-Mobile SXA 134 1732/275 Co brand inlay, Vodafone SXA 134 1732/295 Co brand inlay, O2 SXA 134 1732/335 Co brand inlay, Entel PCS