

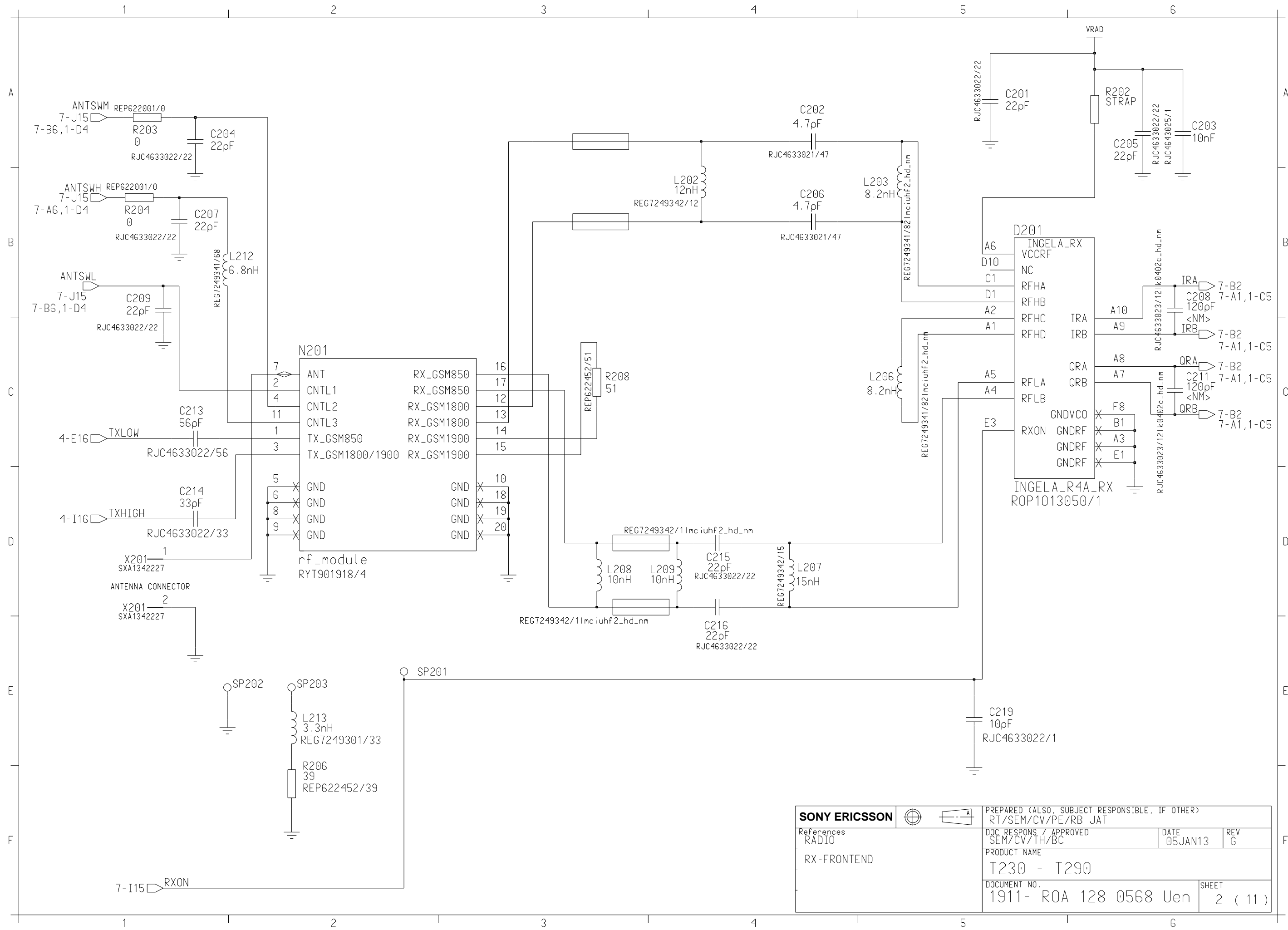
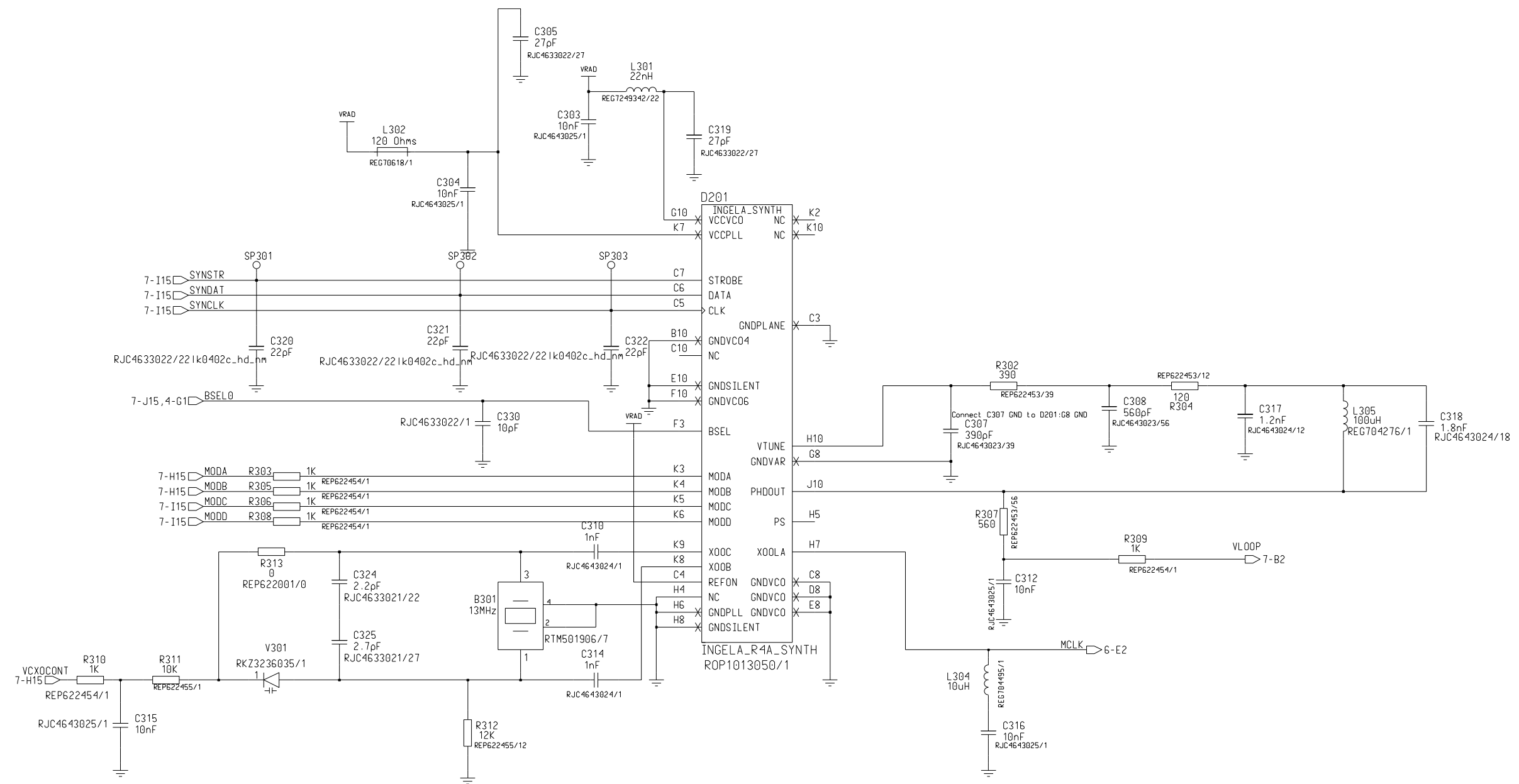


- 2. RX-FRONTEND
- 3. SYNTHESIZER AND MODULATION
- 4. POWER AMPLIFIER
- 5. POWER SUPPLY
- 6. MICROPROCESSOR AND MEMORY
- 7. ANALOG
- 8. POWER MANAGEMENT
- 9. PORTS AND EXTERNAL I/O
- 10. KEYBOARD, ILLUM & BUZZER
- 11. ANNA DSP

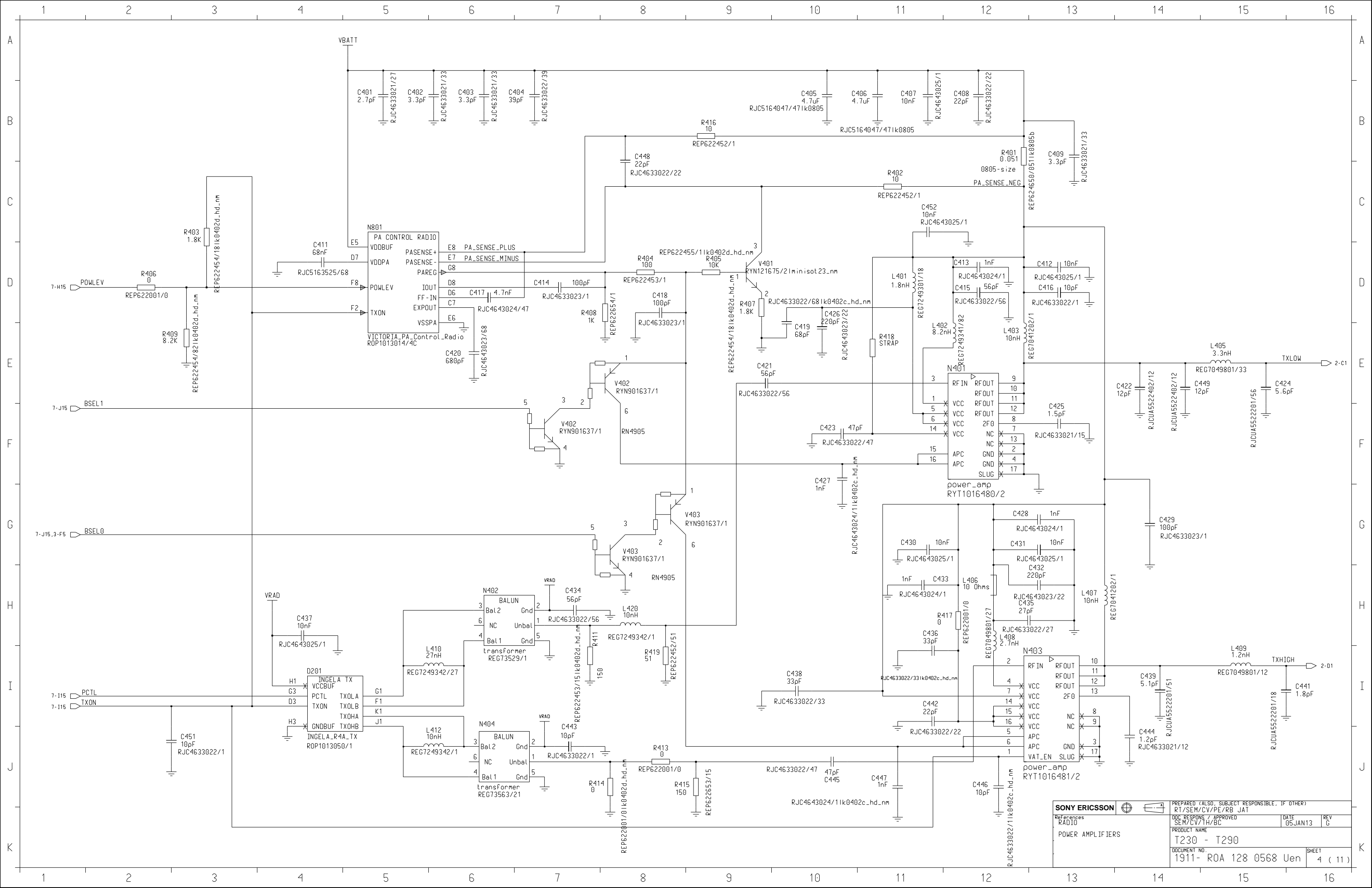
References	SONY ERICSSON  			PREPARED (ALSO, SUBJECT RESPONSIBLE, IF OTHER) RT/SEM/CV/PE/RB JAT		
				DOC. RESPONS. / APPROVED SEM/CV/TH/BC	DATE 05JAN13	REV G
				PRODUCT NAME T230 - T290		
				DOCUMENT NO. 1911- ROA 128 0568 Uen	SHEET 1 (11)	



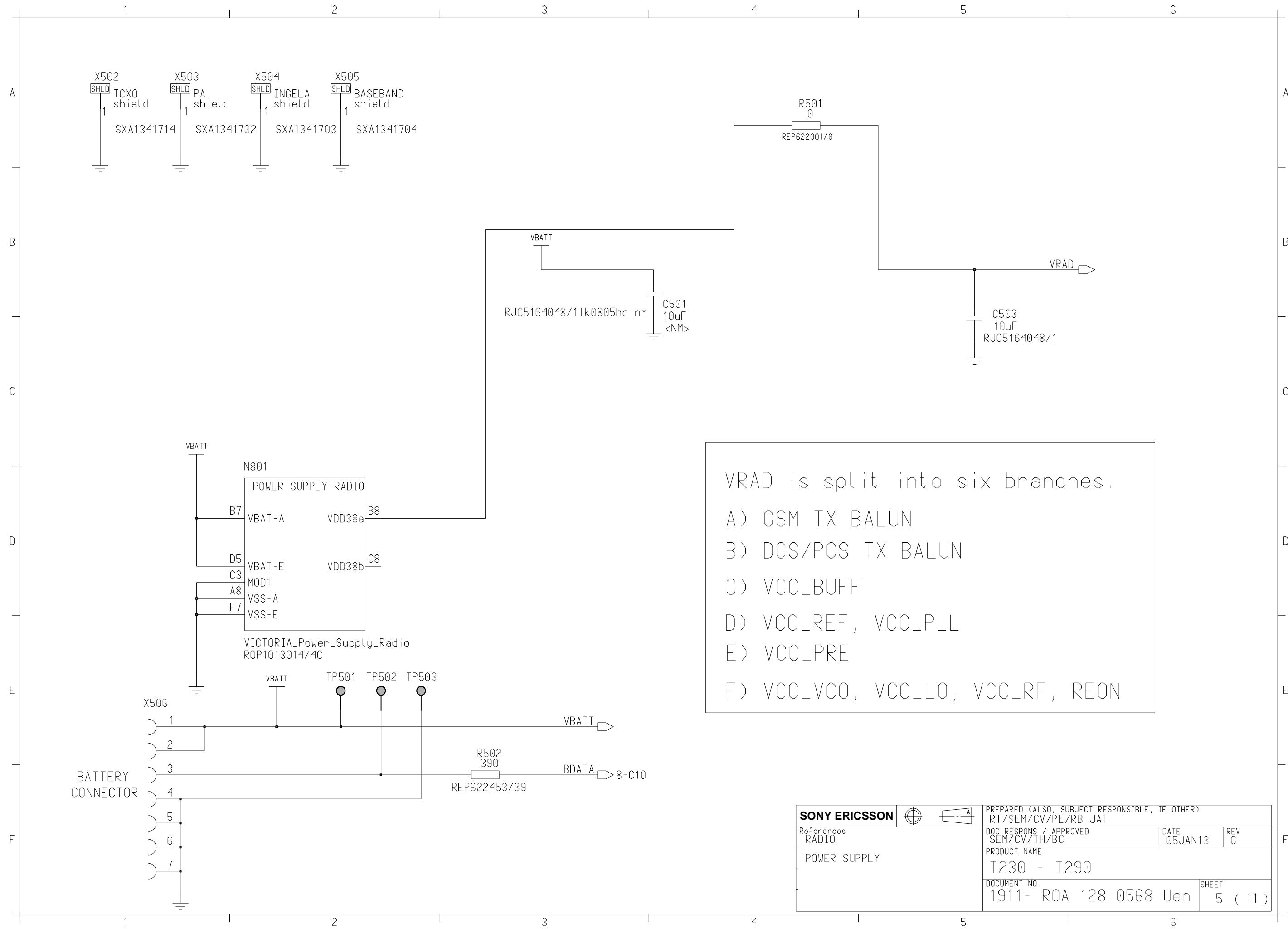
SONY ERICSSON		PREPARED (ALSO, SUBJECT RESPONSIBLE, IF OTHER) RT/SEM/CV/PE/RB JAT	
References RADIO	DQC RESPNS / APPROVED SEM/CV/TH/BC	DATE 05JAN13	REV G
PRODUCT NAME T230 - T290			
DOCUMENT NO. 1911- ROA 128 0568 Uen			SHEET 2 (11)



SONY ERICSSON		PREPARED (ALSO, SUBJECT RESPONSIBLE, IF OTHER)	
RT/SEM/CV/PE/RB JAT		DATE 05JAN13	
DOC. RESPONSE / APPROVED		REV G	
SEM/CV/TH/BC		PRODUCT NAME	
SYNTHESIZER & MODULATION		T230 - T290	
DOCUMENT NO.		SHEET	
1911- ROA 128 0568 Uen		3 (11)	



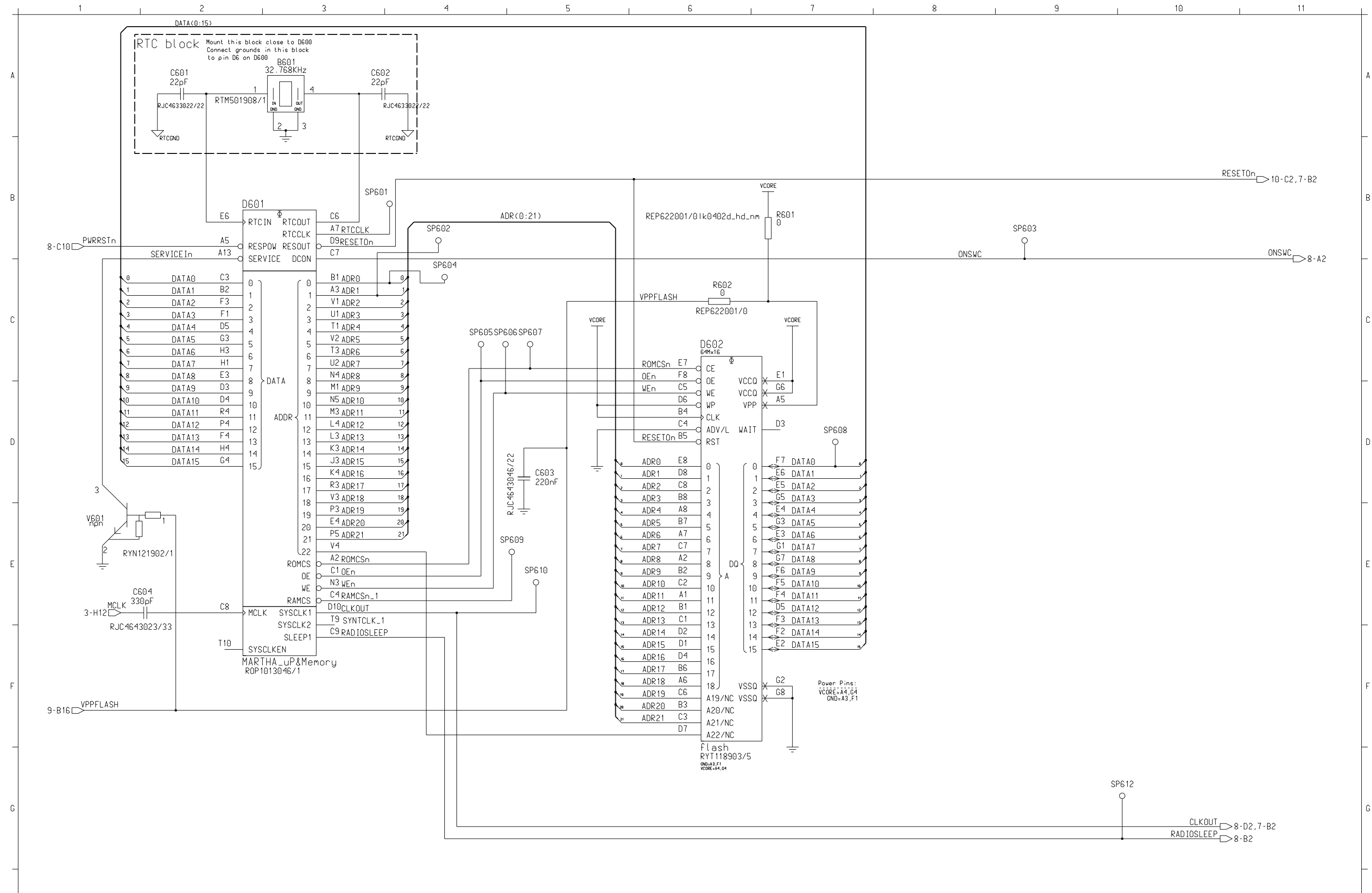
				PREPARED (ALSO, SUBJECT RESPONSIBLE, IF OTHER) RT/SEM/CV/PE/RB/JAT			
References		DOC RESPONS / APPROVED		DATE		REV	
RADIO		SEM/CV/TH/BC		05JAN13		G	
POWER AMPLIFIERS							
T230 - T290							
DOCUMENT NO.							SHEET
1911- ROA 128 0568 Uen							4 (11)



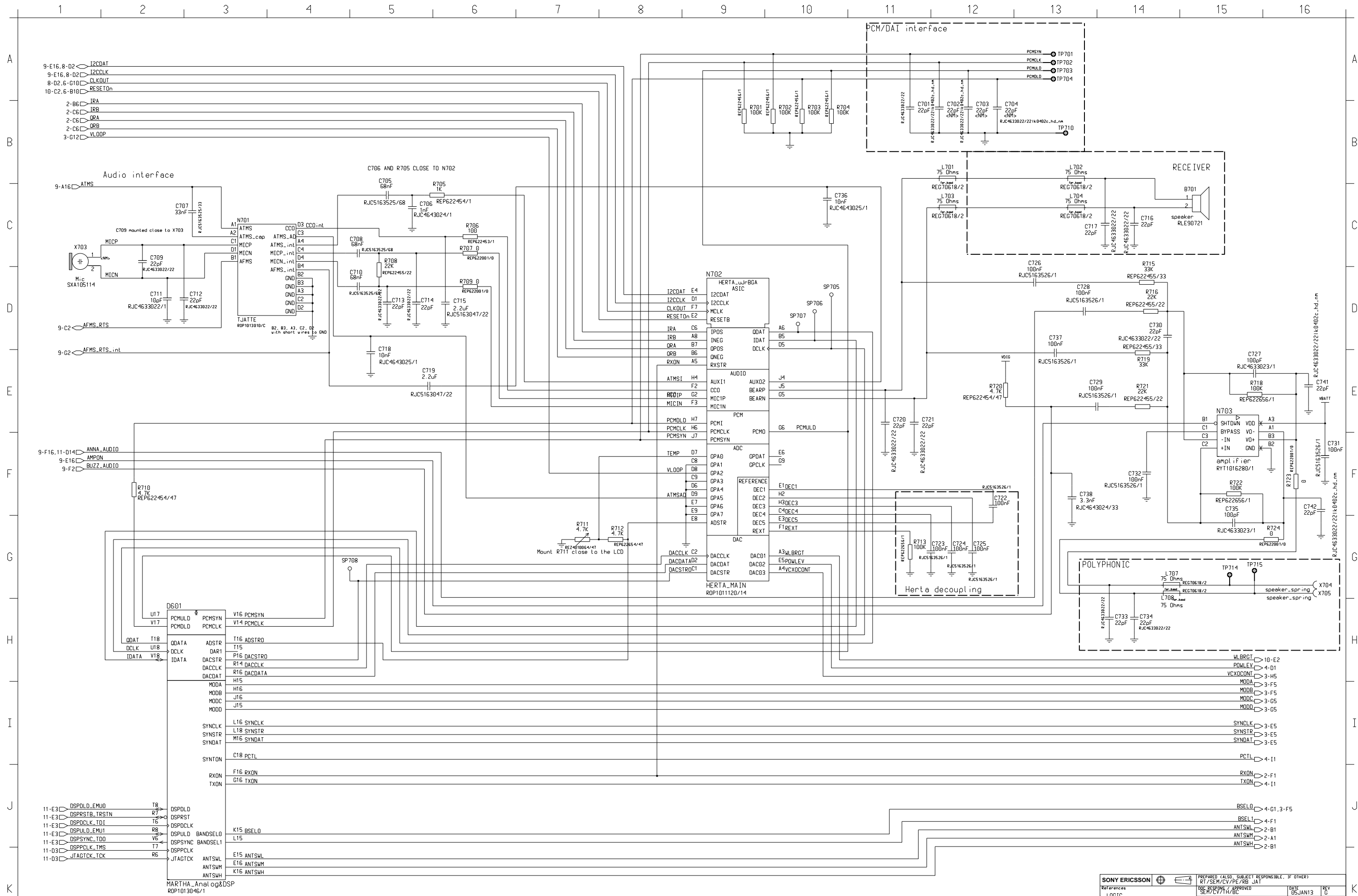
VRAD is split into six branches.

- A) GSM TX BALUN
- B) DCS/PCS TX BALUN
- C) VCC_BUFF
- D) VCC_REF, VCC_PLL
- E) VCC_PRE
- F) VCC_VCO, VCC_LO, VCC_RF, REON

SONY ERICSSON		PREPARED (ALSO, SUBJECT RESPONSIBLE, IF OTHER) RT/SEM/CV/PE/RB JAT	
References RADIO	DQC RESPON / APPROVED SEM/CV/TH/BC	DATE 05JAN13	REV G
POWER SUPPLY		PRODUCT NAME T230 - T290	
DOCUMENT NO. 1911- ROA 128 0568 Uen		SHEET 5 (11)	

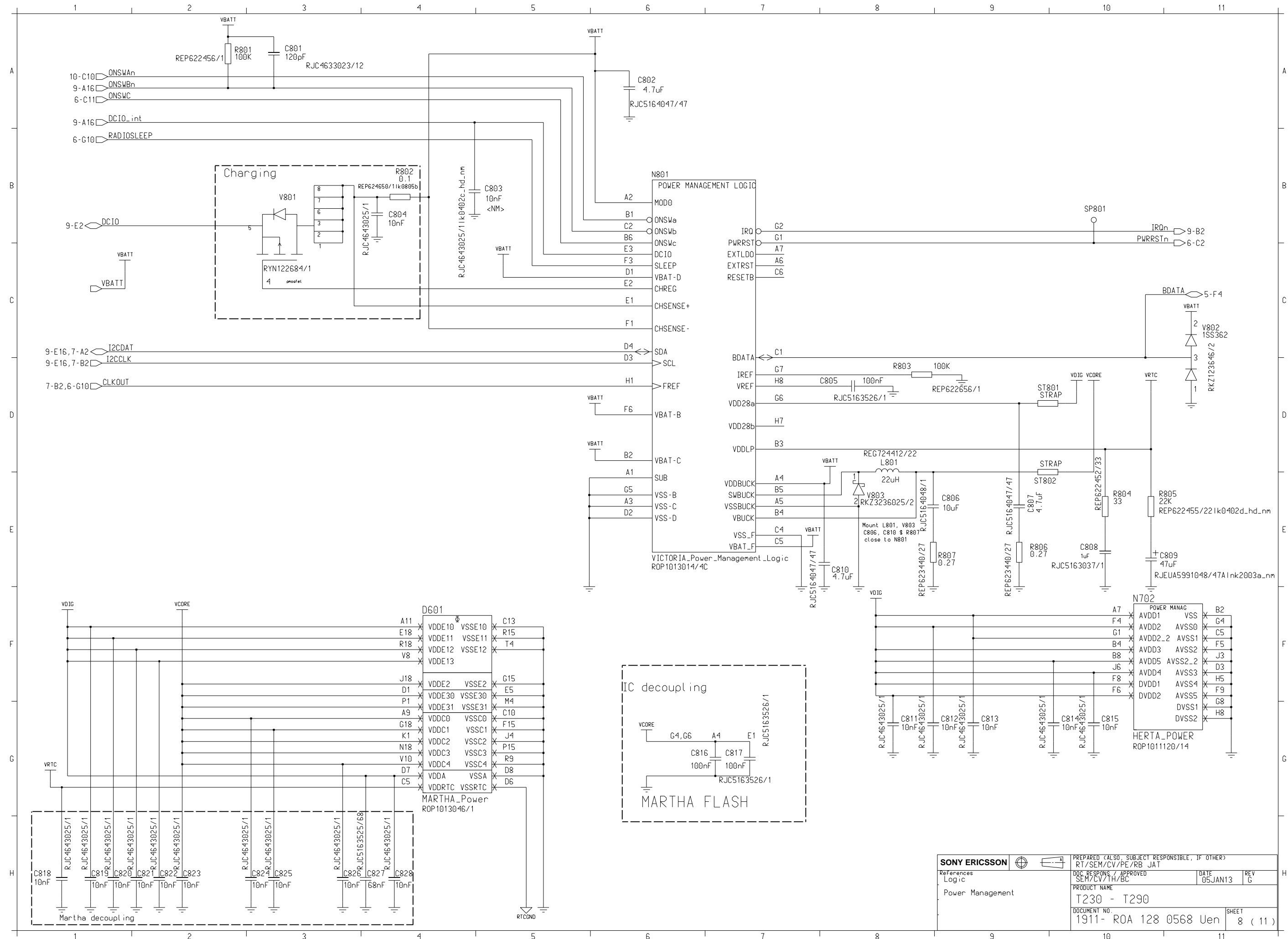


SONY ERICSSON		PREPARED (ALSO SUBJECT RESPONSIBLE, IF OTHER) RT/SEM/CV/PE/RB JAT	
		DOC RESPON / APPROVED SEM/CV/TH/BC	DATE 05JAN13
References Logic uP & Memory		PRODUCT NAME T230 - T290	
		DOCUMENT NO. 1911- R0A 128 0568 Uen	SHEET 6 (11)

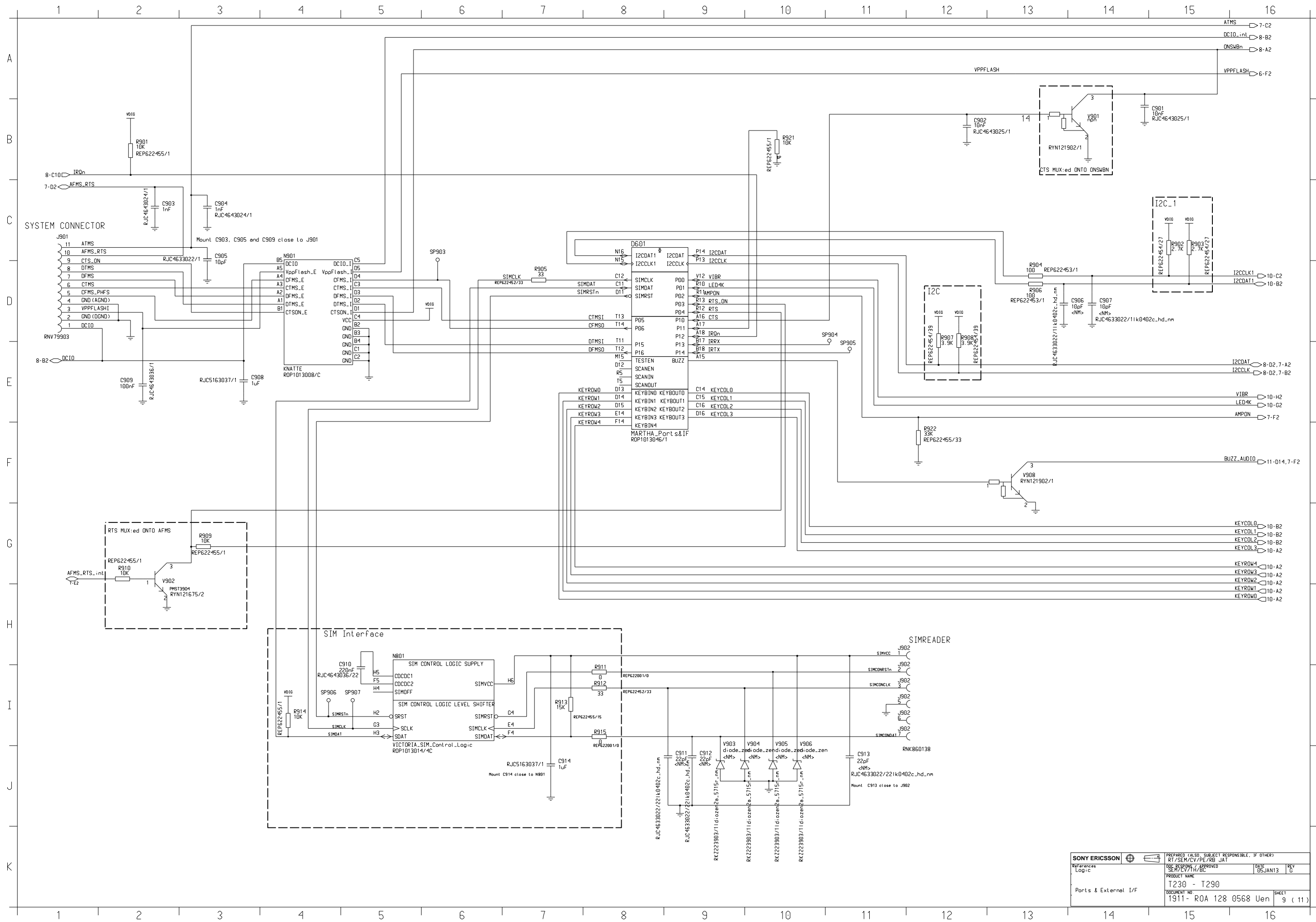


MARTHA_Anal ogDSP
ROP1013046/1

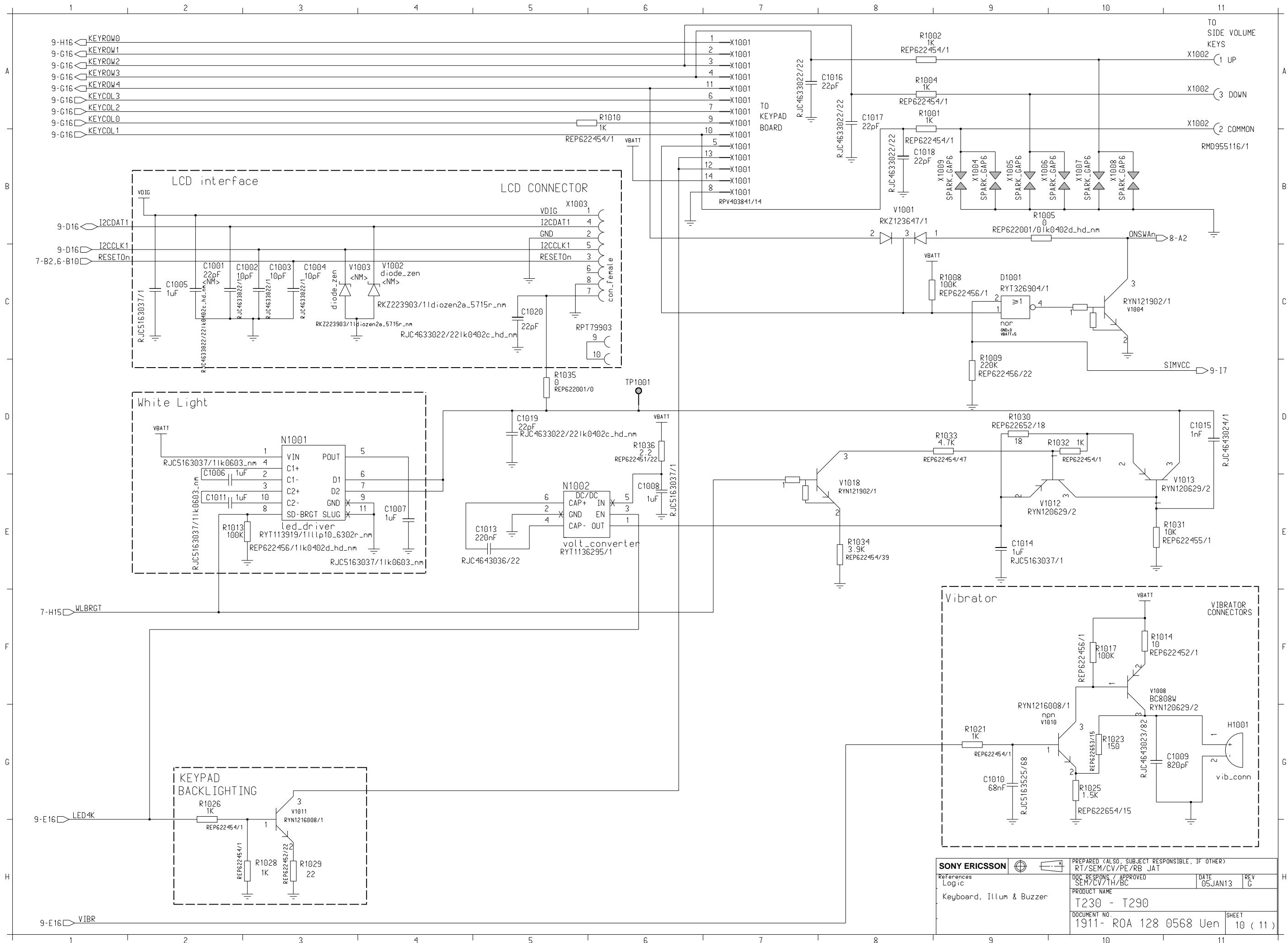
SONY ERICSSON		PREPARED (ALSO SUBJECT RESPONSIBLE, IF OTHER) RT/SEM/CV/PE/RB/JAT	
LOGIC ANALOG	DATE 05JAN13	REV G	SHEET 7 (11)
T230 - T290		DOCUMENT NO 1911 - ROA 128 0568 Uen	



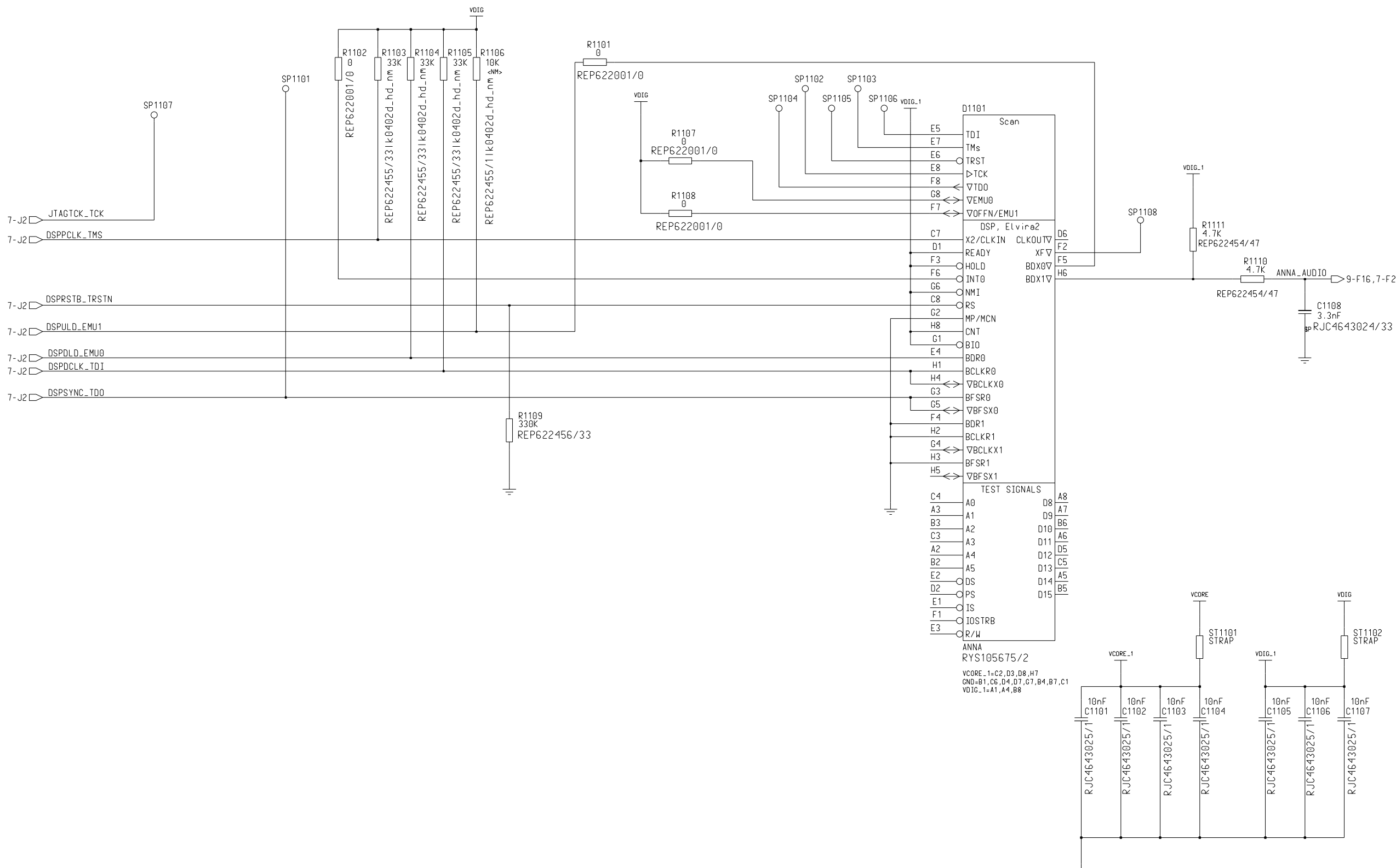
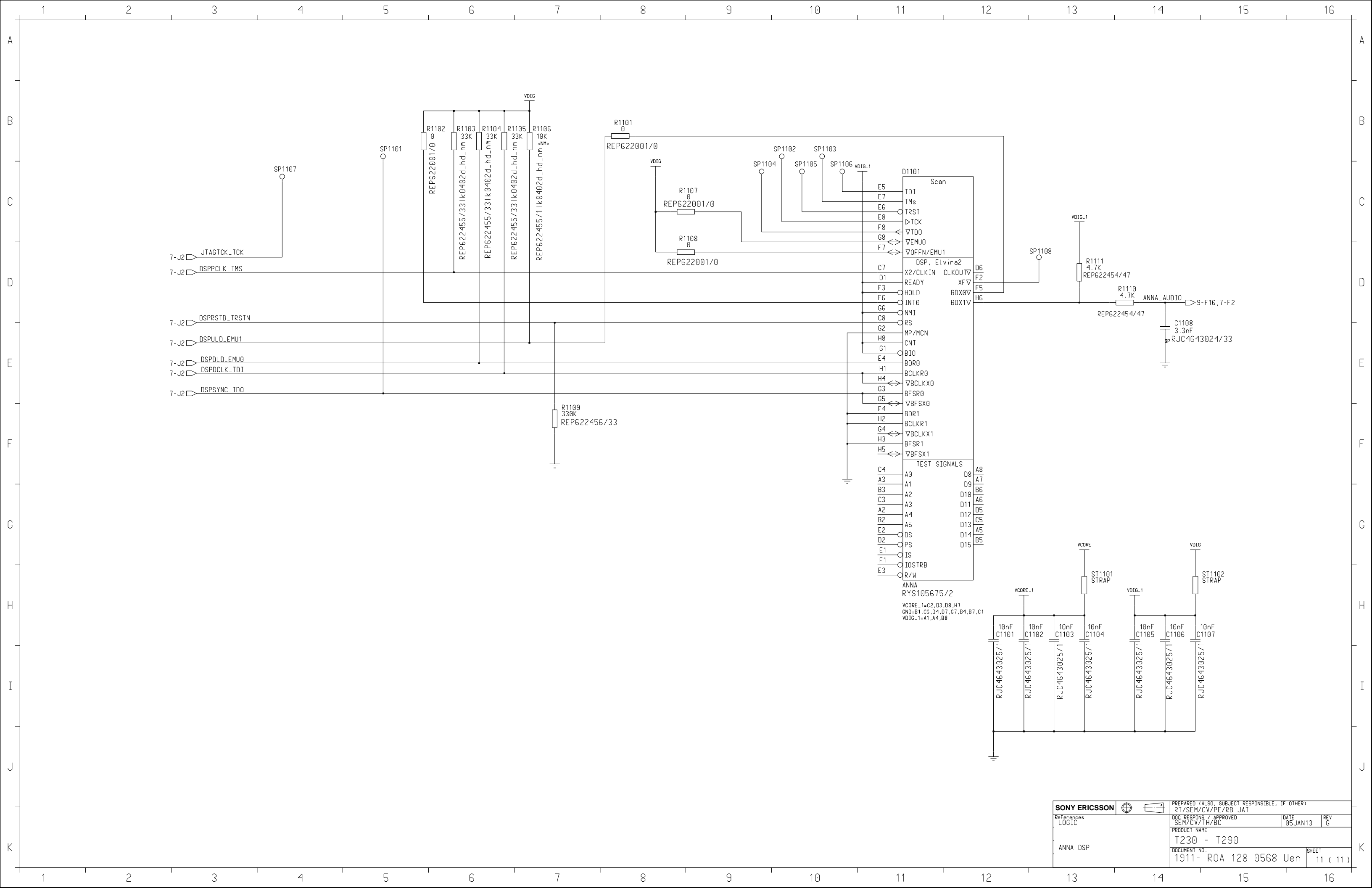
SONY ERICSSON			
References: Logic			
Product Name: T230 - T290		DATE: 05JAN13	
DOCUMENT NO.: 1911- R0A 128 0568 Uen		REV: G	
SHEET: 8		(11)	



SONY ERICSSON		PREPARED (ALSO SUBJECT RESPONSIBLE, IF OTHER) RT/SEM/CV/PE/RB/JAT	
References Logic	DESIGNED BY SEM/CV/11H/BC	APPROVED DATE 05JAN13	REV G
Ports & External I/F		PRODUCT NAME T230 - T290	
DOCUMENT NO 1911-ROA 128 0568 Uen		SHEET 9 (11)	



SONY ERICSSON		PREPARED (ALSO SUBJECT RESPONSIBLE, IF OTHER)	
References Logic		RT/SEM/CV/PE/RB JAT	
Keyboard, Illum & Buzzer		DOC RESPON / APPROVED	DATE 05JAN13
		SEM/CV/TH/BC	REV G
PRODUCT NAME			
T230 - T290			
DOCUMENT NO.			SHEET
1911- R0A 128 0568 Uen			10 (11)



SONY ERICSSON		PREPARED (ALSO, SUBJECT RESPONSIBLE, IF OTHER) RT/SEM/CV/PE/RB JAT	
References LOGIC	DOC. RESPONSE / APPROVED SEM/CV/TH/BC	DATE 05JAN13	REV G
ANNA DSP		PRODUCT NAME T230 - T290	
DOCUMENT NO. 1911- ROA 128 0568 Uen		SHEET 11 (11)	