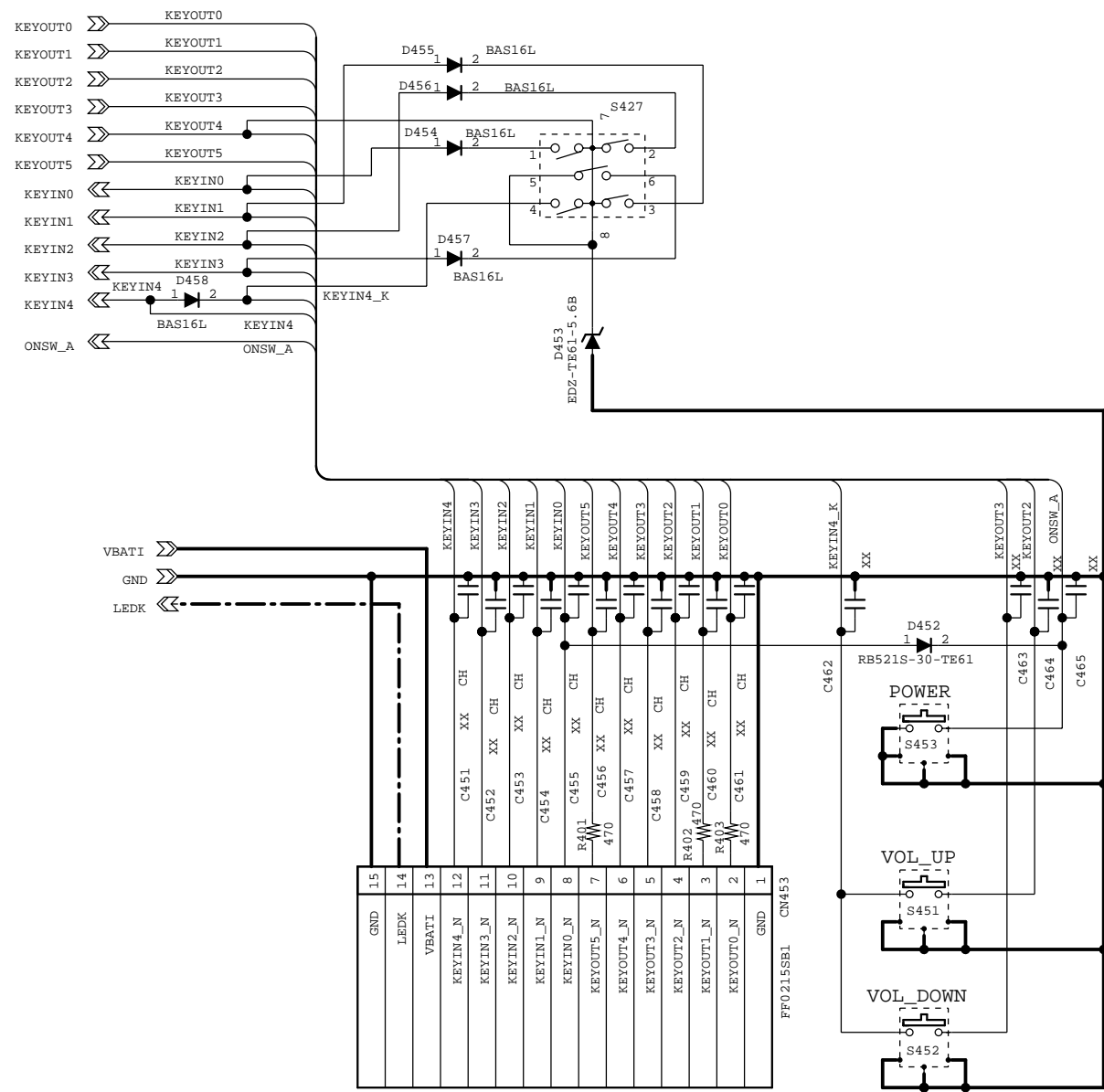


**Confidential**  
Approved according to

**KRETSSCHEMA CIRCUIT DIAGRAM**

Sony Ericsson SEMJ Tooru Sekiguchi  
 Dokumentations-/Ladung - Dokument responsible/Approved Datum - Date 2005-07-29 Rev K  
 Prokollaboration - Product name  
 Mirai Dokumentnr - Document nr 2/1911 - ROA 128 1293/2  
 Ringkregger - Drawing rules 01 of 03





C3 KEYCONNECTOR

Confidential

SCHEMA

DIAGRAM

Approved according to

Sony Ericsson	Uppgord (aven faktaansvarig om annan) - Prepared (also subject responsible if other)		
BASEBAND	SEMCJ Tooru Sekiguchi	Dokumentansvarig/Godkand - Document responsible/Approved	Rev K
KEY	SEMCJ Naohiro Ogawa	Datum - Date	2005-07-29
Ritningsregler - Drawing rules	Mirai	Blad - Sheet	
	2/1911 - ROA 128 1293/2	03 of 03	

102/F RB  
LZF 030