



Part List, Mechanical

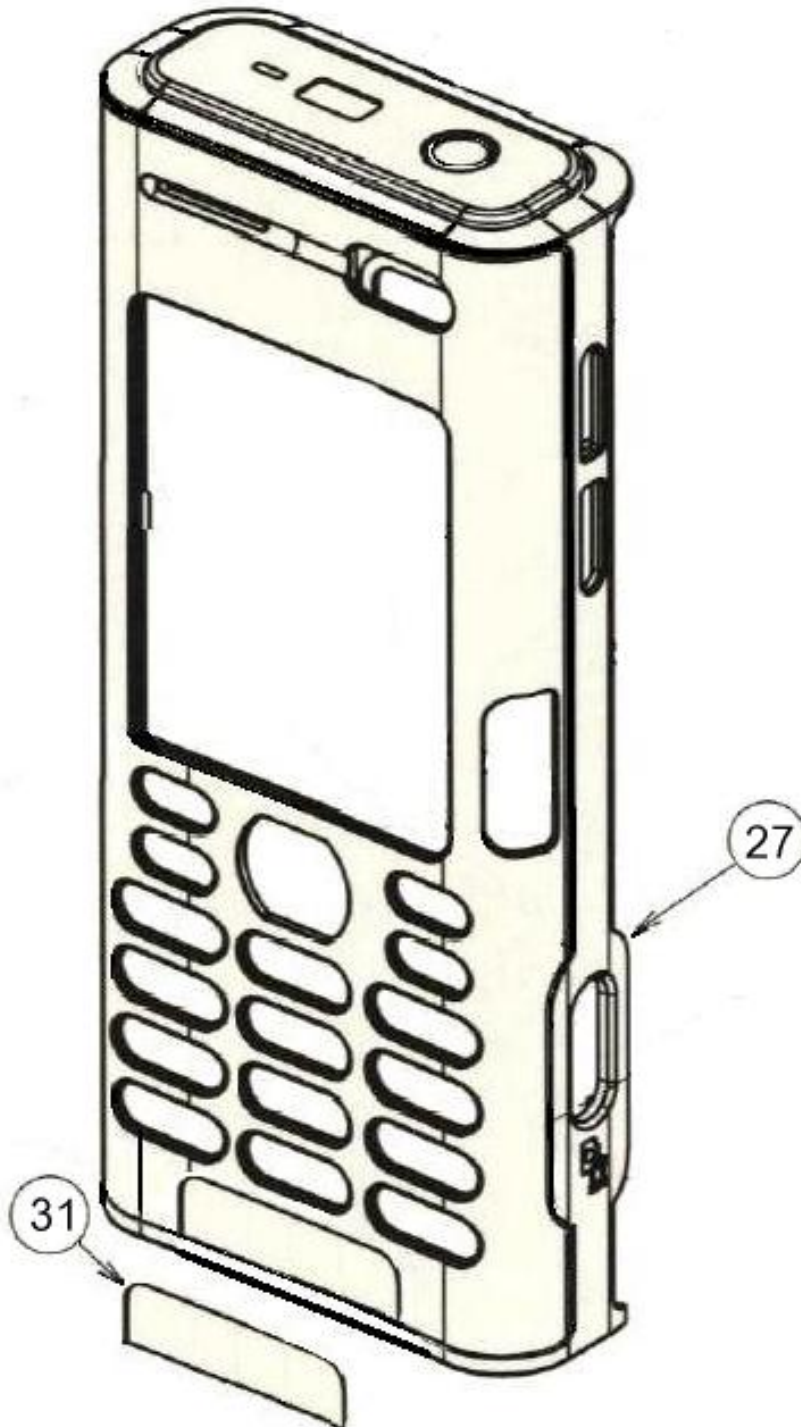
Applicable for K600/ K608/ V600

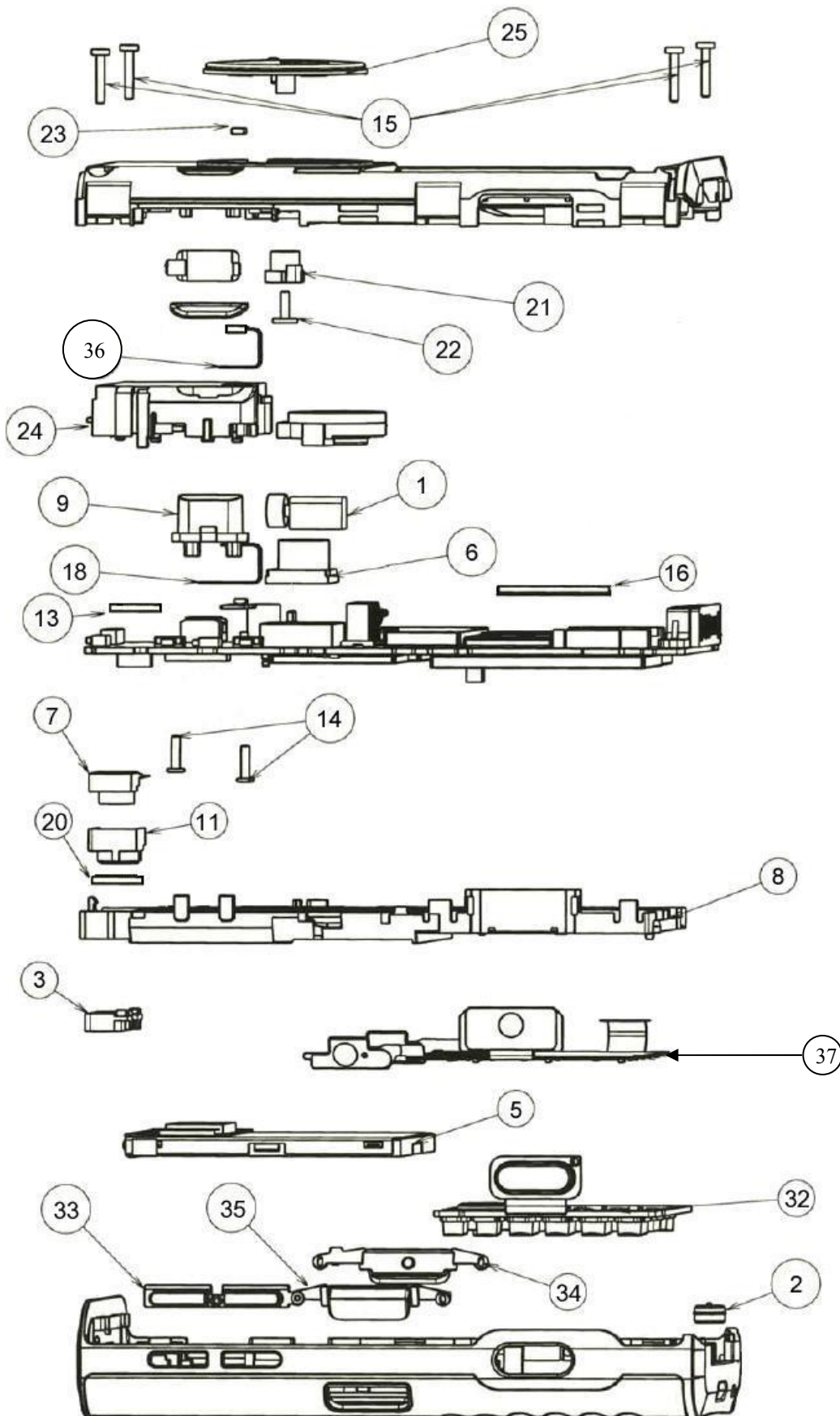
1	Exploded view	2
1.1	Exploded view phone	2
2	Part List	5
2.1	Part list phone	5
3	Label Part List.....	8
4	Revision History	9

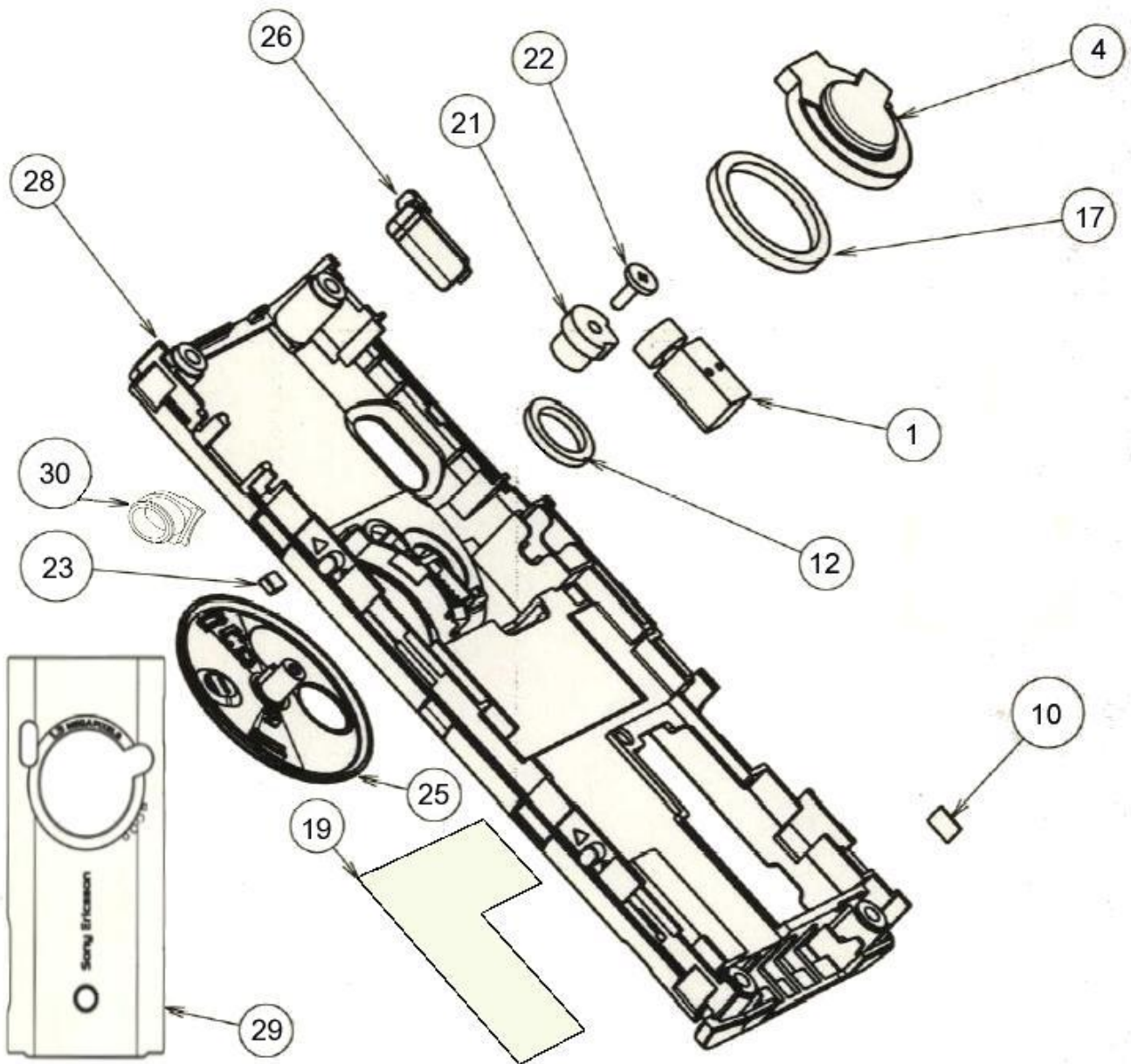


1 Exploded view

1.1 Exploded view phone









2 Part List

2.1 Part list phone

This Part List includes all parts possible to replace by using the Mechanical Repair Process. Parts available to order will be found in the Web Shop. Pos. number refers to the Exploded View.

Pos.	Description	Part Number	Comments
1	Vibrator	BKE90333	K600, K608, V600
2	Microphone	RLC509433	K600, K608, V600
3	Receiver	RLE90830	K600, K608, V600
4	Loudspeaker	RLE90831	K600, K608, V600
5	LCD	RNH942217	K600, K608, V600
6	Camera (Rear)	KNC20123	K600, K608, V600
7	Camera (Front)	KNC20124	K600, K608, V600
8	Frame (PWB)	SXA1095467	K600, K608, V600
9	Light guide (PL)	SXA1095468	K600, K608, V600
10	Water Indicator	SXA1095953	K600, K608, V600
11	Grommet (Cam_F)	SXA1095469	K600, K608, V600
12	Cushion (Cam_R)	SXA1095472	K600, K608, V600
13	Sheet (Cam_F)	SXA1095473	K600, K608, V600
14	Screw 1.4 x 5.5	SXA1095475	K600, K608, V600
15	Screw 1.7 x 8	SXA1095476	K600, K608, V600
16	Sheet, Shield (RF-D)	SXA1095623	K600, K608, V600
17	Cushion (Speaker)	SXA1095791	K600, K608, V600
18	Cushion LG	SXA1095734	K600, K608, V600
19	KRH Label	SVF 9302406	K600, K608, V600
20	Sheet (LCD_CON)	SXA1095896	K600, K608, V600
21	Bearing, Cover (Cam_R) K600	SXA1095450	K600, K608
22	Screw 1.4 x 4.5W	SXA1095624	K600, K608
23	Magnet	SXA1095640	K600, K608
24	Frame Antenna	SXA1095639	K600
24	Frame Antenna (V600)	SXA1094997	V600
24	Frame Antenna (K608)	SXA1095934	K608
25	Cover(Cam_R) K600	SXA1095449	K600
25	Cover (Cam R) K608 Silver	SXA1095776	K608
25	Cover (Cam R) K608 White	SXA1095776/2	K608
25	Cover (Cam R) K608 Black	SXA1095776/3	K608
26	Cover (USB) K600	SXA1095452	K600
26	Cover (USB) V600	SXA1095710	V600
26	Cover (USB) K608	SXA1095777	K608
27	Sub Assembly Case (Front) K600	SXX1096313	K600
27	Sub Assembly Case (Front) V600 Slv	SXX1096471	V600
27	Sub Assembly Case (Front) K608i Slv	SXX1096502	K608
27	Sub Assembly Case (Front) K608 White	SXX1096502/2	K608
27	Sub Assembly Case (Front) V600 Grn	SXX1096471/2	V600
27	Sub Assembly Case (Front) K608 Black	SXX1096502/3	K608
28	Sub Assembly Case (Rear) K600	SXX1096314	K600
28	Sub Assembly Case (Rear) V600	SXX1096474	V600
28	Sub Assembly Case (Rear) K608	SXX1096504	K608
28	Sub Assembly Case (Rear) K608 Black	SXX1096504/2	K608
29	Sub Assembly Lid (Battery)	SXX1096315	K600



Pos.	Description	Part Number	Comments
29	Sub Assembly Lid (Battery) Silver	SXK1096475	V600
29	Sub Assembly Lid (Battery) Silver VF	SXK1096475/2	V600
29	Sub Assembly Lid (Battery) Silver	SXK 1096505	K608
29	Sub Assembly Lid (Battery) White	SXK1096505/2	K608
29	Sub Assembly Lid (Battery) Black	SXK1096505/3	K608
30	Cap (RF)	SXA1095451	K600
30	Cap (RF)	SXA1095730	V600
30	Cap (RF)	SXA1095778	K608
30	Cap (RF) Black	SXA1095778/2	K608
31	Co-brand Label, Quick Share	SVF 9302405/2	K600
31	Co-brand Label, Quick Share Silver	SVF 9302425/2	K608
31	Co-brand Label, Orange	SVF 9302405/5	K600
31	Co-brand Label, Telefonica	SVF 9302405/6	K600
31	Co-brand Label, Quick Share	SVF 9302420/2	V600
31	Co-brand Label, SFR	SVF 9302420/5	V600
31	Co-brand Label, Swisscom	SVF 9302420/6	V600
31	Co-brand Label, Mobilcom A1	SVF 9302420/7	V600
31	Co-brand Label, Proximus	SVF 9302420/8	V600
31	Co-brand Label, Vip Net	SVF 9302420/9	V600
31	Co-brand Label, Quick Share Silver	SVF 9302405/2	K600
31	Co-brand Label, Hutchinson (3)	SVF 9302425/4	K608
31	Co-brand Label, Quick Share White	SVF 9302405/5	K608
31	Co-brand Label, T-Mobile	SVF 9302405/6	K608
31	Co-brand Label Telefonica	SVF 9302534/3	K608
31	Co-brand Label Quick Share	SVF 9302534/2	K608
32	Key (Main) K600	SXA 1095454	K600
32	Key (Main) Stroke	SXA 1095454/2	K600
32	Key (Main) Bopomofo	SXA 1095454/3	K600
32	Key (Main) Thai	SXA 1095454/4	K600
32	Key (Main) Hebrew	SXA 1095454/5	K600
32	Key (Main) Arabic	SXA 1095454/6	K600
32	Key (Main) Cyrillic	SXA 1095454/7	K600
32	Key (Main) V600 Slv	SXA 1095706	V600
32	Key (Main) V600 Grn	SXA 1095706/21	V600
32	Key (Main) K608i	SXA 1095757	K608
32	Key (Main) K608 Stroke	SXA 1095757/2	K608
32	Key (Main) K608i White	SXA 1095757/11	K608
32	Key (Main) K608i Black	SXA 1095757/41	K608
33	Key (Volume) K600	SXA 1095456	K600
33	Key (Volume) V600	SXA 1095707	V600
33	Key (Volume) K608i	SXA 1095756	K608
34	Key (Videophone) K600	SXA 1095457	K600
34	Key (Videophone) V600 Slv	SXA 1095708	V600
34	Key (Videophone) K608i	SXA 1095758	K608
34	Key (Videophone) K608i White	SXA 1095758/11	K608
34	Key (Videophone) V600 Grn	SXA 1095708/21	V600
35	Key (Videophone) K608i Black	SXA 1095758/2	K608
35	Key (Internet) K600	SXA 1095458	K600
35	Key (Internet) K608	SXA 1095459	K608
35	Key (Home screen) V600 Slv	SXA 1095709	V600
35	Key (Home screen) V600 Grn	SXA 1095709/21	V600
35	Key (Active) K608i Hutchinson	SXA 1095709	K608
35	Key (Active) K608i White	SXA 1095709/21	K608
35	Key (Active) K608i Silver	SXA 1095759	K608
35	Key (Active) K608i Black	SXA 1095759/3	K608
36	FPC (sensor-MR)	ROA 1281481	K600, K608, V600



Pos.	Description	Part Number	Comments
37	Foil Key (Key Flex Assy)	ROA 1281482	K600, K608
37	Foil Key (Key Flex Assy)	ROA 1281483	V600
N/A	USB Cable	RPM 131102	K600, K608, V600
N/A	Battery Lid Cushion	SXA 109 6725	K600, K608, V600



3 Label Part List

Pos.	Description	Part Number	Comments
21	KRH Label	SVF 930 2406	K600, K608, V600
	Printer Ribbon	LZK 102 734/1	



4 Revision History

Rev.	Date	Changes / Comments
A	2005-06-27	Initial release
B	2005-06-30	Updated fields and added the FPC (Sensor M
C	2005-11-14	Added USB Cable as a spare part and Grn parts
D	2005-11-23	Corrected part number for Co-brand Label, Hutchinson (3)
E	2006-01-11	Added Part number for Key Foil (Key Flex Assy)
F	2006-01-12	Removed Sparepart Co-brand Label, TIM SVF 9302405/4
G	2006-01-17	Due to system problem. No changes made on content.
H	2006-01-26	Added cushion SXA 109 6725
J	2006-01-31	Due to system problem. No changes made on content.
K	2006-01-31	Added Cover (Cam R) K608 Silver and White, SXA1095776 and SXA1095776/2
L	2006-05-10	Added Key (Active) K608i Silver and Foil Key (Key Flex Assy) for V600
M	2006-06-13	Corrected position numbers
N	2006-07-10	Added Co-brand Label, Quick Share Silver for K608
O	2006-07-21	It is not possible to use revision O in the system
S	2006-08-09	Added black plastic parts for K608
T	2006-12-21	Updated Battery Lid Cushion, valid for all variants