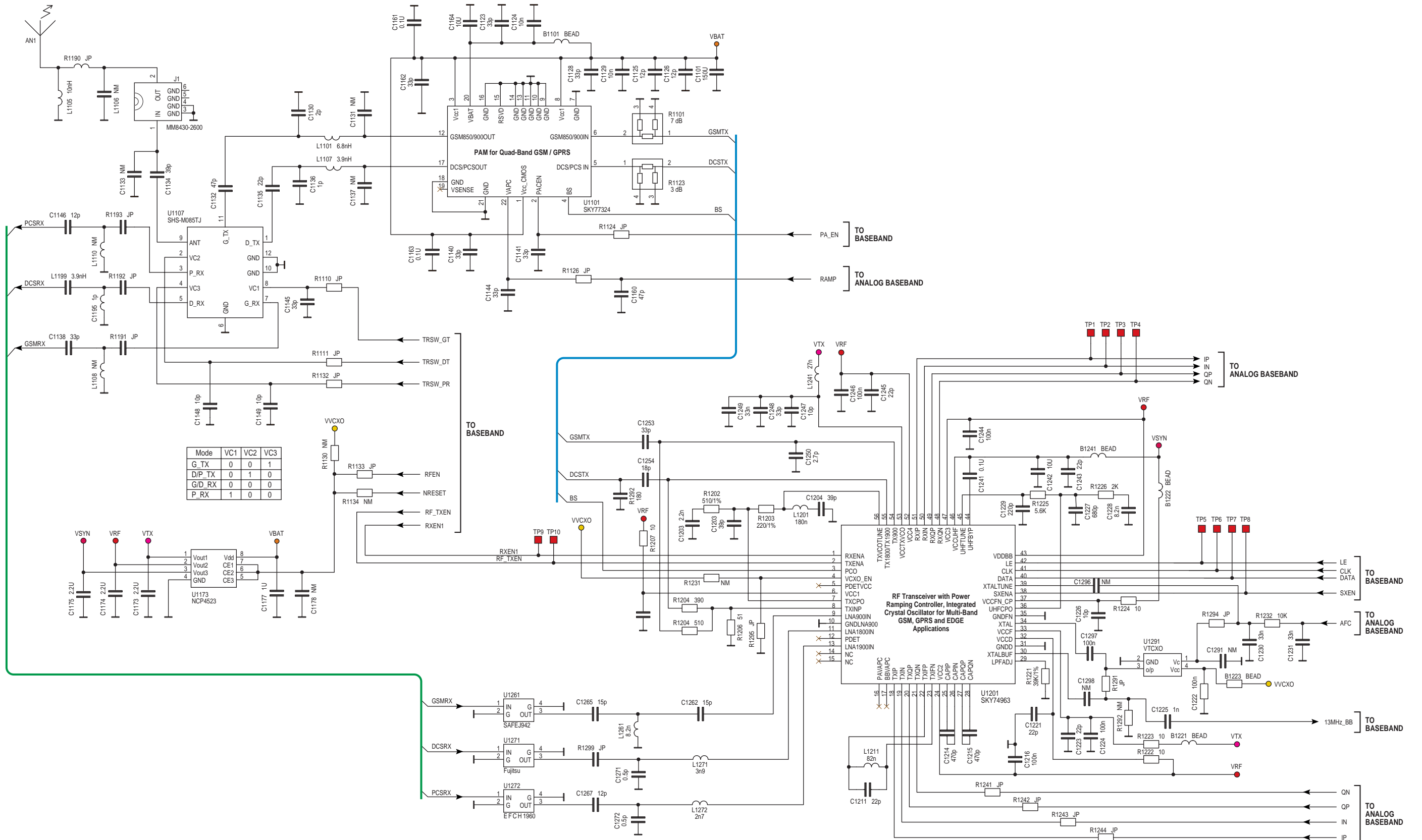


11.2. RF Band



12. LAYOUT DIAGRAM

12.1. Main PCB

