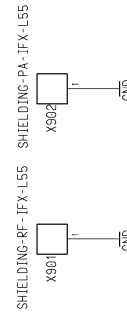
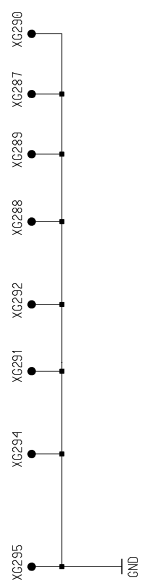
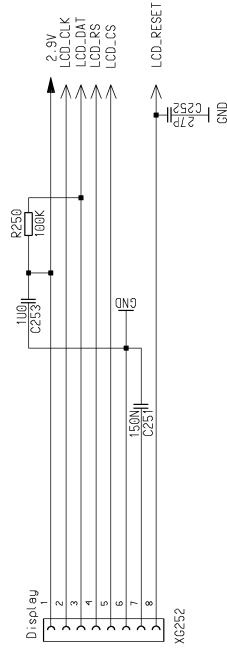


DISPLAY_INTERFACE

231 - 270



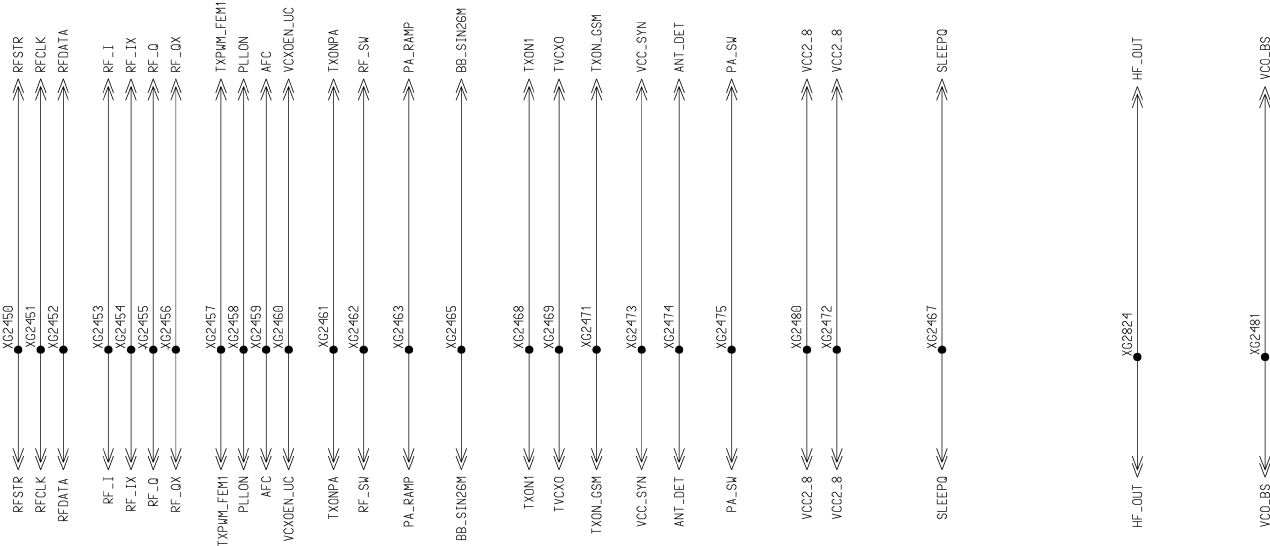
Confidential
 Copyright © Siemens AG

| DATE | USER | STATUS | DESCRIPTION |
|------------|------|--------|-----------------------|
| 17.05.2002 | | | L55 Tune IFX |
| | | | A7 PCB (DB SIM DA KA) |
| | | | CIRCUIT DIAGRAM |
| 11.04.2003 | | Sto | |
| 28.03.2003 | | Sto | |
| 19.02.2003 | | Sto | |
| 11.02.2003 | | Sto | |
| 22.01.2003 | | Sto | |
| 12.12.2002 | | Sto | |
| 05.03.2002 | | Sto | |

| VERS. | CHANGE NUMBER | DATE | NAME |
|-------|---------------|------------|------|
| 10 | 3101 | 11.04.2003 | |
| 9 | 4112 | 28.03.2003 | |
| 8 | 3937 | 19.02.2003 | |
| 7 | 3754 | 11.02.2003 | |
| 6 | 3389 | 22.01.2003 | |
| 5 | 2441 | 12.12.2002 | |
| 4 | 1462 | 05.03.2002 | |

| | |
|-----------------------|------------|
| L55 Tune IFX | Siemens AG |
| A7 PCB (DB SIM DA KA) | 16460 |
| CIRCUIT DIAGRAM | SHEET 3* |

INTERFACE LOGIK/HF
2450-2499



TRANSMITTER ENABLE SIGNAL
TRANSMITTER CLOCK SIGNAL
TRANSMITTER DATA SIGNAL

Bidirectional analogue RX/TX modulated signal
Baseband signals

PA PWM control (not used for IFX solution)
PLL enable
reference frequency correction
VCC_SYN enable for backup regulators

Power up Power amplifier
DCSTX enable ASIC for Hitachi solution
analogue power amplifier ramping signal

26 MHz reference frequency

HIT: Power up of power controller
IFX: enable of limiter buffer
temperature sensor X-tal

only Hitachi: enable for GSMTX of FEM

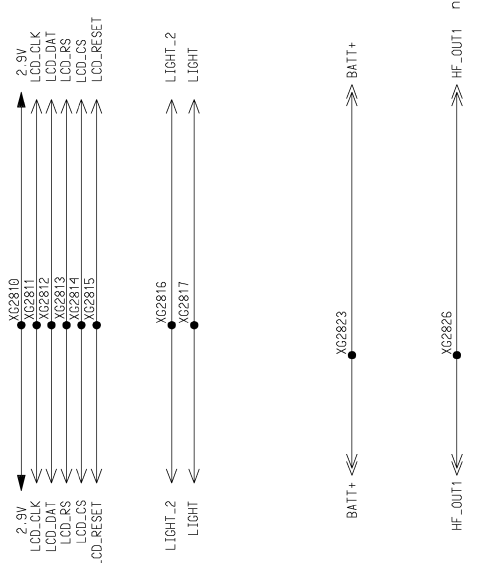
DETECTION internal/external Antenna

not used anymore

enable for backup regulator VCC2_8

Antenna - RF chamber interface

not used anymore



not used anymore

Confidential
Copyright © Siemens AG

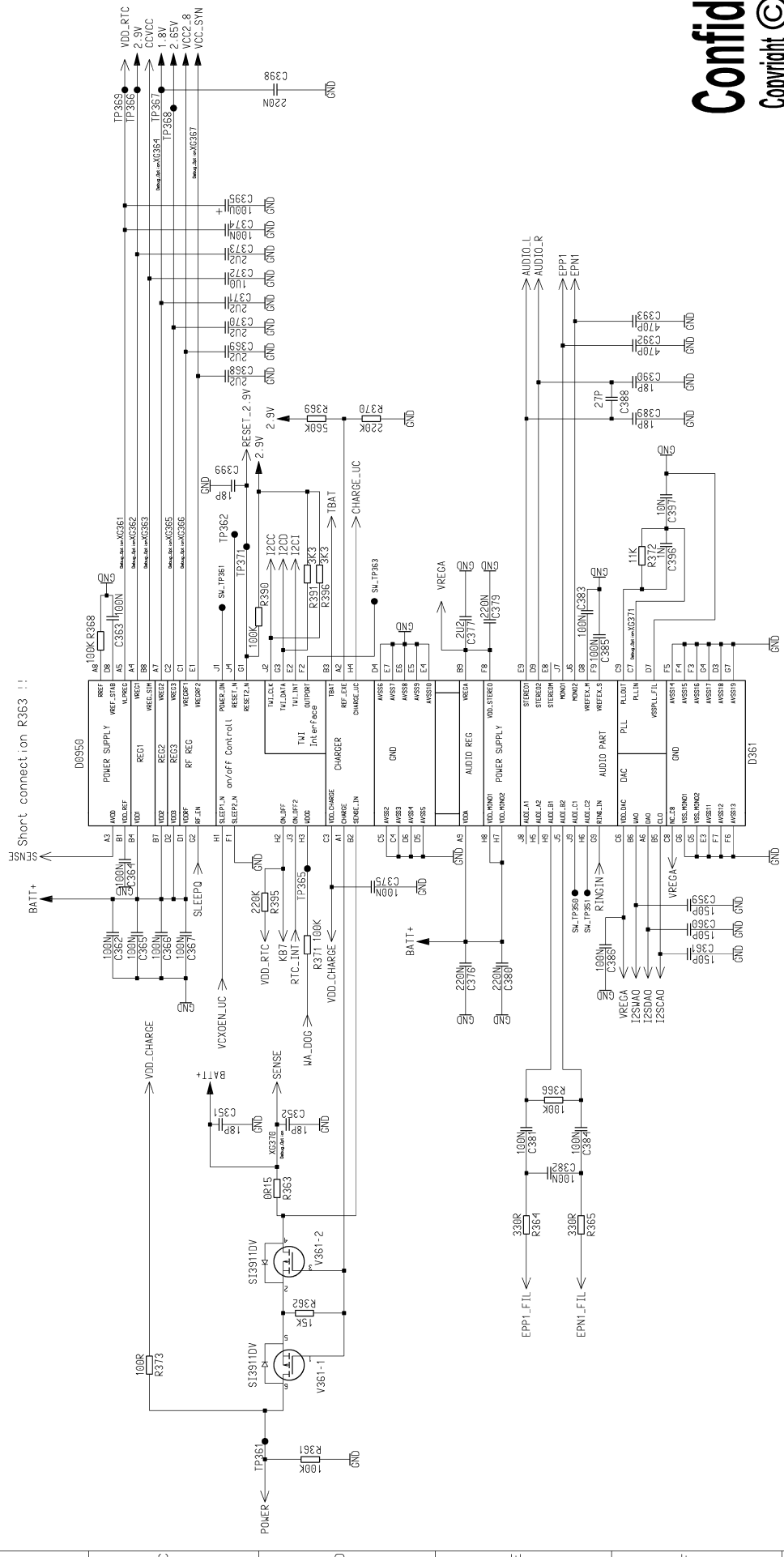
| NO | 3101 | 11.04.2003 | Stp | DATE | 17.05.2002 |
|------|---------------|------------|------|-----------------|------------|
| 9 | 4112 | 28.03.2003 | Stp | USER | SIE LAFF |
| 8 | 3937 | 19.02.2003 | Stp | APP'D | |
| 7 | 3154 | 11.02.2003 | Stp | MP UC RD ED ULM | |
| 6 | 3389 | 22.01.2003 | Stp | | |
| 5 | 2441 | 12.12.2002 | Stp | | |
| 4 | 1462 | 05.05.2002 | Stp | | |
| VERS | CHANGE NUMBER | DATE | NAME | | |

L55 Tune I/F X
A7 PCB (DB SIM DA KA)
CIRCUIT DIAGRAM
1:1

Siemens AG
16460
SHEET 4+

(Created by BOM number: A5B00001005/05-3101)

BASEBAND_POWER_SUPPLY_GSM



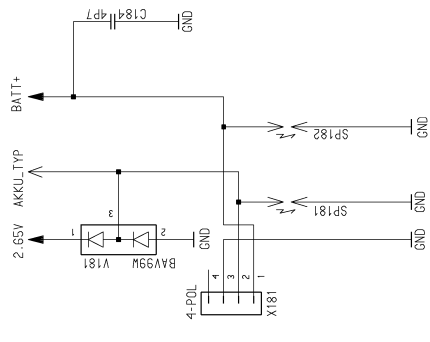
Short connection R363 !!

Confidential
Copyright © Siemens AG

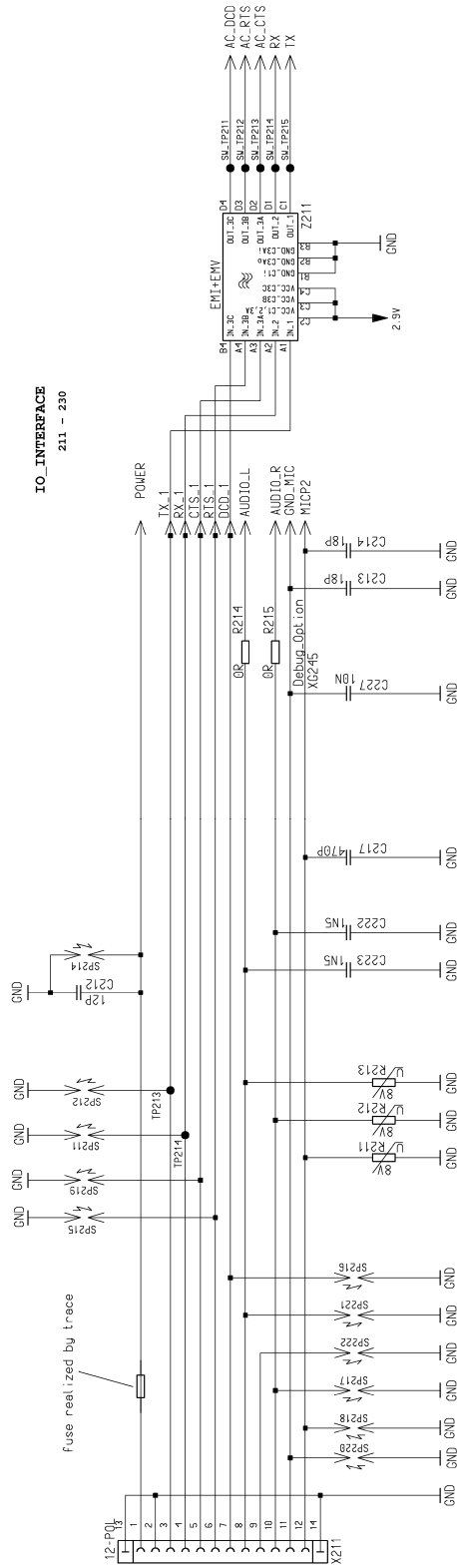
| DATE | USER | APP'D | MP UC RD ED ULM | NAME |
|------------|----------|-------|-----------------|------|
| 17.05.2002 | S.HILAFF | | | |
| 11.04.2003 | Sto | | | |
| 28.03.2003 | Sto | | | |
| 30.03.2003 | Sto | | | |
| 11.02.2003 | Sto | | | |
| 22.01.2003 | Sto | | | |
| 12.12.2002 | Sto | | | |
| 05.09.2002 | Sto | | | |

| DATE | USER | APP'D | MP UC RD ED ULM | NAME |
|------------|----------|-------|-----------------|------|
| 17.05.2002 | S.HILAFF | | | |
| 11.04.2003 | Sto | | | |
| 28.03.2003 | Sto | | | |
| 30.03.2003 | Sto | | | |
| 11.02.2003 | Sto | | | |
| 22.01.2003 | Sto | | | |
| 12.12.2002 | Sto | | | |
| 05.09.2002 | Sto | | | |

BASEBAND_POWERSUPPLY_GSM
181-185



IO_INTERFACE
211 - 230

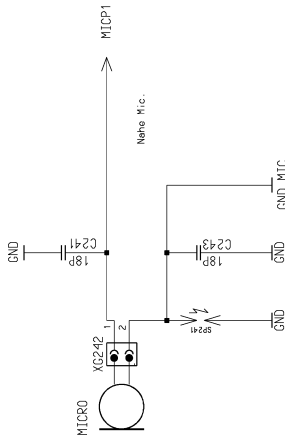


Confidential
Copyright © Siemens AG

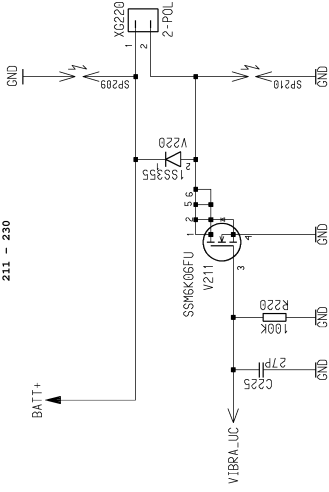
| NO | DATE | USER | DATE | NO | DATE | USER | DATE |
|----|-------|------------|------------|----|-------|------------|------------|
| 10 | 31.01 | 11.04.2003 | 17.05.2002 | 10 | 31.01 | 11.04.2003 | 17.05.2002 |
| 9 | 4112 | 28.03.2003 | Siemens | 9 | 4112 | 28.03.2003 | Siemens |
| 8 | 3937 | 19.02.2003 | Siemens | 8 | 3937 | 19.02.2003 | Siemens |
| 7 | 3754 | 11.02.2003 | Siemens | 7 | 3754 | 11.02.2003 | Siemens |
| 6 | 3389 | 22.01.2003 | Siemens | 6 | 3389 | 22.01.2003 | Siemens |
| 5 | 2441 | 12.12.2002 | Siemens | 5 | 2441 | 12.12.2002 | Siemens |
| 4 | 1462 | 05.03.2002 | Siemens | 4 | 1462 | 05.03.2002 | Siemens |

| DATE | USER | DATE | NO | DATE | USER | DATE | NO |
|------------|---------|------------|----|-------|------------|------------|----|
| 17.05.2002 | Siemens | 17.05.2002 | 10 | 31.01 | 11.04.2003 | 17.05.2002 | 10 |
| Siemens | Siemens | Siemens | 9 | 4112 | 28.03.2003 | Siemens | 9 |
| Siemens | Siemens | Siemens | 8 | 3937 | 19.02.2003 | Siemens | 8 |
| Siemens | Siemens | Siemens | 7 | 3754 | 11.02.2003 | Siemens | 7 |
| Siemens | Siemens | Siemens | 6 | 3389 | 22.01.2003 | Siemens | 6 |
| Siemens | Siemens | Siemens | 5 | 2441 | 12.12.2002 | Siemens | 5 |
| Siemens | Siemens | Siemens | 4 | 1462 | 05.03.2002 | Siemens | 4 |

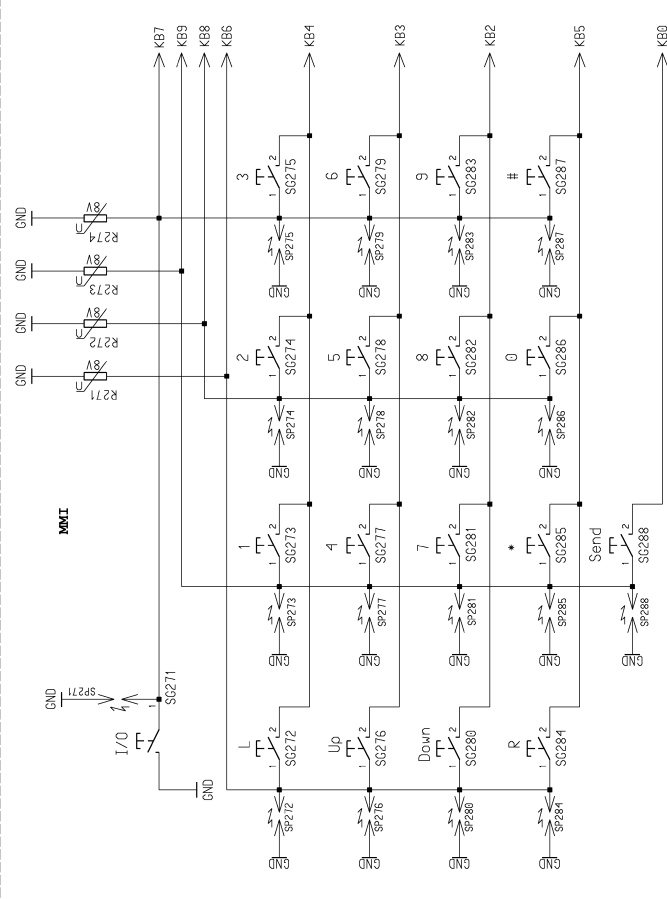
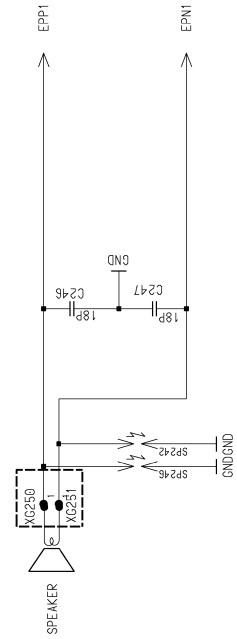
MICROPHONE_CIRCUIT
241-250



VIBRA_CIRCUIT
211 - 230



SPEAKER_CIRCUIT



| NO | DATE | USER | APP'D | DATE | NAME |
|----|-------|------------|-------|------------|------------|
| 10 | 31.01 | 31.01 | | 11.04.2003 | Siemens AG |
| 9 | 41.12 | 28.03.2003 | | 28.03.2003 | Siemens AG |
| 8 | 39.17 | 19.02.2003 | | 19.02.2003 | Siemens AG |
| 7 | 31.54 | 11.02.2003 | | 11.02.2003 | Siemens AG |
| 6 | 33.89 | 22.01.2003 | | 22.01.2003 | Siemens AG |
| 5 | 24.41 | 12.12.2002 | | 12.12.2002 | Siemens AG |
| 4 | 14.62 | 05.09.2002 | | 05.09.2002 | Siemens AG |

| DATE | USER | APP'D | DATE | NAME |
|------------|---------|-------|------|------|
| 17.05.2002 | SIELAFF | | | |

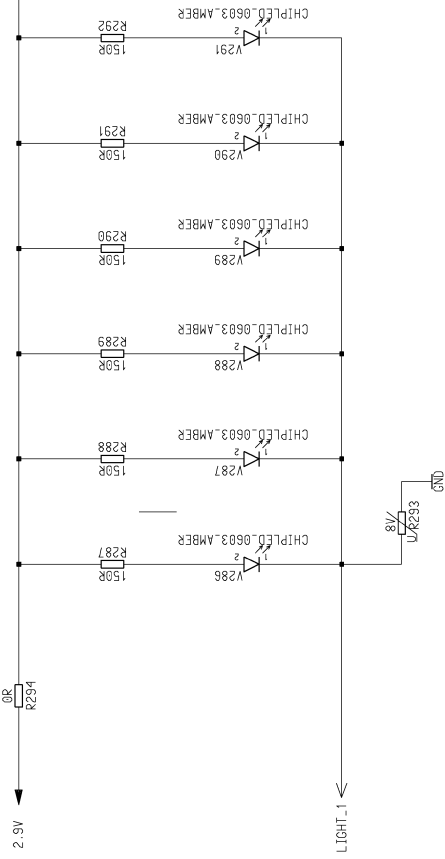
L55 Tune IFX
A7 PCB (DB SIM DA KA)
CIRCUIT DIAGRAM

16460
Siemens AG

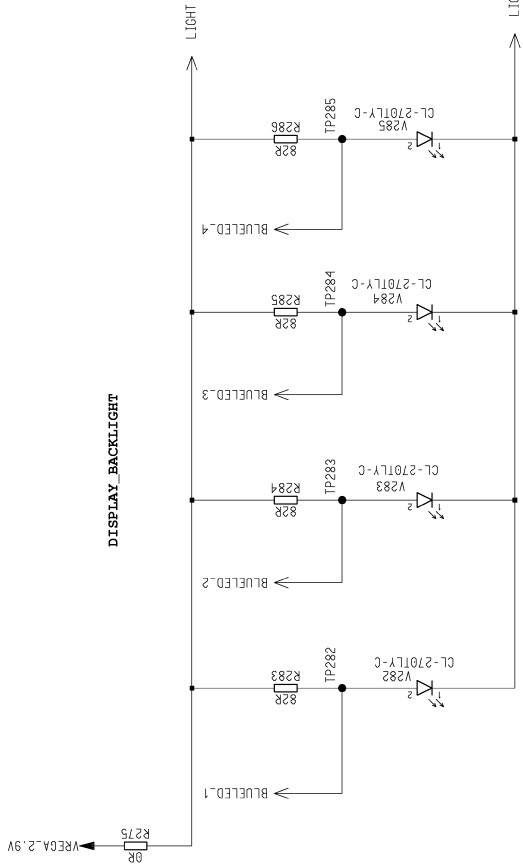
1:1
SHEET 9+

(Created by BOM number: A5800001005/05-3101)

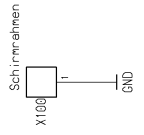
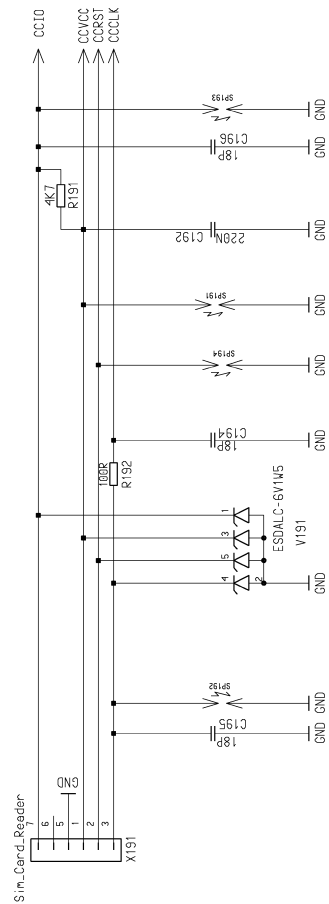
KEYPAD_BACKLIGHT



DISPLAY_BACKLIGHT



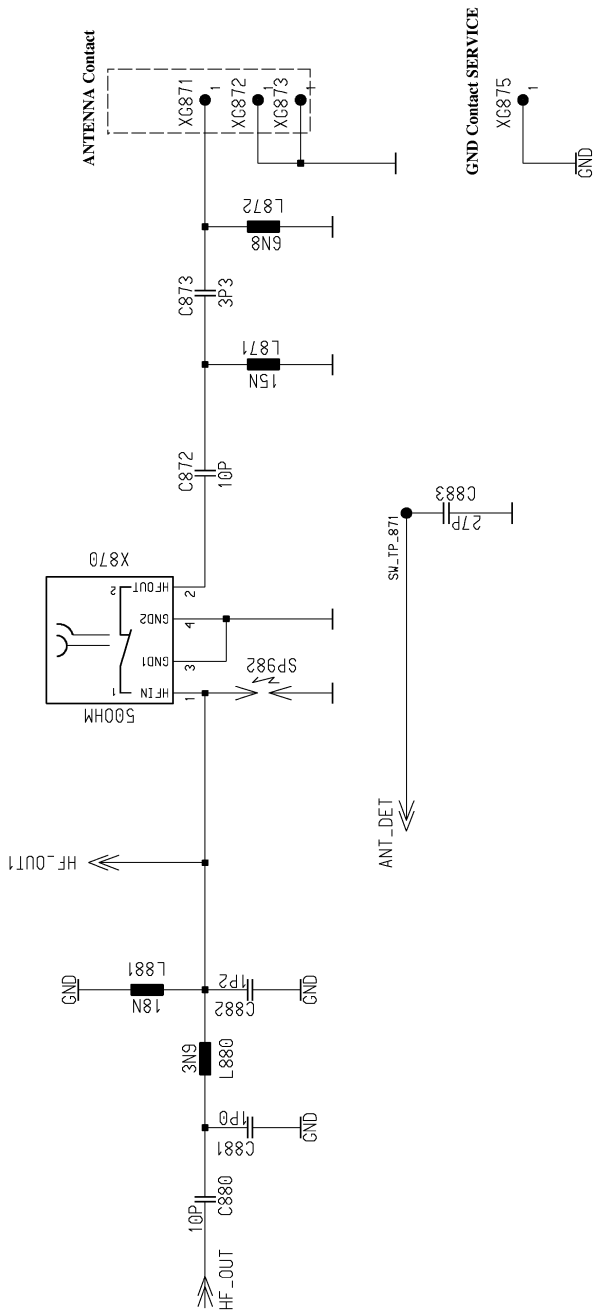
SIM_INTERFACE



| DATE | USER | STATUS | DESCRIPTION |
|------------|---------|--------|-------------|
| 17.05.2002 | SIELAFF | | |
| 11.04.2003 | Stie | | |
| 28.03.2003 | Stie | | |
| 19.02.2003 | Stie | | |
| 11.02.2003 | Stie | | |
| 22.01.2003 | Stie | | |
| 12.12.2002 | Stie | | |
| 05.03.2002 | Stie | | |

DATE: 17.05.2002
USER: SIELAFF
APP'D:
MP UC RD ED ULM
Siemens AG
16460
SHEET 10-
1:1
CIRCUIT DIAGRAM
A7 PCB (DB SIM DA KA)
L55 Tune IFX

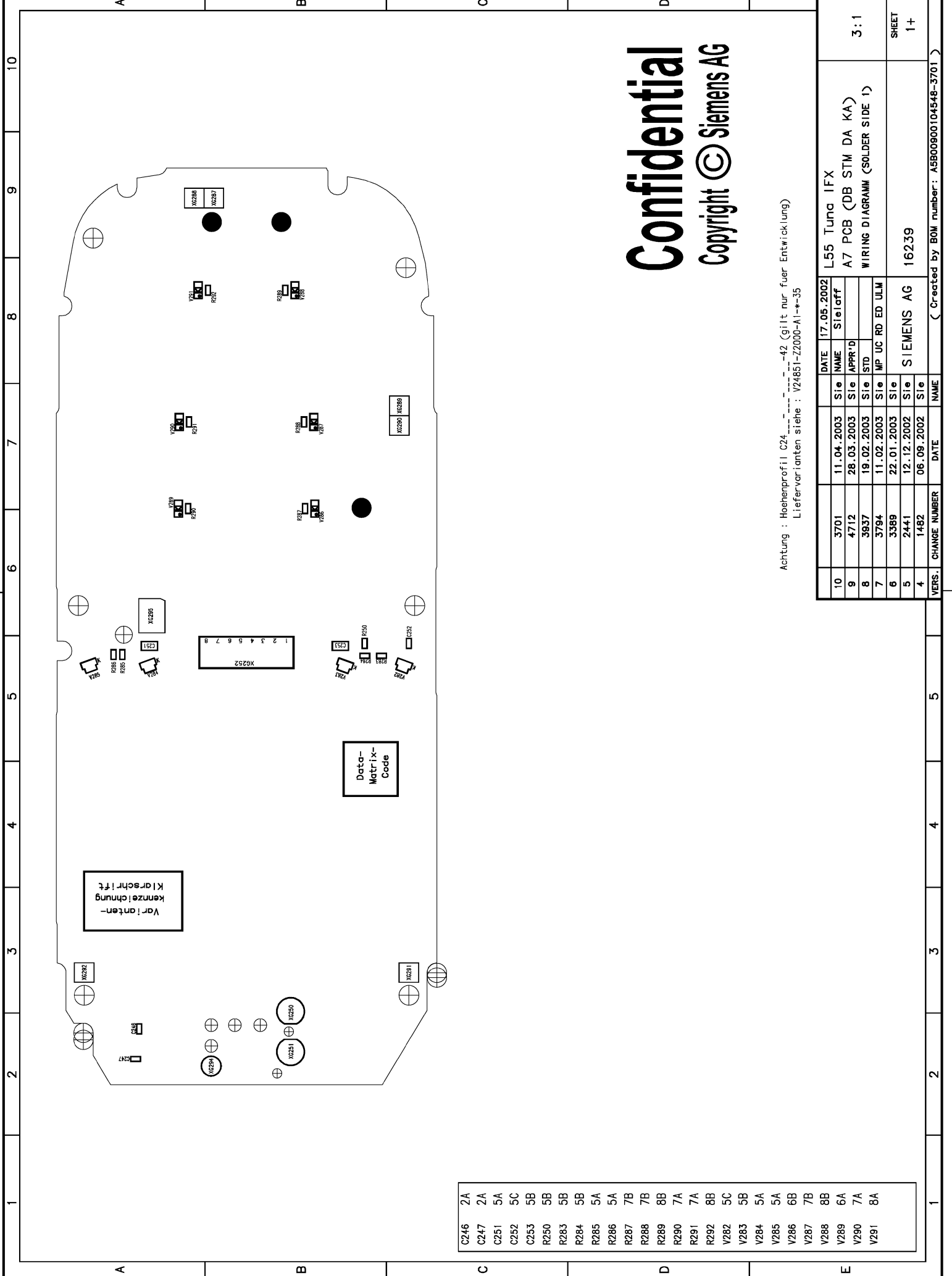
ANTENNA_CIRCUIT
870 - 884



Confidential
Copyright © Siemens AG

| DATE | 17.05.2002 | USER | Sietelaff |
|-------|---------------|------------|------------|
| 10 | 3701 | 11.04.2003 | Sie |
| 9 | 4712 | 28.03.2003 | Sie |
| 8 | 3937 | 19.02.2003 | Sie |
| 7 | 3794 | 11.02.2003 | Sie |
| 6 | 3389 | 22.01.2003 | Sie |
| 5 | 2441 | 12.12.2002 | Sie |
| 4 | 1482 | 06.09.2002 | Sie |
| VERS. | CHANGE NUMBER | DATE | NAME |
| | | | Siemens AG |

| | | |
|---|-------|-----|
| L55 Tune IFX | 16460 | 1:1 |
| A7 PCB (DB STM DA KA) | | |
| CIRCUIT DIAGRAM | | |
| MP UC RD ED ULH | | |
| Siemens AG | | |
| (Created by BOM number : ASB00900104548-3701) | | |



Confidential
Copyright © Siemens AG

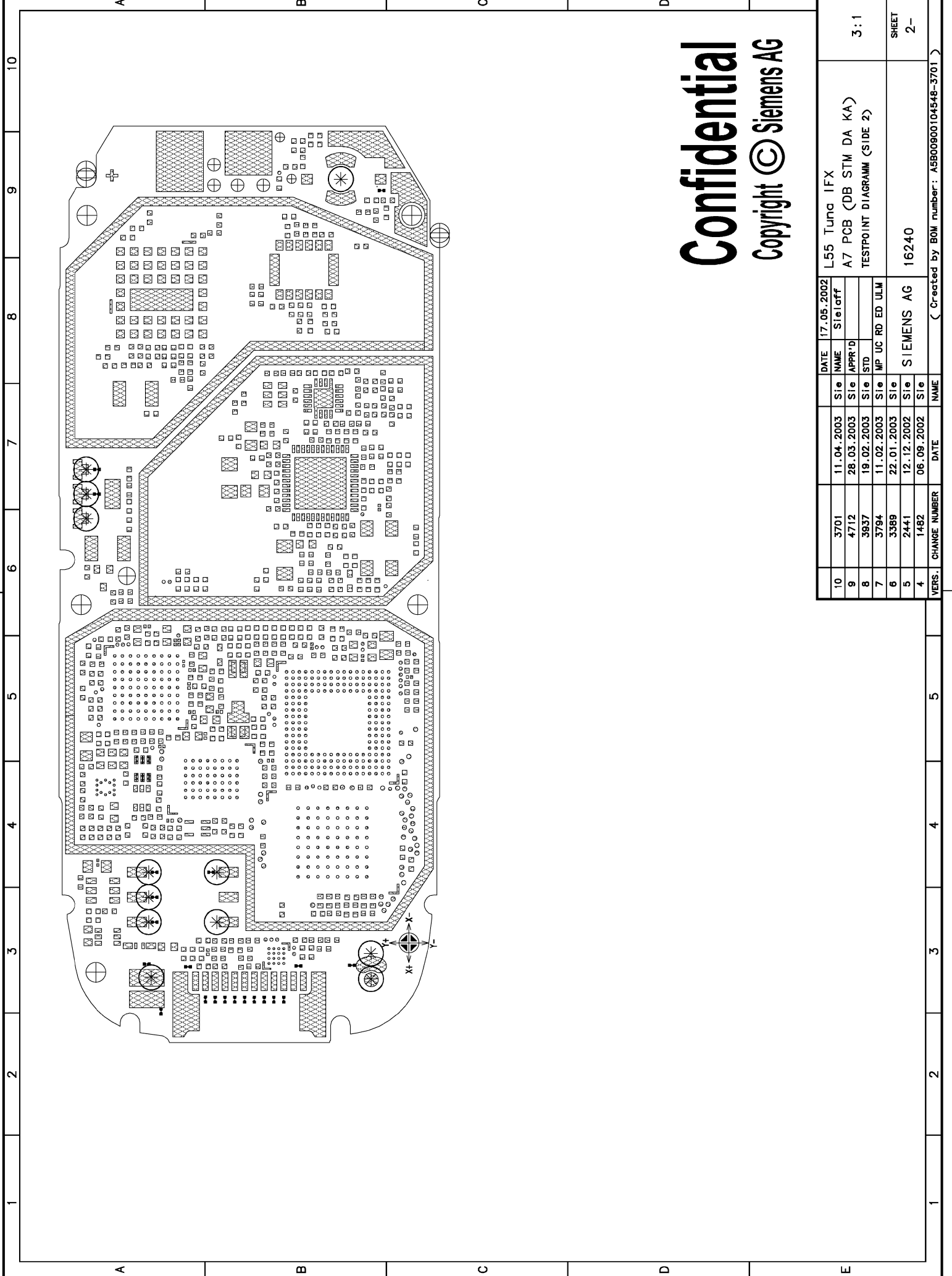
Achtung : Höhenprofil C24...42 (gilt nur fuer Entwicklung)
Liefervarianten siehe : V24851-Z2000-A1-4-35

| DATE | NAME | DATE | NAME |
|------------|----------|------------|------|
| 17.05.2002 | SieIatff | 11.04.2003 | Sie |
| | | 28.03.2003 | Sie |
| | | 19.02.2003 | Sie |
| | | 11.02.2003 | Sie |
| | | 22.01.2003 | Sie |
| | | 12.12.2002 | Sie |
| | | 06.09.2002 | Sie |

| VERS. | CHANGE NUMBER | DATE | NAME |
|-------|---------------|------------|------|
| 10 | 3701 | 11.04.2003 | Sie |
| 9 | 4712 | 28.03.2003 | Sie |
| 8 | 3937 | 19.02.2003 | Sie |
| 7 | 3794 | 11.02.2003 | Sie |
| 6 | 3389 | 22.01.2003 | Sie |
| 5 | 2441 | 12.12.2002 | Sie |
| 4 | 1482 | 06.09.2002 | Sie |

L55 Tuna IFX
A7 PCB (DB STM DA KA)
WIRING DIAGRAM (SOLDER SIDE 1)
SIEMENS AG
16239
3 : 1
SHEET 1 +

| | |
|------|----|
| C246 | 2A |
| C247 | 2A |
| C251 | 5A |
| C252 | 5C |
| C253 | 5B |
| R250 | 5B |
| R283 | 5B |
| R284 | 5B |
| R285 | 5A |
| R286 | 5A |
| R287 | 7B |
| R288 | 7B |
| R289 | 8B |
| R290 | 7A |
| R291 | 7A |
| R292 | 8B |
| V282 | 5C |
| V283 | 5B |
| V284 | 5A |
| V285 | 5A |
| V286 | 6B |
| V287 | 7B |
| V288 | 8B |
| V289 | 6A |
| V290 | 7A |
| V291 | 8A |



Confidential
 Copyright © Siemens AG

| VERS. | CHANGE NUMBER | DATE | NAME |
|-------|---------------|------------|------|
| 10 | 3701 | 11.04.2003 | Sie |
| 9 | 4712 | 28.03.2003 | Sie |
| 8 | 3937 | 19.02.2003 | Sie |
| 7 | 3794 | 11.02.2003 | Sie |
| 6 | 3389 | 22.01.2003 | Sie |
| 5 | 2441 | 12.12.2002 | Sie |
| 4 | 1482 | 06.09.2002 | Sie |

| DATE | NAME | DESCRIPTION |
|------------|---------|-------------|
| 17.05.2002 | Sielaff | |

| | |
|----------------------------|-----|
| L55 Tuna IFX | 3:1 |
| A7 PCB (DB STM DA KA) | |
| TESTPOINT DIAGRAM (SIDE 2) | |

| | |
|------------|-------|
| SIEMENS AG | 16240 |
| SHEET | 2- |

| | | | | |
|---|---|---|---|---|
| 1 | 2 | 3 | 4 | 5 |
|---|---|---|---|---|