

SPK800

DB14

LAB5

DB13

LAB4

DB16

DB15

SOFT1

LEFT

UP

INT

RIGHT

SOFT2

SEND

DOWN

CLR

END

RB01 LED801

RB06
LED804

RB07
LAB05

LED807 RB02

CN801

HDC802

C857
C858
C859
C860
C861
C862
C863
C864
C865
C866
C867
C868
C869
C870
C871
C872
C873
C874
C875
C876
C877
C878
C879
C880
C881
C882
C883
C884
C885
C886
C887
C888
C889
C890
C891
C892
C893
C894
C895
C896
C897
C898
C899
C900
C901
C902
C903
C904
C905
C906
C907
C908
C909
C910
C911
C912
C913
C914
C915
C916
C917
C918
C919
C920
C921
C922
C923
C924
C925
C926
C927
C928
C929
C930
C931
C932
C933
C934
C935
C936
C937
C938
C939
C940
C941
C942
C943
C944
C945
C946
C947
C948
C949
C950
C951
C952
C953
C954
C955
C956
C957
C958
C959
C960
C961
C962
C963
C964
C965
C966
C967
C968
C969
C970
C971
C972
C973
C974
C975
C976
C977
C978
C979
C980
C981
C982
C983
C984
C985
C986
C987
C988
C989
C990
C991
C992
C993
C994
C995
C996
C997
C998
C999
C1000

W1C800

C816 RB31
C815 C817
L802 R830 C838 VR813 VR812
C858 C857
C856 C855

CN810

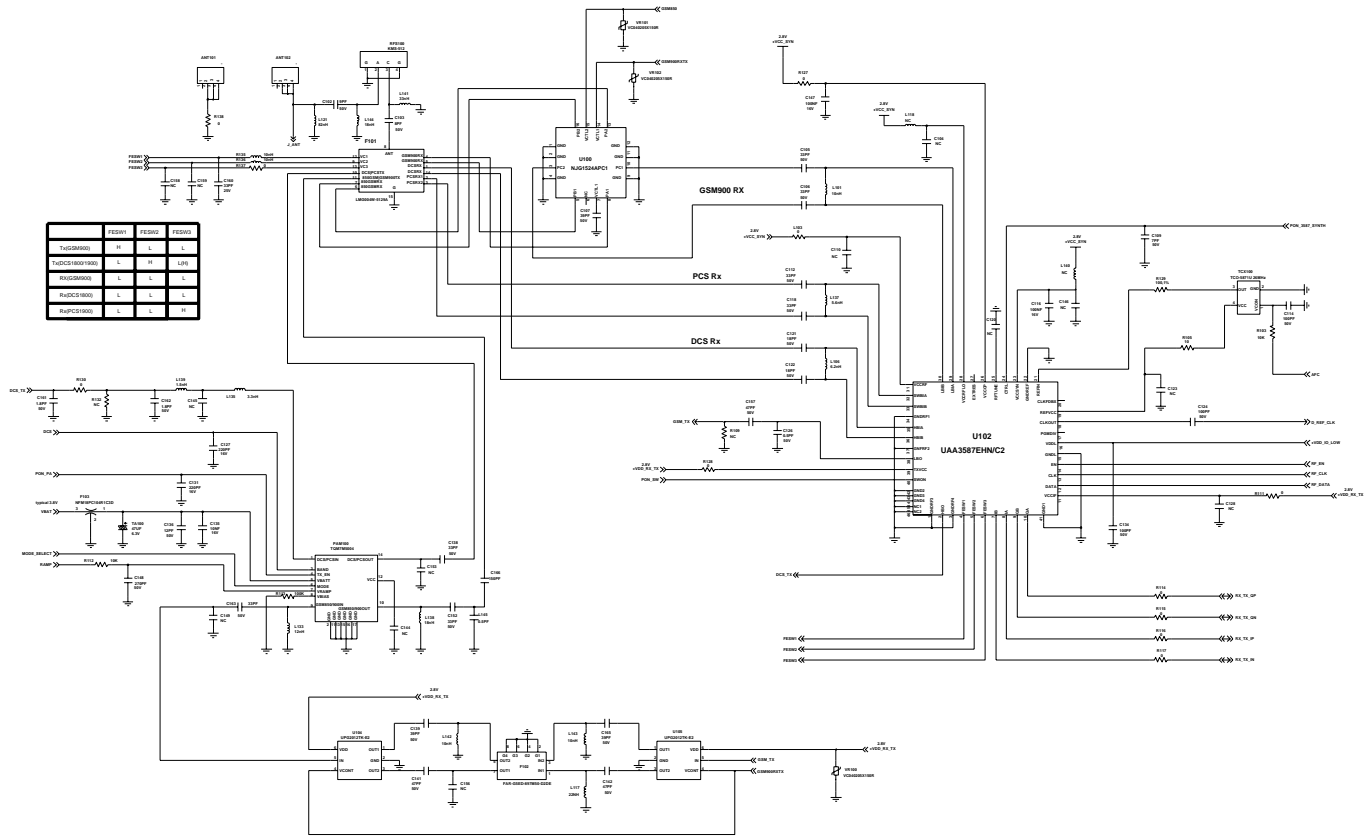
VR811
RB35 RB36
C854 C848 RB14 RB36
C853 RB14
C908 C830 C851 C909 C814
C810
U820
VR810 C849 C850

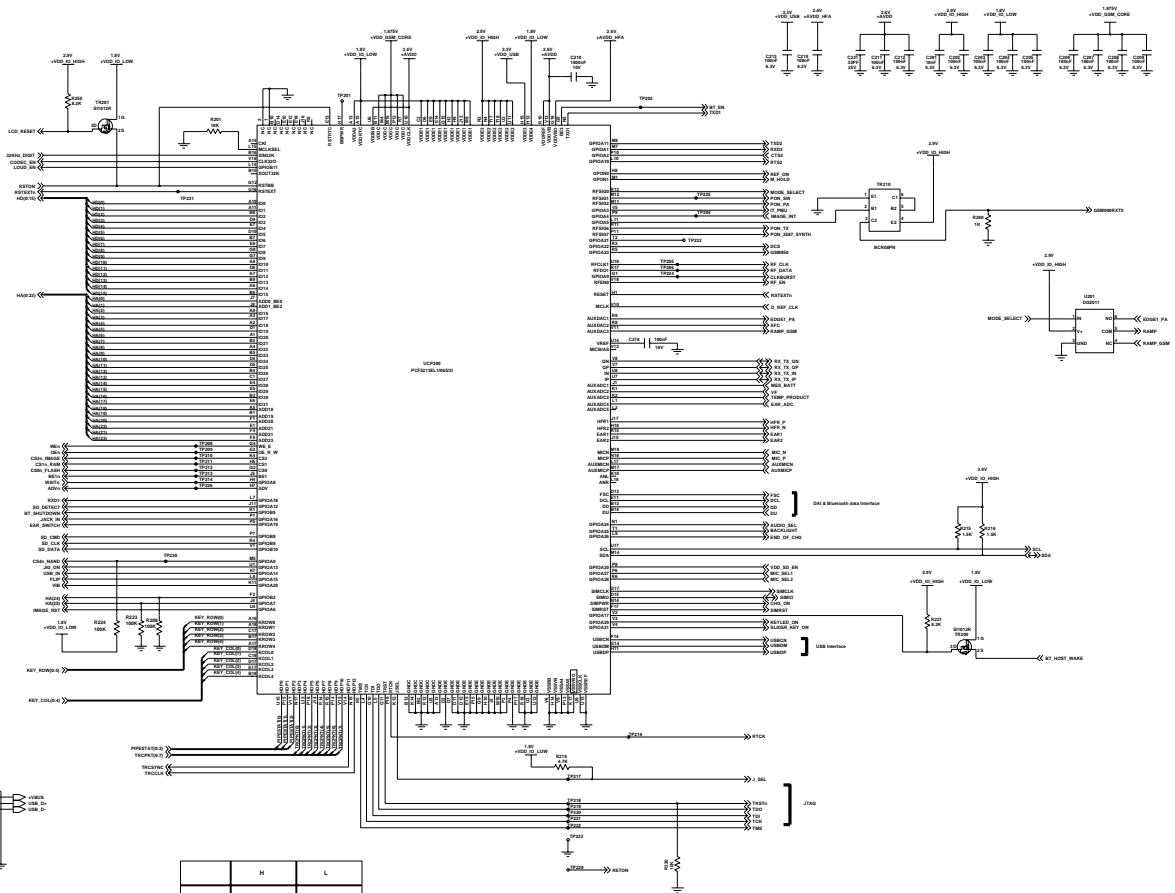
D817
P801 P800 P802 P803 P804 P806 P805

SLC811

008031

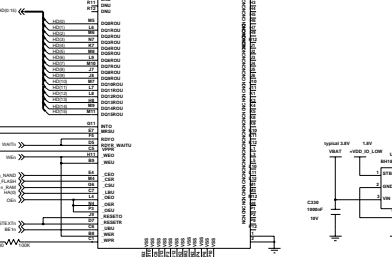
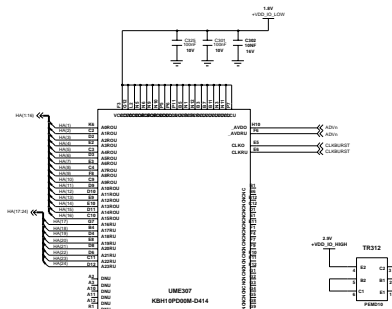
	FSM1	FSM2	FSM3
TUGSM900	H	L	L
TUGDCS1800	L	H	L
TUGDCS1900	L	L	L
TUGDCS1800	L	L	L
TUGDCS1900	L	L	H



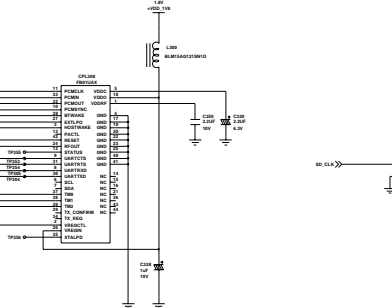


J-TAG 32 PINS

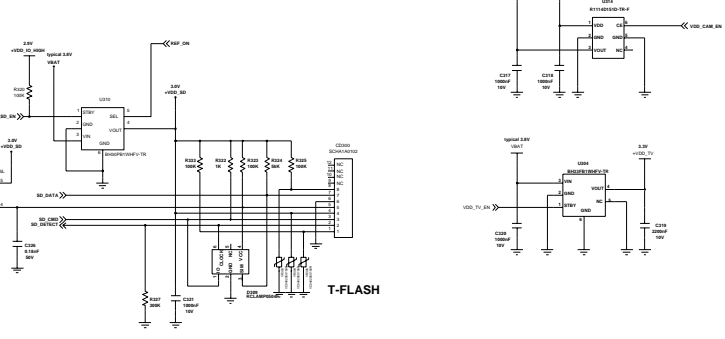
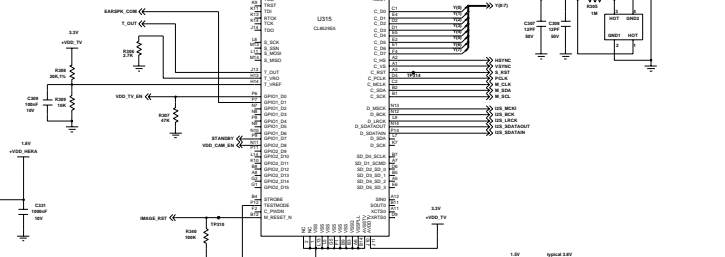
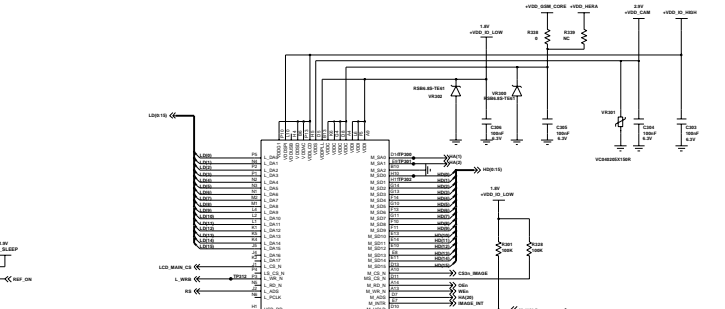
	H	L
J_SEL	ARM9	DSP
TEST	TRACE	NORMAL



MEMORY

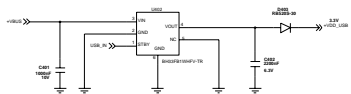


BLUE TOOTH

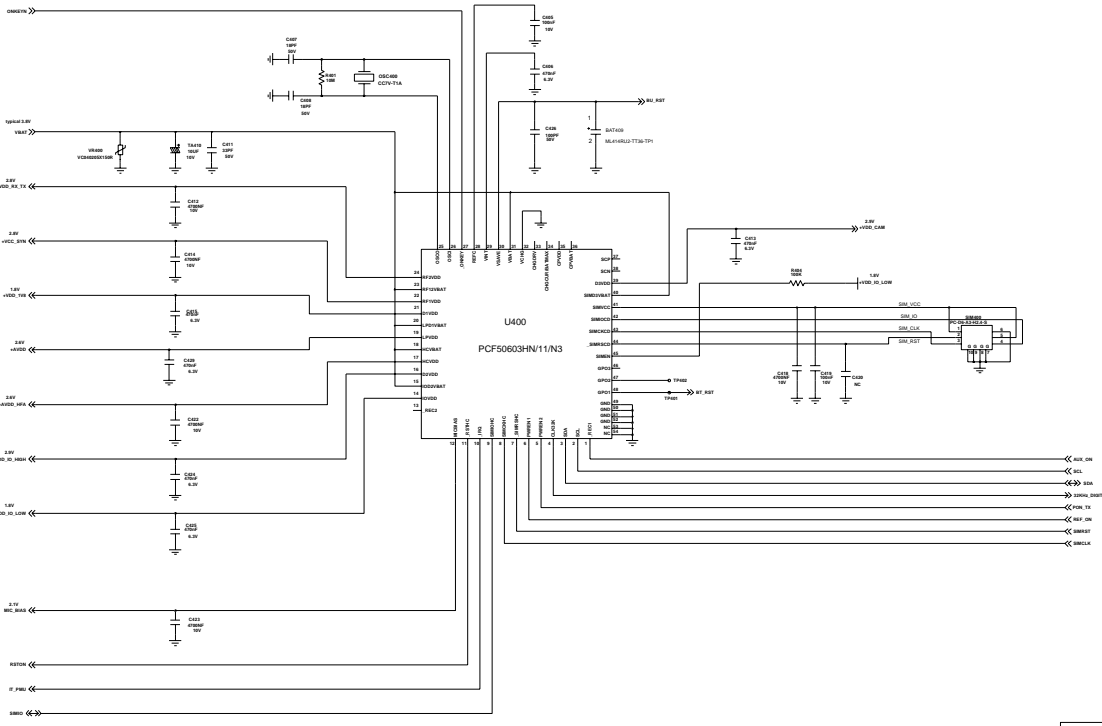
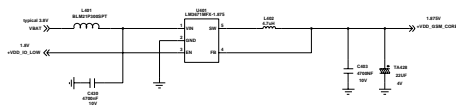


T-FLASH

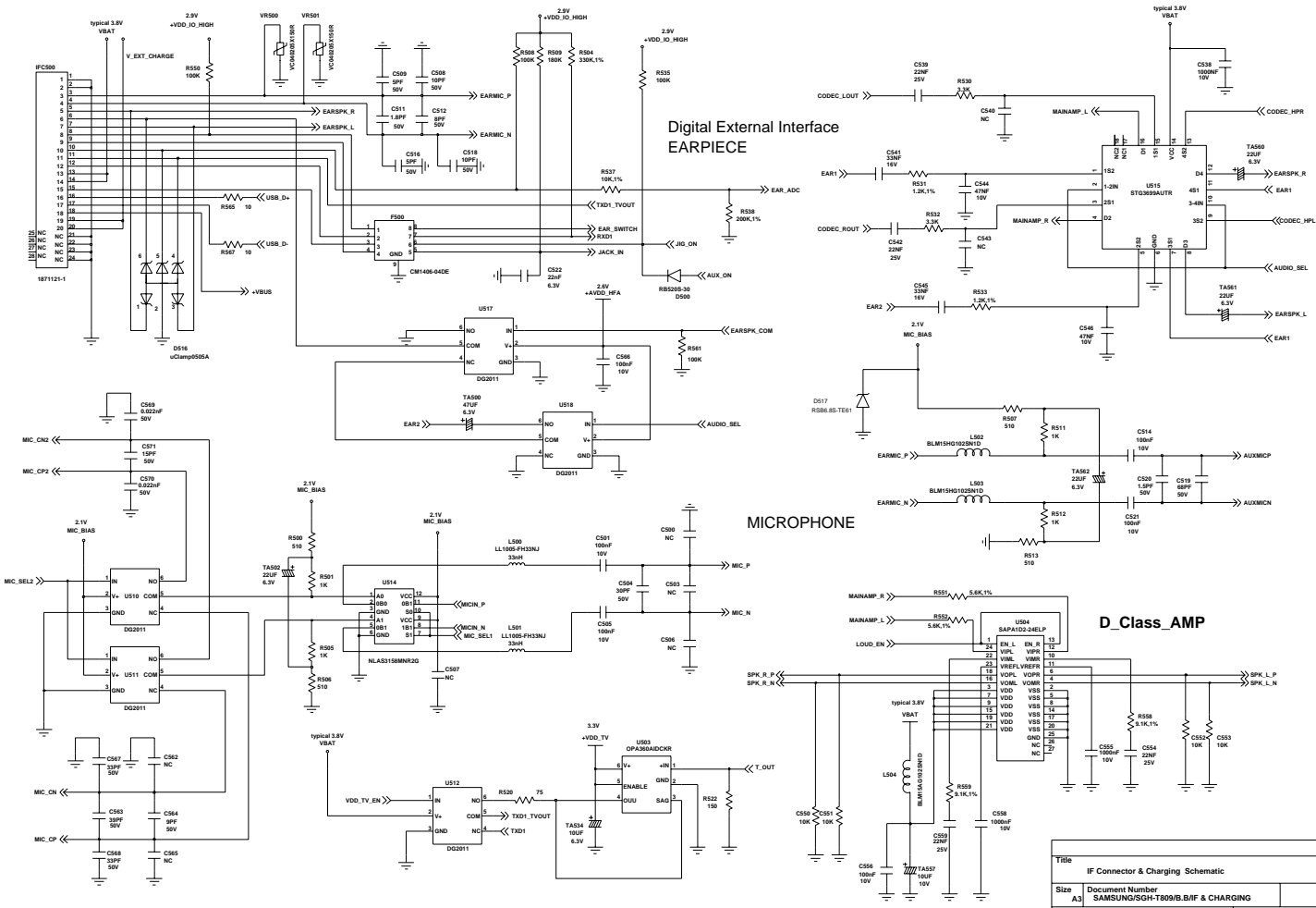
LDO

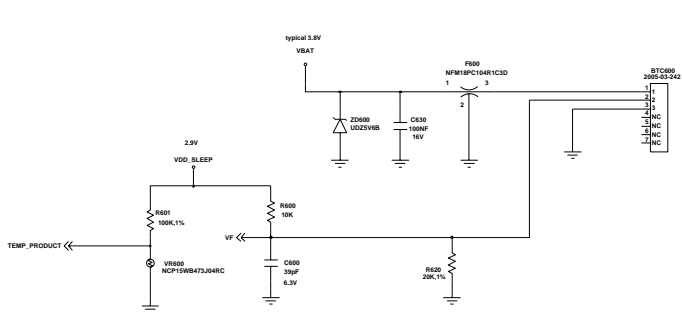


DC/DC Down Converter(1.875Volt)

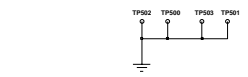


+VIN	5V
+VOUT_3.3V	3.3V
+VOUT_1.875V	1.875V
+VOUT_1.8V	1.8V
+VOUT_1.75V	1.75V
+VOUT_1.7V	1.7V
+VOUT_1.65V	1.65V
+VOUT_1.6V	1.6V
+VOUT_1.55V	1.55V
+VOUT_1.5V	1.5V
+VOUT_1.45V	1.45V
+VOUT_1.4V	1.4V
+VOUT_1.35V	1.35V
+VOUT_1.3V	1.3V
+VOUT_1.25V	1.25V
+VOUT_1.2V	1.2V
+VOUT_1.15V	1.15V
+VOUT_1.1V	1.1V
+VOUT_1.05V	1.05V
+VOUT_1.0V	1.0V
+VOUT_0.95V	0.95V
+VOUT_0.9V	0.9V
+VOUT_0.85V	0.85V
+VOUT_0.8V	0.8V
+VOUT_0.75V	0.75V
+VOUT_0.7V	0.7V
+VOUT_0.65V	0.65V
+VOUT_0.6V	0.6V
+VOUT_0.55V	0.55V
+VOUT_0.5V	0.5V
+VOUT_0.45V	0.45V
+VOUT_0.4V	0.4V
+VOUT_0.35V	0.35V
+VOUT_0.3V	0.3V
+VOUT_0.25V	0.25V
+VOUT_0.2V	0.2V
+VOUT_0.15V	0.15V
+VOUT_0.1V	0.1V
+VOUT_0.05V	0.05V
+VOUT_0.0V	0.0V

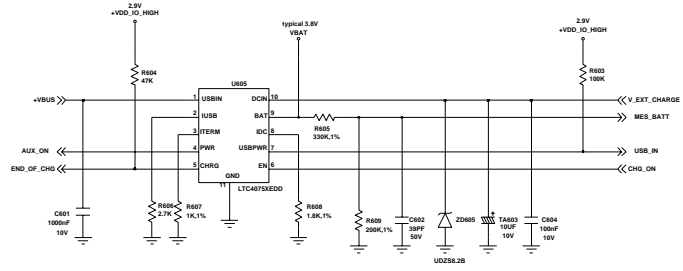
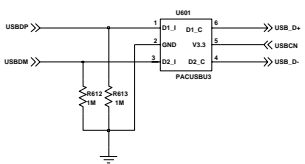




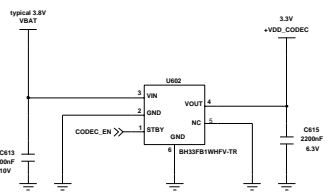
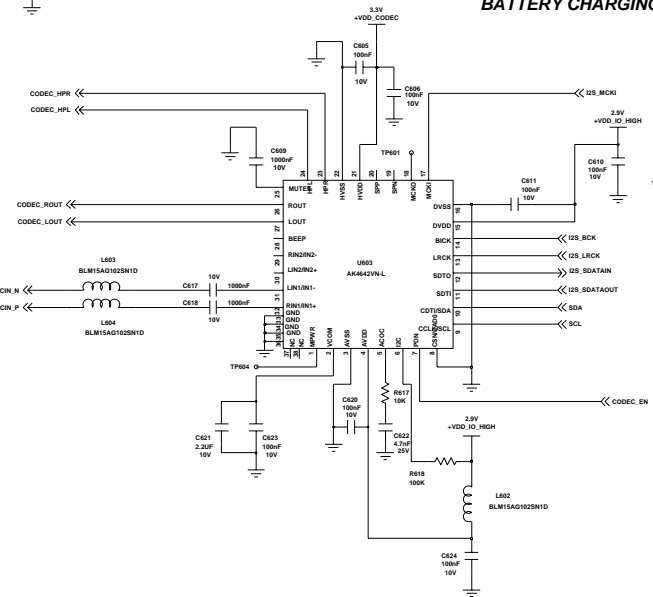
THERMISTER



PCB_HOLE

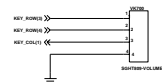
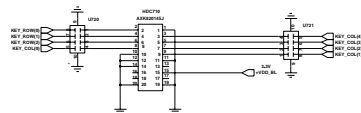
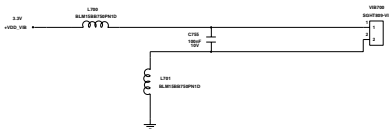


BATTERY CHARGING

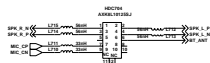


FLIP

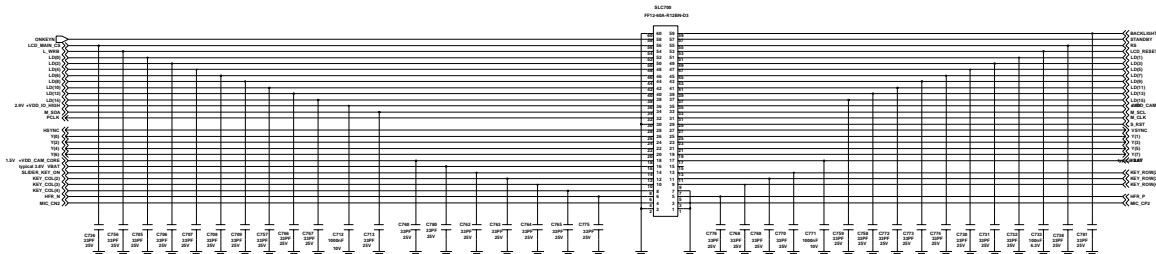
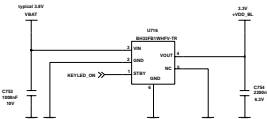
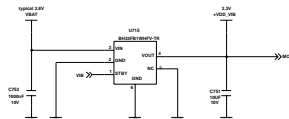
Title		
Audio & KEY Schematic		
Standard Number		
SAMSUNG/SGH-T809B.B/Audio & KEY		
Date:	Sheet	6 of 6



KEY_CONNECTOR

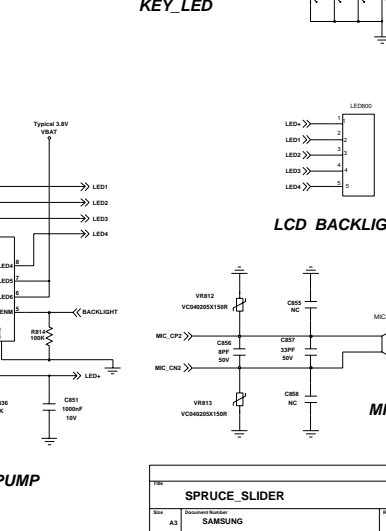
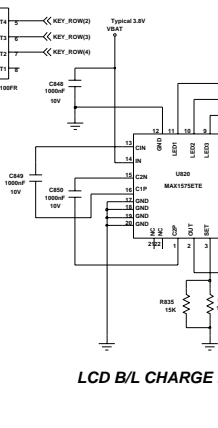
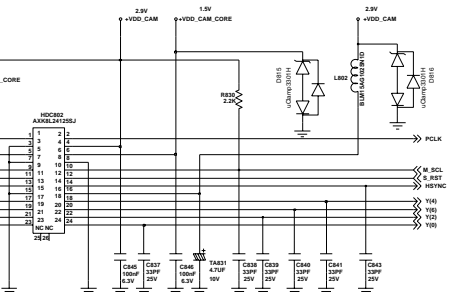
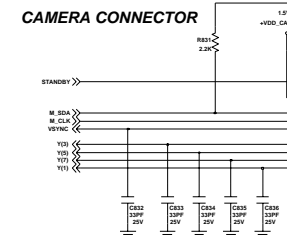
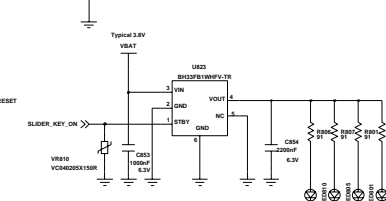
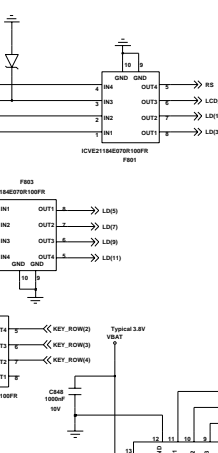
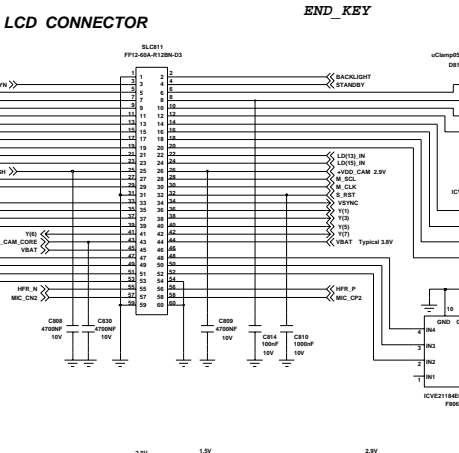
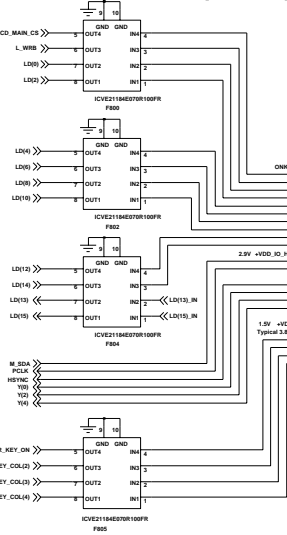
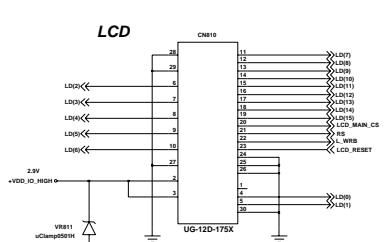
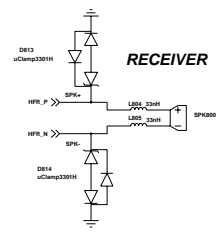
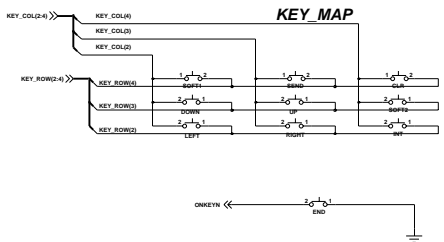
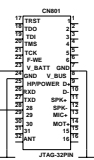


SPK, MIC, VIB CONNECTOR



LCD_CONNECTOR

PCB TEST POINTS



SPRUCE SLIDER		
REV	Revision Number	REV
A3	SAMSUNG	
Date:		Sheet 1 of 1