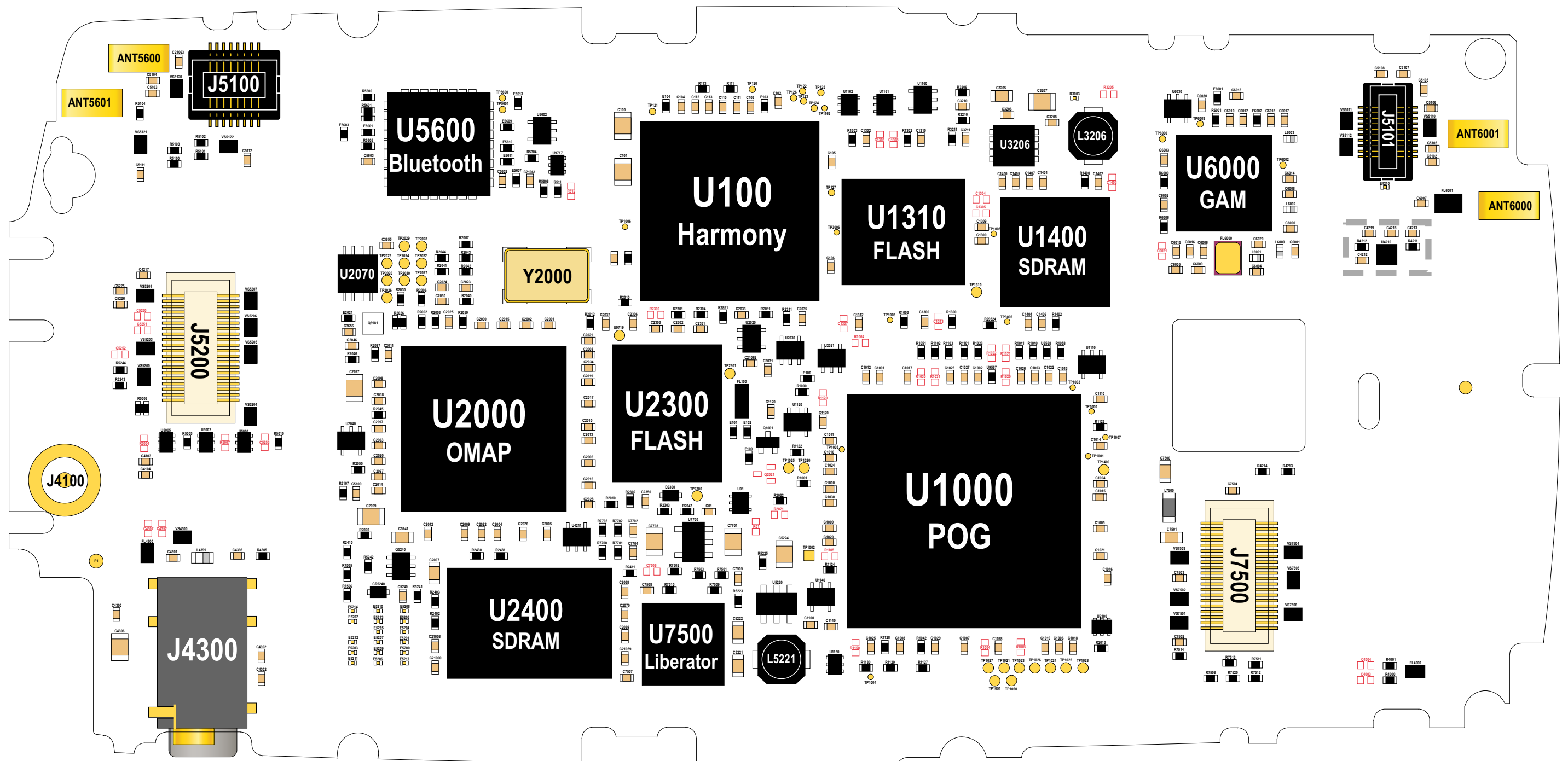


A1000: Layout Side 1

PCB: 8488485N02 Iss A



A1000: Layout Side 2

PCB: 8488485N02 Iss A

