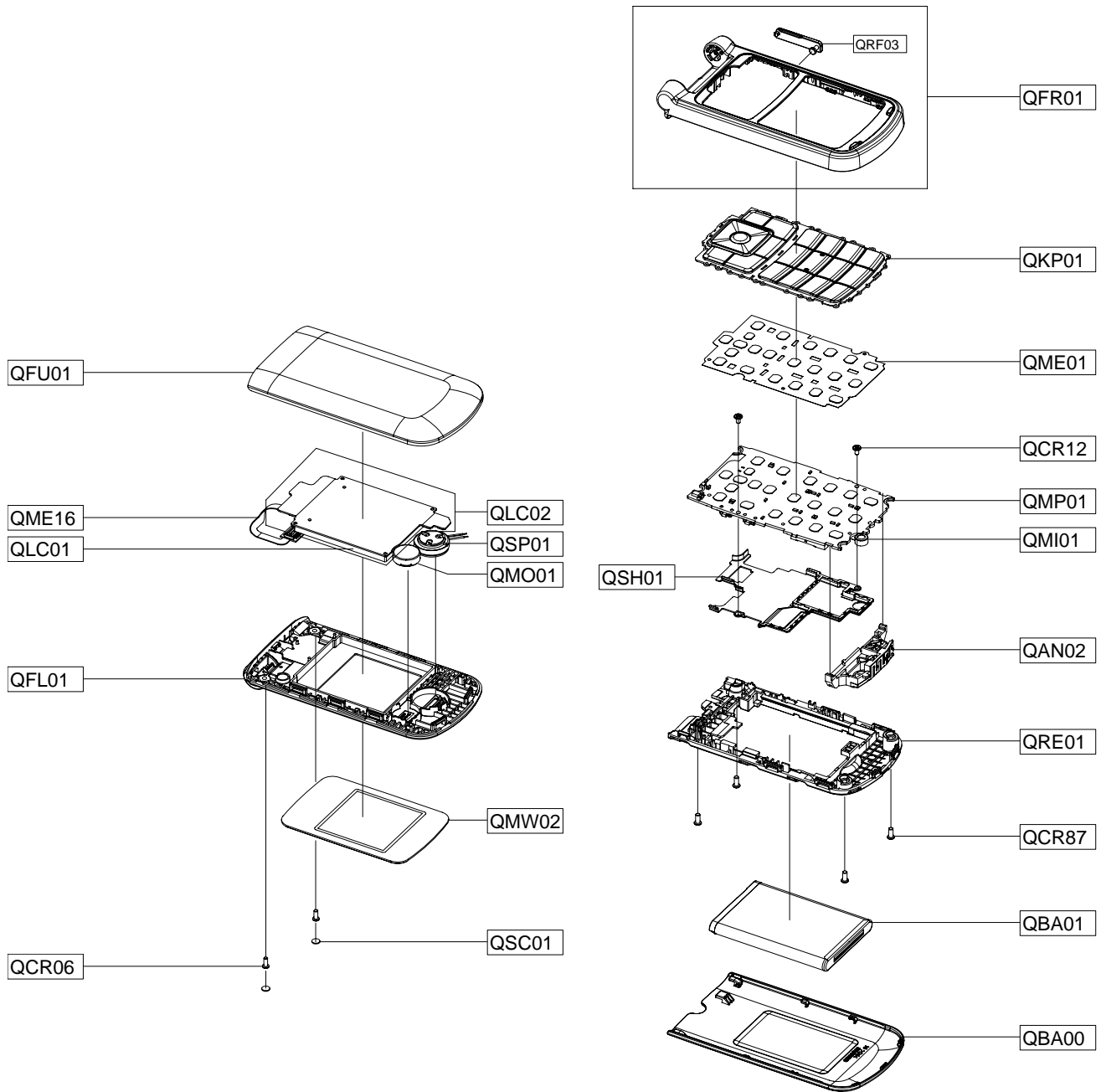


5. Exploded View and Parts List

5-1. Cellular phone Exploded View



5-2. Cellular phone Parts list

Design LOC	Description	SEC CODE
QAN02	INTENNA-SGHB300	GH42-01534A
QBA00	PMO COVER-BATTERY	GH72-46670A
QBA01	INNER BATTERY PACK-750MAH,BLK,	GH43-02483A
QCR06	SCREW-MACHINE	6001-001155
QCR12	SCREW-MACHINE	6001-001530
QCR87	SCREW-TAPPING	6002-001412
QFL01	ASSY CASE-LOWER	GH98-07688A
QFR01	ASSY CASE-FRONT	GH98-07687A
QFU01	ASSY CASE-UPPER	GH98-07689A
QKP01	ASSY KEYPAD-(XEF/DGA)	GH98-07671A
QLC01	LCD-MODULE SGHB110L	GH07-01241A
QLC02	ELA UNIT-SGHB300 LCD MODULE SV	GH96-03067A
QME01	DOME SHEET-SGHB300	GH59-05506A
QME16	UNIT-SGHB300 CON TO CON	GH59-05509A
QMI01	MICROPHONE-ASSY-SGHB300	GH30-00467A
QMO01	MOTOR DC-SGHZ130	GH31-00154C
QMP01	A/S ASSY-PBA MAIN	GH82-02949A(Turkey)
QMP01	PBA MAIN-SGHB300S	GH92-04670A
QMW02	PMO WINDOW-MAIN	GH72-46665A
QRE01	ASSY CASE-REAR	GH98-07686A
QRF03	PMO COVER-EAR	GH72-46664A
QSC01	TAPE-COVER SCREW LOWER	GH74-38101A
QSH01	ASSY BRACKET-SHIELD CAN	GH98-07685A
QSP01	SPEAKER	3001-002344