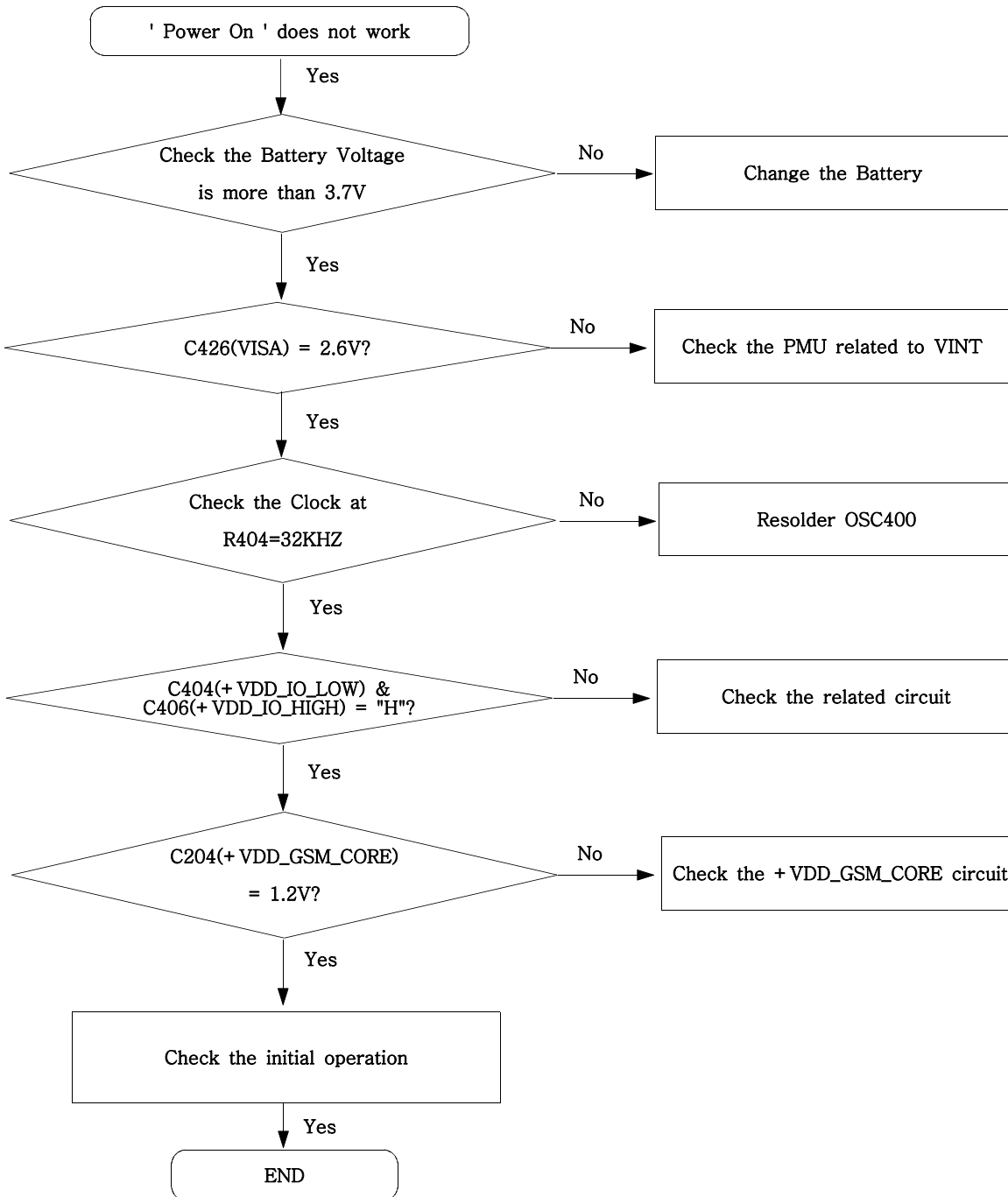
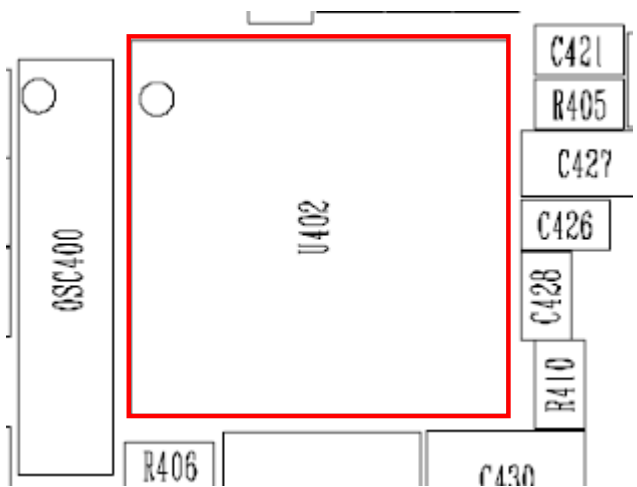
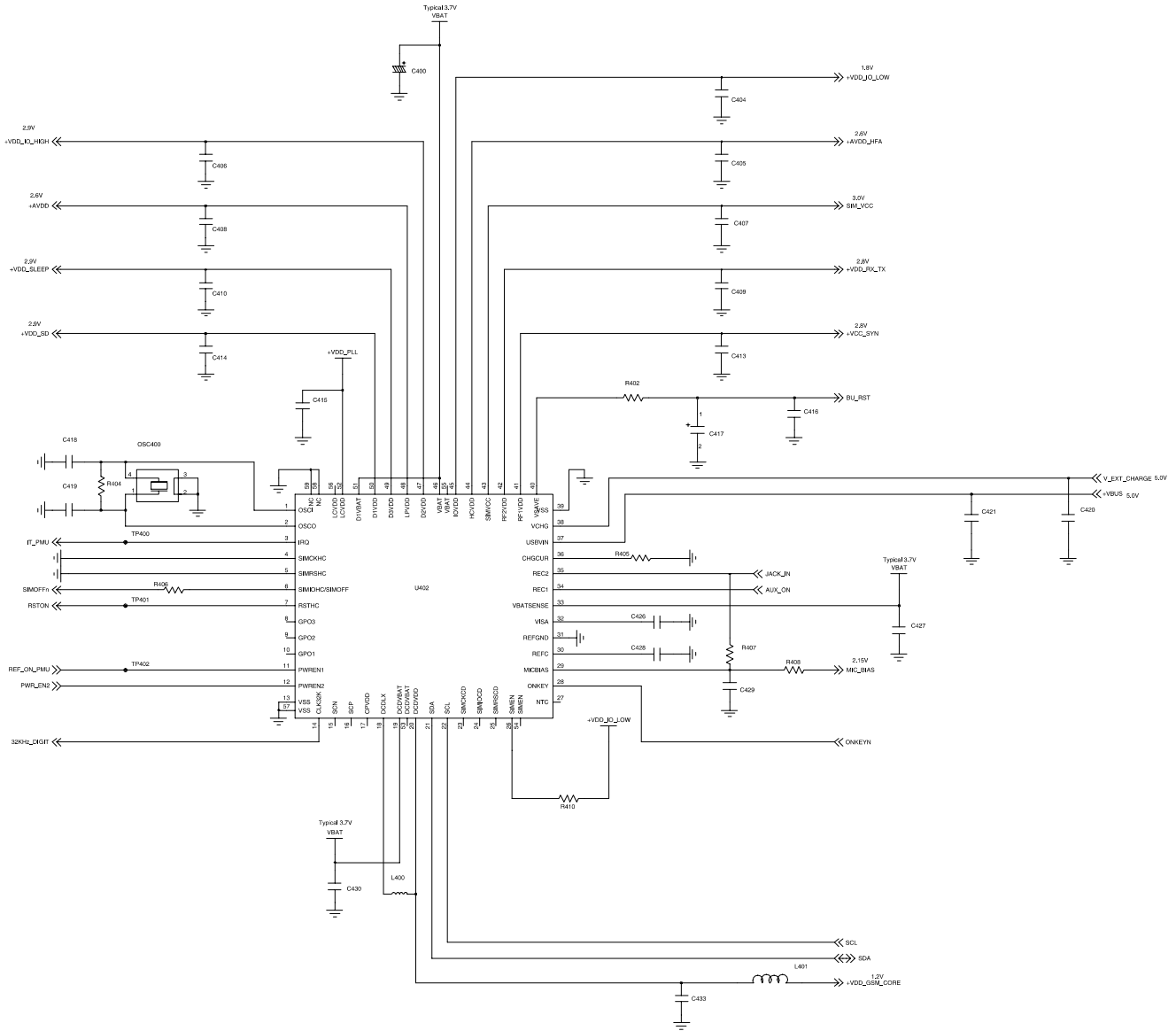

9. Flow Chart of Troubleshooting

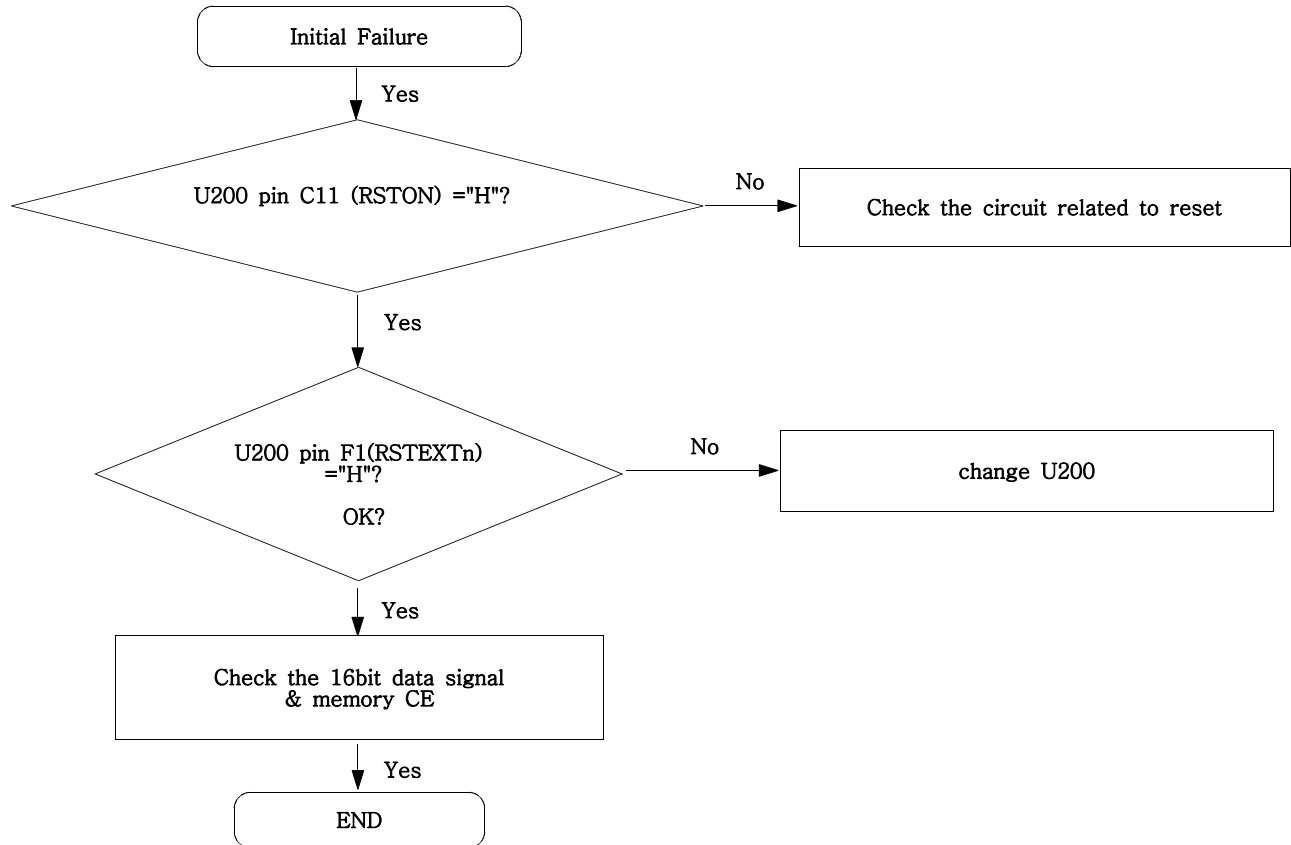
9-1. Power On



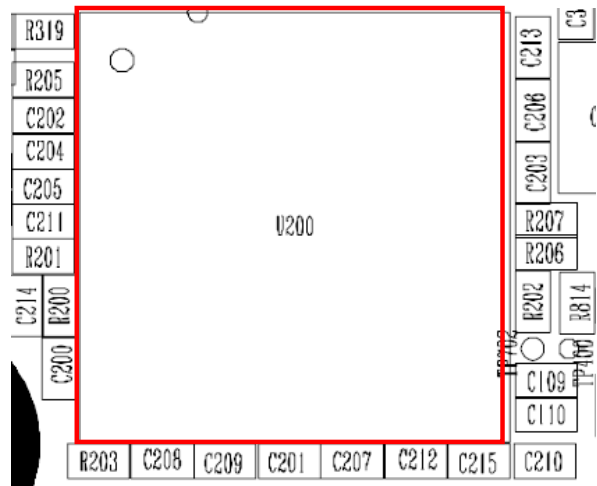
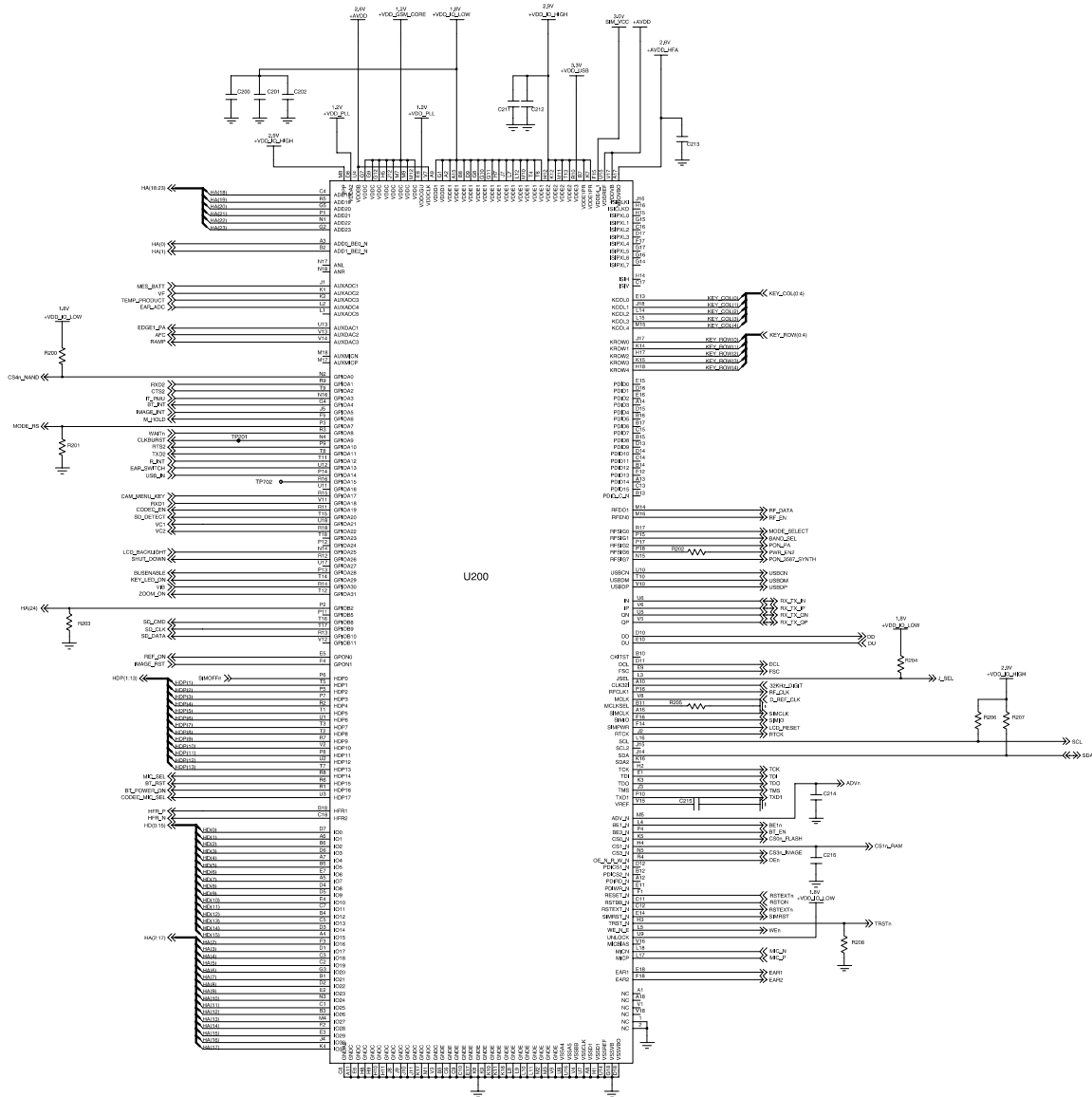
Flow Chart of Troubleshooting



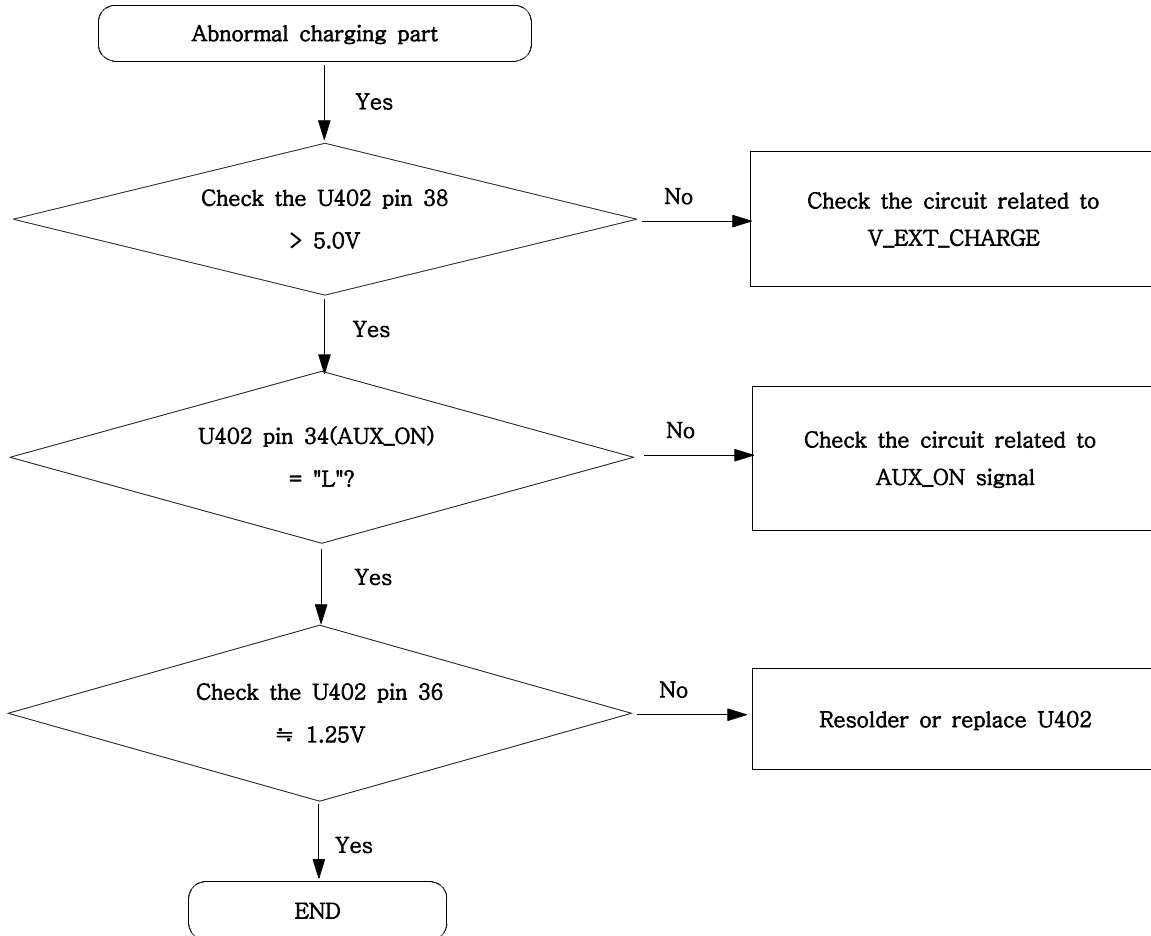
9-2. Initial

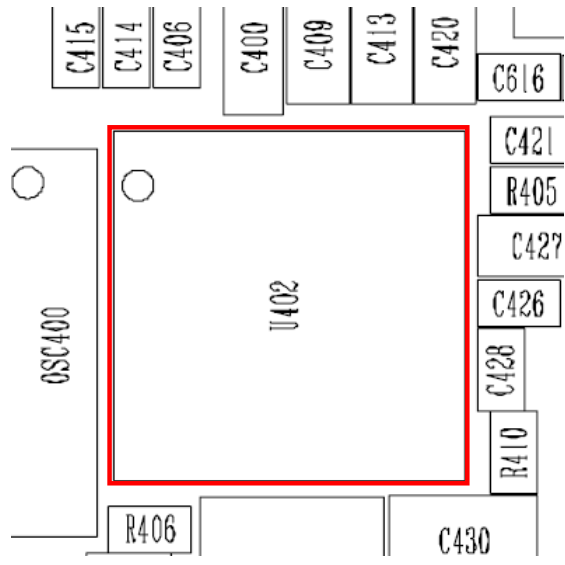
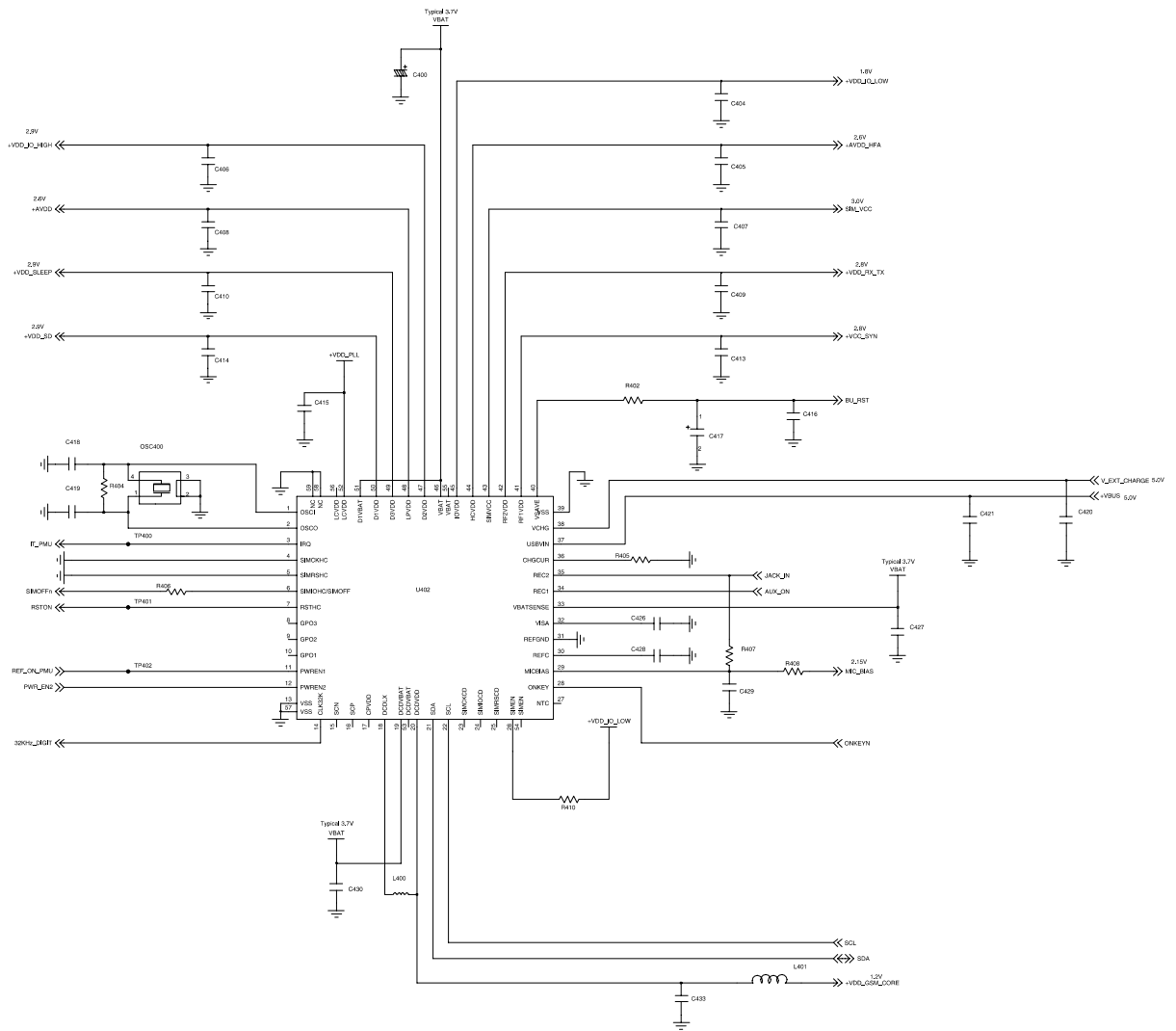


Flow Chart of Troubleshooting

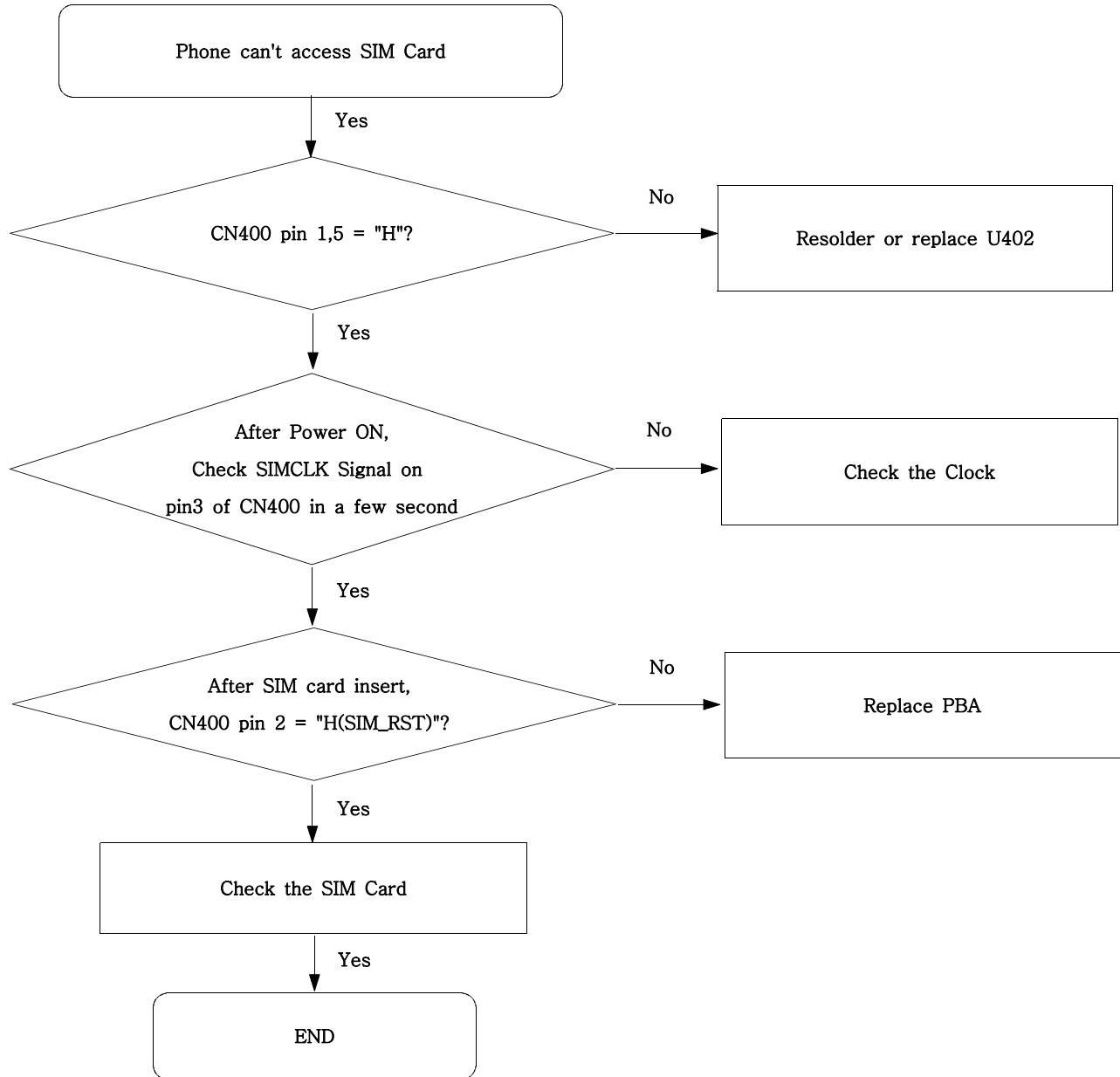


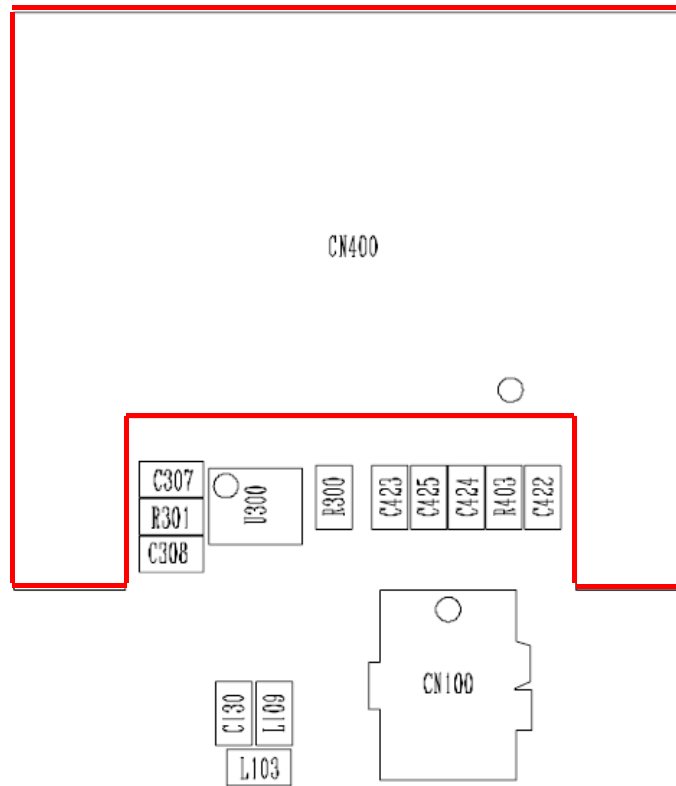
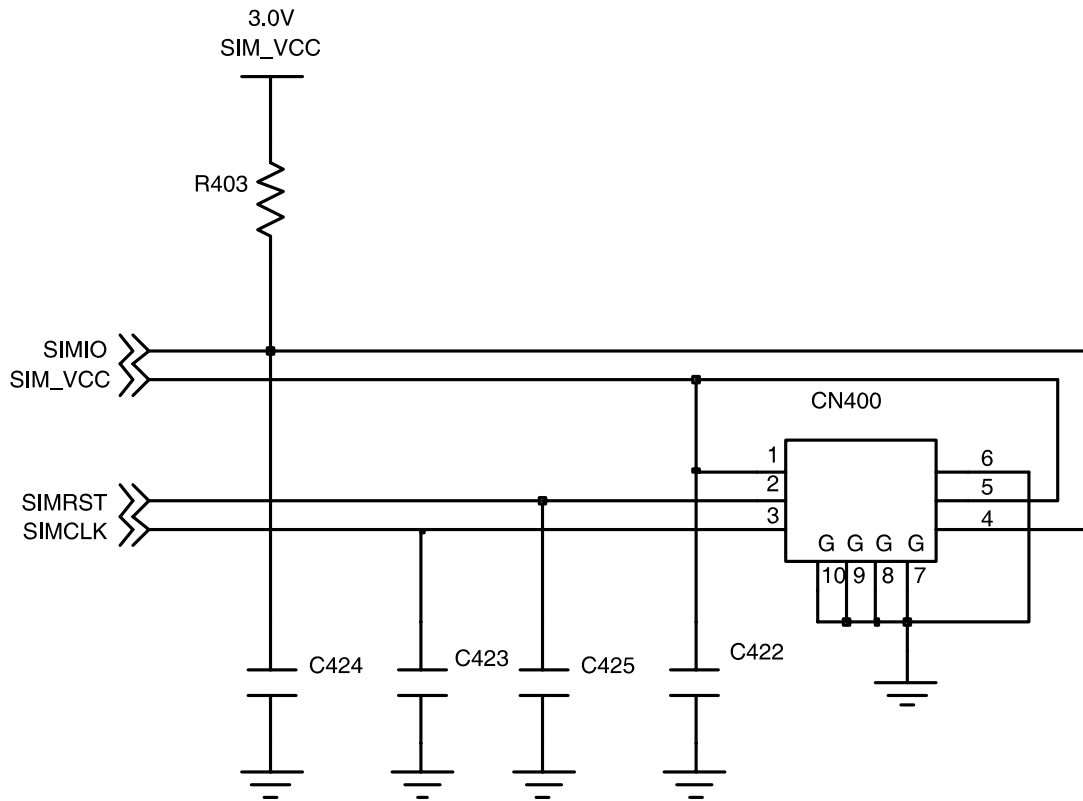
9-3. Charging Part



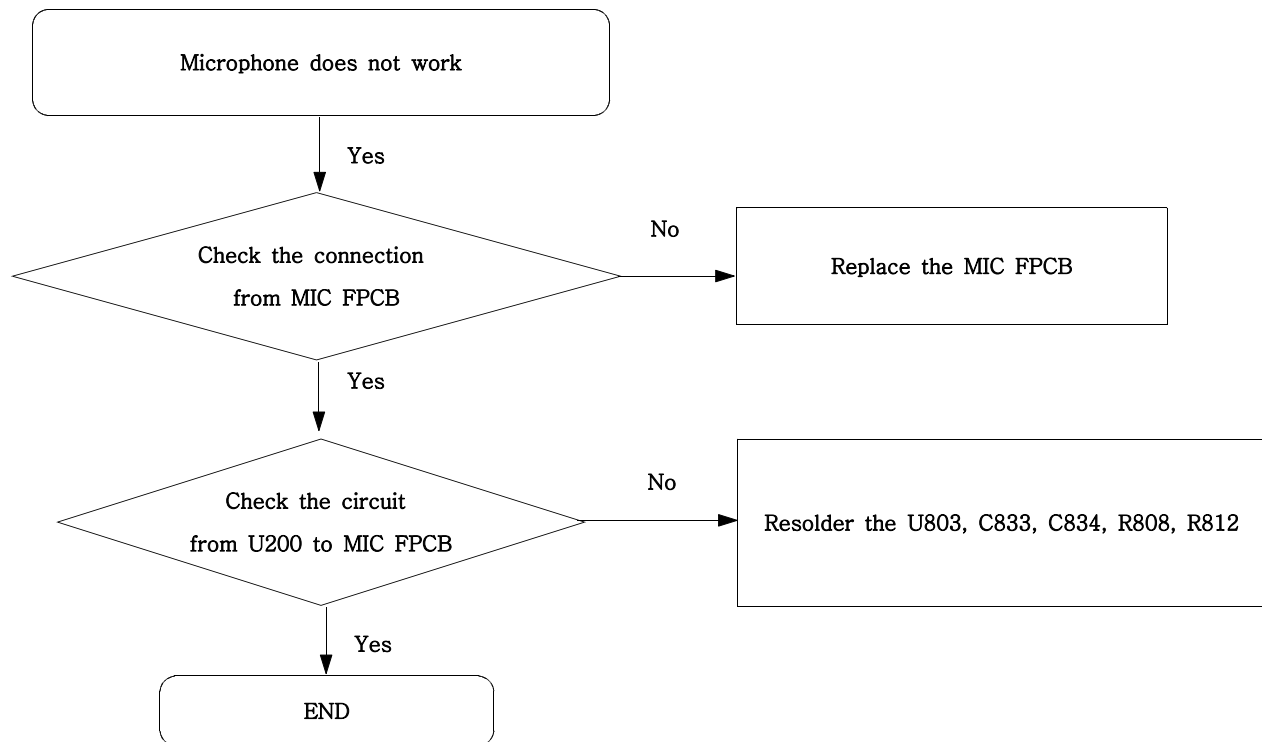


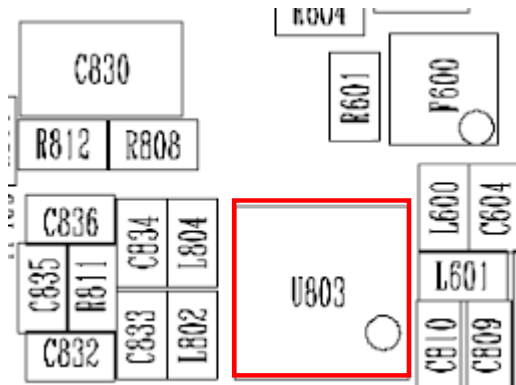
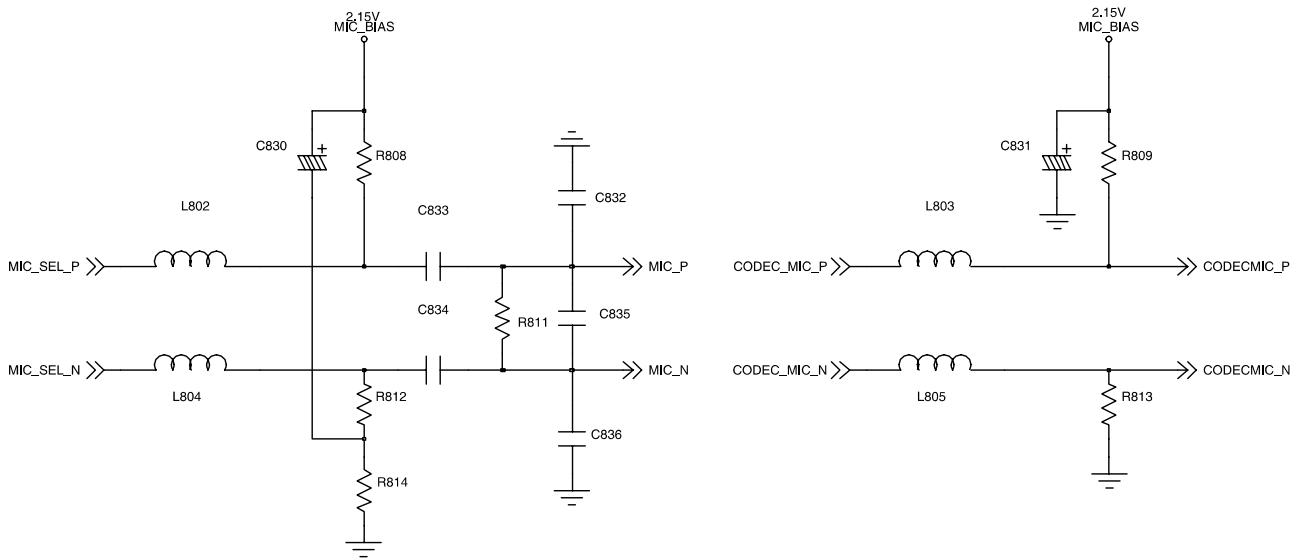
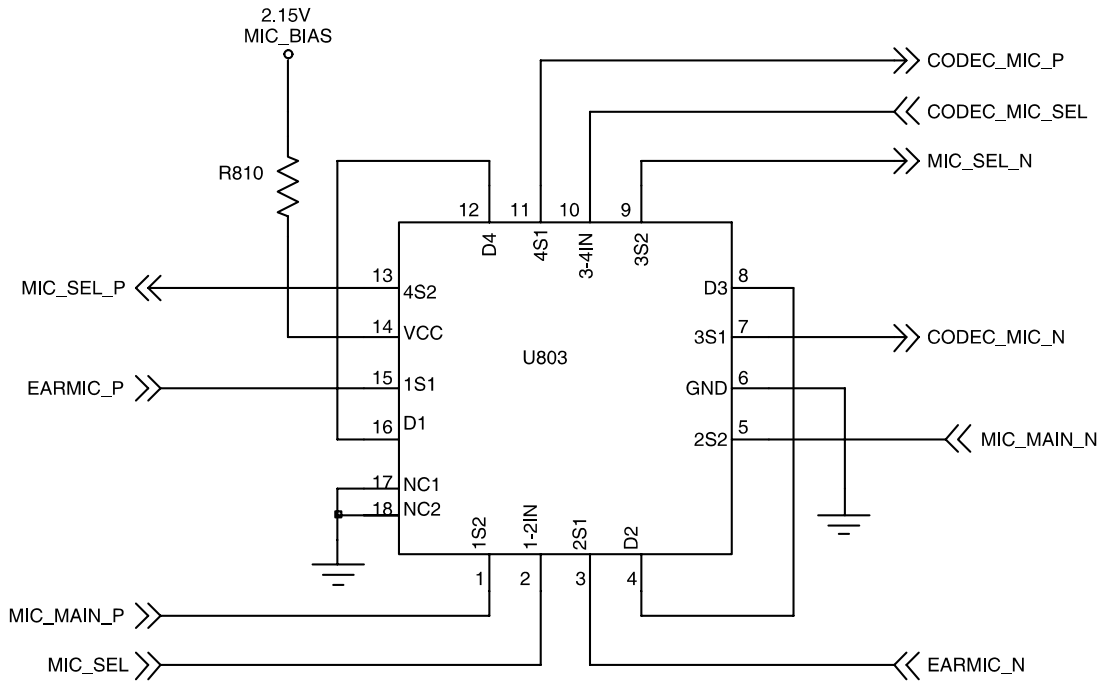
9-4. Sim Part



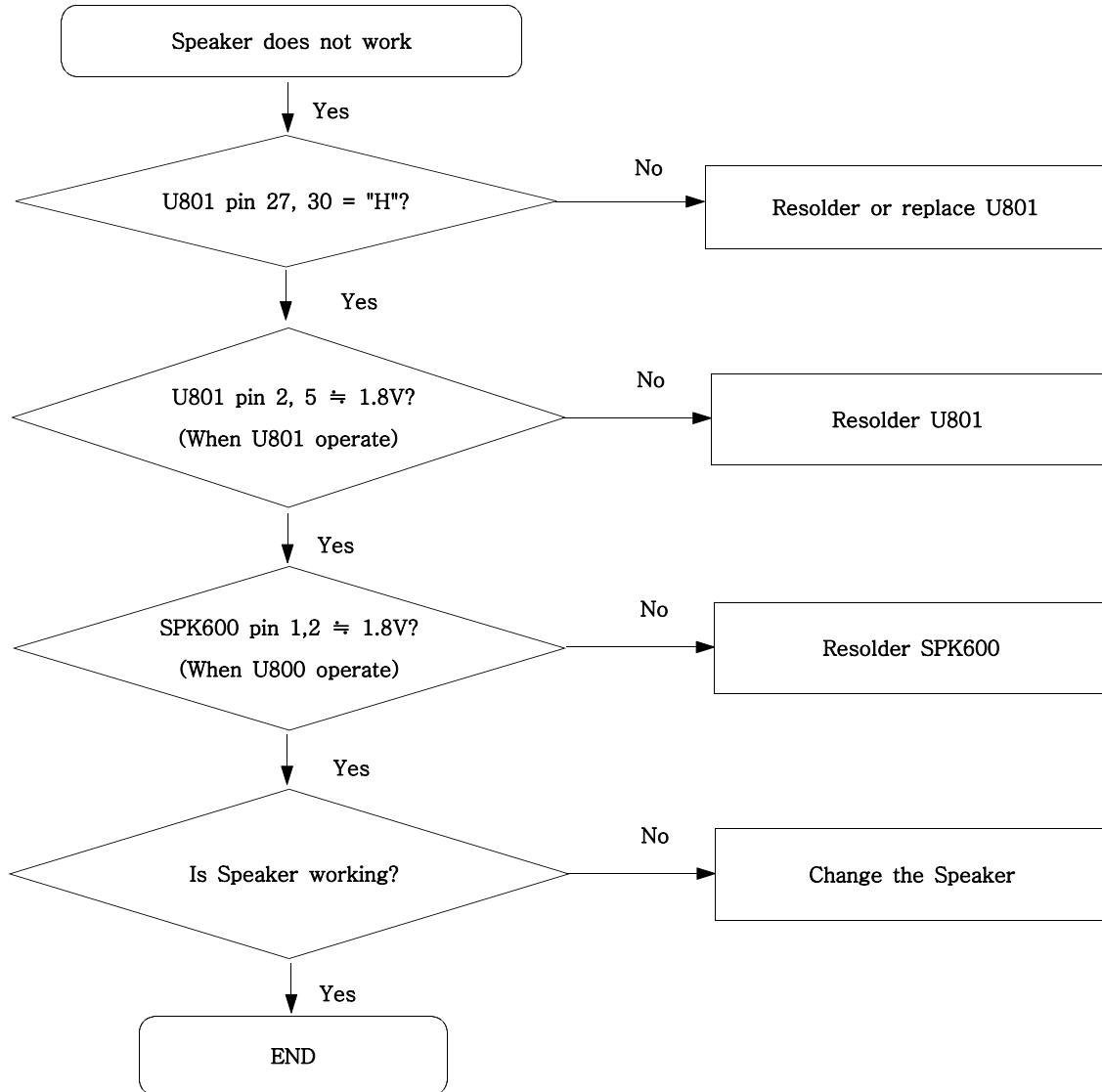


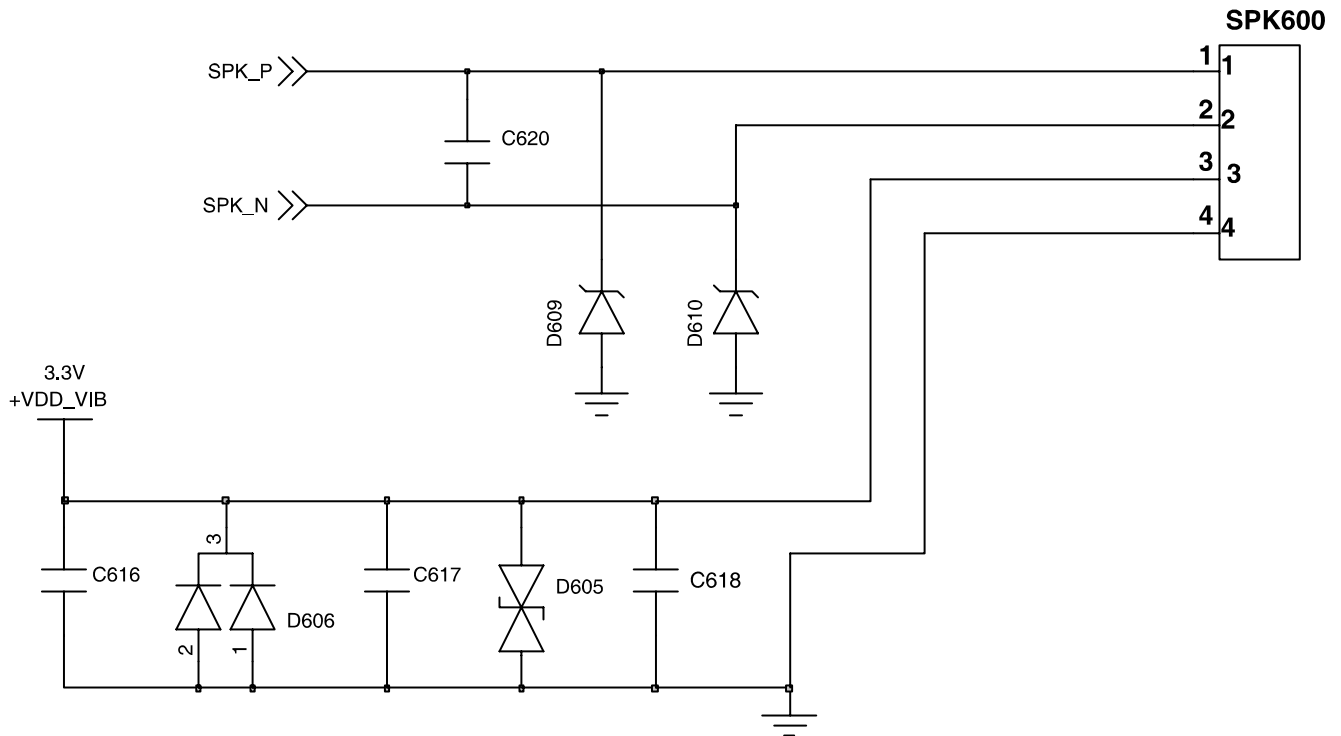
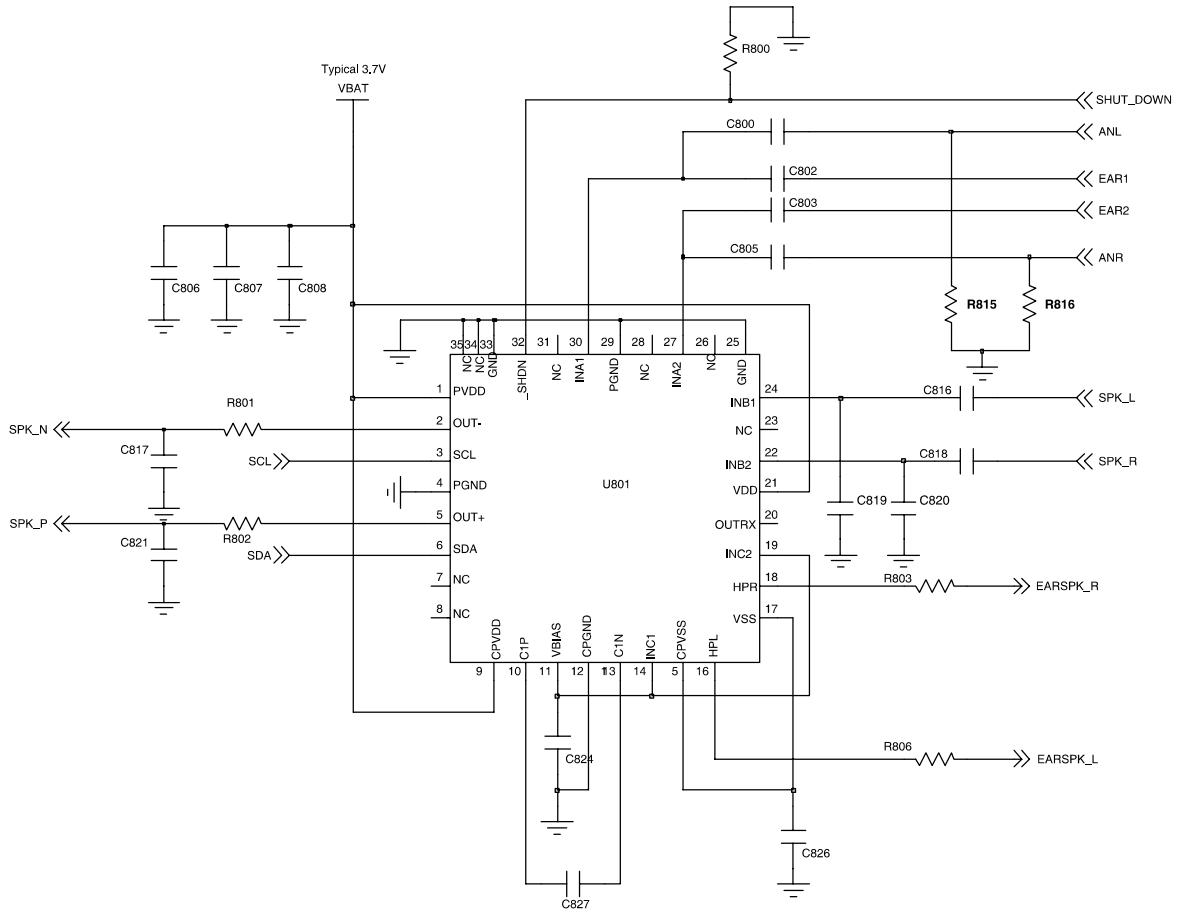
9-5. Microphone Part

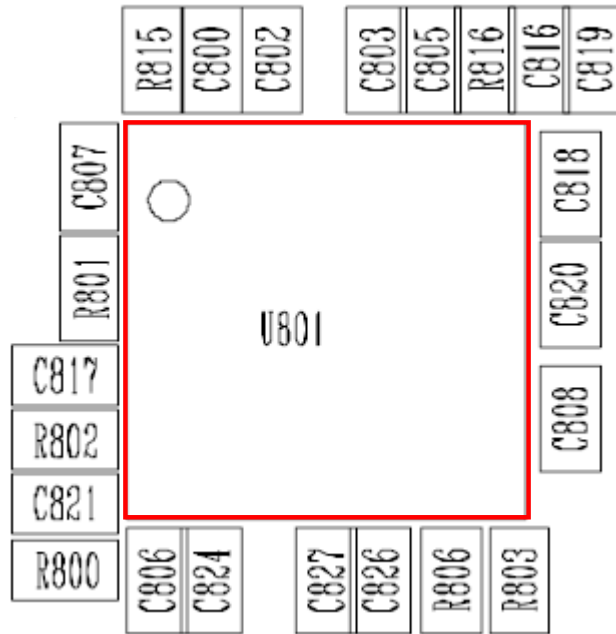




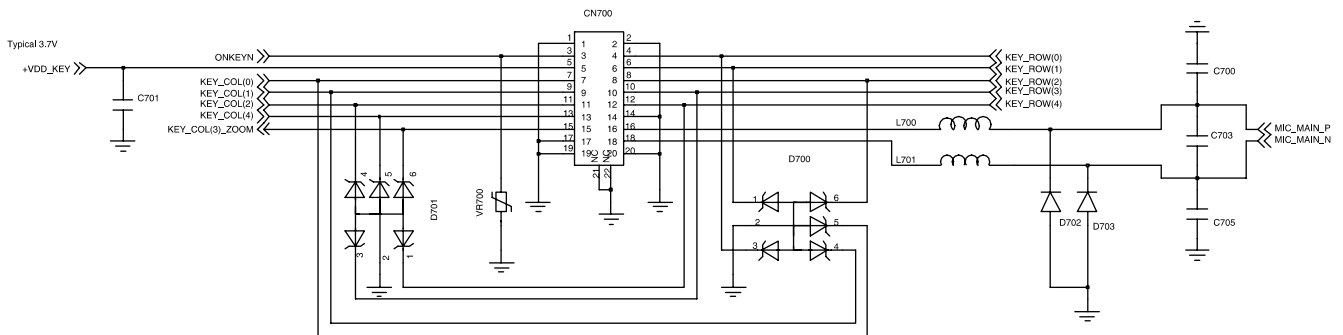
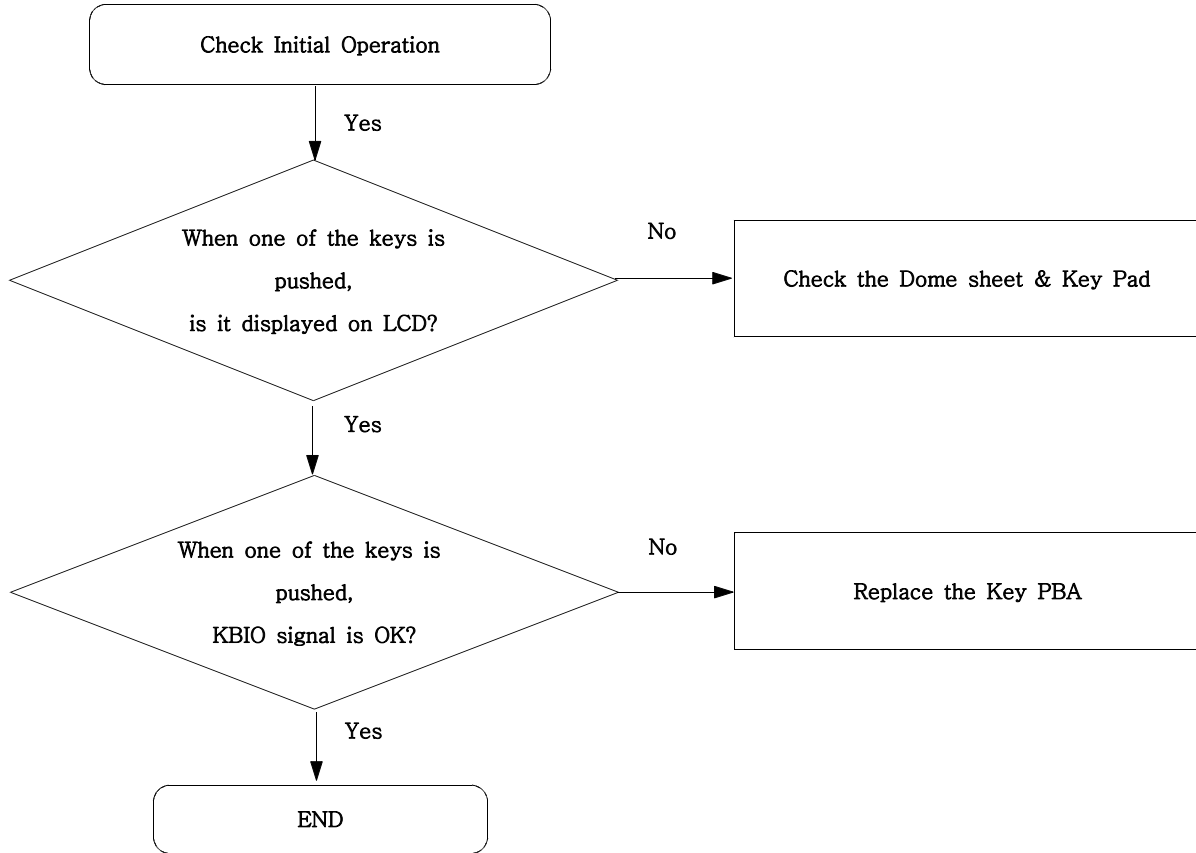
9-6. Speaker Part(Melody)



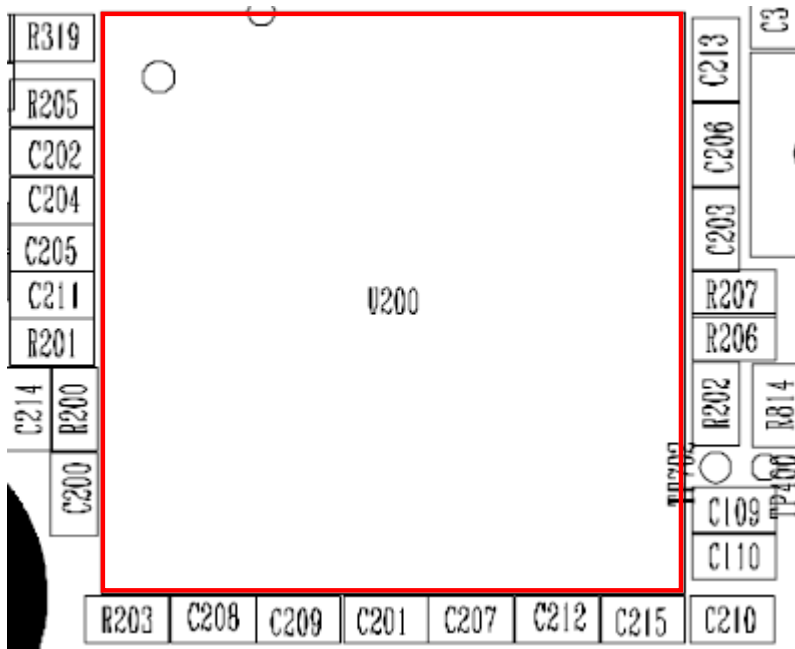
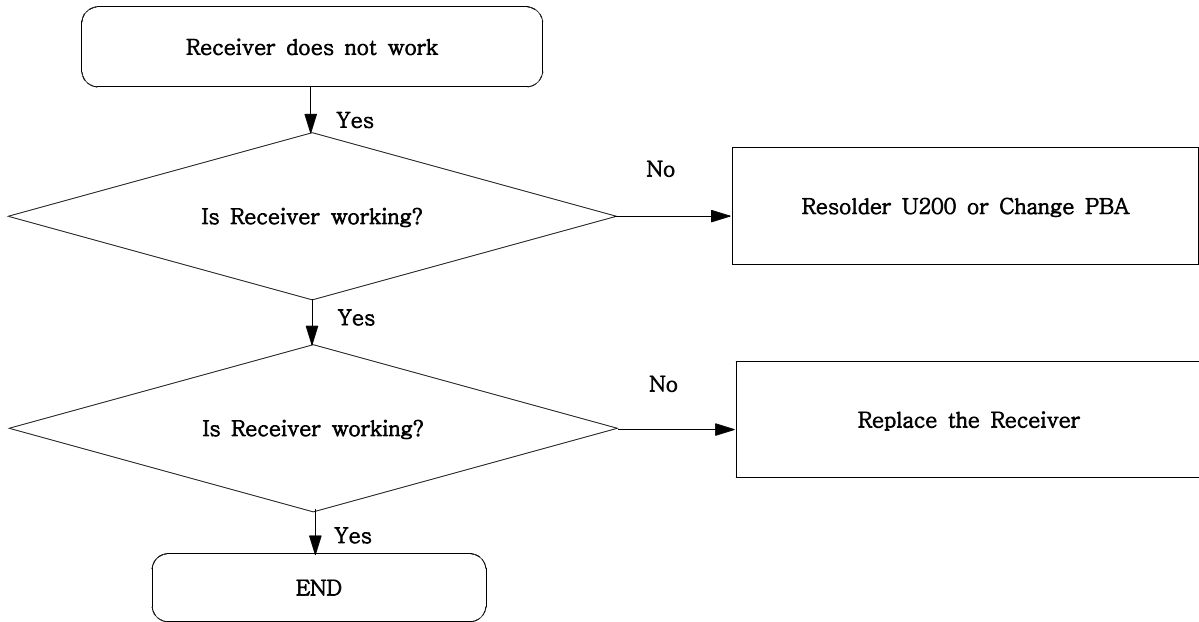




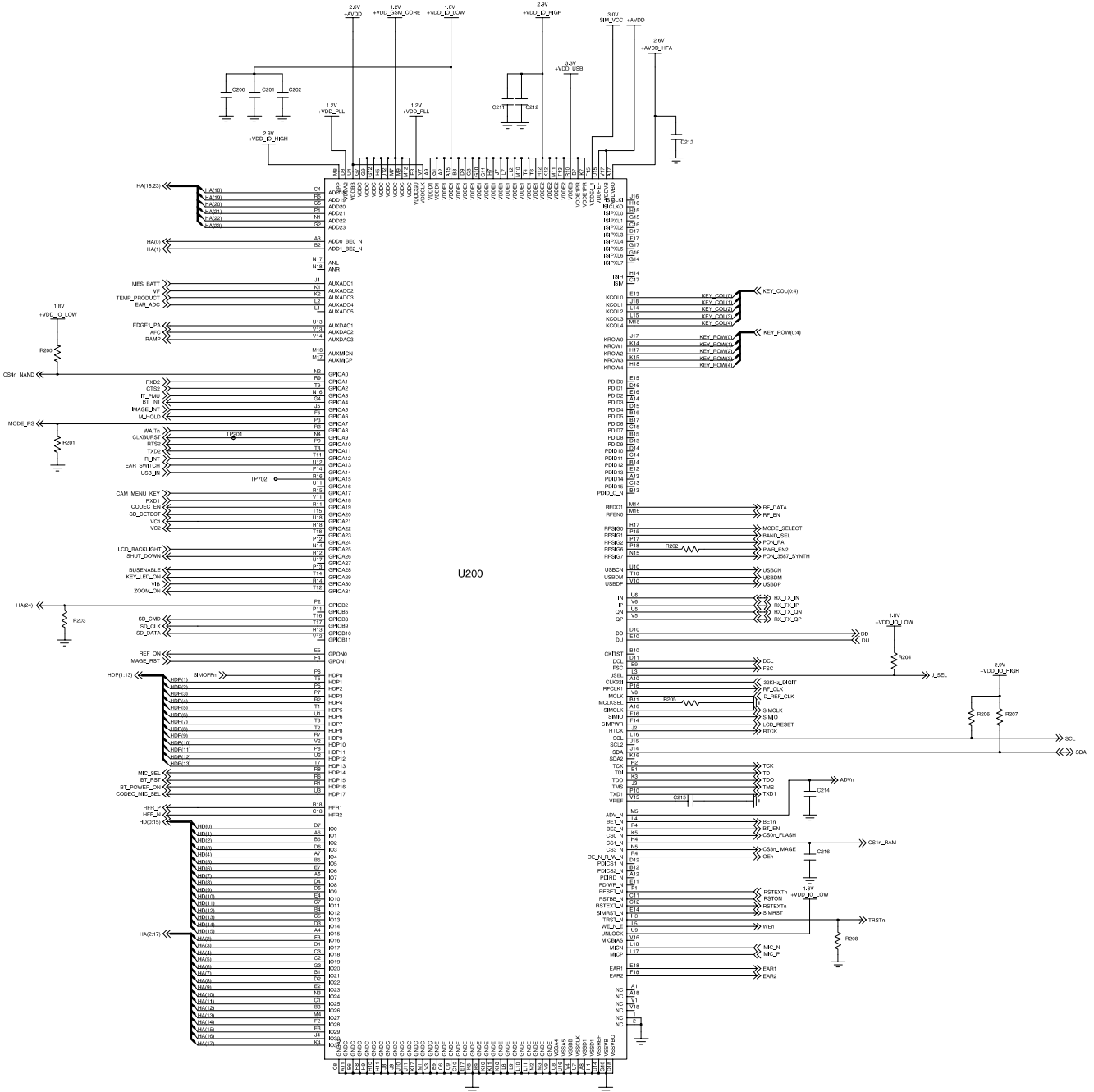
9-7. Key Data Input



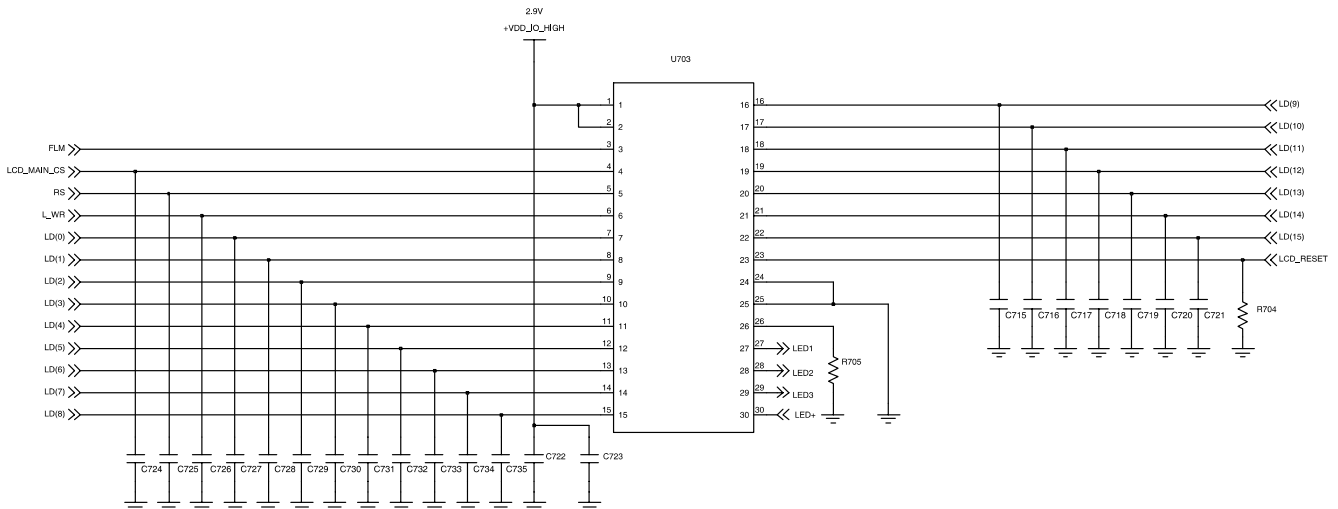
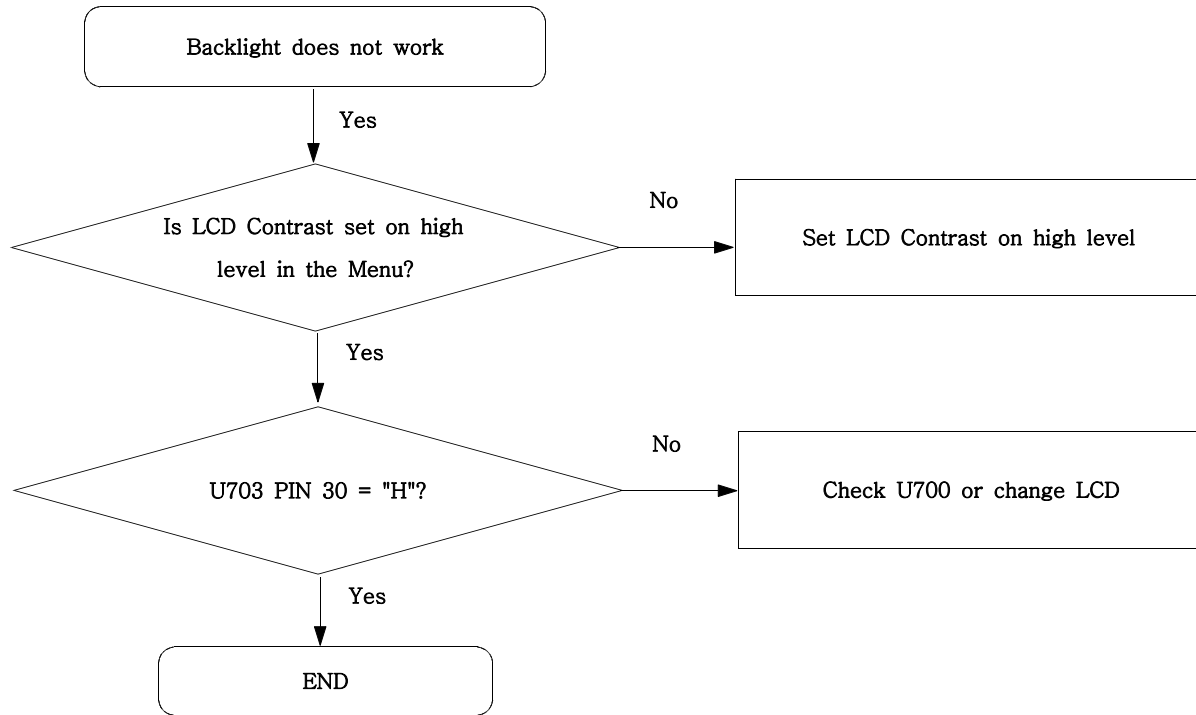
9-8. Receiver Part

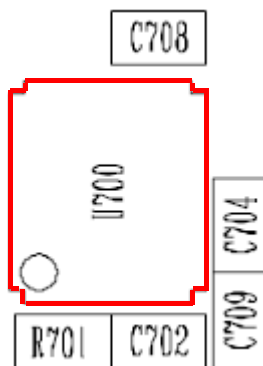
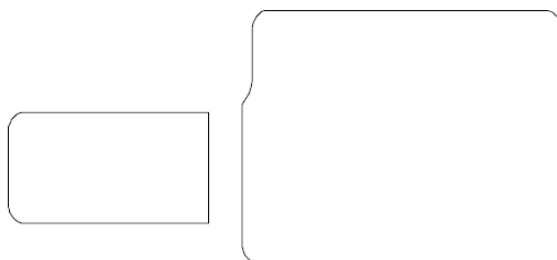
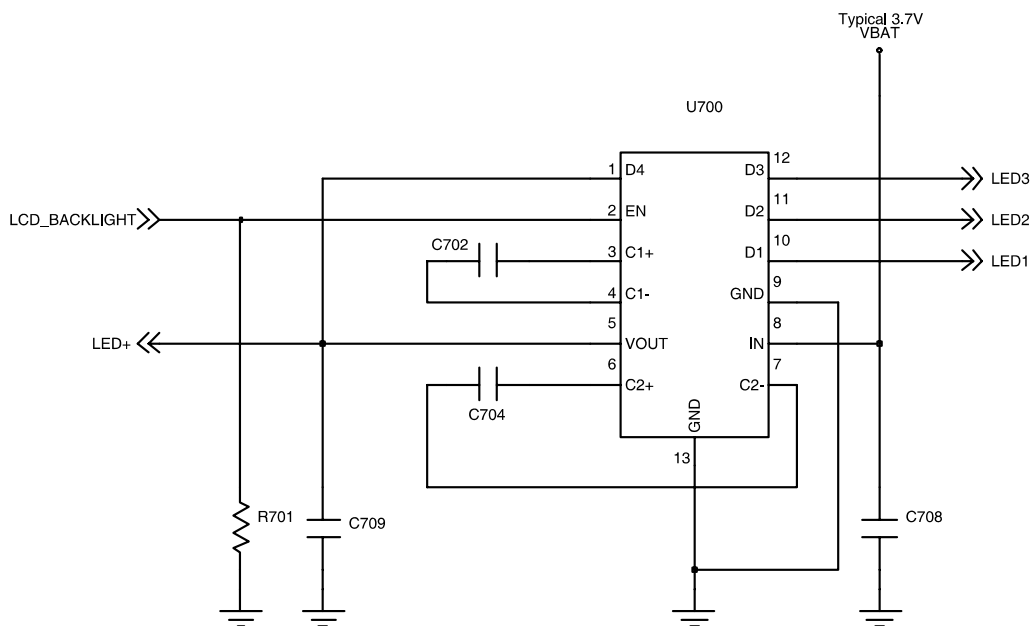


Flow Chart of Troubleshooting

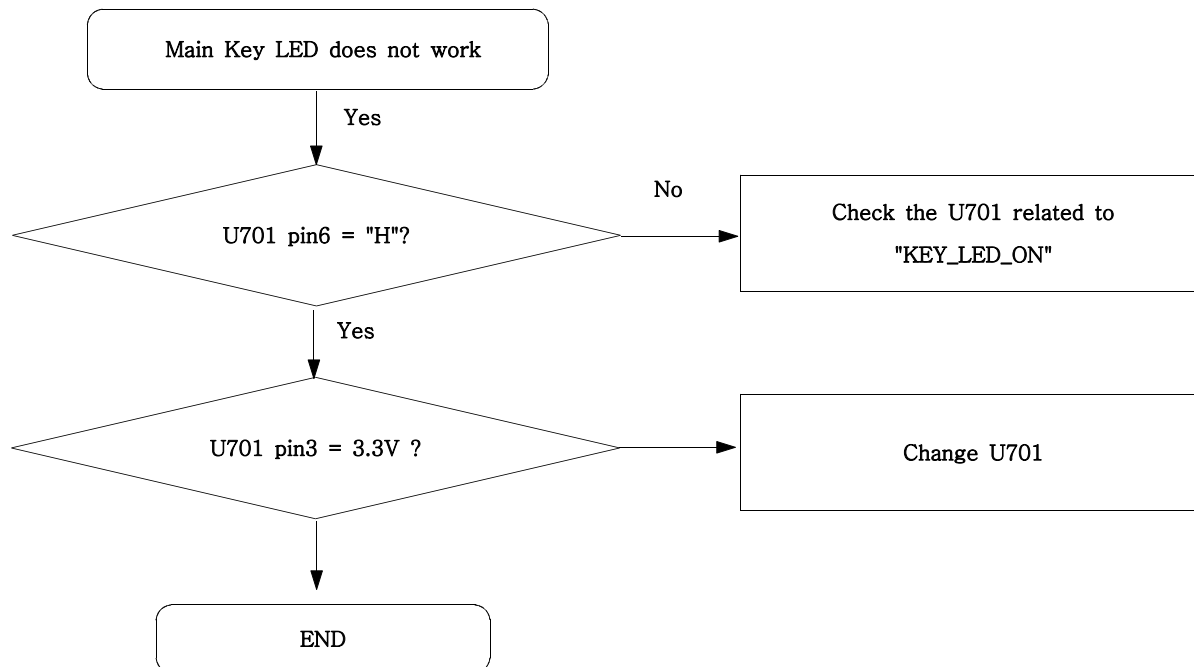


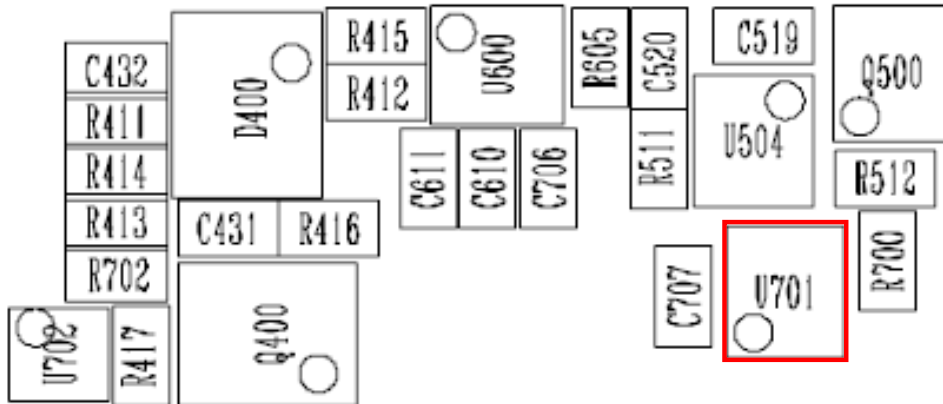
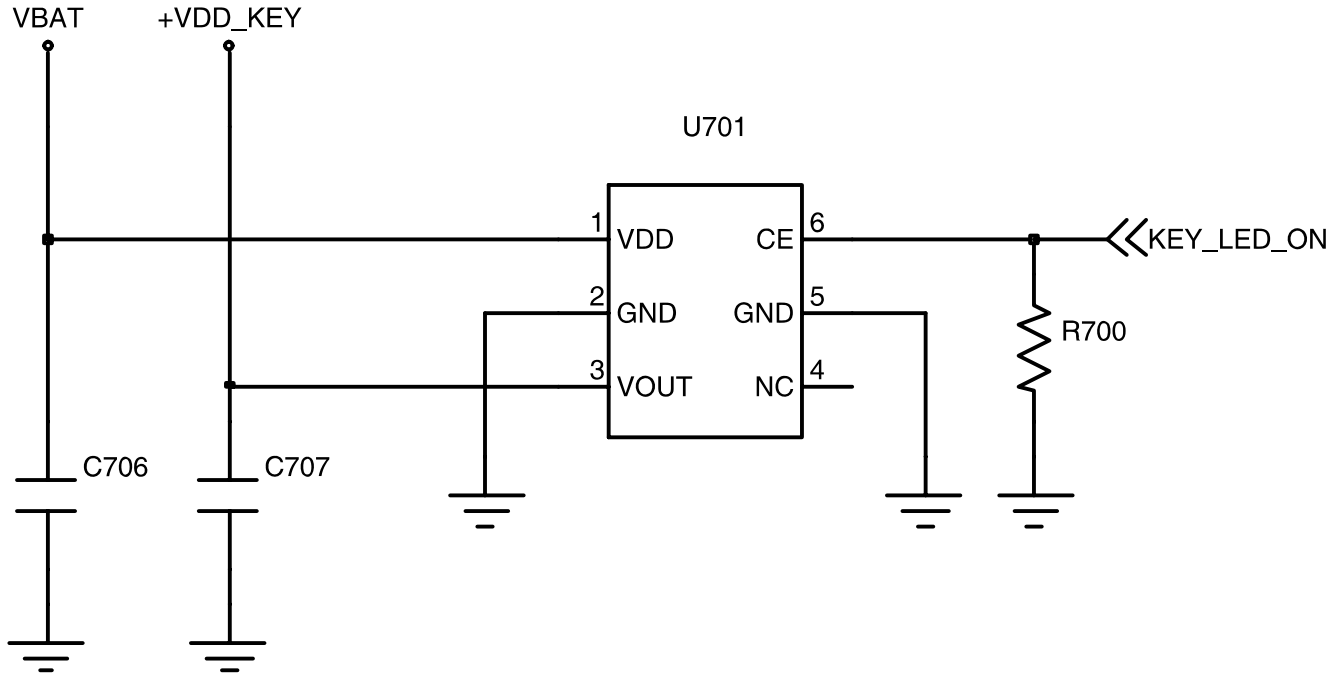
9-9. Back Light (for Color Main LCD)



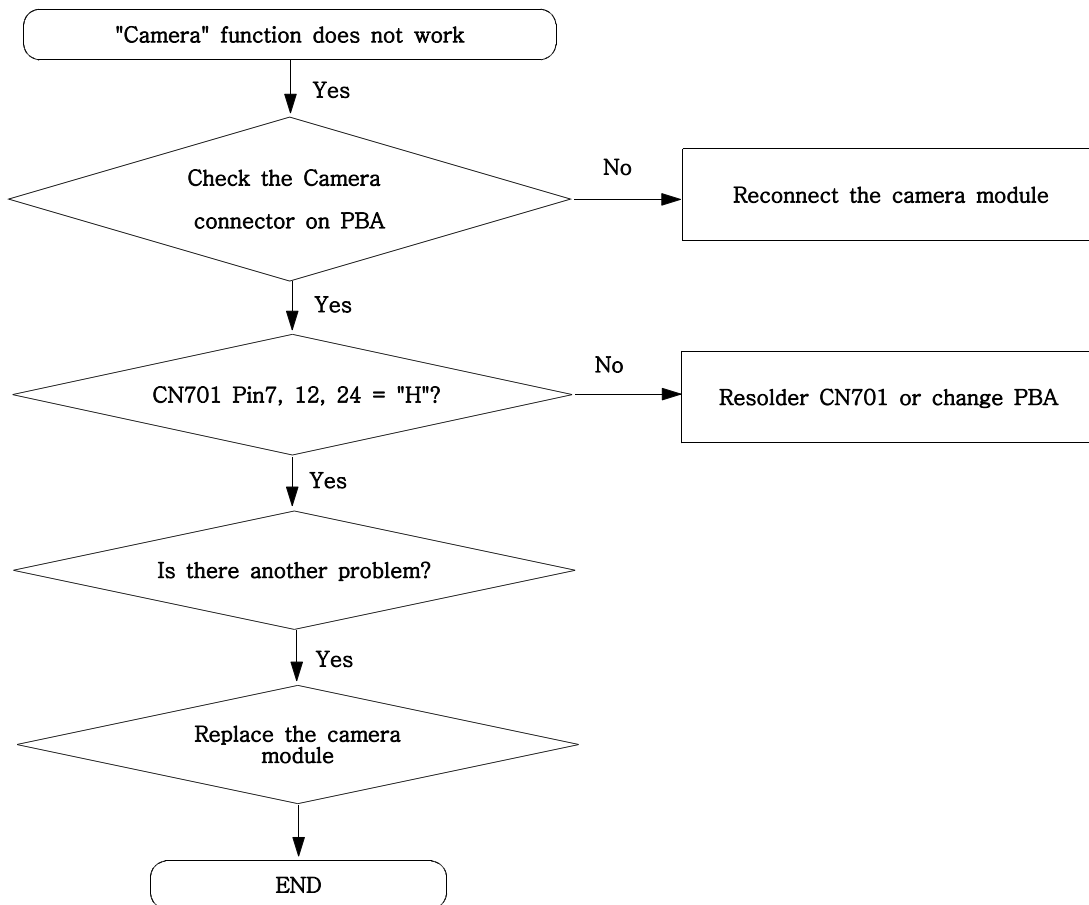


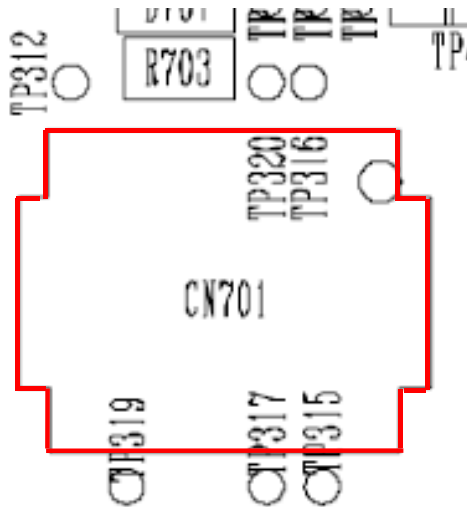
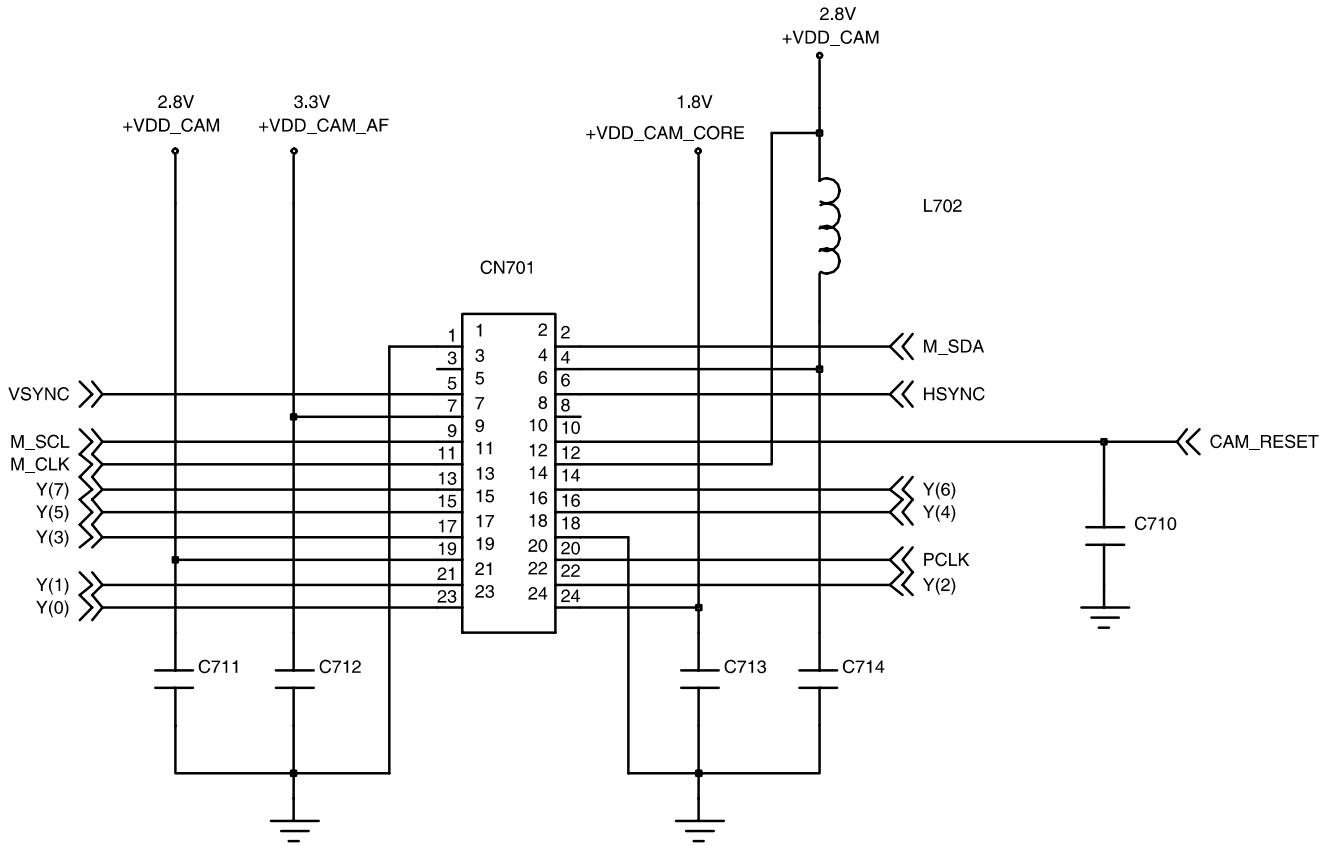
9-10. Key Back Light



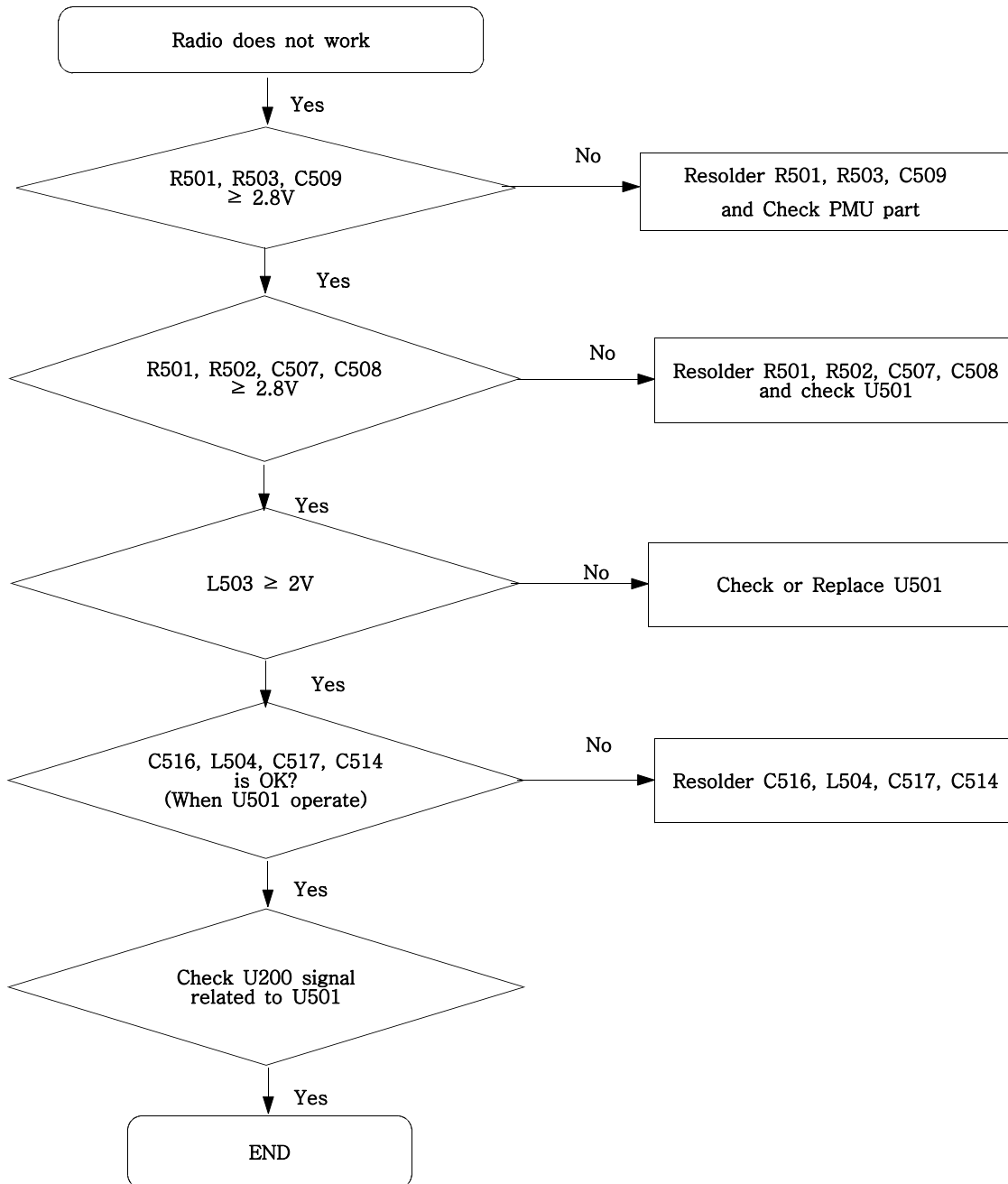


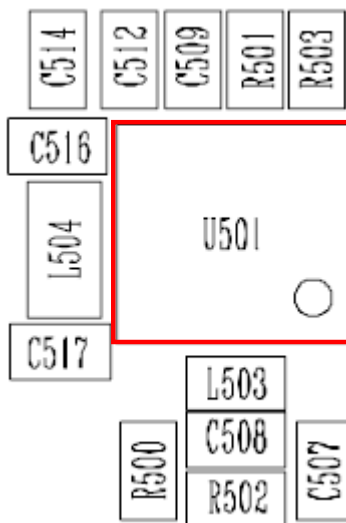
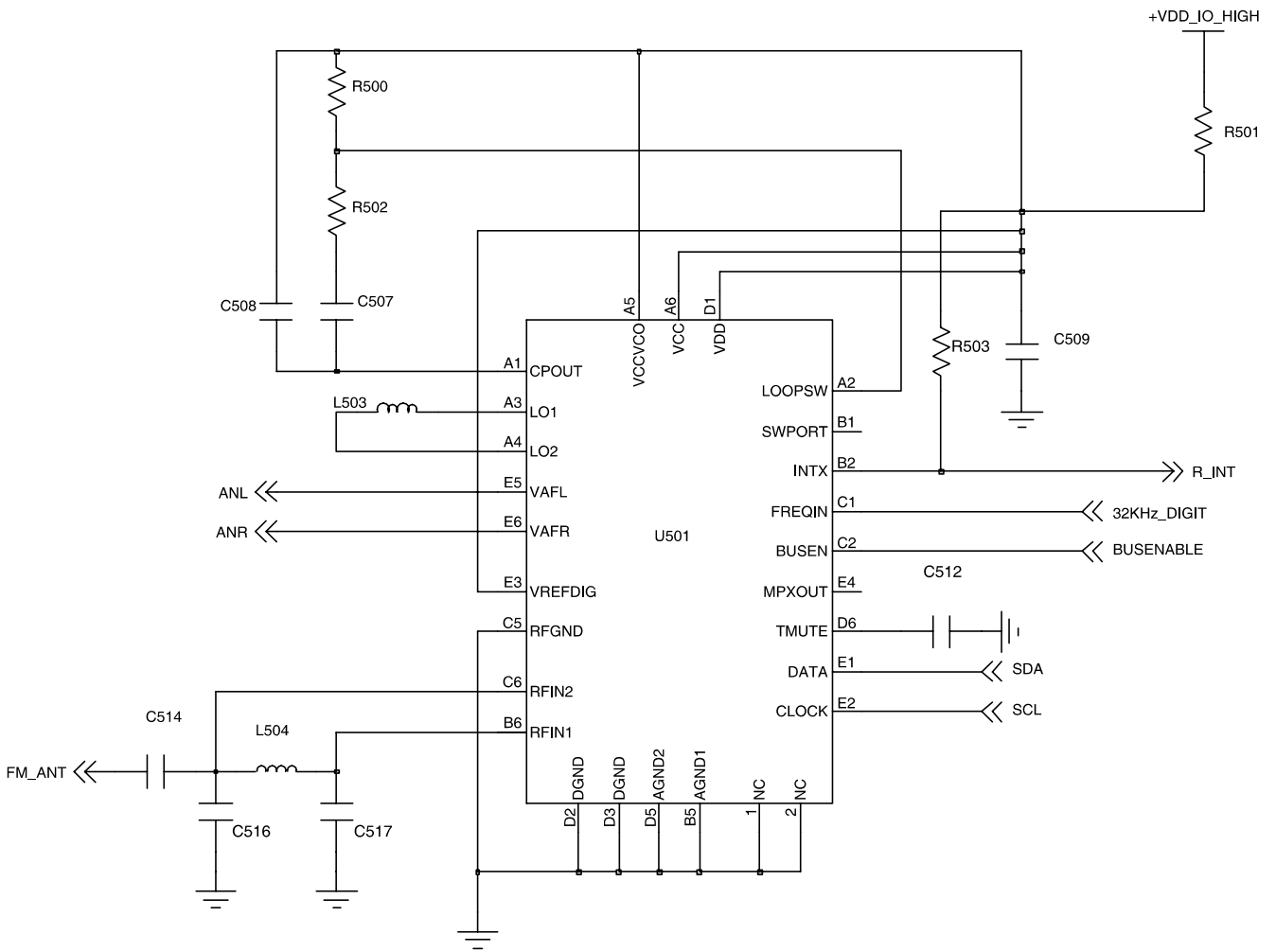
9-11. Camera part



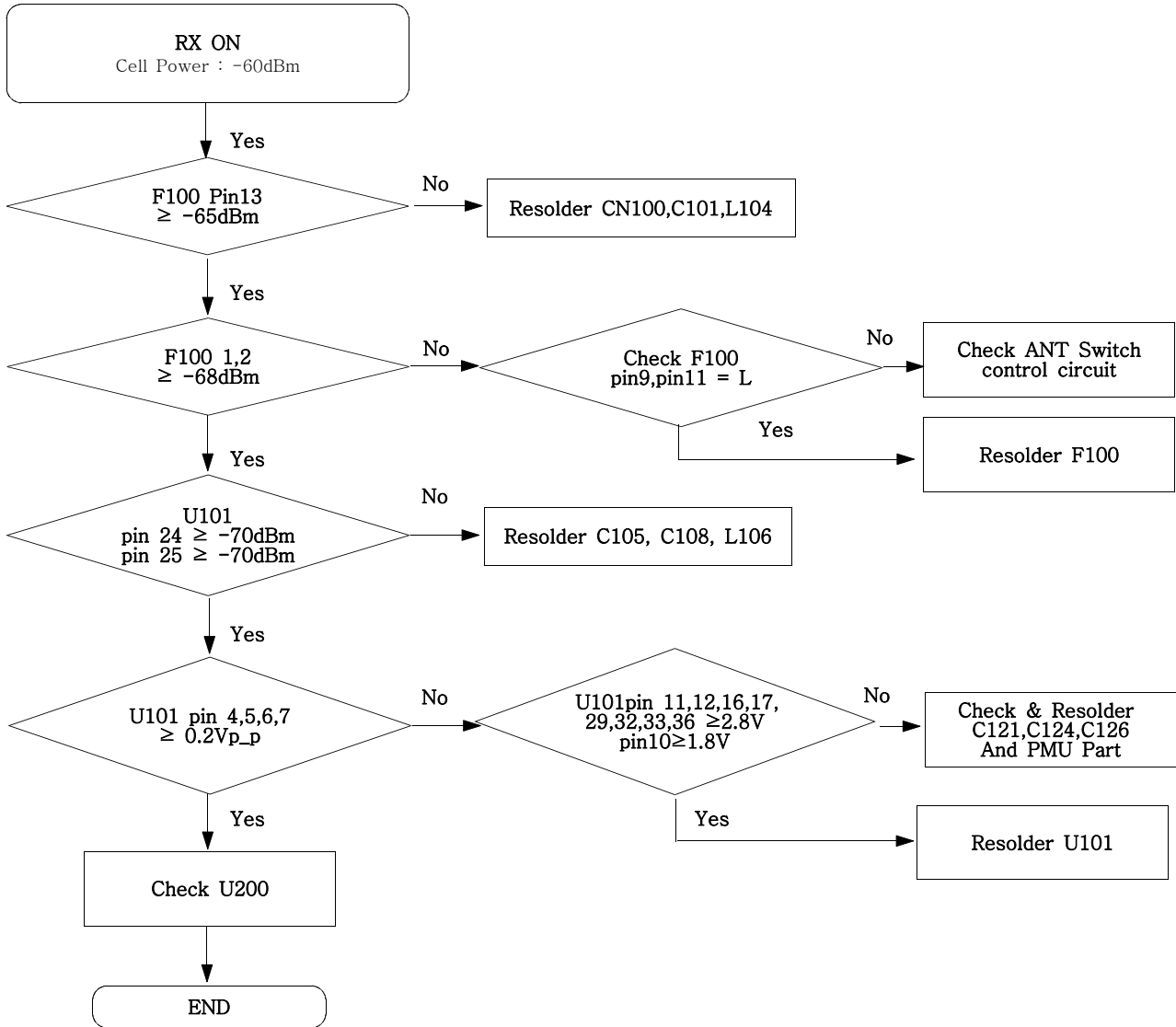


9-12. Radio part

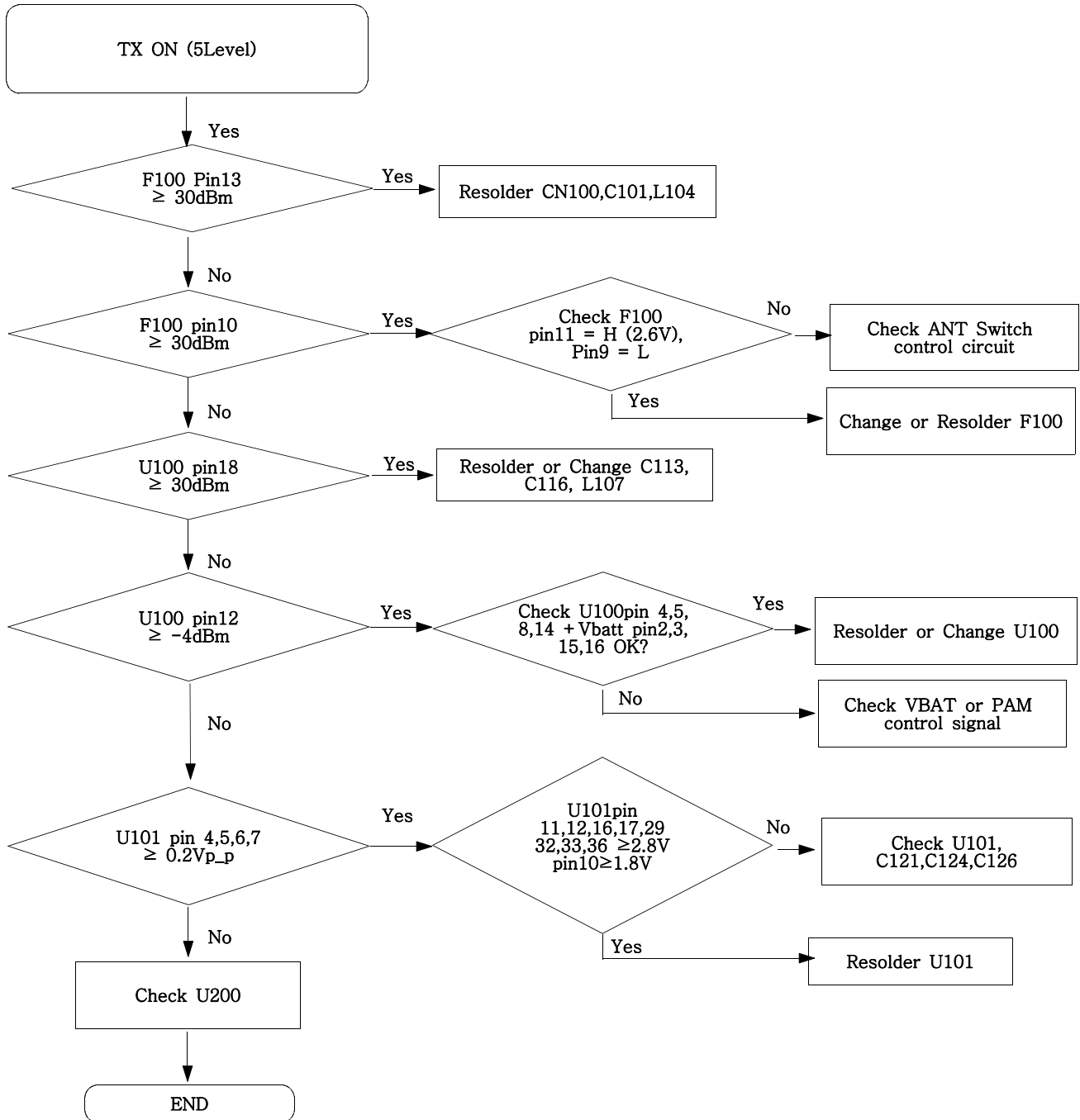




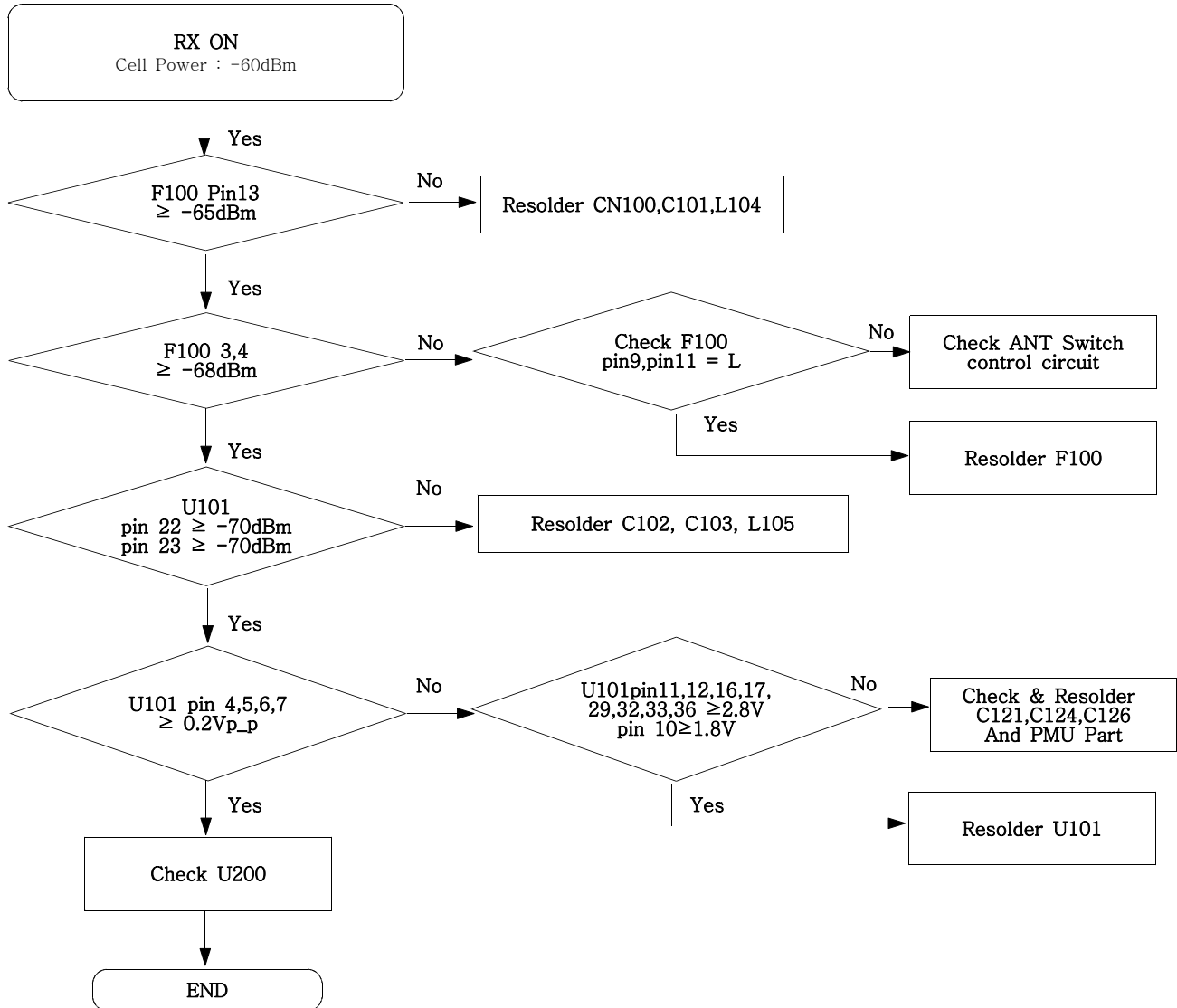
9-13. GSM Receiver



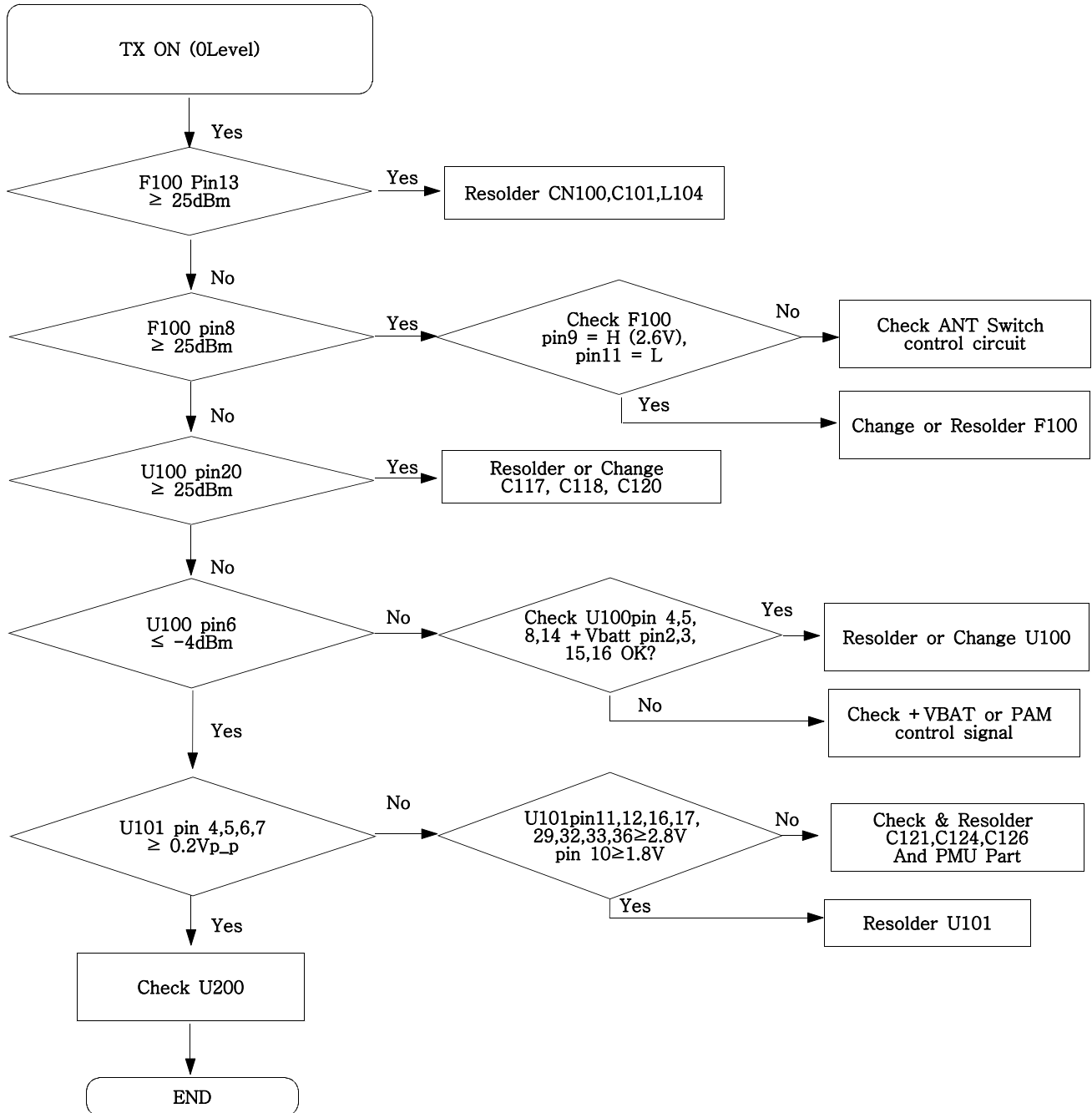
9-14. GSM Transmitter



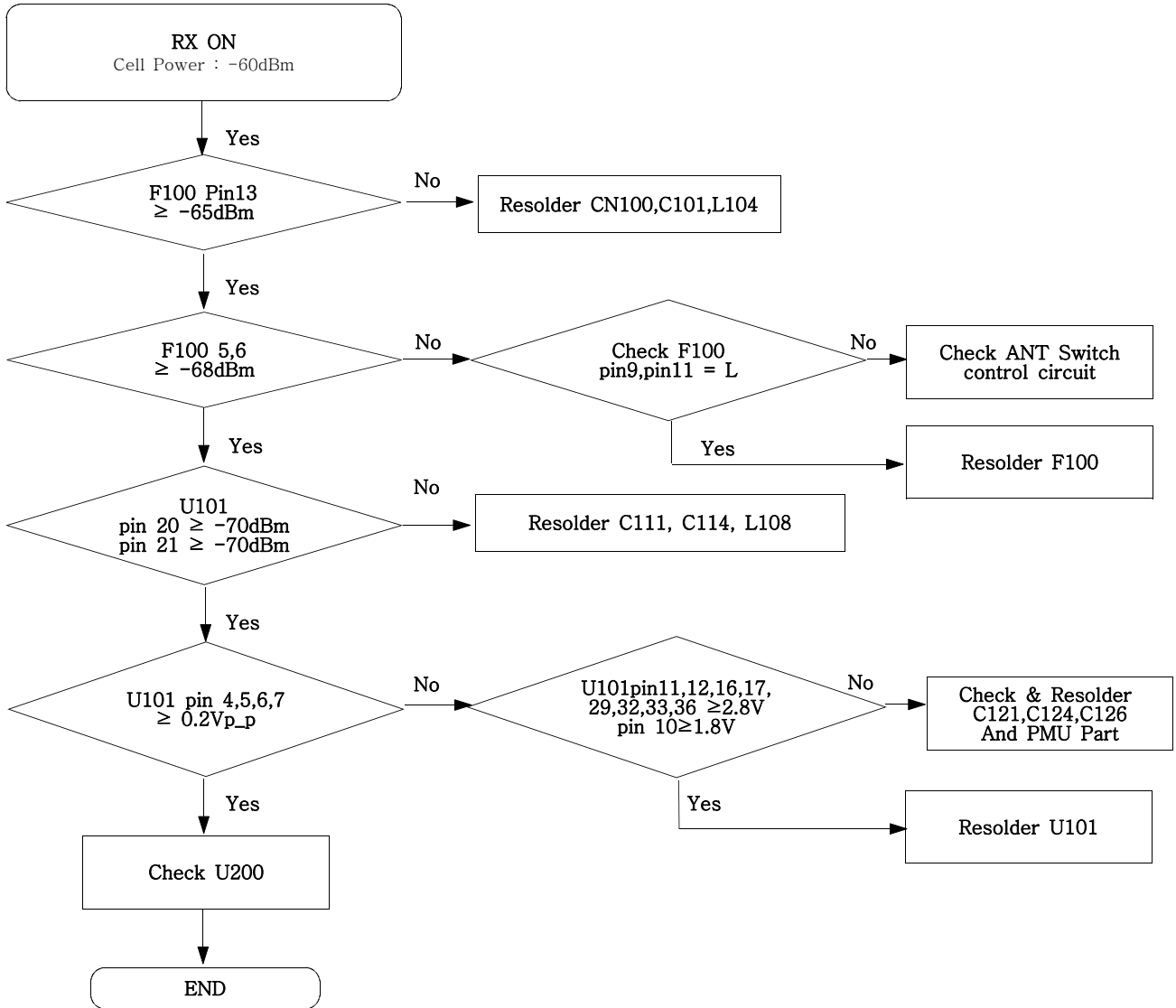
9-15. DCS Receiver



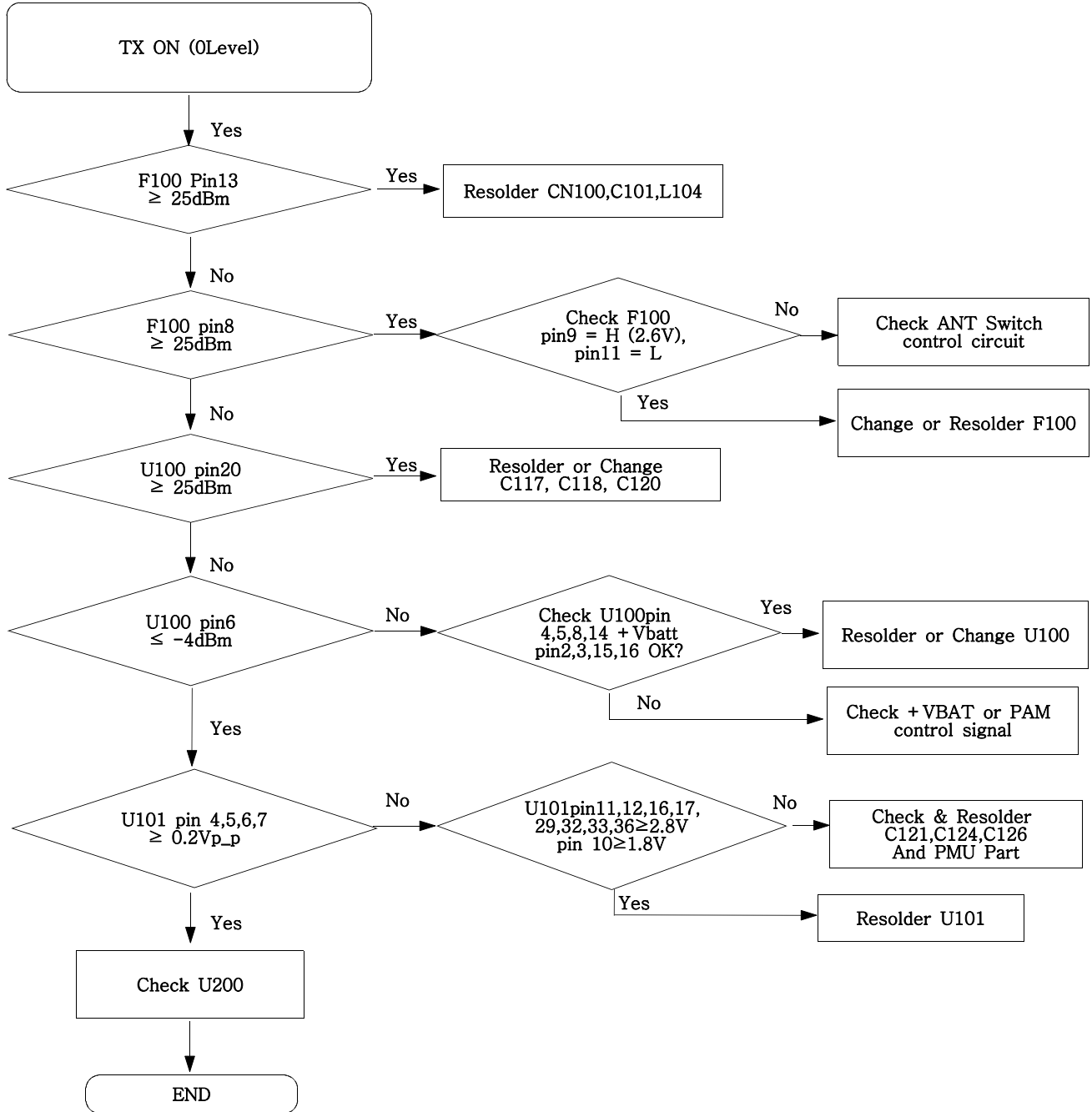
9-16. DCS Transmitter

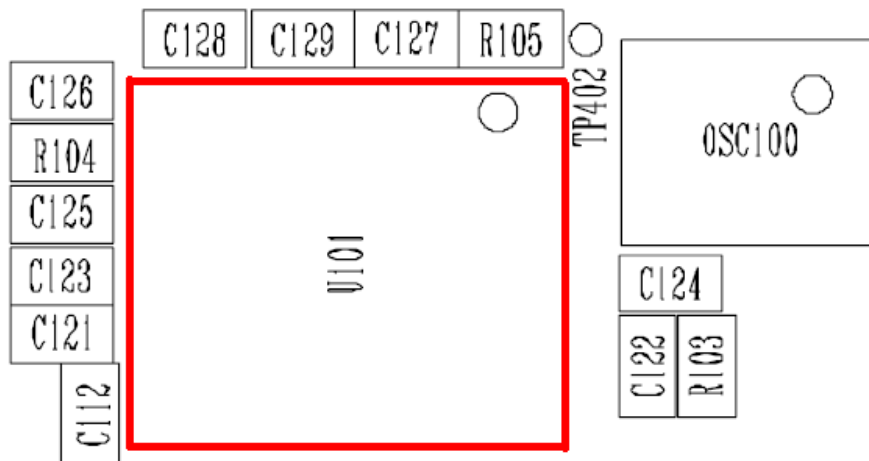
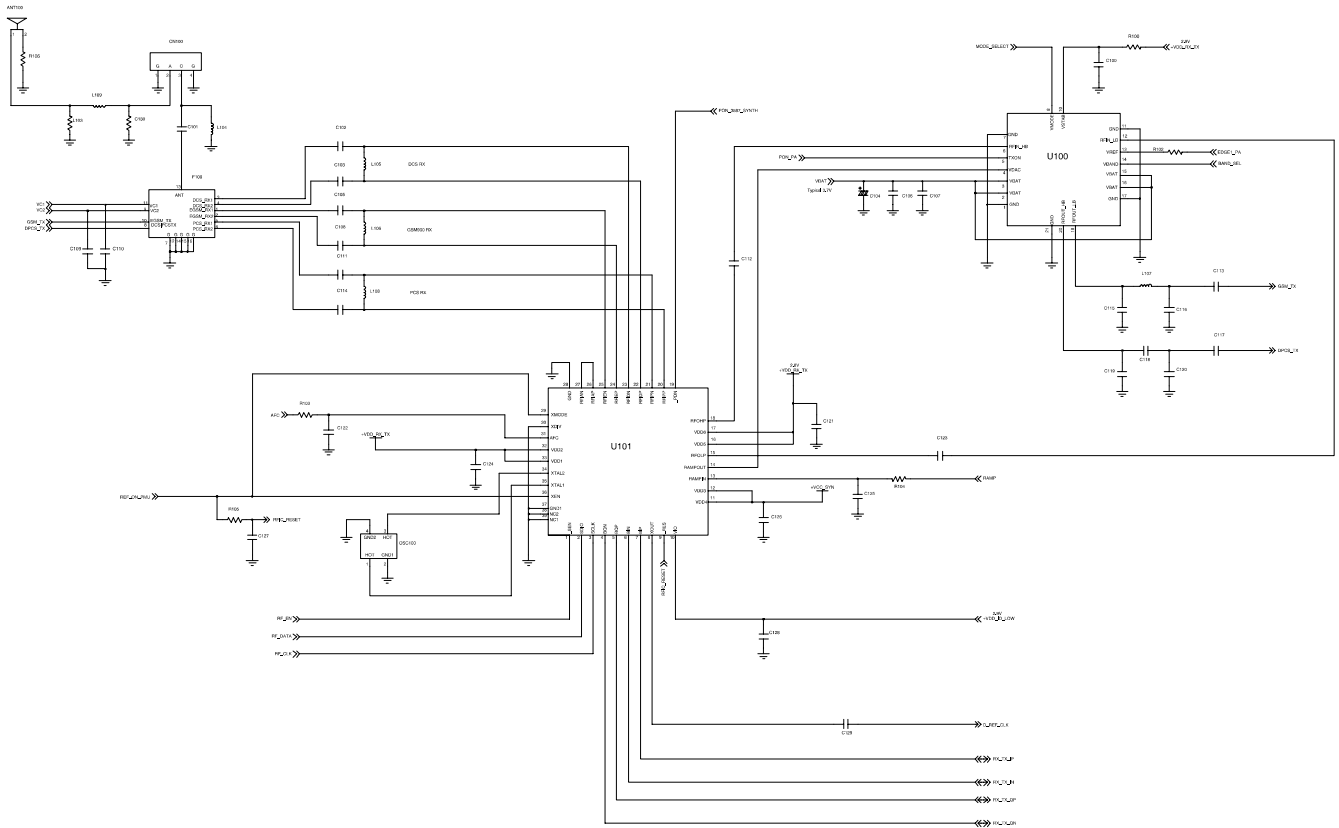


9-17. PCS Receiver



9-18. PCS Transmitter





9-19. Bluetooth part

