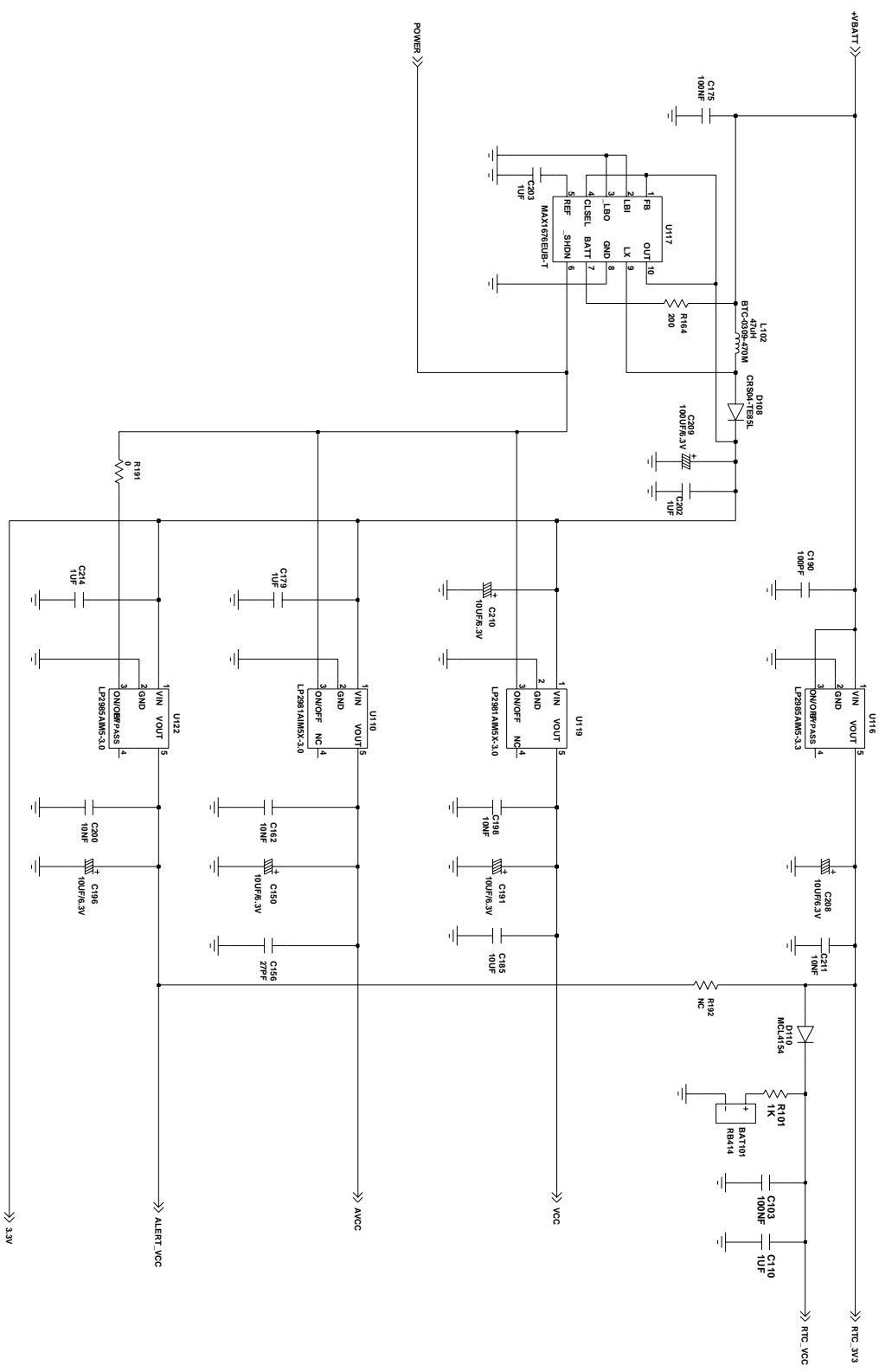
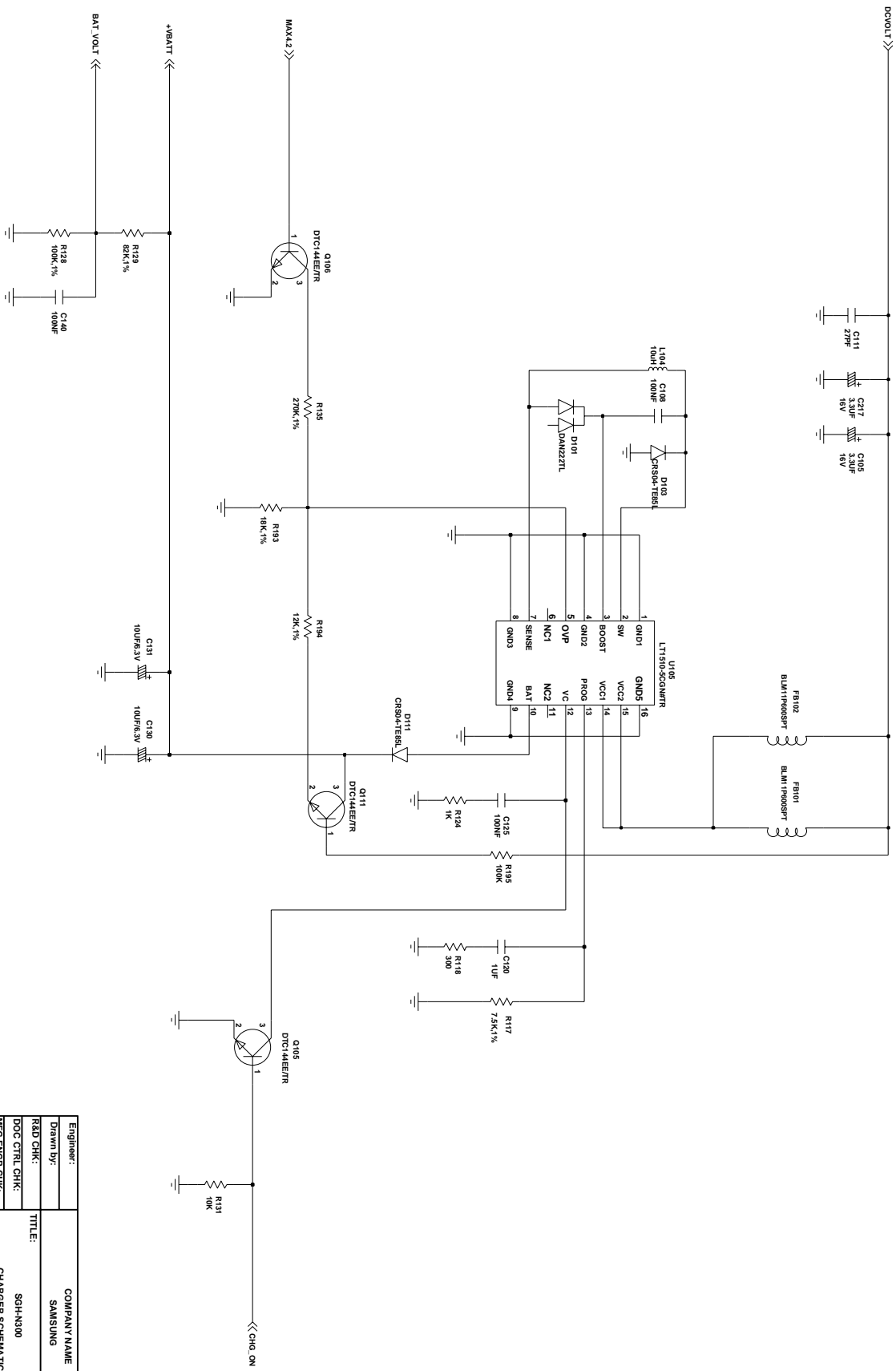


Engineer:		COMPANY NAME	
Drawn By:		SAMSUNG	
RAD CHK:		TITLE:	
DOC CTRL CHK:		SGH-N300	
HWG ENGRG CHK:		POWER MANAGEMENT & SIM INTERFACE	
QA CHK:		REV:	Drawing Number: V1.1
Time Changed:		15	Page: 1/11
Date Changed: May 07, 2011		16	

Changed by: S.C Jung | Date Changed: May 07, 2011 | Time Changed: | Page: 1/11

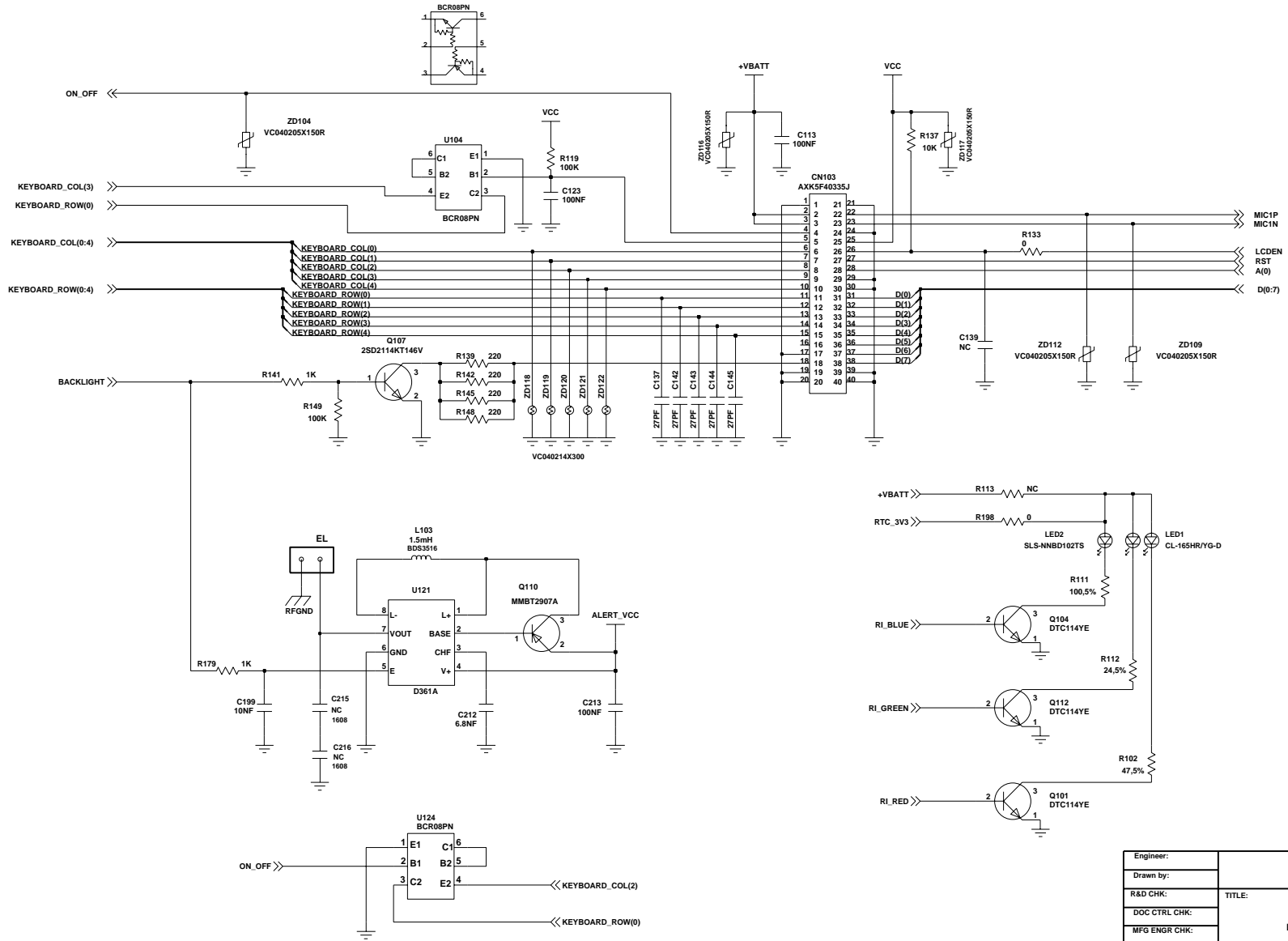


Changed by: S C Jung	Date Changed: May 07, 2011	Time Changed:
QA CHK:	REV:	Drawing Number: V1.1
Engineer:	COMPANY NAME	
Drawn by:	SAMSUNG	
R&D CHK:	TITLE:	SIZE:
DOC CTRL CHK:	SGH-N390	A3
MFG ENGR CHK:	POWER MANAGEMENT SCHEMATIC	
Page:	2/11	

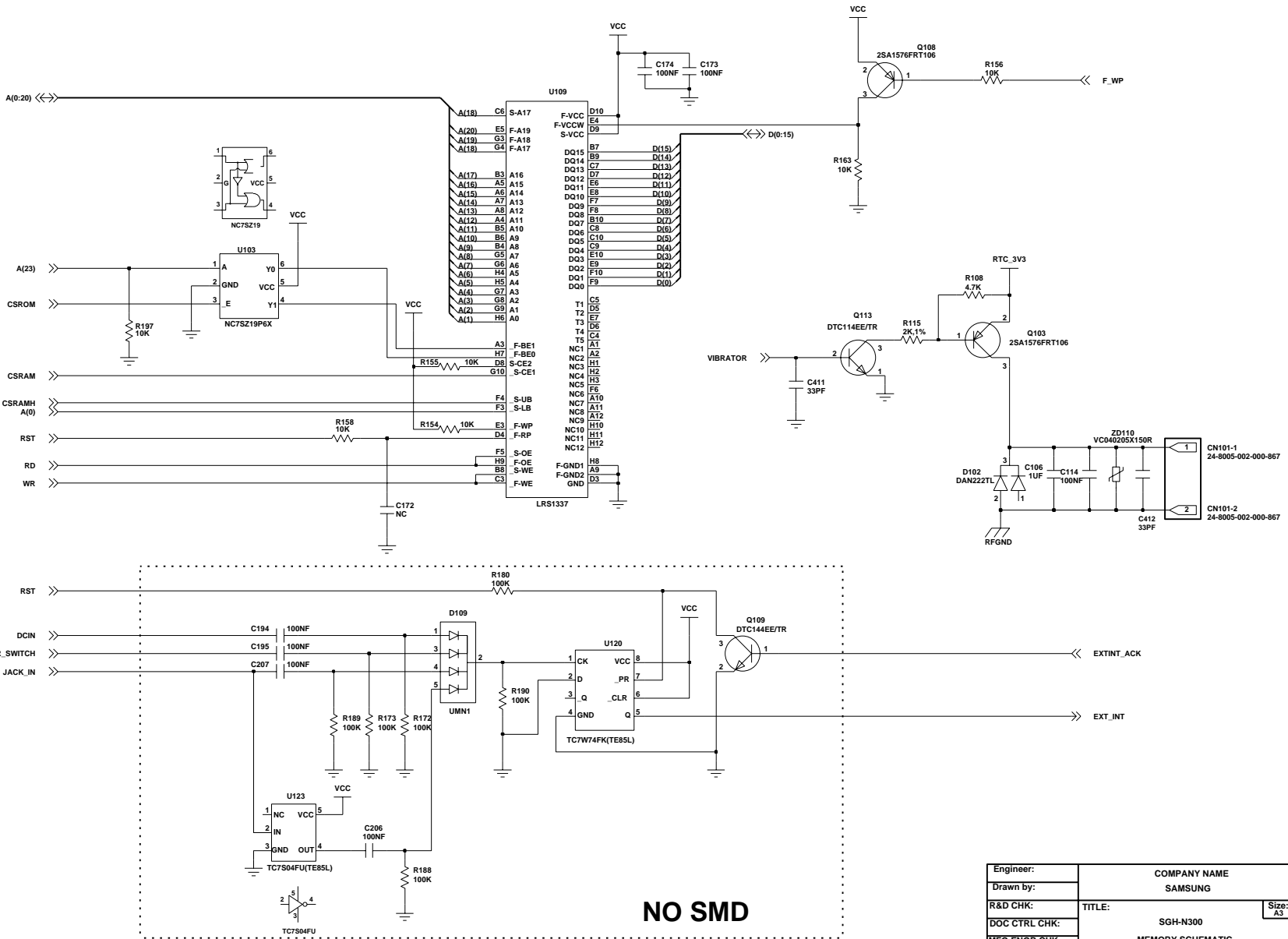


Changed by: S.C. Jung | Date Changed: May 07, 2011 | Time Changed: |

Engineer:	COMPANY NAME
Drawn By:	SAMSUNG
R&D CHK:	
DOC CTRL CHK:	
MFG ENGR CHK:	
QA CHK:	
TITLE:	SGH-N300
	CHARGER SCHEMATIC
SIZE:	A3
REV:	Drawing Number: V1.1
Page:	3/11

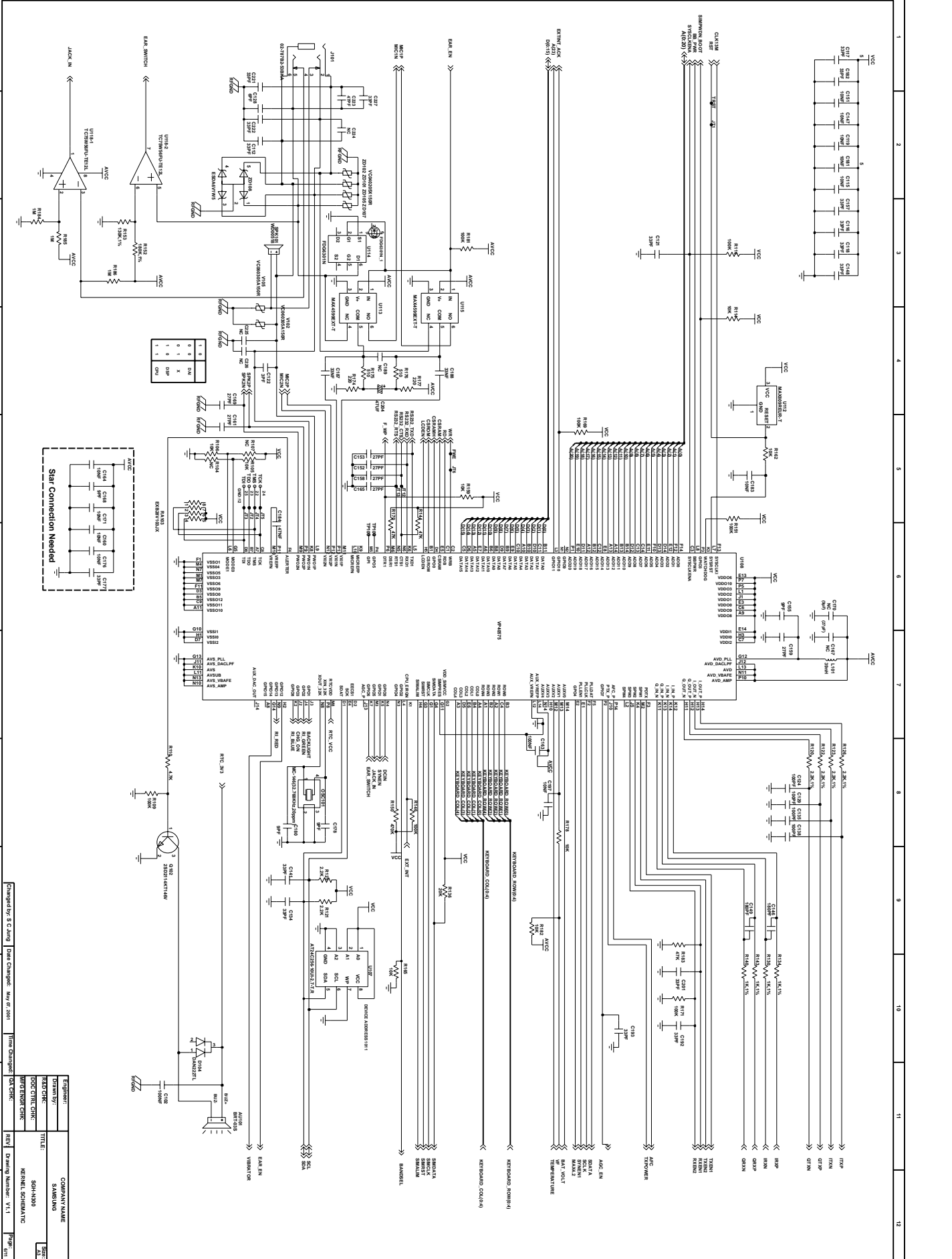


Engineer:	COMPANY NAME		
Drawn by:	SAMSUNG		
R&D CHK:	TITLE:	SGH-N300	
DOC CTRL CHK:	MFG ENGR CHK:		
QA CHK:	REV:	Drawing Number:	V1.1
Changed by:	Date Changed:	Time Changed:	Page: 4/11
	May 07, 2001		

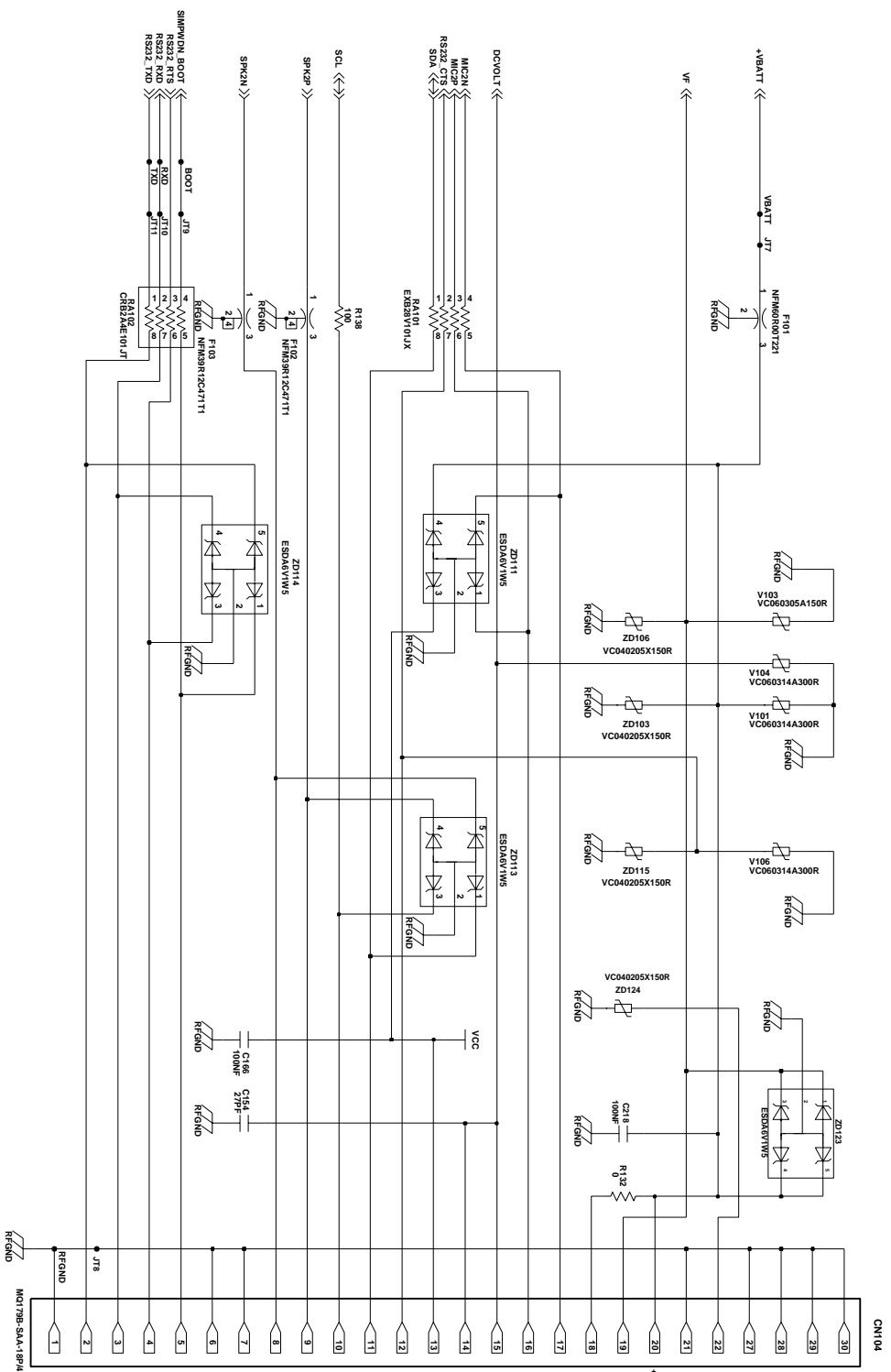


NO SMD

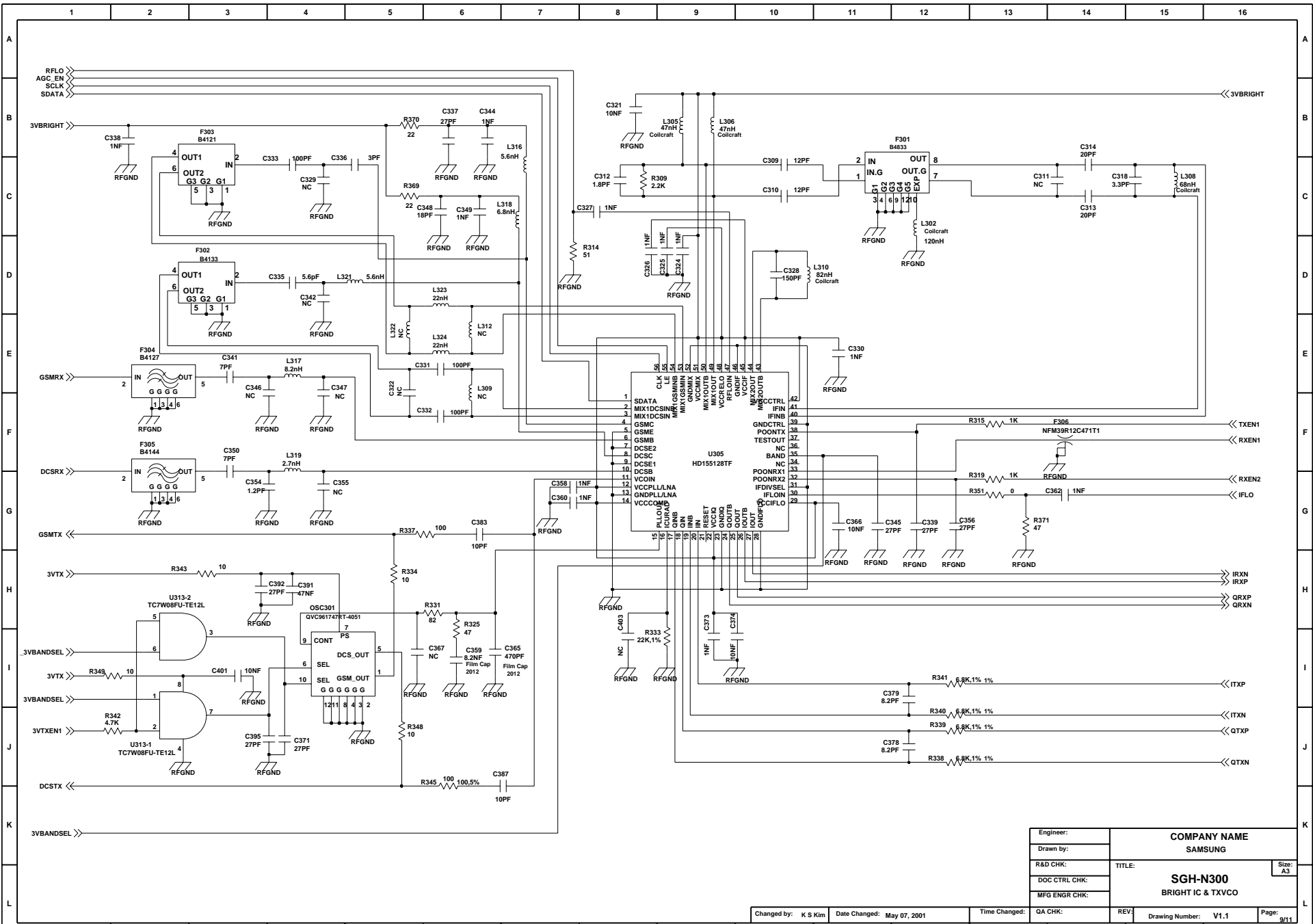
Engineer:	COMPANY NAME		
Drawn by:	SAMSUNG		
R&D CHK:	TITLE:	SGH-N300	Size: A3
DOC CTRL CHK:	MEMORY SCHEMATIC		
MFG ENGR CHK:	QA CHK:	Drawing Number: V1.1	Page: 5/11



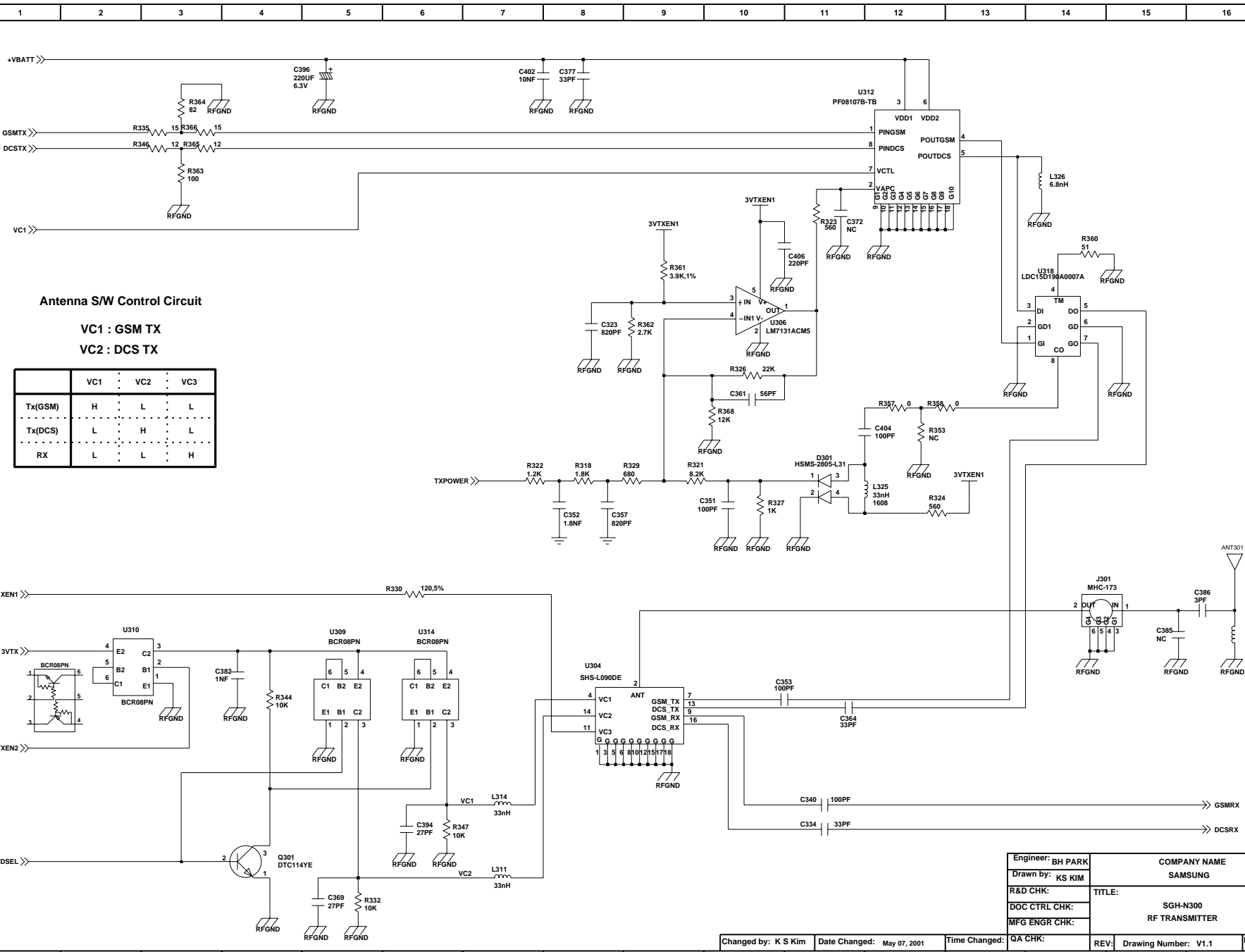
Changed by S C Jung Date Changed: May 9, 2001 Time Changed: 04:28:00
 COMPANY NAME: SHAWBOND
 TITLE: SERIAL MECHANICAL
 REV: 1 Drawing Number: V1.1



Changed by: S C Jung	Date Changed: May 07, 2011	Time Changed:	QA CHK:
Engineer:	COMPANY NAME	SAMSUNG	
Drawn by:	TITLE: SGH-N300		
R&D CHK:	INTERFACE CONNECTOR SCHEMATIC		
DOC CTRL CHK:	SIZE:	REV: Drawing Number: V1.1	
MFG ENGR CHK:	DATE:	Page: 2/11	



Engineer:	COMPANY NAME	
Drawn by:	SAMSUNG	
R&D CHK:	TITLE:	Size: A3
DOC CTRL CHK:	SGH-N300	
MFG ENGR CHK:	BRIGHT IC & TXVC	
Changed by: K S Kim	Date Changed: May 07, 2001	Time Changed:
QA CHK:	REV:	Drawing Number: V1.1
		Page: 9/11

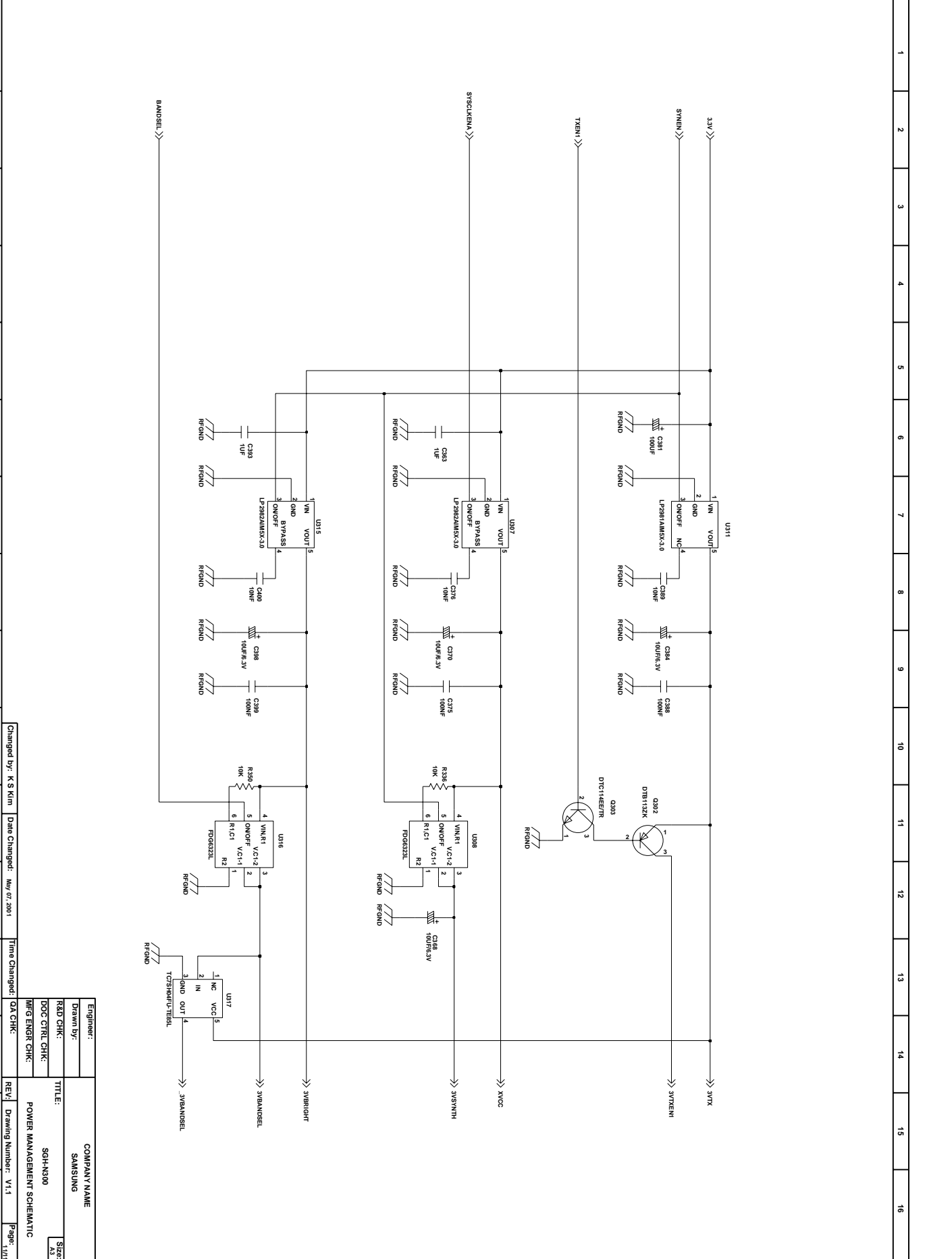


Antenna S/W Control Circuit

VC1 : GSM TX
VC2 : DCS TX

	VC1	VC2	VC3
Tx(GSM)	H	L	L
Tx(DCS)	L	H	L
RX	L	L	H

Engineer: BH PARK	COMPANY NAME	
Drawn by: KS KIM	SAMSUNG	
R&D CHK:	TITLE:	Size: A3
DOC CTRL CHK:	SGH-N300	
MFG ENGR CHK:	RF TRANSMITTER	
QA CHK:	REV:	
Changed by: K S Kim	Drawing Number: V1.1	Page: 10/11



Changed by: K S Kim	Date Changed: May 07 2001	Time Changed:
QA CHK:	REV:	Drawing Number: V1.1
Engineer:	COMPANY NAME	
Drawn By:	SAMSUNG	
R&D CHK:	TITLE:	SIZE:
DOC CTRL CHK:	POWER MANAGEMENT SCHEMATIC	LS
MFG ENGR CHK:		
REV:	Page:	1/1