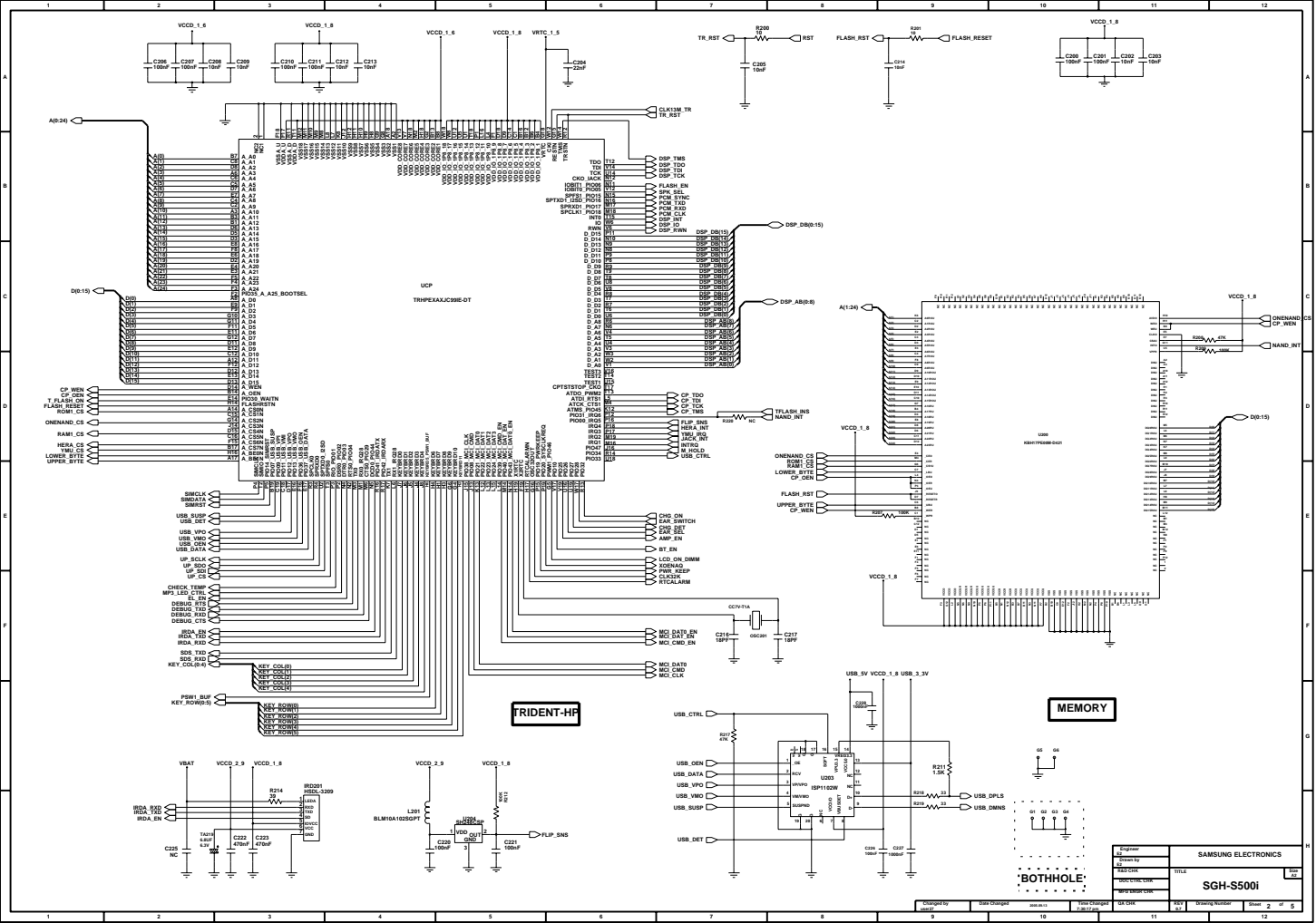


DESIGNED BY	SAMSUNG ELECTRONICS
FILED NAME	TITLE
CHECKED BY	DATE
APPROVED BY	SGH-5000

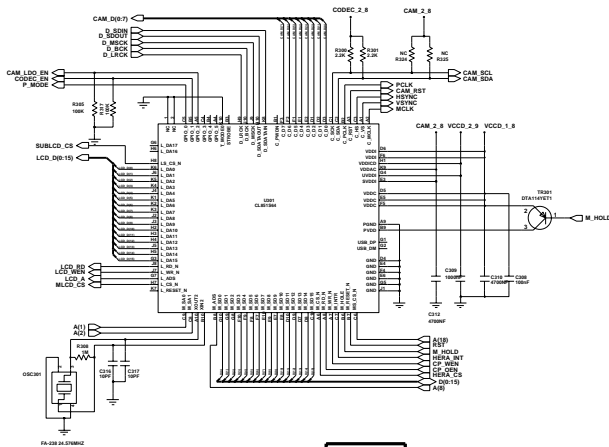


TRIDENT-HF

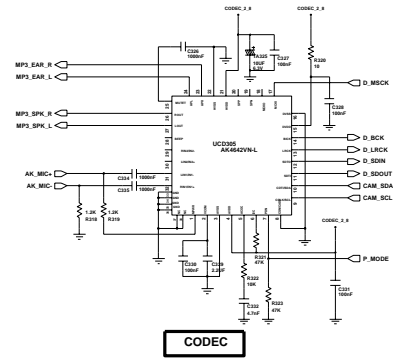
MEMORY

SAMSUNG ELECTRONICS	
Engineer	_____
Drawn by	_____
Rev. No.	_____
Component No.	_____
Part No.	_____
Part Name	SGH-S500I
DR DATE	_____
REV	_____
Drawing Number	Sheet 2 of 5

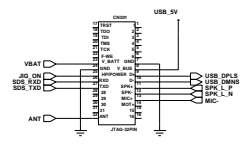
BOTH HOLE



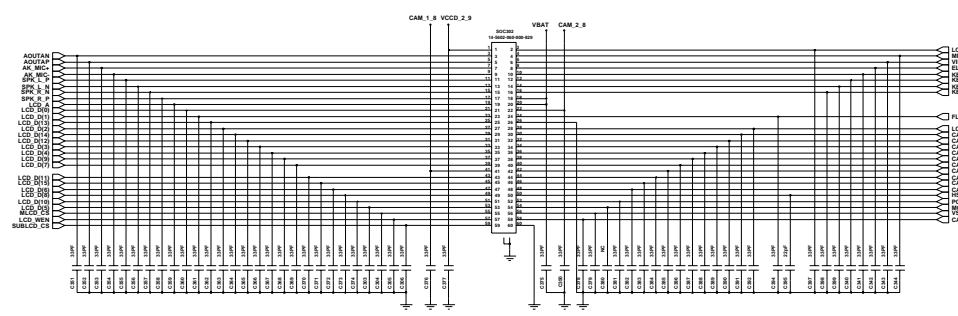
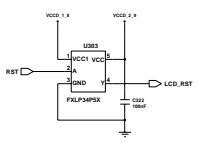
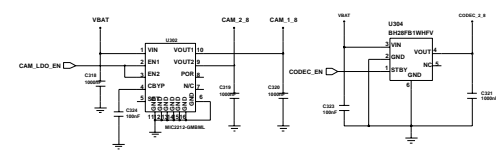
MPEG CODEC



CODEC

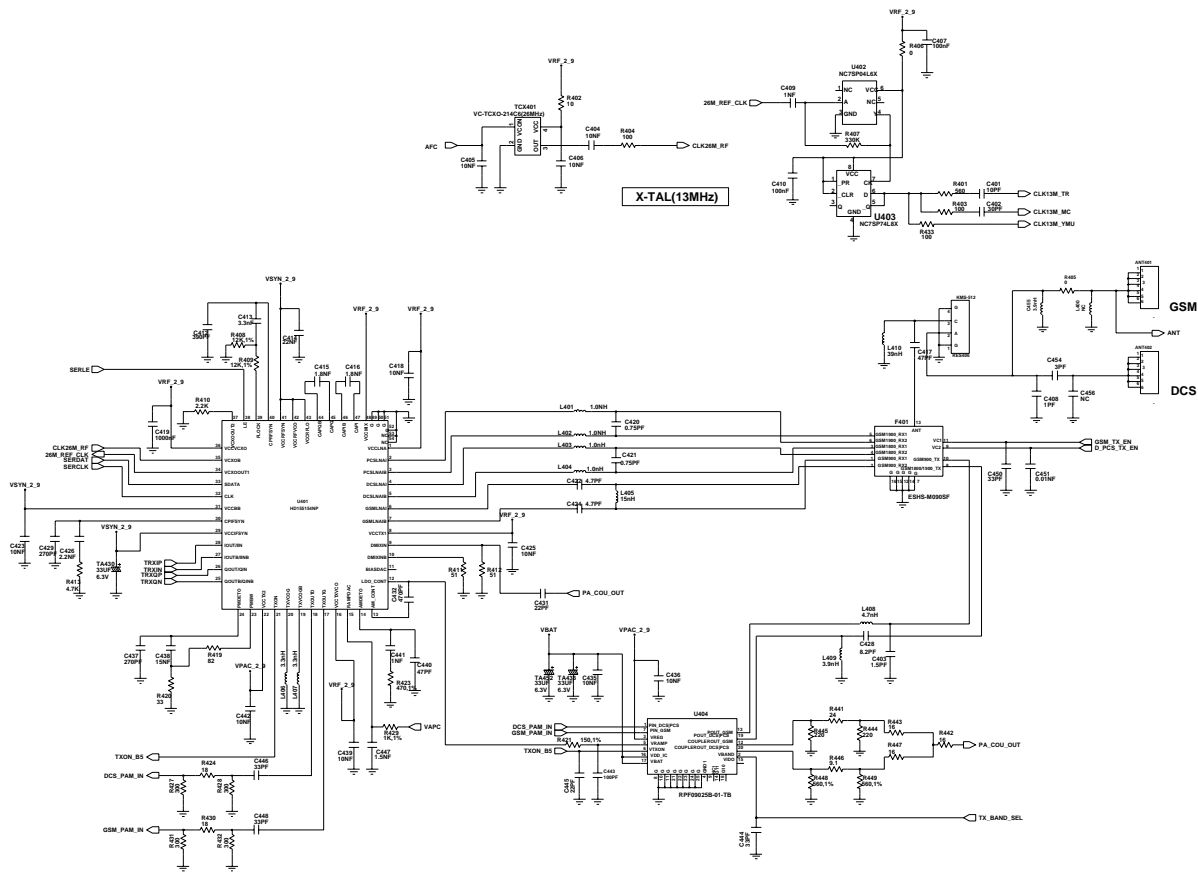


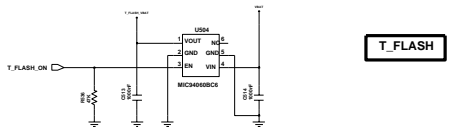
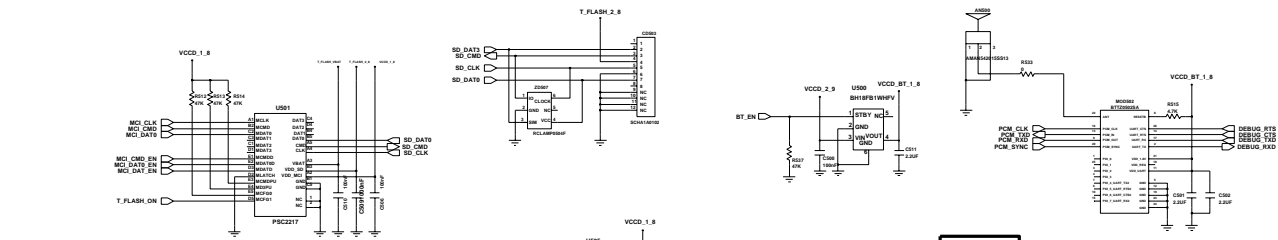
JTAG



54PIN CONNECTOR

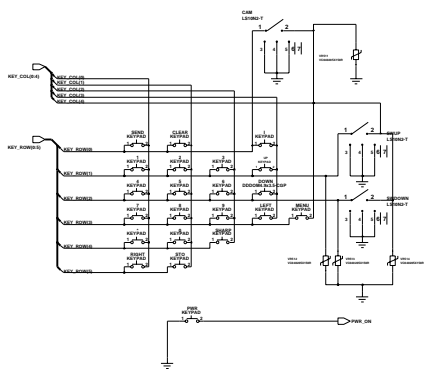
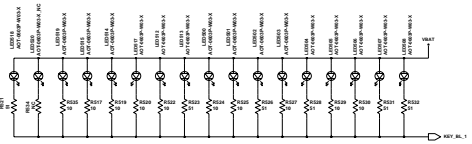
Engineer	SAMSUNG ELECTRONICS
Checked by	
Rev. No.	
DESCRIPTION	SGH-S500I
DATE OF ISSUE	
DESIGNED BY	
DATE OF DESIGN	
DATE OF REV.	
DATE OF CHECKING	
DATE OF APPROVAL	



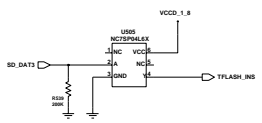


T_FLASH

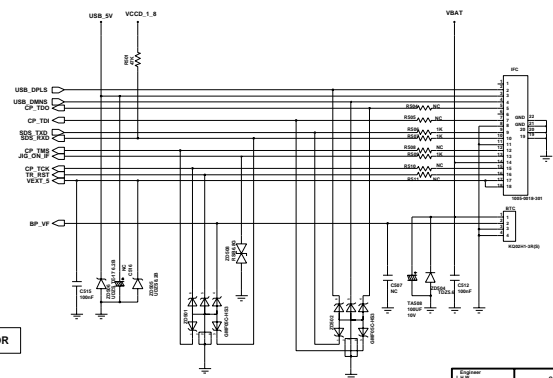
BLUE TOOTH



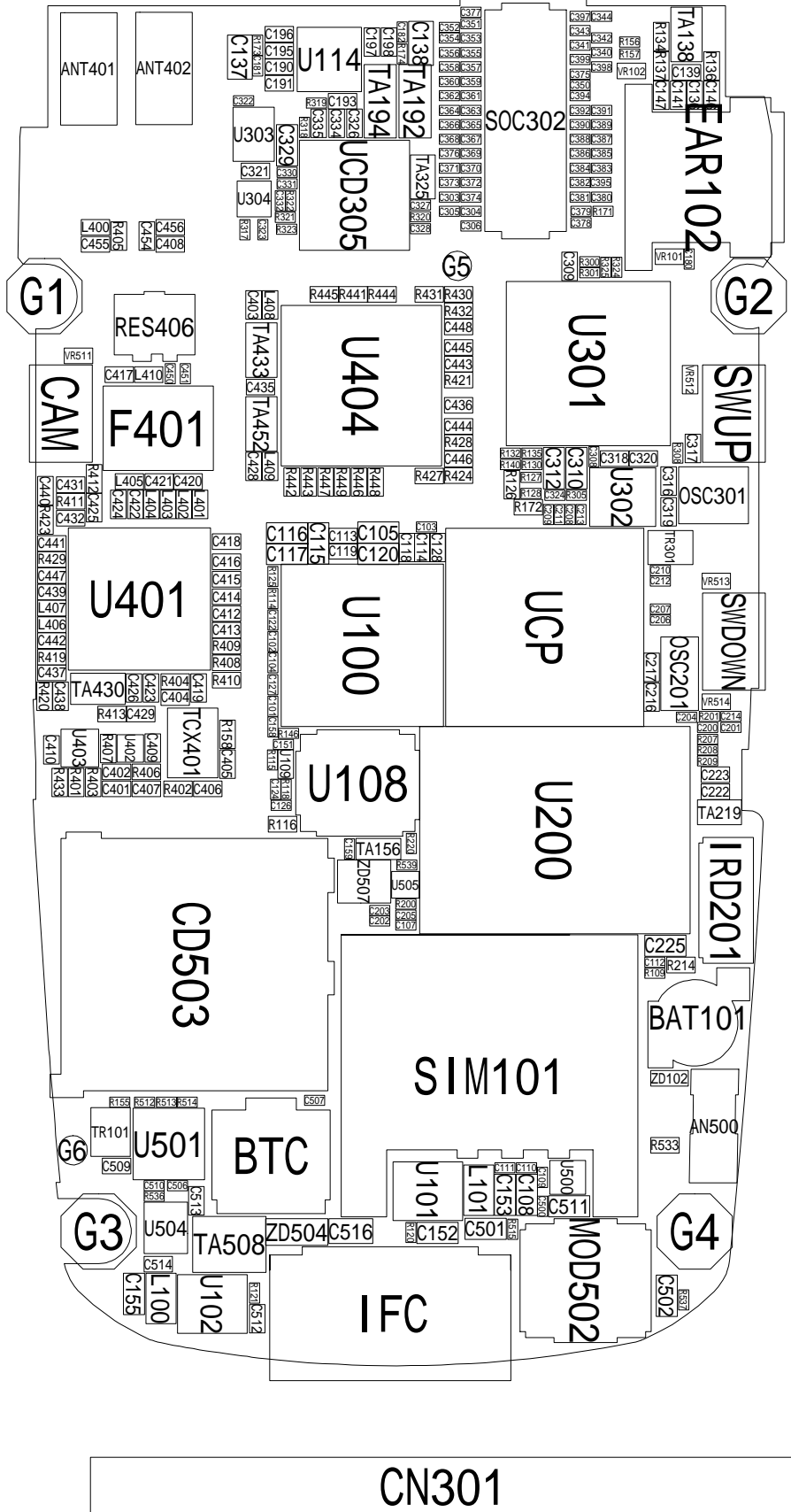
KEYPAD



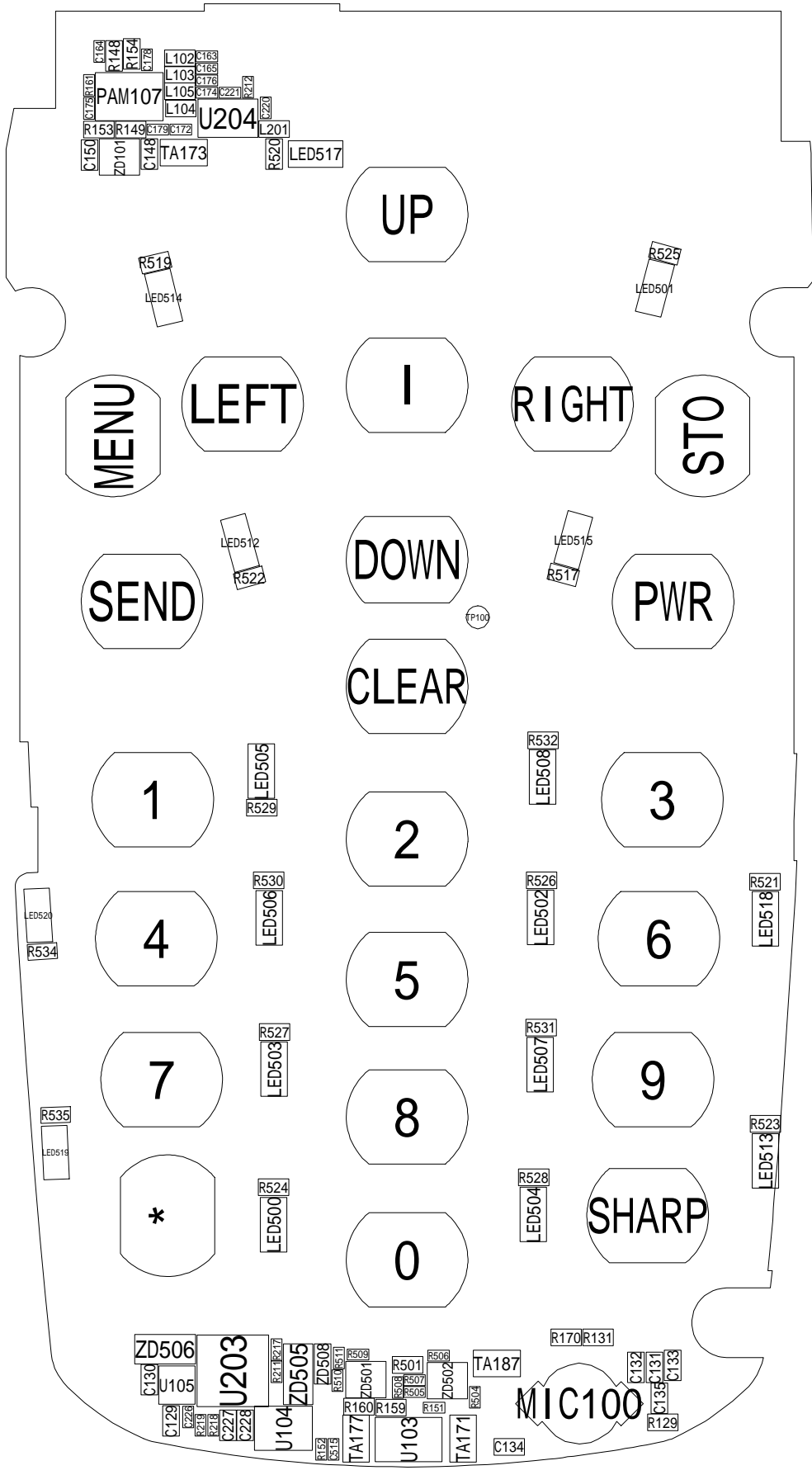
I/F CONNECTOR



Engineer	SAMSUNG ELECTRONICS	
Checked by	TITLE	
Rev. No.	DATE	
DESCRIPTION	REV. 5 of 5	
APPROVED BY	SGH-ICP3	



CN301



C150
 ZD101
 C148
 R153
 R149
 C179
 C172
 PAM107
 R148
 R154
 C178
 L102
 C163
 L103
 C165
 L105
 C174
 C221
 R172
 U204
 R220
 L201
 R520
 LED517
 TA173

UP
 MENU
 LEFT
 I
 RIGHT
 STO
 SEND
 DOWN
 PWR
 CLEAR
 1
 2
 3
 4
 5
 6
 7
 8
 9
 *
 0
 SHARP

ZD506
 C130
 U105
 U203
 R218
 R217
 ZD505
 ZD506
 R510
 R511
 R512
 R513
 R514
 R515
 R516
 R517
 R518
 R519
 R520
 R521
 R522
 R523
 R524
 R525
 R526
 R527
 R528
 R529
 R530
 R531
 R532
 R533
 R534
 R535
 U104
 U103
 TA177
 TA171
 TA187
 MIC100
 C132
 C131
 C133
 C134
 C129
 R170
 R131