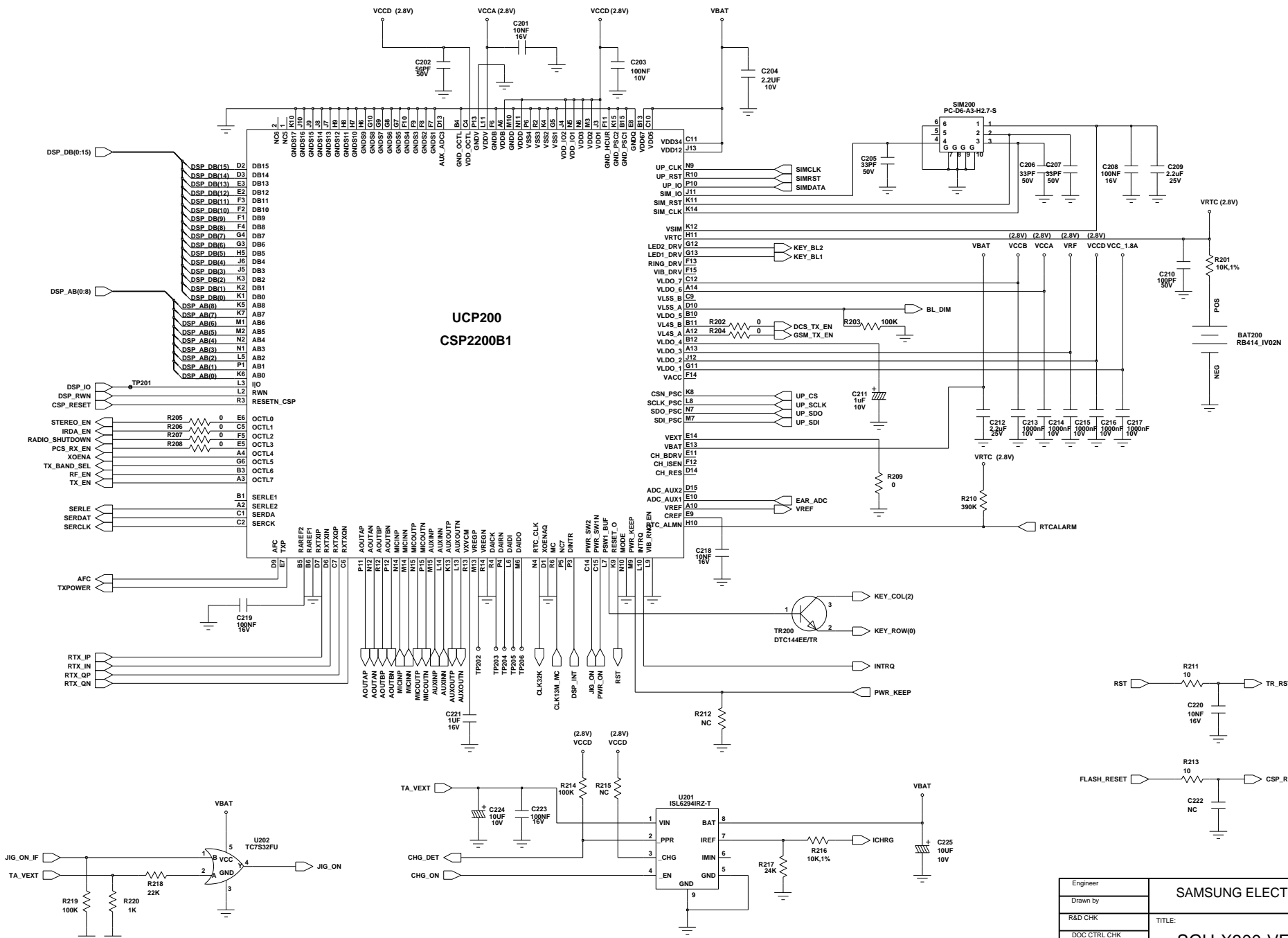


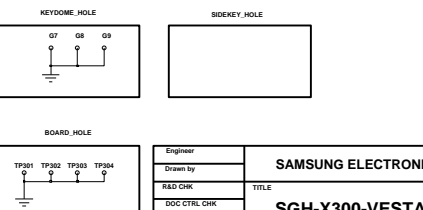
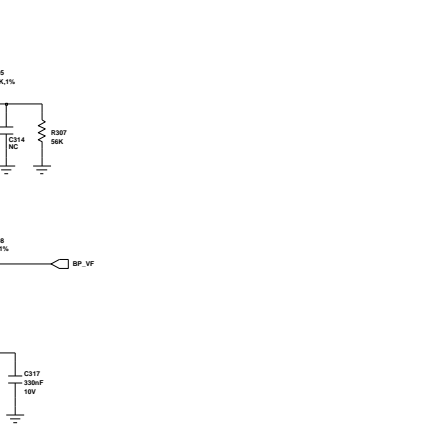
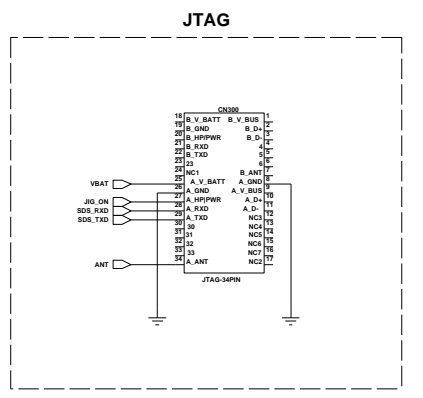
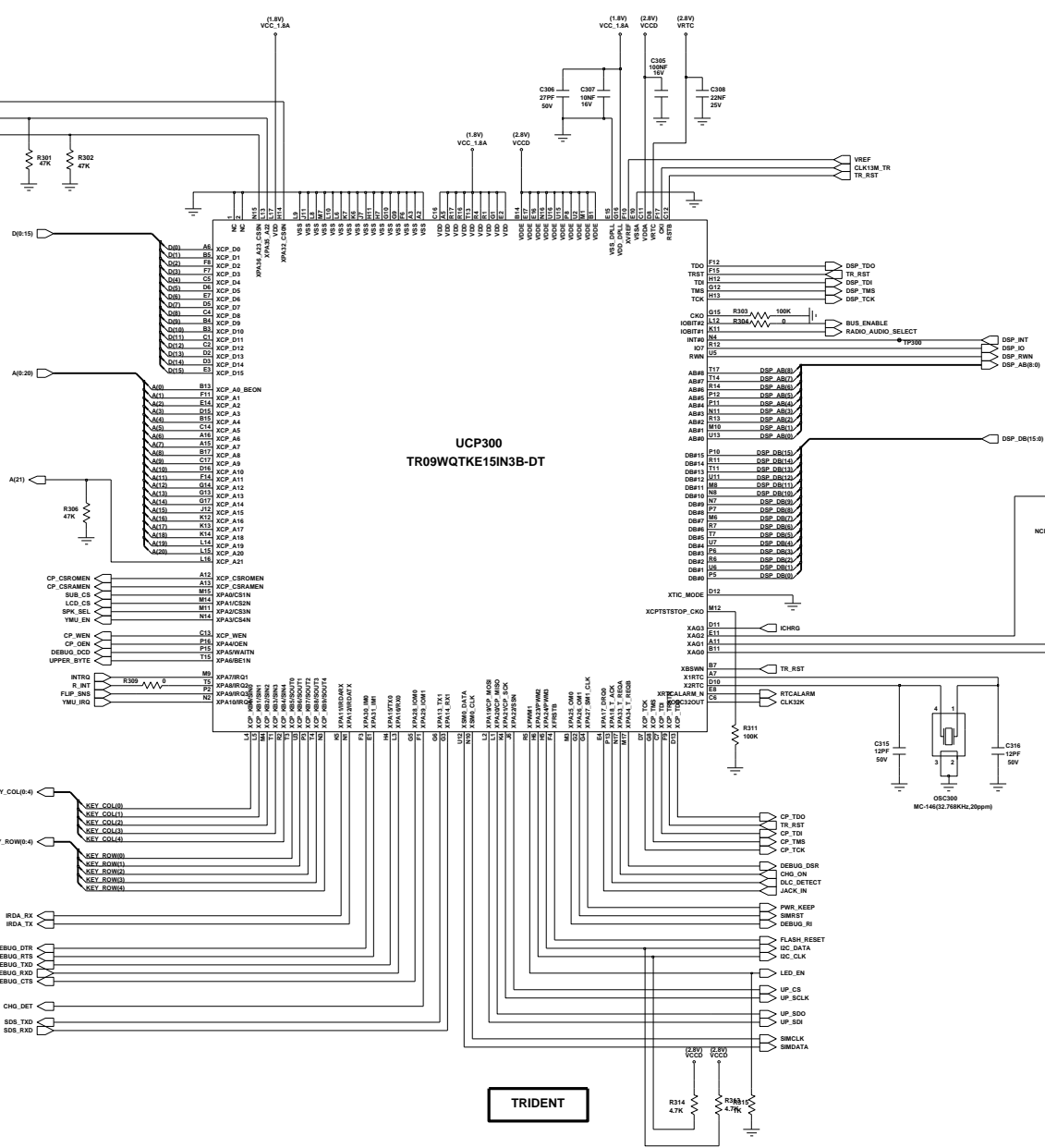
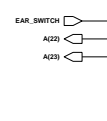
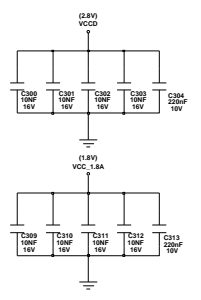
	VC1	VC2	VC3
EGSM TX	H	L	L
DCS/PCS TX	L	H	L
PCS_RX	L	L	H

Engineer	SAMSUNG ELECTRONICS		Size A3	
Drawn by				
R&D CHK				TITLE:
DOC CTRL CHK				SGH-X300-VESTA
MFG ENGR CHK				

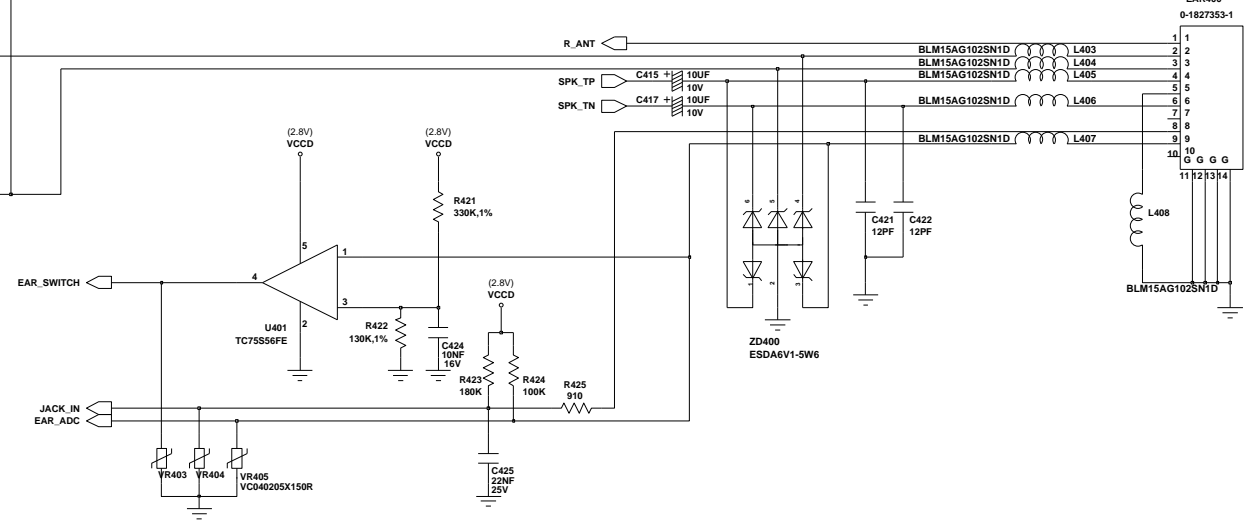
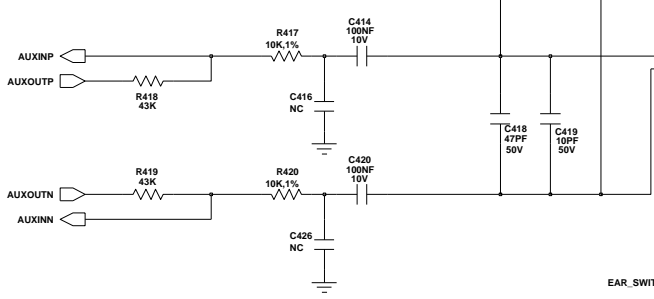
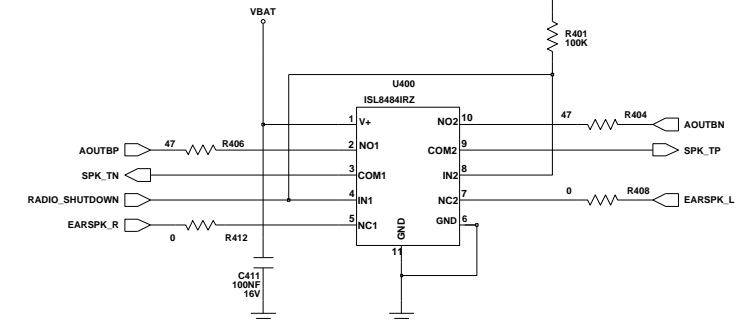
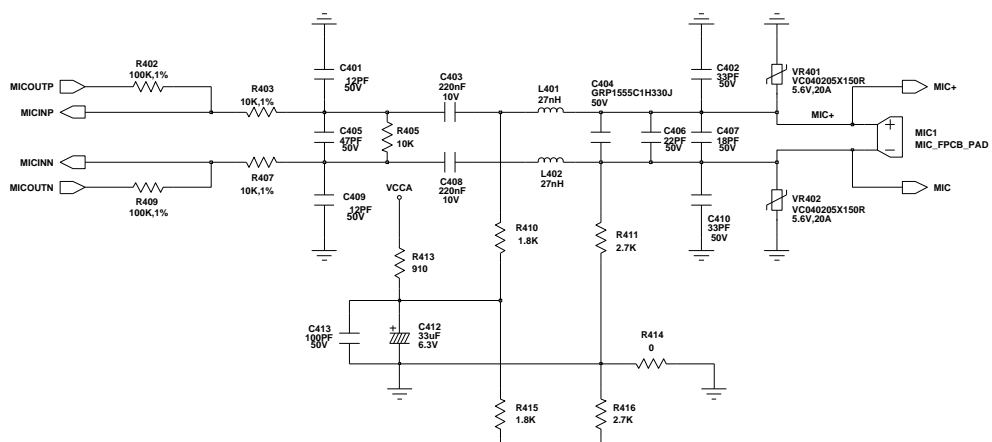


**UCP200
CSP2200B1**

Engineer	SAMSUNG ELECTRONICS	
Drawn by		
R&D CHK	TITLE:	Size A3
DOC CTRL CHK	SGH-X300-VESTA	
MFG ENGR CHK		

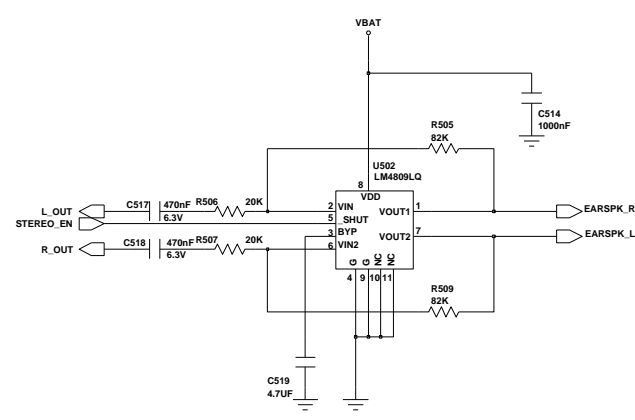
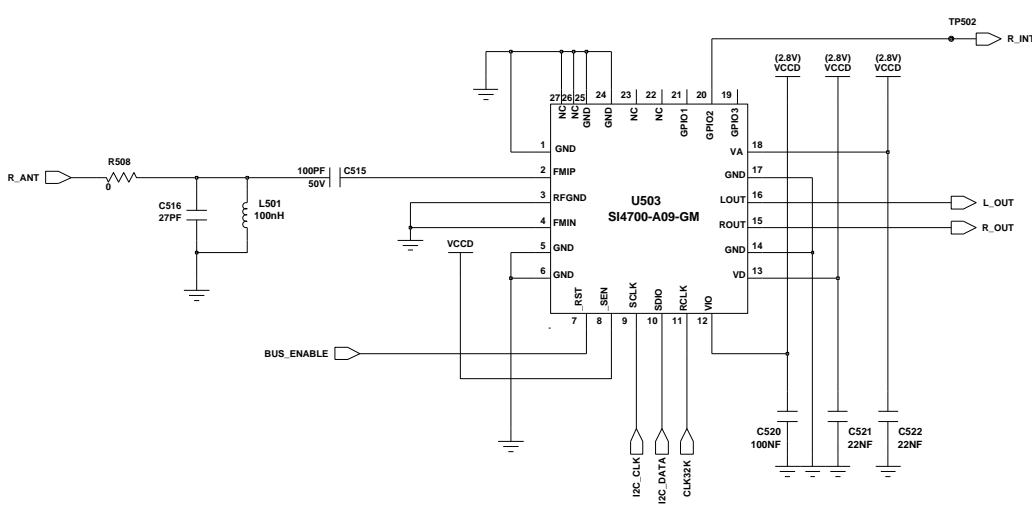
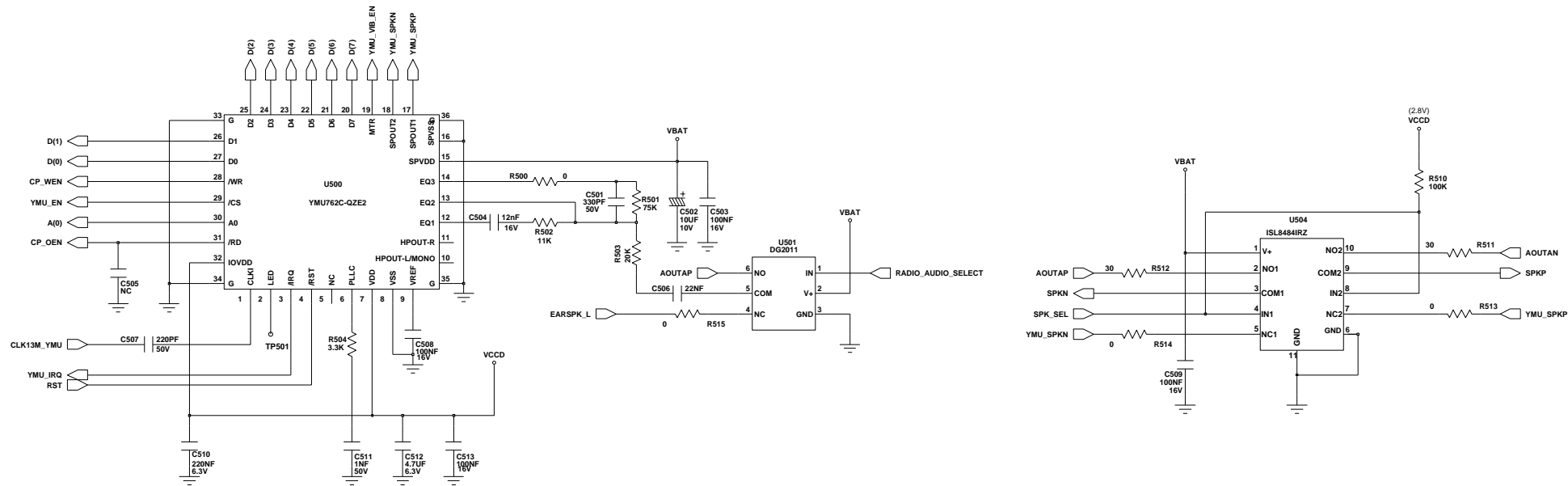


Engineer		SAMSUNG ELECTRONICS	Sheet 3 of 8
Drawn by			
RAO CHK			
DDC CTRL CHK			
MPG ENGR CHK		TITLE	REV
		SGH-X300-VESTA	A3



AUDIO

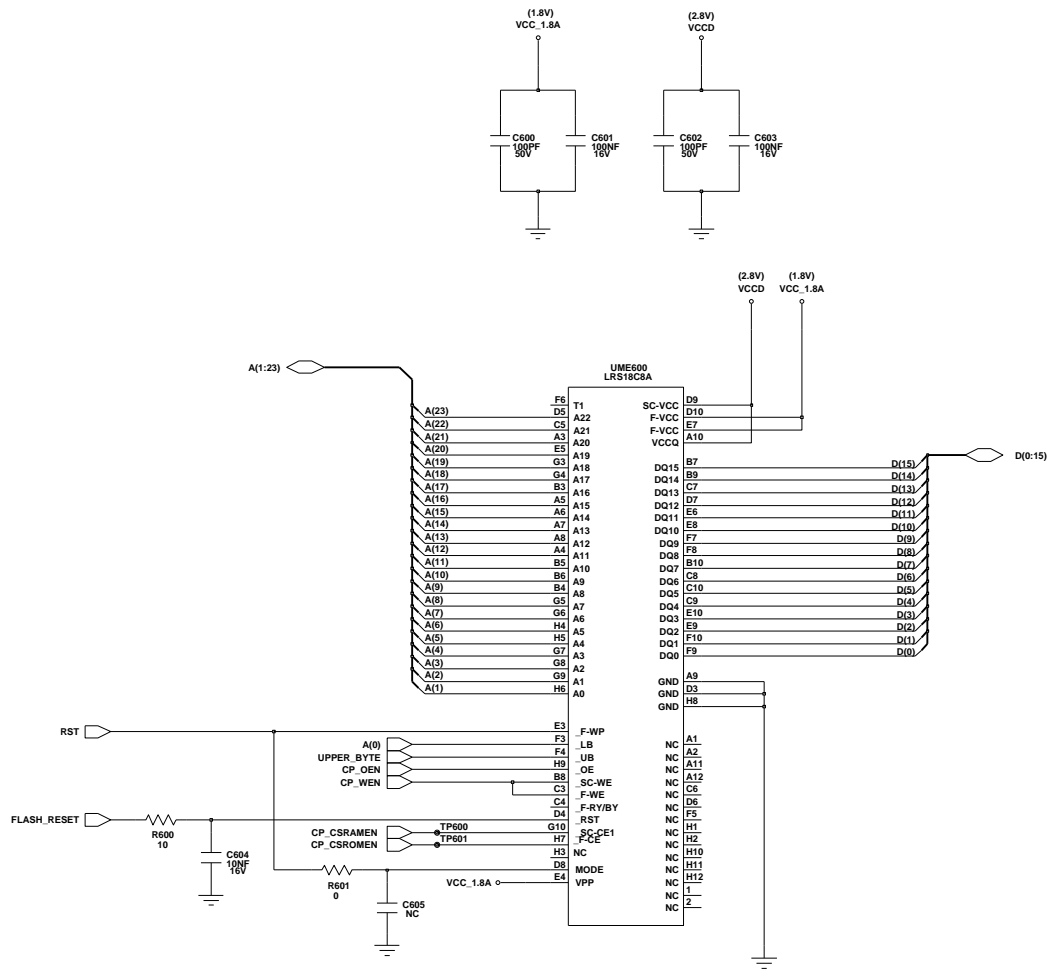
Engineer	SAMSUNG ELECTRONICS	
Drawn by		
R&D CHK	TITLE:	Size A3
DOC CTRL CHK	SGH-X300-VESTA	
MFG ENGR CHK		
Changed by user8	Date Changed 2005.12.22	Time Changed 3:10:51 pm
QA CHK	REV 1.3	Drawing Number
		Sheet 4 of 8



RADIO

FM RADIO

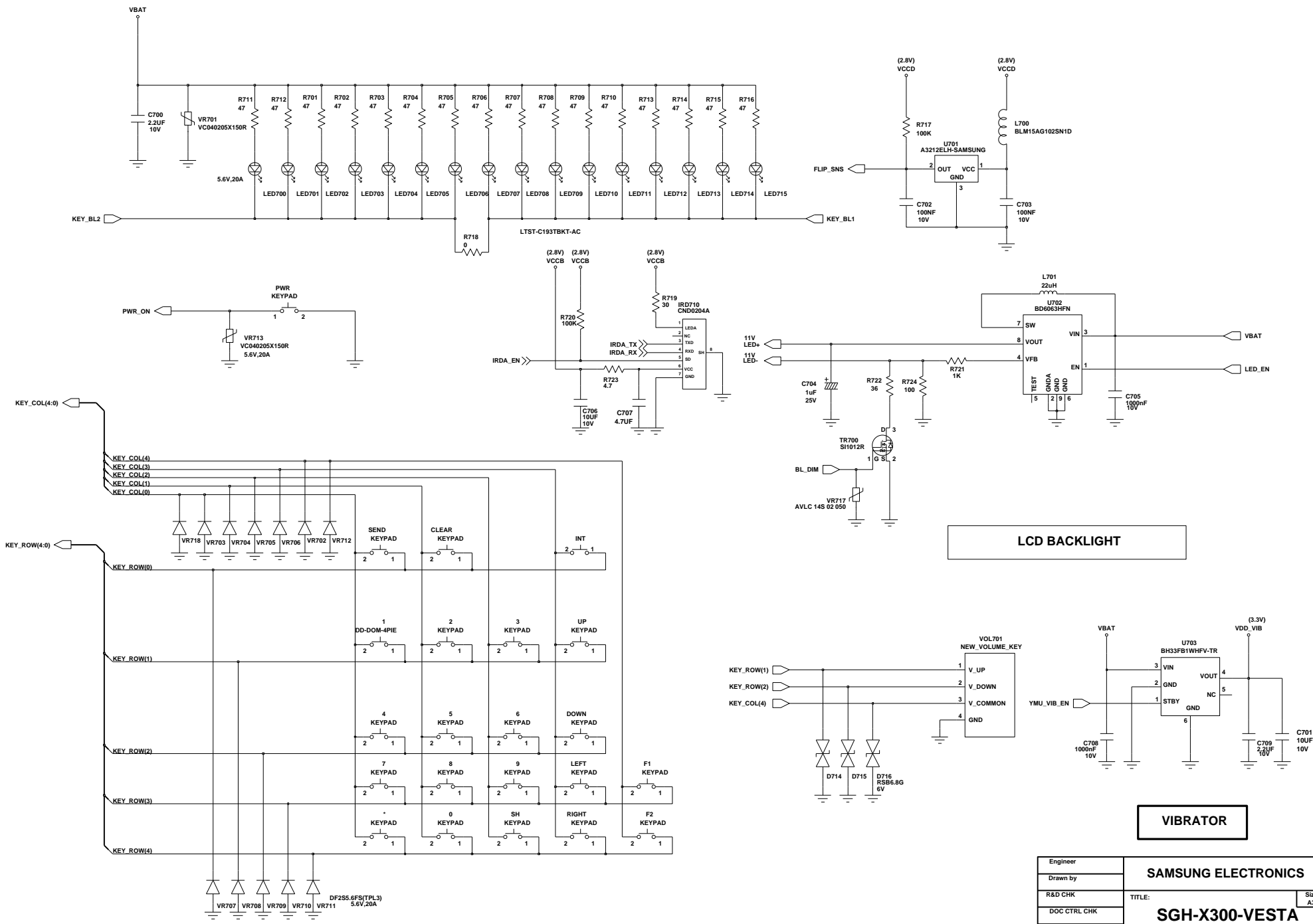
Engineer	SAMSUNG ELECTRONICS	
Drawn by		
R&D CHK	TITLE:	Size A3
DOC CTRL CHK	SGH-X300-VESTA	
MFG ENGR CHK		



MEMORY

Engineer	SAMSUNG ELECTRONICS	
Drawn by		
R&D CHK	TITLE:	Size A3
DOC CTRL CHK	SGH-X300-VESTA	
MFG ENGR CHK		

Changed by user8	Date Changed 2005.12.29	Time Changed 3:11:09 pm	QA CHK	REV 1.3	Drawing Number	Sheet 6 of 8
---------------------	----------------------------	----------------------------	--------	------------	----------------	--------------

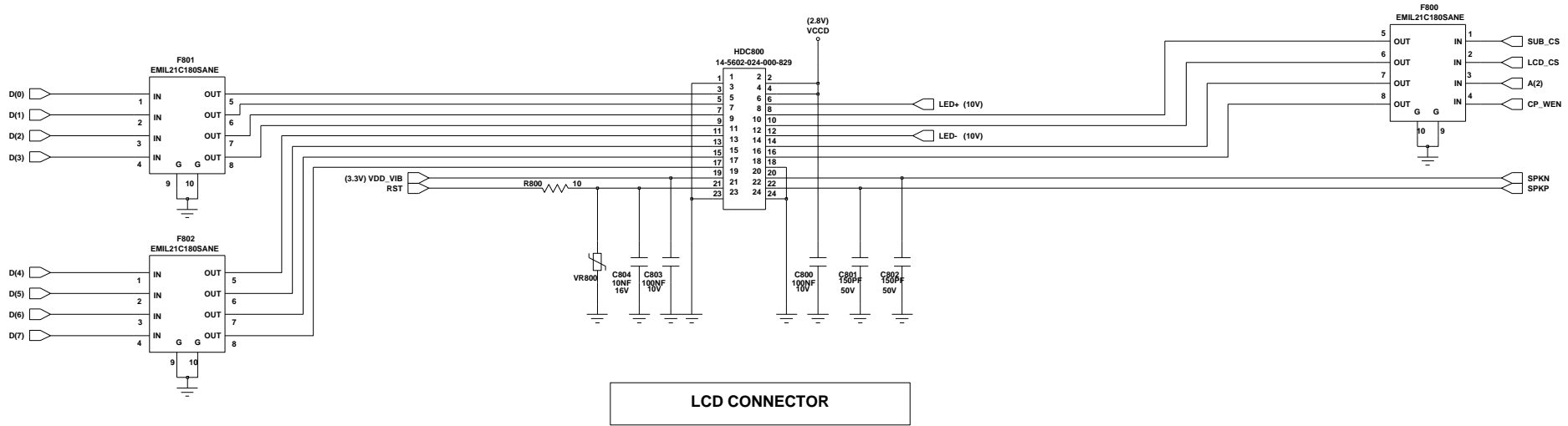


LCD BACKLIGHT

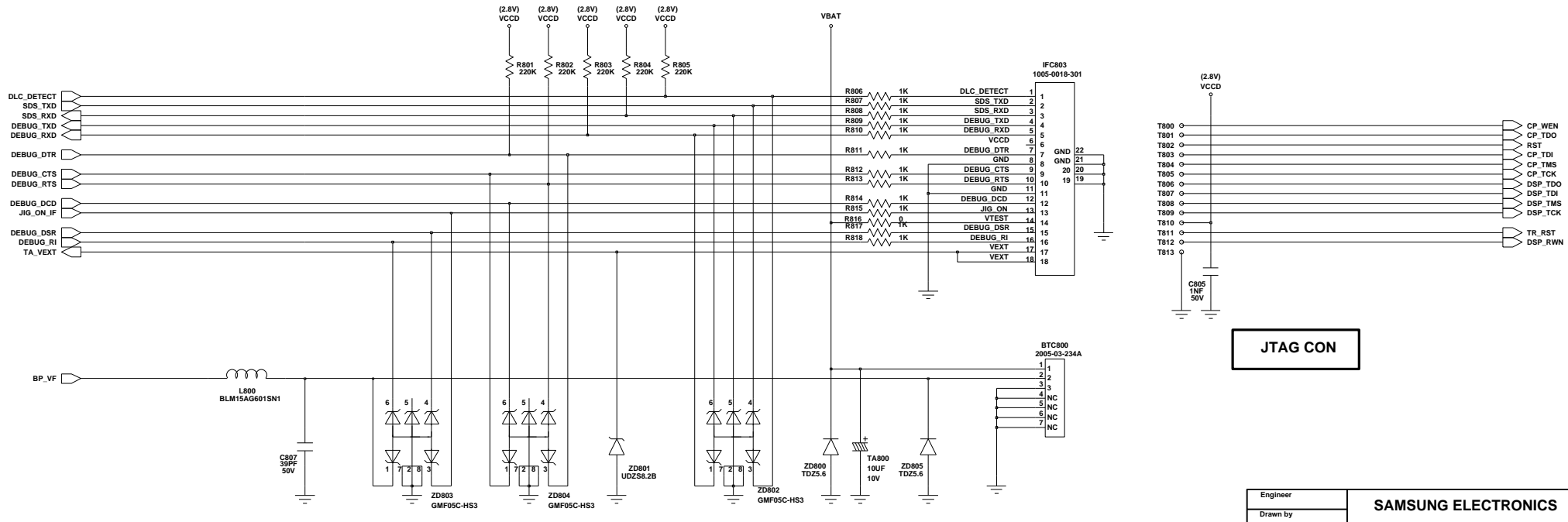
VIBRATOR

Engineer	SAMSUNG ELECTRONICS		Size
Drawn by			A3
R&D CHK			TITLE:
DOC CTRL CHK			SGH-X300-VESTA
MFG ENGR CHK			

Changed by user8	Date Changed 2005.12.22	Time Changed 3:12:05 pm	GA CHK	REV 1.9	Drawing Number	Sheet 7 of 8
---------------------	----------------------------	----------------------------	--------	------------	----------------	-----------------



LCD CONNECTOR



I/F CONNECTOR

JTAG CON

Engineer	SAMSUNG ELECTRONICS	
Drawn by		
R&D CHK	TITLE:	Size A3
DOC CTRL CHK	SGH-X300-VESTA	
MFG ENGR CHK		