

ZD304
V405
C432
C209
C208
U206
C706
U703
C705

R715 L701 C704
C703

U702

V706 R710
D708

R711
D711

UP

F1

LEFT

INT

RIGHT

F2

SEND

V710
D702 R704
V703
D701

DOWN

R701
D708 V702
V713 R702

CLEAR

PWR

TP9 VOL701

1

V708
R703
D701

2

S02A
R707
D705

3

4

V70A
D703
R705

5

V701
D707
R709

6

7

R708
D700
V70A
T200
T209
T211
T212
T210
T213

8

R706
D704
V704

9

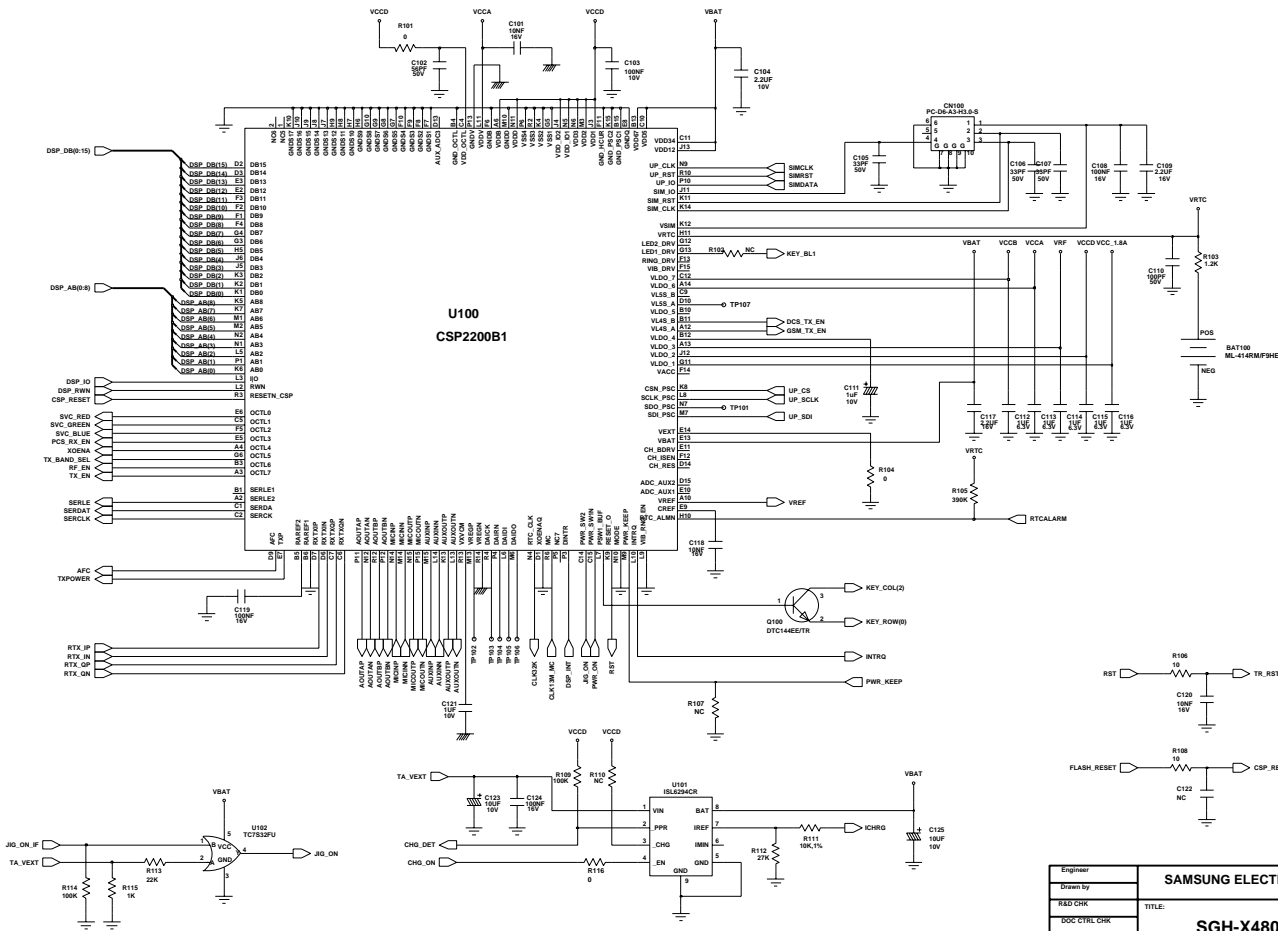
*

0

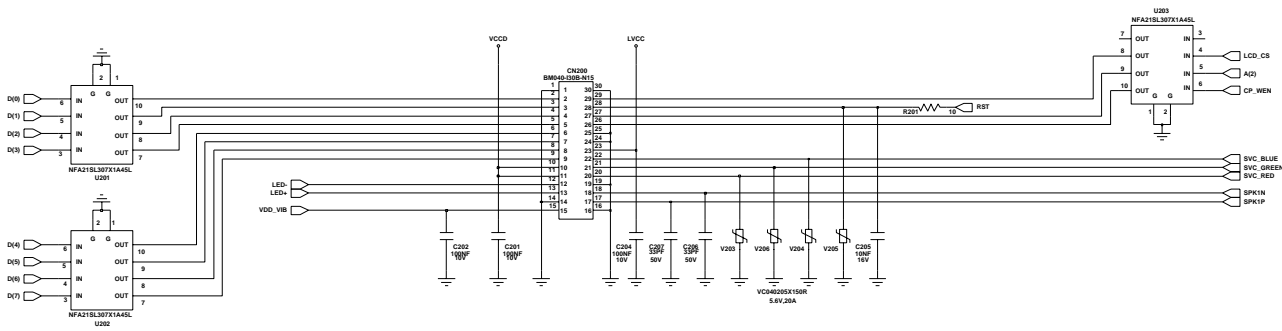
SH

T206 T207
T205 T208
C221

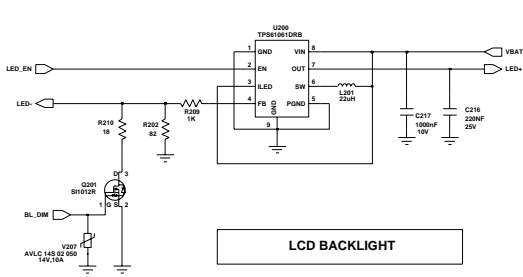
C411
C414
C415
V410 V411
C410 C422



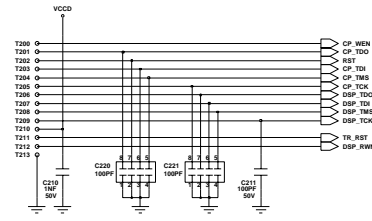
Engineer	SAMSUNG ELECTRONICS			Size
Drawn by				AS
RA0/CHK	TITLE:			
DOC CTRL/CHK	SGH-X480			
MPG ENDR/CHK				



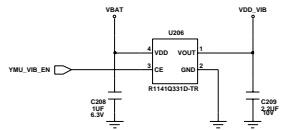
LCD CONNECTOR



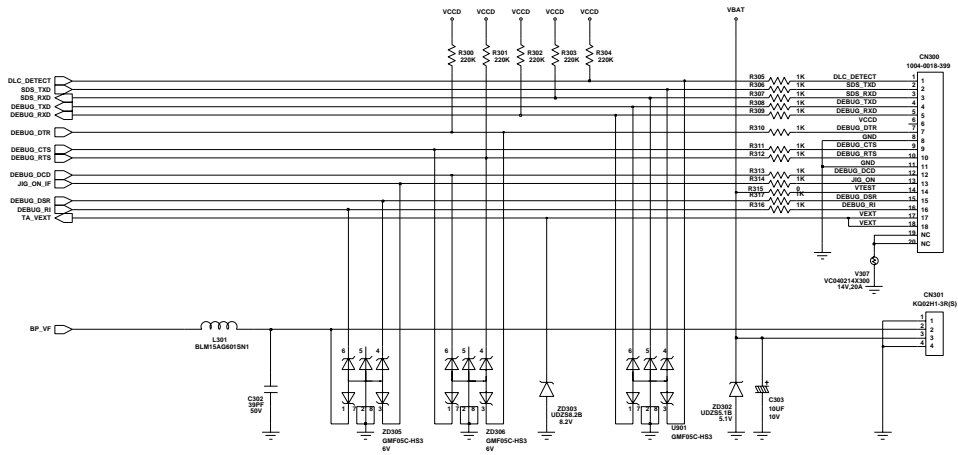
LCD BACKLIGHT



JTAG CON

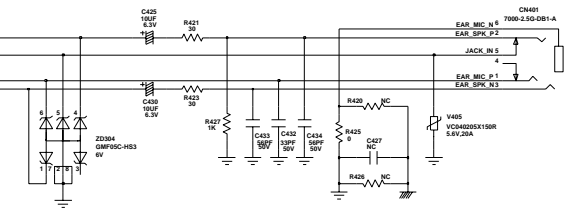
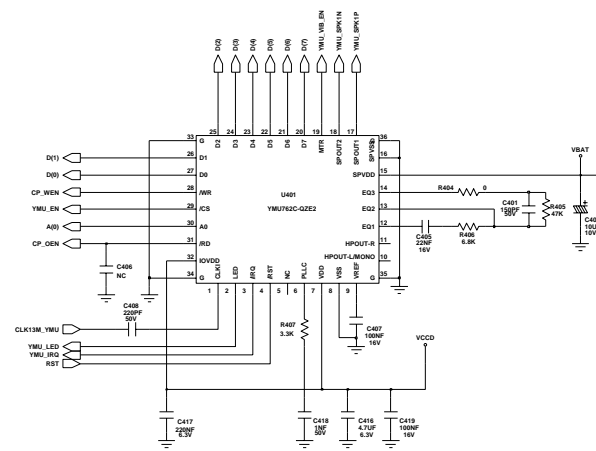
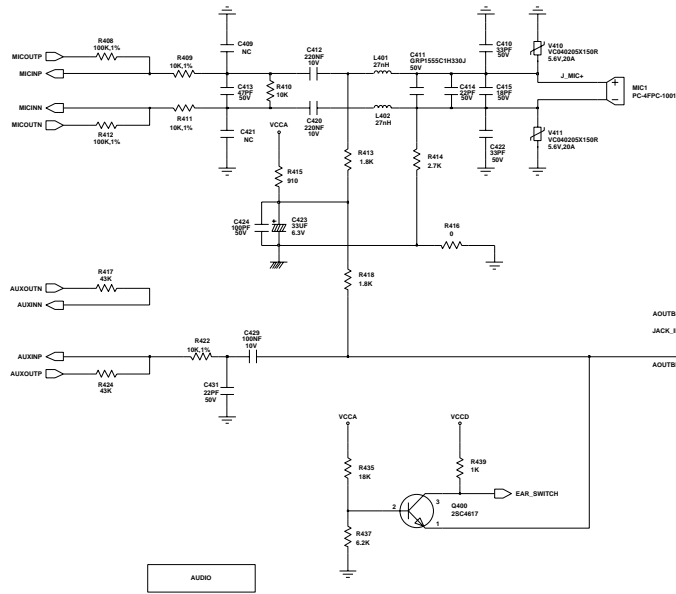
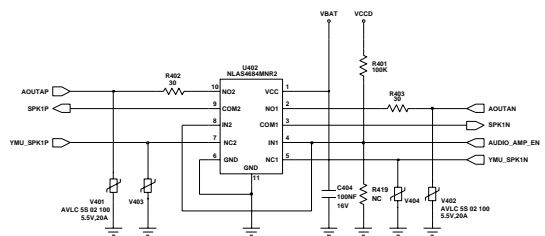


Engineer	SAMSUNG ELECTRONICS		Size
Drawn by	TITLE:		AS
RD/CHK	SGH-X480		
DOC CTRL/CHK			
MFG ENGR/CHK			

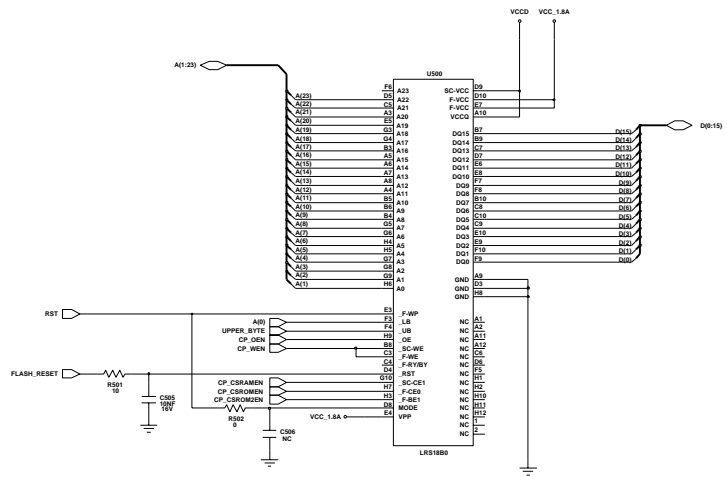
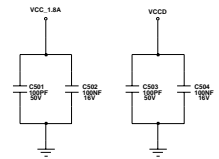


I/F CONNECTOR

Engineer	SAMSUNG ELECTRONICS		Size AS	
Drawn by				
RA0 CHK				TITLE:
DOC CTRL CHK				SGH-X480
MFG ENGR CHK				

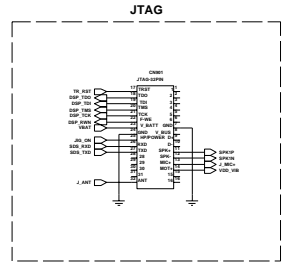
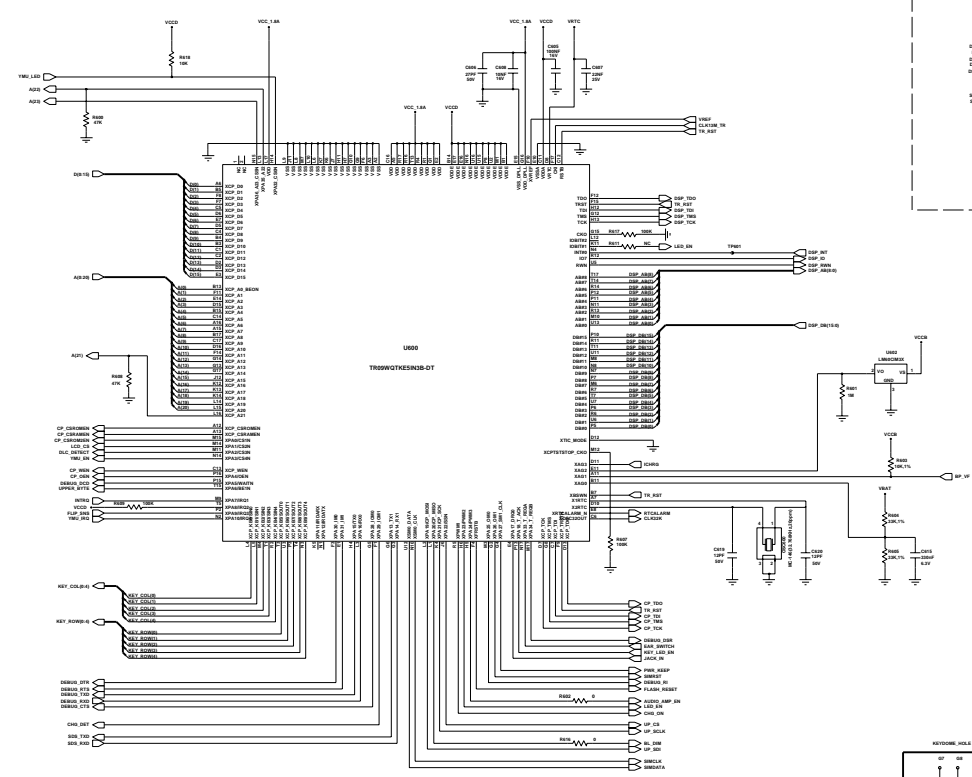
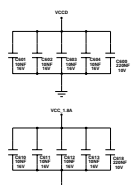


Engineer	SAMSUNG ELECTRONICS		Size A3	
Drawn by				
R&D CHK				TITLE:
DOC CTRL CHK				SGH-X480
MFG ENGR CHK	G.A. CHK	REV	Sheet 4 of 9	

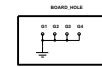
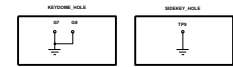


MEMORY

Engineer	SAMSUNG ELECTRONICS		Size AS	
Drawn by				
R&D CHK				TITLE:
DOC CTRL CHK				SGH-X480
MFG ENGR CHK				

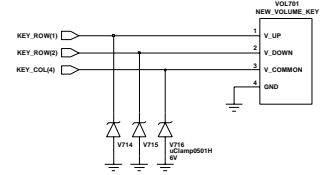
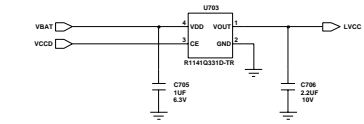
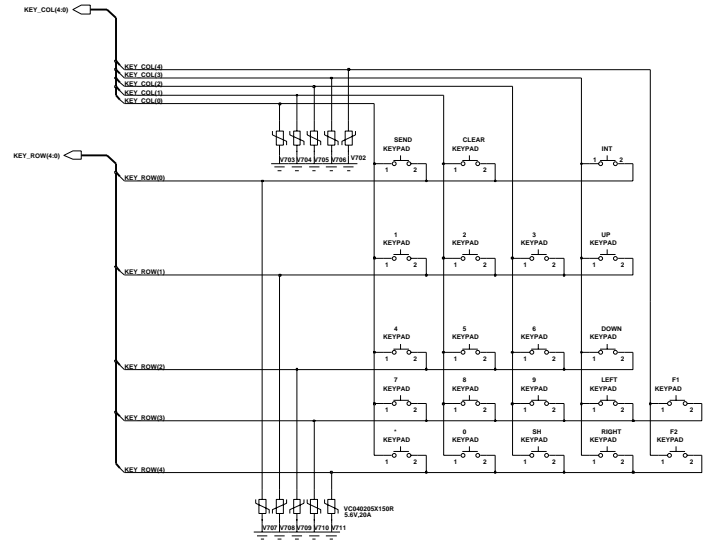
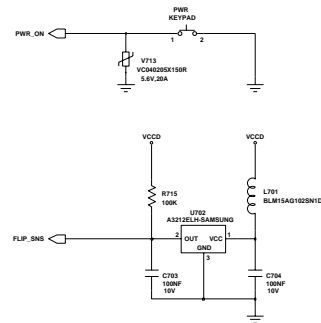
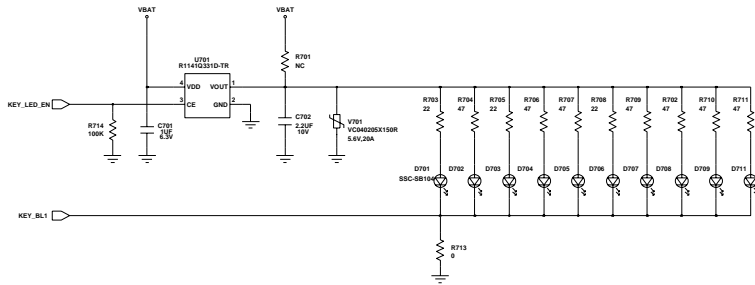


TRIDENT

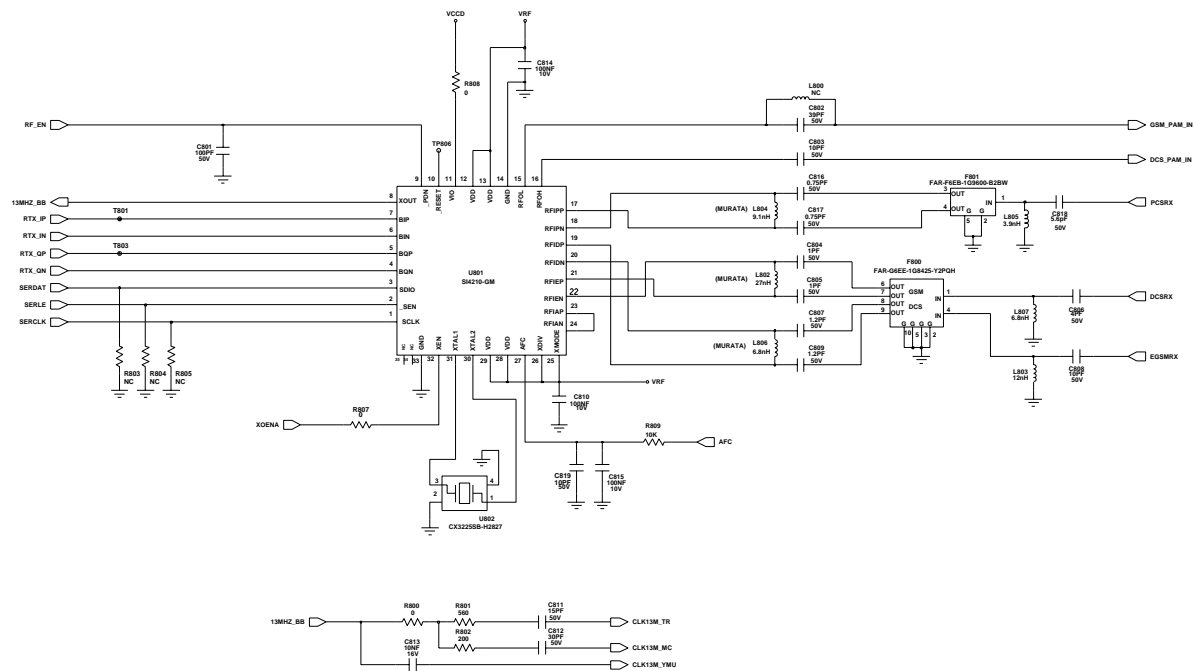


Part No.	TRIDENT	Manufacturer	SAMSUNG ELECTRONICS
Part Name	TRIDENT	Manufacturer	SAMSUNG ELECTRONICS
Part No.	TRIDENT	Manufacturer	SAMSUNG ELECTRONICS
Part Name	TRIDENT	Manufacturer	SAMSUNG ELECTRONICS

SGH-X480

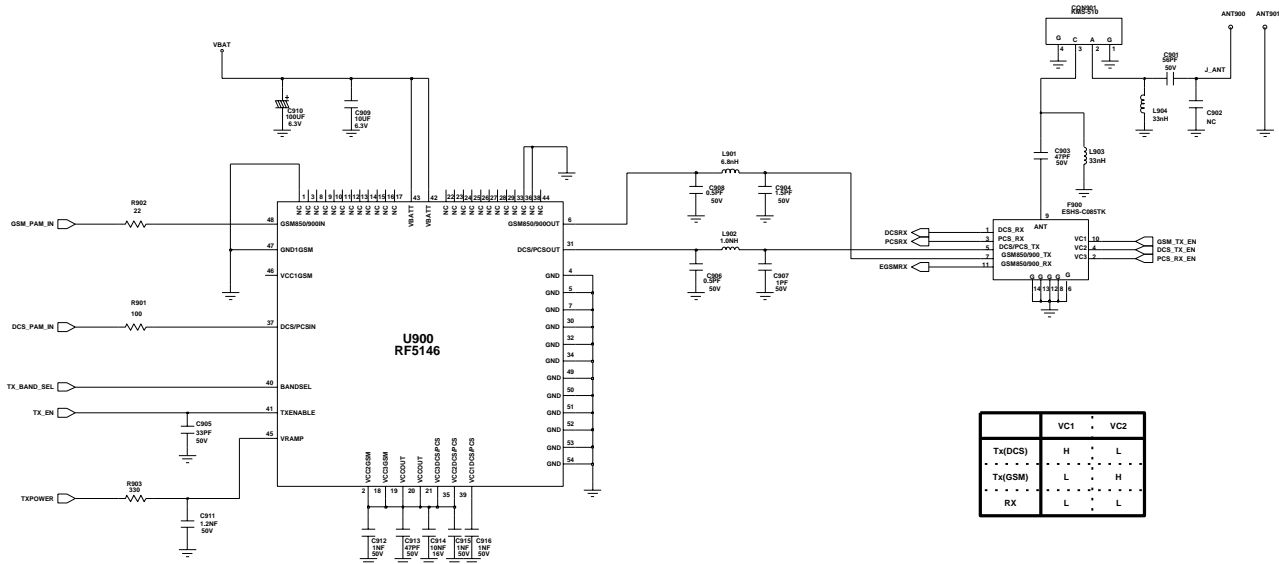


Engineer	SAMSUNG ELECTRONICS		Size A3	
Drawn by				
RD/CHK				TITLE:
DOC CTRL CHK				SGH-X480
MFG ENGR CHK				



- 1) Toyocom & KSS to be reviewed
- 2) Toyocom samples to be reviewed starting 5/26/04 ; to coordinate with Toyocom on behalf of Mr.Park/Samsung

Engineer	SAMSUNG ELECTRONICS		Sheet AS	
Drawn by				
R&D CHK				TITLE:
DOC CTRL CHK				SGH-X480
MFG ENGR CHK				



Engineer

Drawn by

R&D CHK

DOC CTRL CHK

MFG ENGR CHK

SAMSUNG ELECTRONICS

TITLE:

SGH-X480

REV

Z.4

Sheet 9 of 9

Size A3