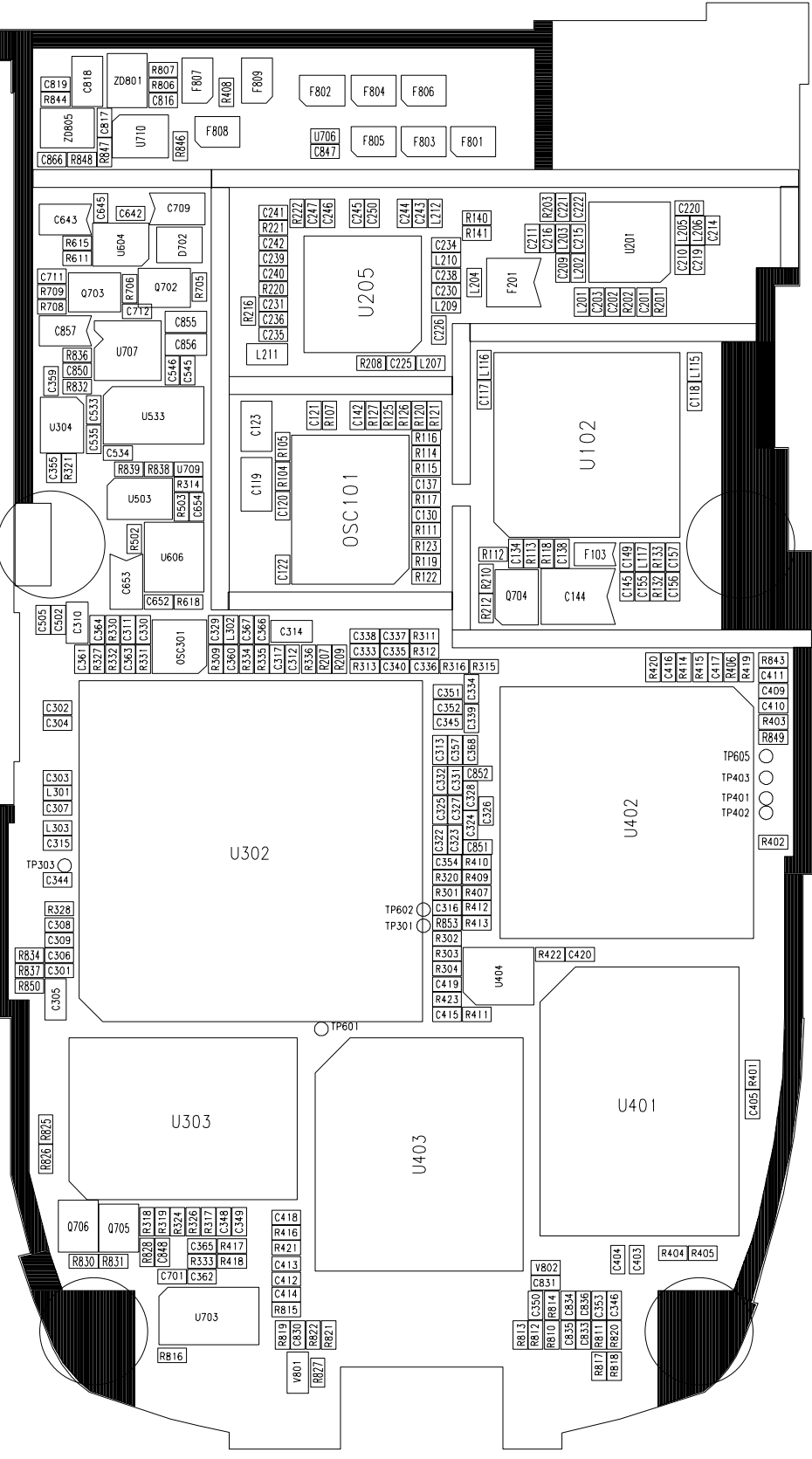
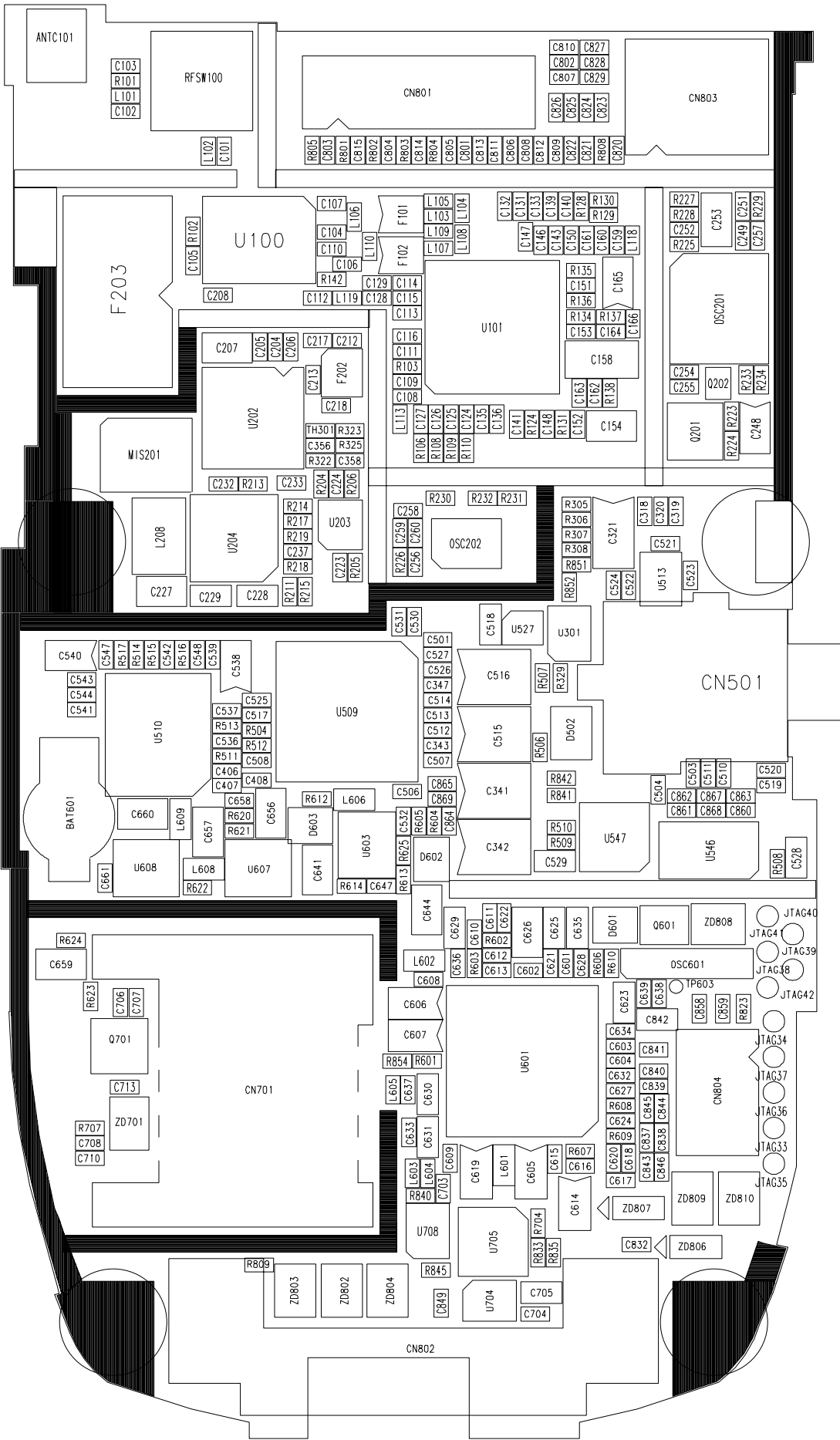


# SGH-Z105

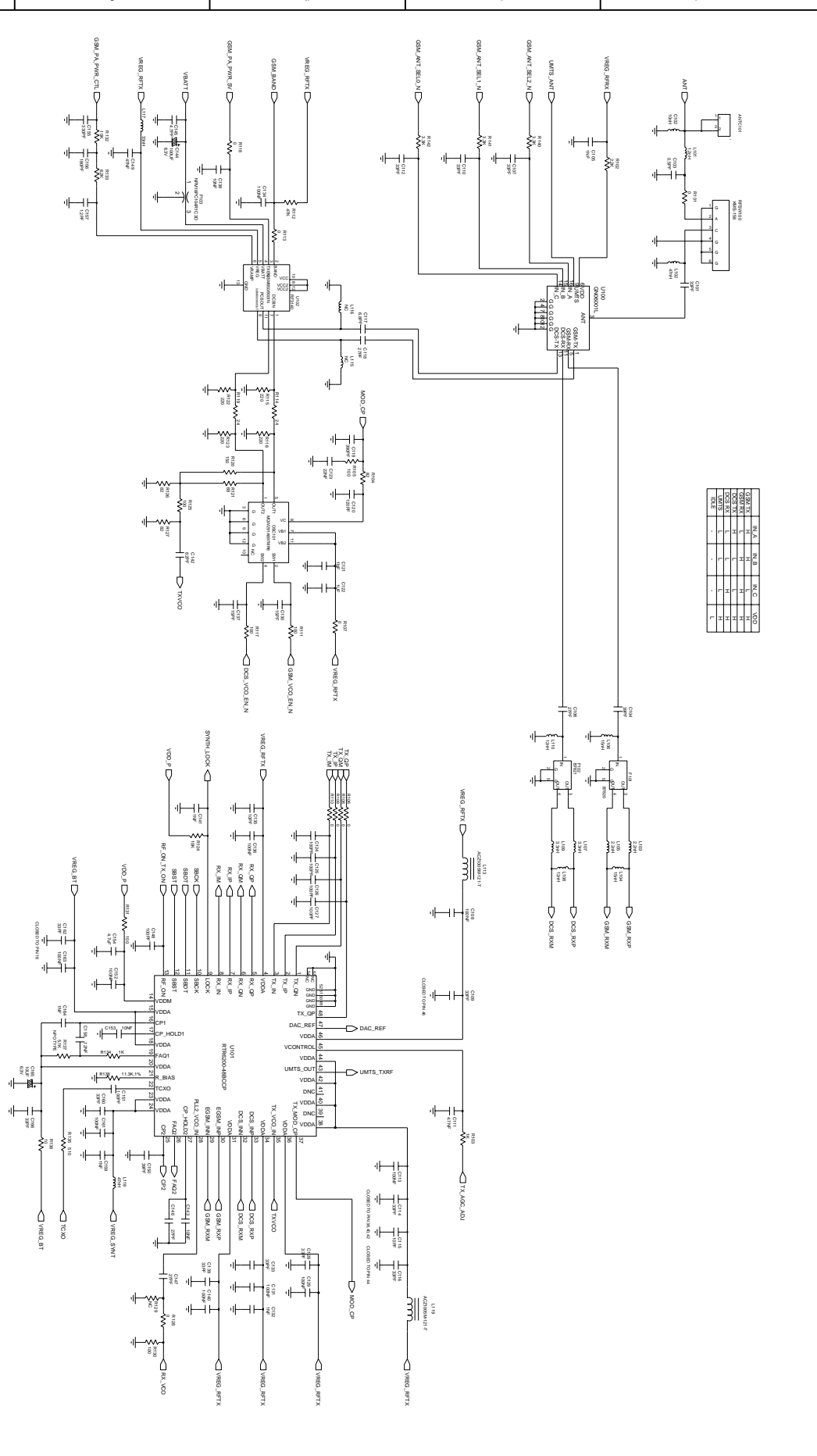
JTAG43 JTAG52 JTAG58 JTAG50 JTAG48 JTAG46 JTAG44 JTAG47 JTAG57 JTAG56 JTAG45 JTAG49 JTAG58 JTAG54 JTAG51 JTAG53 JTAG61

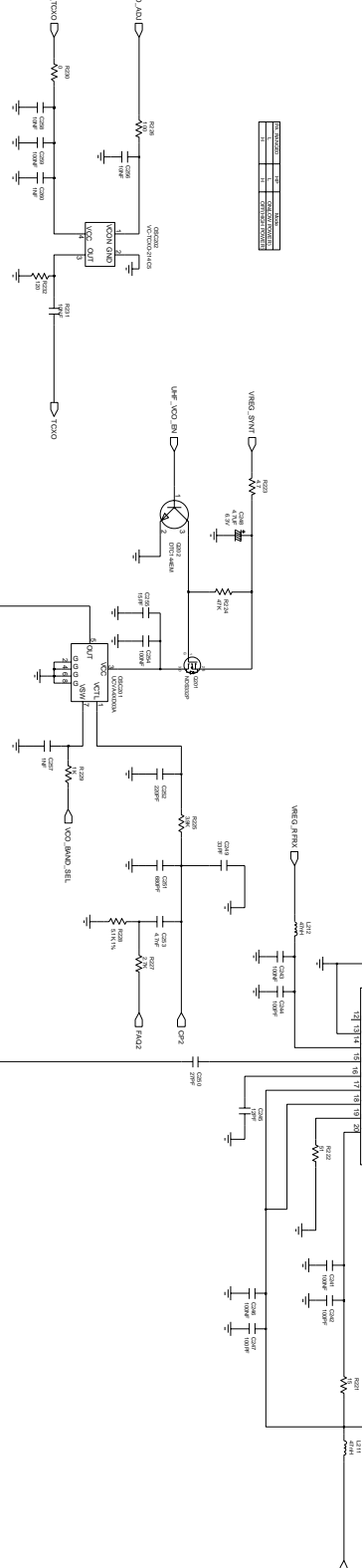
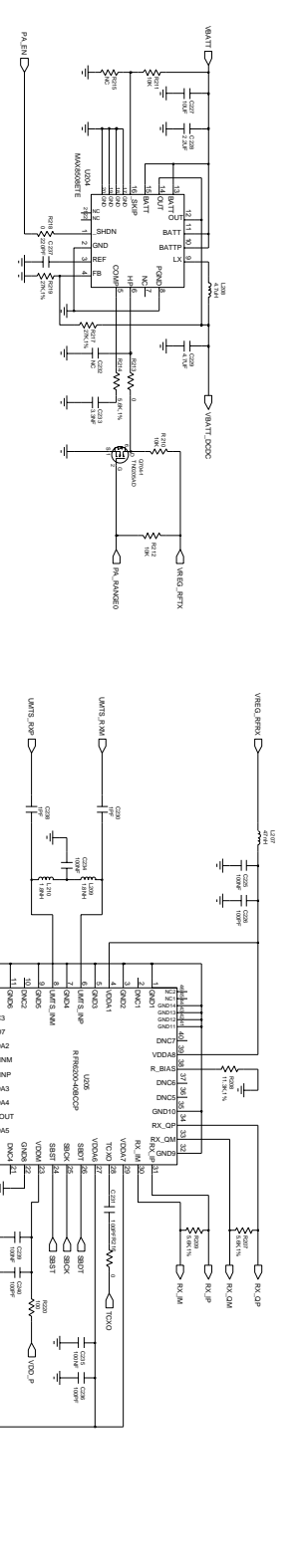
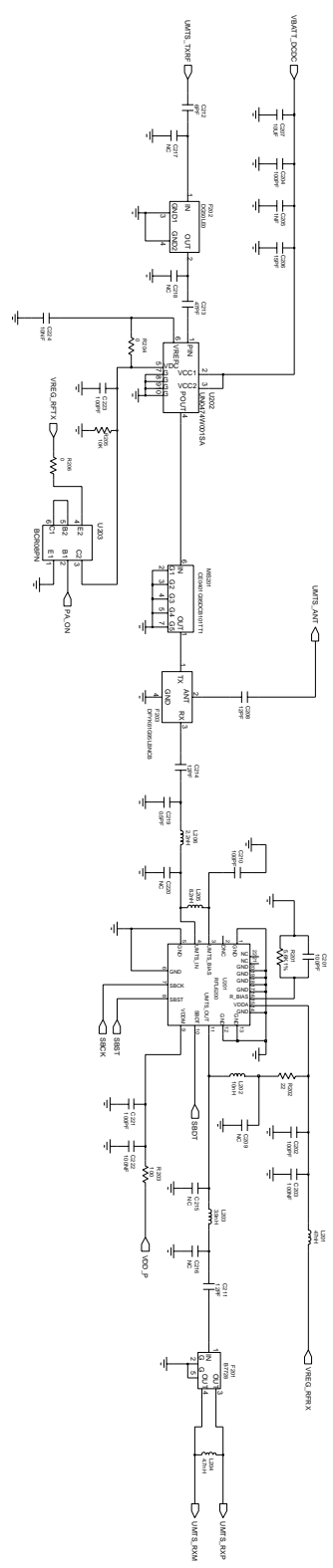


JTAG4 JTAG7 JTAG1 JTAG16 JTAG12 TP604 JTAG8 JTAG5 JTAG2 JTAG3 JTAG15 JTAG14 JTAG13 JTAG10 JTAG9 JTAG6 JTAG30 JTAG32 JTAG17 JTAG23 JTAG24 JTAG18 JTAG31 JTAG27 JTAG29 JTAG19 JTAG20 JTAG25 JTAG22 JTAG26 JTAG28 JTAG21

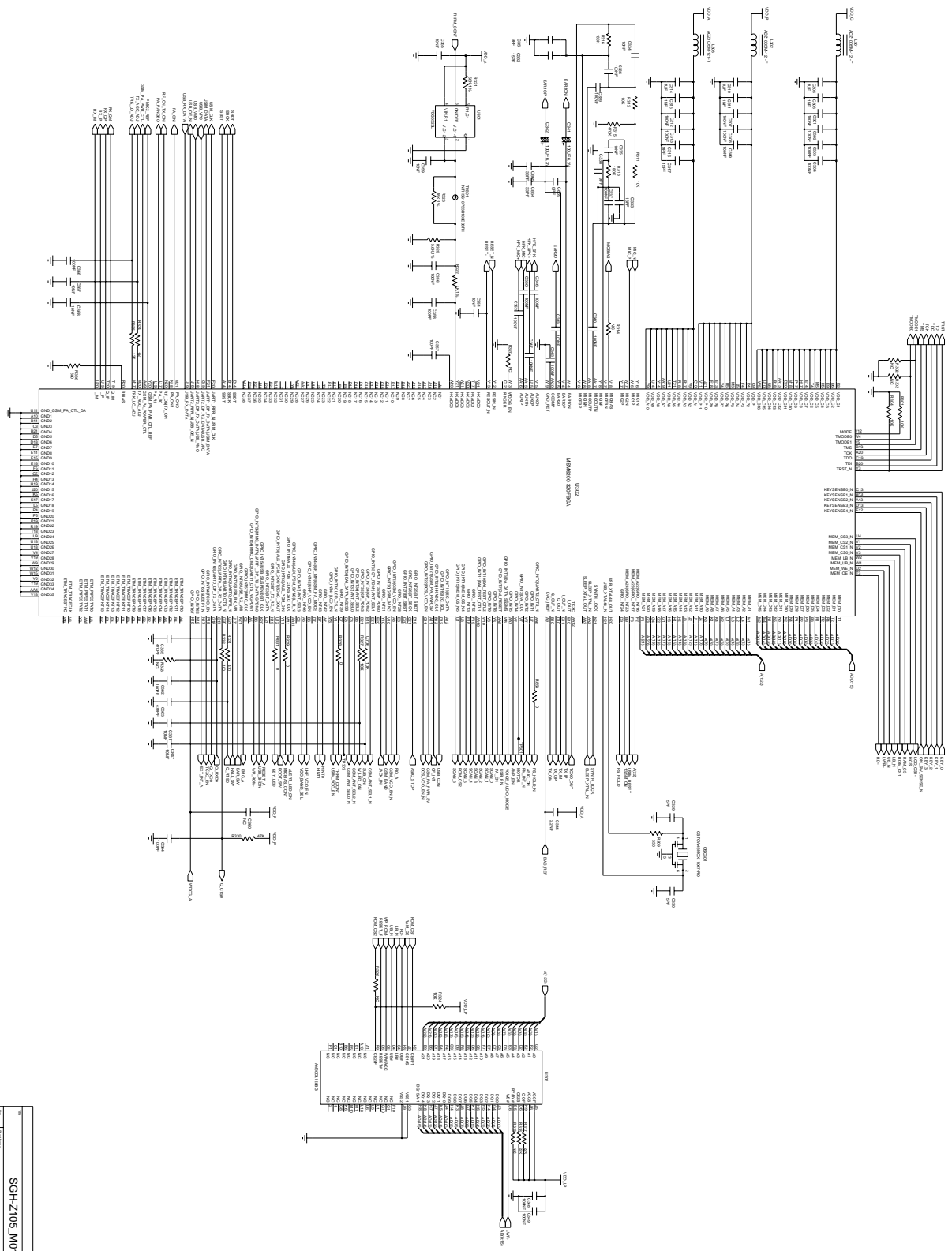


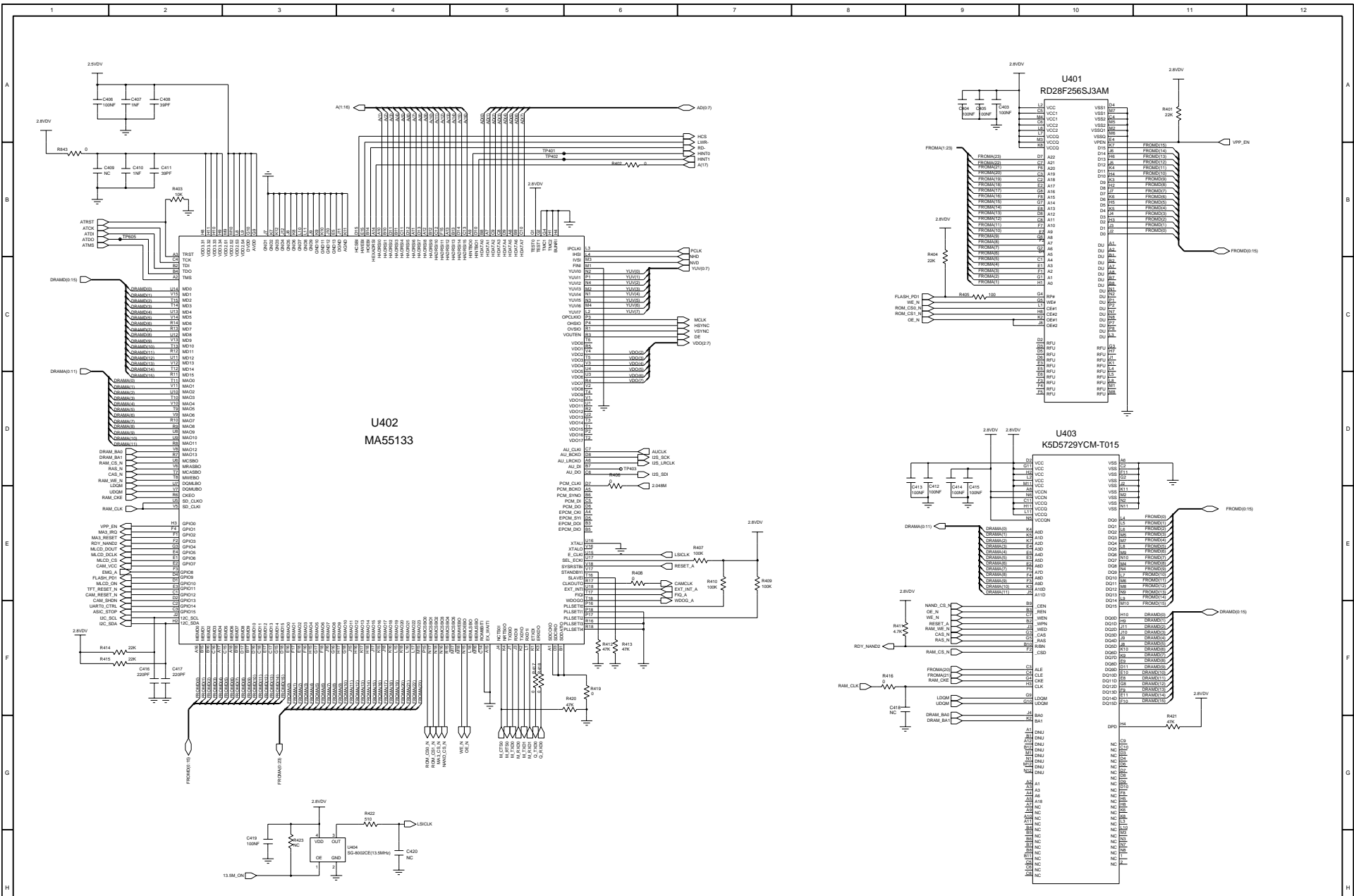
Component	Value	Unit	Ref. Des.	Notes
U100	1.8	V	VDD	
U101	1.8	V	VDD	
U102	1.8	V	VDD	
U103	1.8	V	VDD	
U104	1.8	V	VDD	
U105	1.8	V	VDD	
U106	1.8	V	VDD	
U107	1.8	V	VDD	
U108	1.8	V	VDD	
U109	1.8	V	VDD	
U110	1.8	V	VDD	
U111	1.8	V	VDD	
U112	1.8	V	VDD	
U113	1.8	V	VDD	
U114	1.8	V	VDD	
U115	1.8	V	VDD	
U116	1.8	V	VDD	
U117	1.8	V	VDD	
U118	1.8	V	VDD	
U119	1.8	V	VDD	
U120	1.8	V	VDD	
U121	1.8	V	VDD	
U122	1.8	V	VDD	
U123	1.8	V	VDD	
U124	1.8	V	VDD	
U125	1.8	V	VDD	
U126	1.8	V	VDD	
U127	1.8	V	VDD	
U128	1.8	V	VDD	
U129	1.8	V	VDD	
U130	1.8	V	VDD	
U131	1.8	V	VDD	
U132	1.8	V	VDD	
U133	1.8	V	VDD	
U134	1.8	V	VDD	
U135	1.8	V	VDD	
U136	1.8	V	VDD	
U137	1.8	V	VDD	
U138	1.8	V	VDD	
U139	1.8	V	VDD	
U140	1.8	V	VDD	
U141	1.8	V	VDD	
U142	1.8	V	VDD	
U143	1.8	V	VDD	
U144	1.8	V	VDD	
U145	1.8	V	VDD	
U146	1.8	V	VDD	
U147	1.8	V	VDD	
U148	1.8	V	VDD	
U149	1.8	V	VDD	
U150	1.8	V	VDD	
U151	1.8	V	VDD	
U152	1.8	V	VDD	
U153	1.8	V	VDD	
U154	1.8	V	VDD	
U155	1.8	V	VDD	
U156	1.8	V	VDD	
U157	1.8	V	VDD	
U158	1.8	V	VDD	
U159	1.8	V	VDD	
U160	1.8	V	VDD	
U161	1.8	V	VDD	
U162	1.8	V	VDD	
U163	1.8	V	VDD	
U164	1.8	V	VDD	
U165	1.8	V	VDD	
U166	1.8	V	VDD	
U167	1.8	V	VDD	
U168	1.8	V	VDD	
U169	1.8	V	VDD	
U170	1.8	V	VDD	
U171	1.8	V	VDD	
U172	1.8	V	VDD	
U173	1.8	V	VDD	
U174	1.8	V	VDD	
U175	1.8	V	VDD	
U176	1.8	V	VDD	
U177	1.8	V	VDD	
U178	1.8	V	VDD	
U179	1.8	V	VDD	
U180	1.8	V	VDD	
U181	1.8	V	VDD	
U182	1.8	V	VDD	
U183	1.8	V	VDD	
U184	1.8	V	VDD	
U185	1.8	V	VDD	
U186	1.8	V	VDD	
U187	1.8	V	VDD	
U188	1.8	V	VDD	
U189	1.8	V	VDD	
U190	1.8	V	VDD	
U191	1.8	V	VDD	
U192	1.8	V	VDD	
U193	1.8	V	VDD	
U194	1.8	V	VDD	
U195	1.8	V	VDD	
U196	1.8	V	VDD	
U197	1.8	V	VDD	
U198	1.8	V	VDD	
U199	1.8	V	VDD	
U200	1.8	V	VDD	

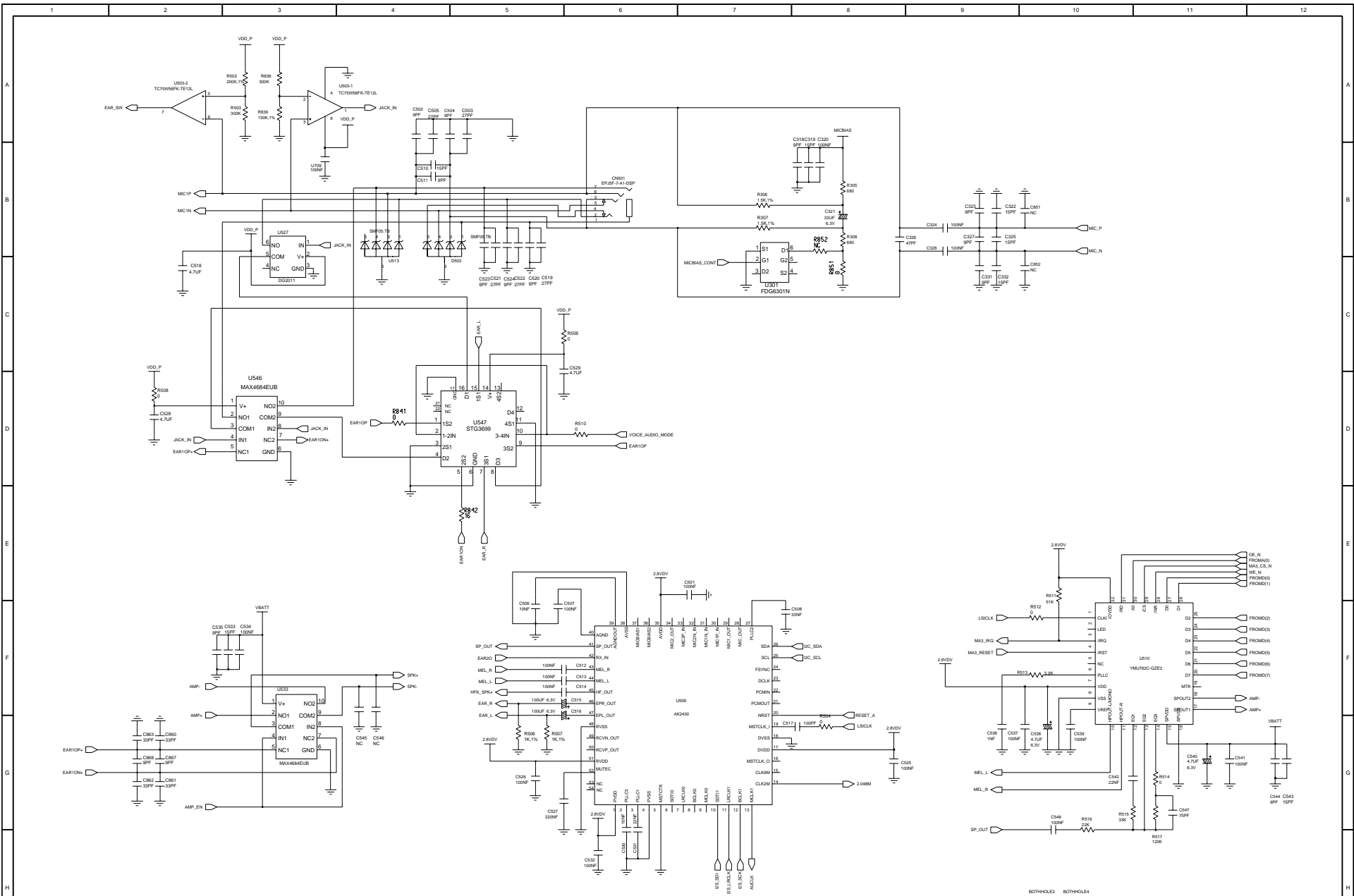


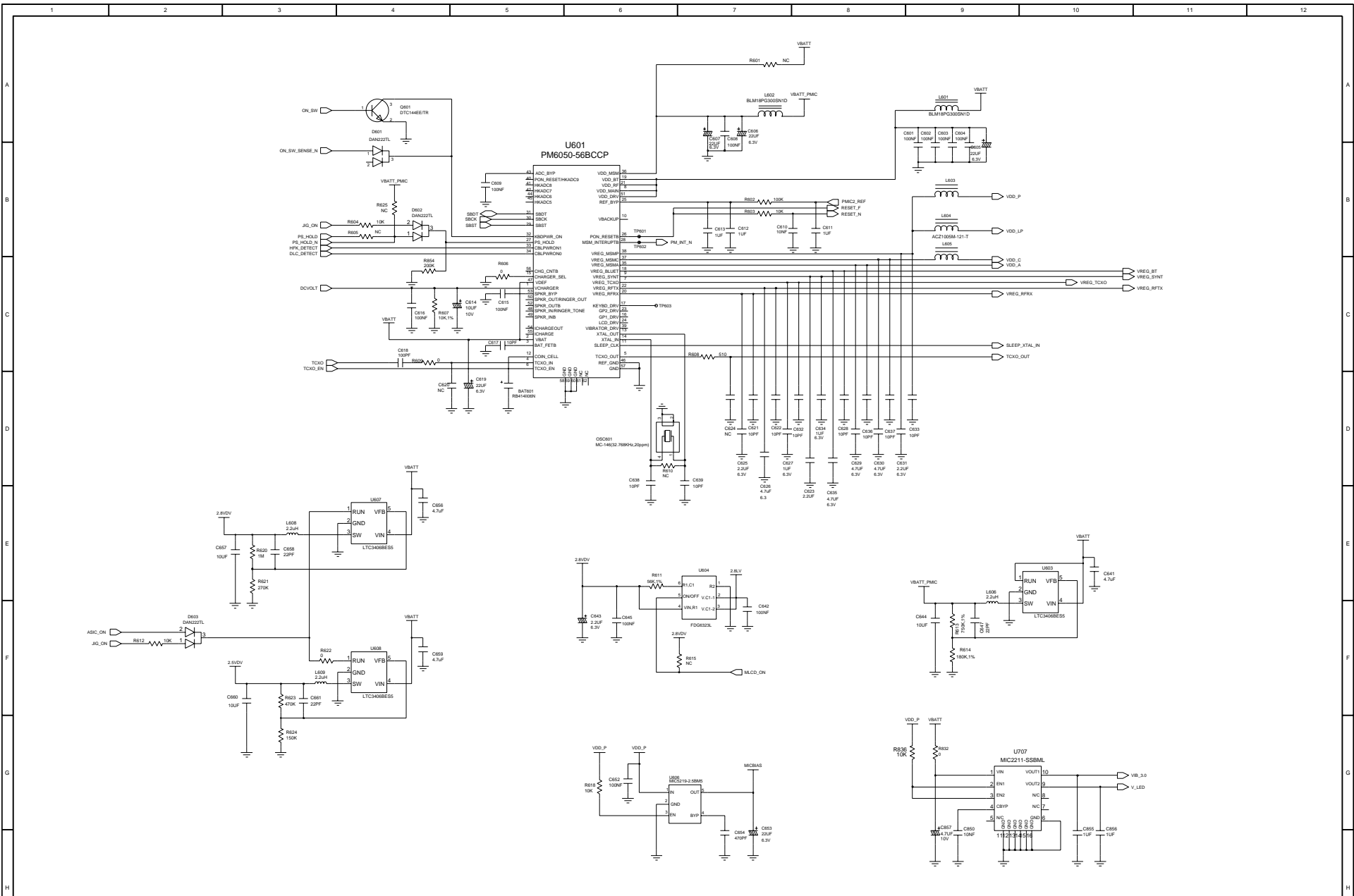


Rev	1
Date	10/10/2000
Drawn	RF2
Checked	RF2
Project	SGH-Z105_M01
Sheet	2 of 8

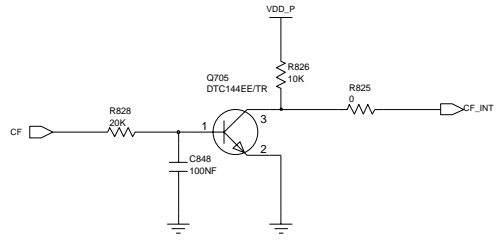
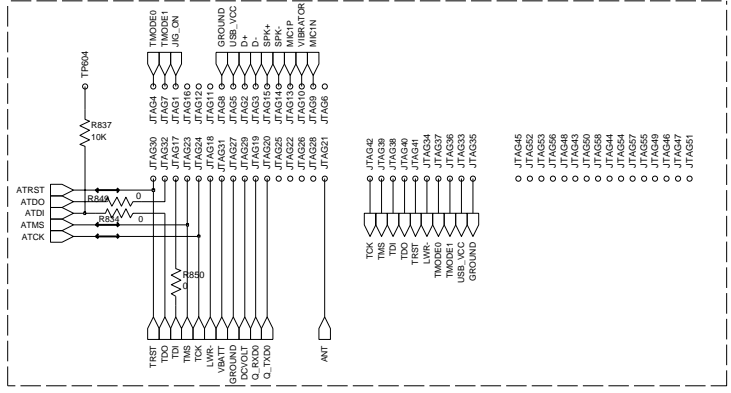
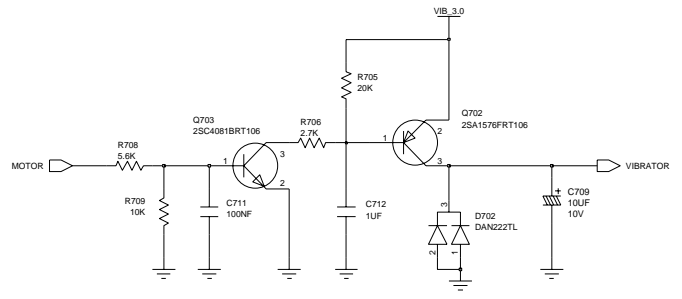
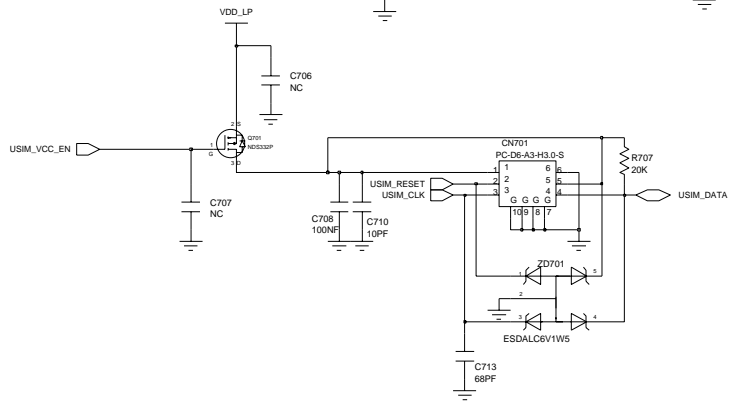
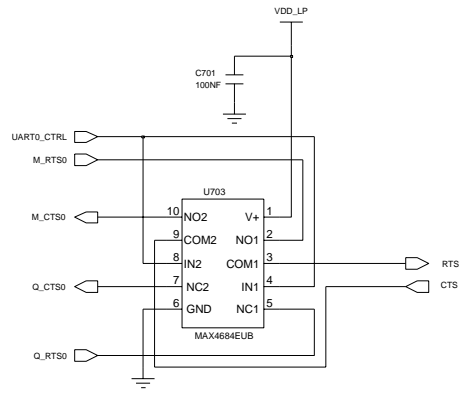
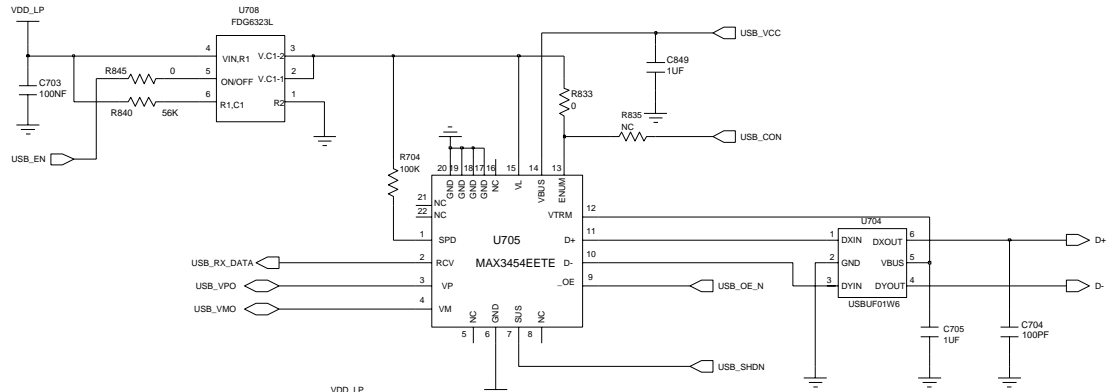












Engineer	SGH-Z105_M01		
Drawn by			
R&D CHK	TITLE:	Size A3	
DOC CTRL CHK	UART , USB , USIM J-TAG		
MFG ENGR CHK			
QA CHK	REV 02	Drawing Number	Sheet 7 of 8

