



# Part List, Mechanical

Applicable for K310

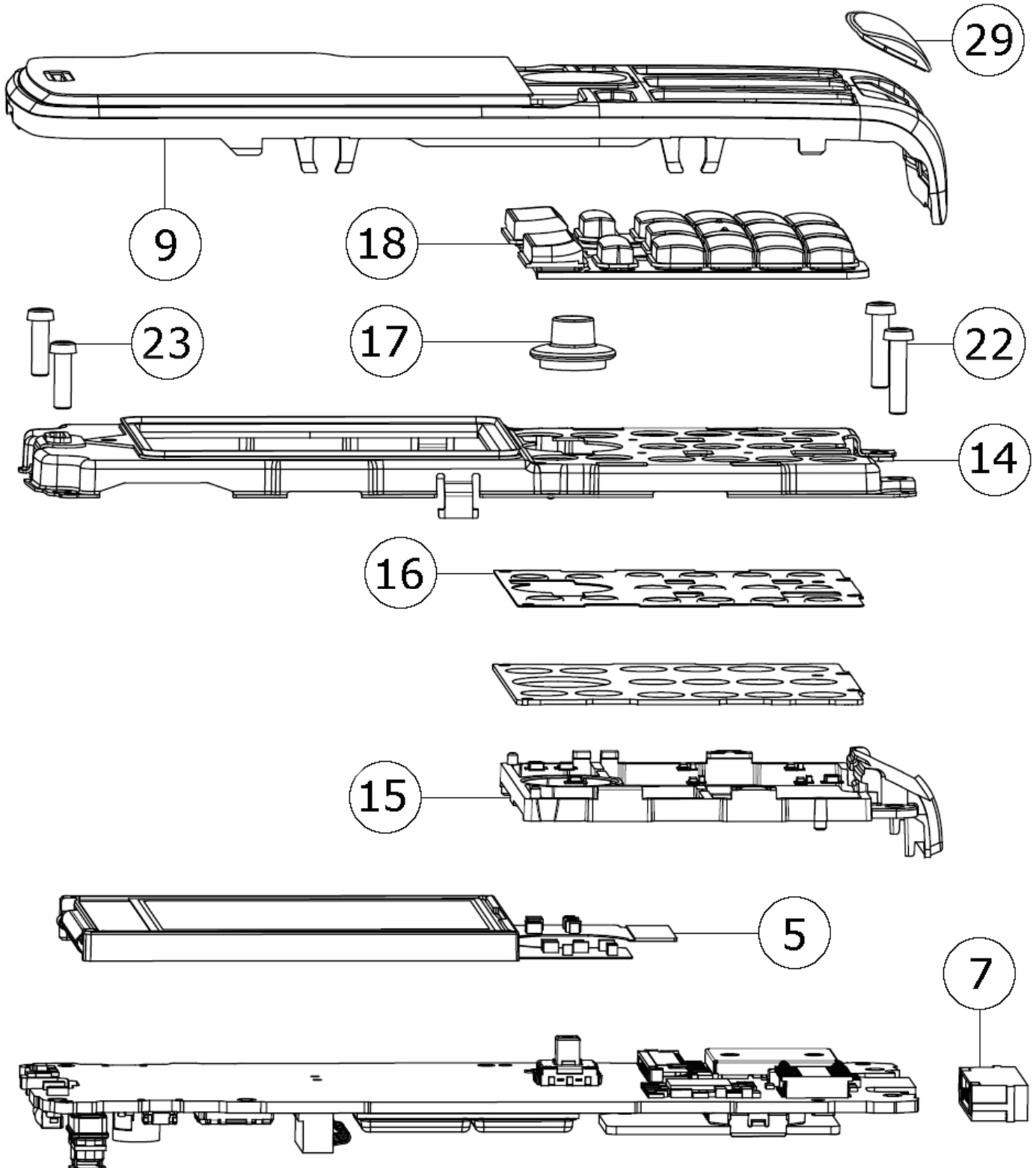
## Contents

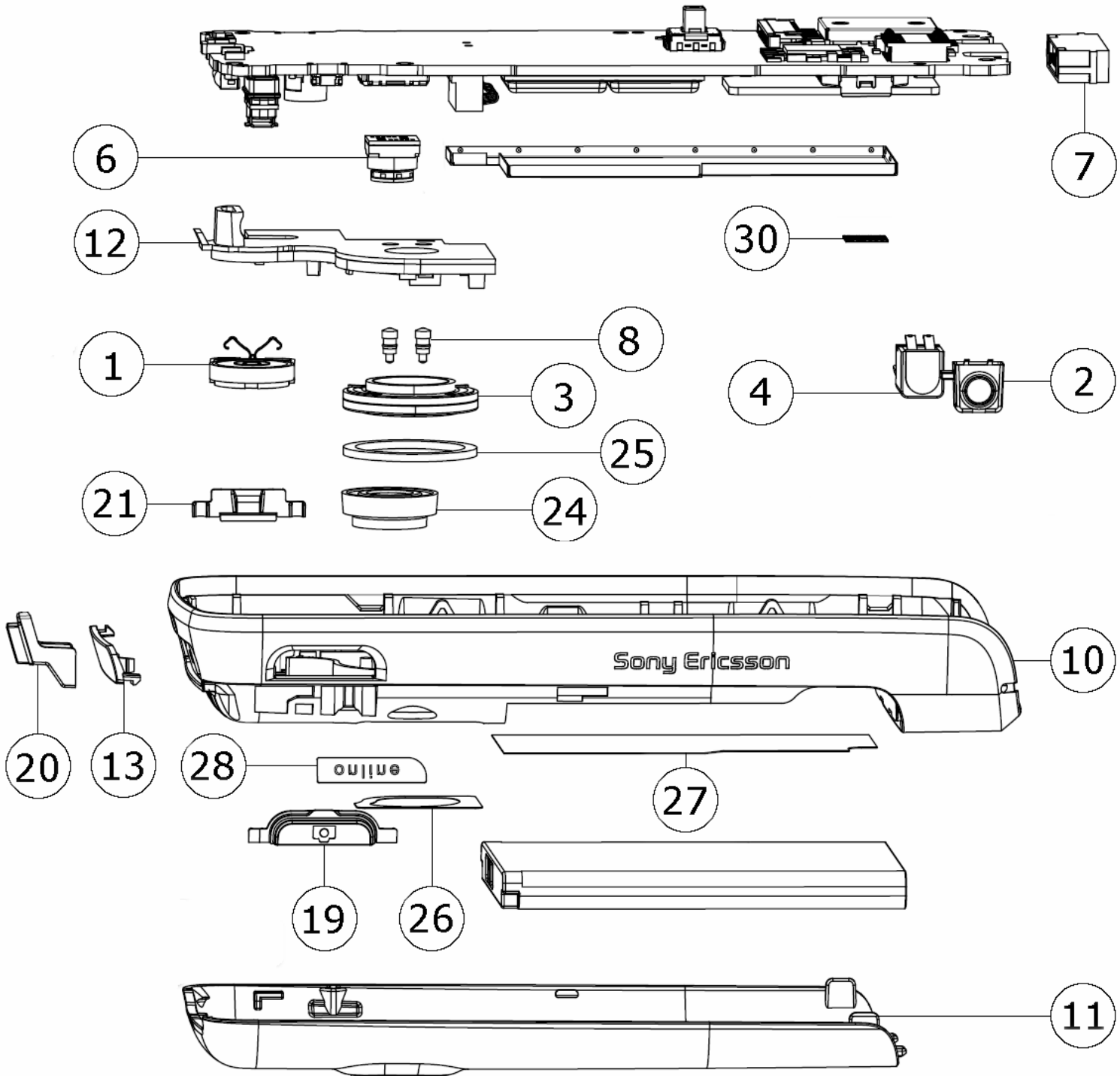
<b>1</b>	<b>Exploded view .....</b>	<b>2</b>
1.1	Exploded view phone .....	2
<b>2</b>	<b>Part List .....</b>	<b>4</b>
2.1	Part list phone .....	4
<b>3</b>	<b>Label Part List.....</b>	<b>6</b>
<b>4</b>	<b>Revision History.....</b>	<b>6</b>



# 1 Exploded view

## 1.1 Exploded view phone





## **2 Part List**

### **2.1 Part list phone**

This Part List includes all parts possible to replace by using the Mechanical Repair Process. Parts available to order will be found in the Web Shop.  
Pos. number refers to the Exploded View.



Pos.	Description	Part Number	Comments
1	RECEIVER 32OHM 15%	F/42-60411	
2	MICROPHONE ASSY	F/43-90506	
3	SPEAKER 16mm	F/42-41032	
4	VIBRA 2.7V 5.0X5.5X13.0 8900 +- 1800RPM	F/40-78820	
5	LCD DISPLAY MODULE	F/37-80405	
6	CAMERA MODULE VGA 6X6X4.5MM	F/44-64632	
7	SYSTEM CONNECTOR	RNV79936	
8	POGO PIN	F/34-54091	
9	FRONT COVER ASSEMBLY Misty Silver	F/53-60200	
9	FRONT COVER ASSEMBLY Shadow Blue	F/53-60310	
10	FRAME (B-COVER) ASSEMBLY 900MHz	F/53-42708	
10	FRAME (B COVER) ASSEMBLY 850 MHz	F/53-42914	
11	BATTERY COVER ASSEMBLY Silver	F/53-45010	
11	BATTERY COVER ASSY Blue	F/53-45041	
12	AUDIO PIPE ASSEMBLY	F/53-69077	
13	IR WINDOW	F/55-28917	
14	METAL FRAME ASSEMBLY	F/52-91672	
15	UI MODULE FRAME	F/53-71382	
16	DOMESHEET FOIL	F/53-76973	
17	JOYSTIC CAP ASSY	F/53-82264	
18	KEYPAD ASSEMBLY LATIN	F/65-21830	
18	KEYPAD ASSEMBLY ARABIC	F/65-21550	
18	KEYPAD ASSEMBLY BOBOMOFO	F/65-21228	
18	KEYPAD ASSEMBLY HEBREW	F/65-21610	
18	KEYPAD ASSEMBLY STROKE	F/65-21926	
18	KEYPAD ASSEMBLY THAI	F/65-21454	
18	KEYPAD ASSEMBLY CYRILLIC	F/65-21702	
18	KEYPAD ASSEMBLY HINDI	F/65-21300	
19	CAMERA KEY ASSEMBLY	F/53-42915	
20	POWER KEY ASSEMBLY	F/53-44168	
21	OPERATOR KEY ASSEMBLY	F/53-47422	
22	SCREW BOTTOM K18-1.8x8.00mm	F/51-60834	
23	SCREW TOP K18-1.8x6.00mm	F/51-67181	
24	CAMERA GASKET	F/57-51317	
25	SPEAKER GASKET	F/57-79280	
26	SPEAKER DUST NET	F/52-41951	
27	TYPE LABEL (KRH LABEL)	F/80-26119	
28	Side Key Label Generic	F/80-11162	
28	Side Key Label Orange	F/80-11170	
29	Generic Logo Assy K310i	F/80-13210	
29	Generic Logo Assy K310c	F/80-13225	
29	Generic Logo Assy K310a	F/80-13270	
29	Label Orange	F/80-13288	
29	Label Vodafone	F/80-13220	
29	Label CMCC	F/80-13202	
29	Label SFR	F/80-13272	
29	Label Mobilcom	F/80-13215	
29	Label Telefonica Moviestar	F/80-13251	
29	Label Entel	F/80-13213	
30	WATER INDICATOR 5X5MM	F/58-35188	



### 3 Label Part List

Pos.	Description	Part Number	Comments
27	TYPE LABEL (KRH LABEL)	F/80-26119	
27	Label Telekom Personal	F/80-13247	
27	Label CTI Movil	F/80-13285	
27	Label CMCC	F/80-13202	K310c
27	Label Swisscom	F/80-13237	
	PRINTER RIBBON	LZK 102 734/1	

### 4 Revision History

Rev.	Date	Changes / Comments
A	2006-06-16	First release
B	2006-07-07	Part number for SFR Label updated
C	2006-08-10	Added Co branded material
D	2006-09-08	Part List updated
E	2006-10-02	Label Swisscom added
F	2006-11-03	Part name changed (16) + Picture updated on page 2 (Dome Sheet Foil and PWB separated)