



Installation Instructions, Mechanical

Applicable for K770

Contents

1	General	2
2	Hardware	2
2.1	Setup.....	2
2.2	Computer	3
2.3	Sony Ericsson programming interface – DCU-60.....	3
2.4	Smart Card Reader/Service Card	3
2.5	USB Activation Dongle.....	3
2.6	Infrared Device.....	3
2.7	Bluetooth Device.....	4
2.8	Label Printer	4
2.9	Power Supply and Jumper Cables (optional).....	4
3	Software	5
3.1	EMMA III.....	5
3.2	Labelmake II software.....	5
4	Revision History	6



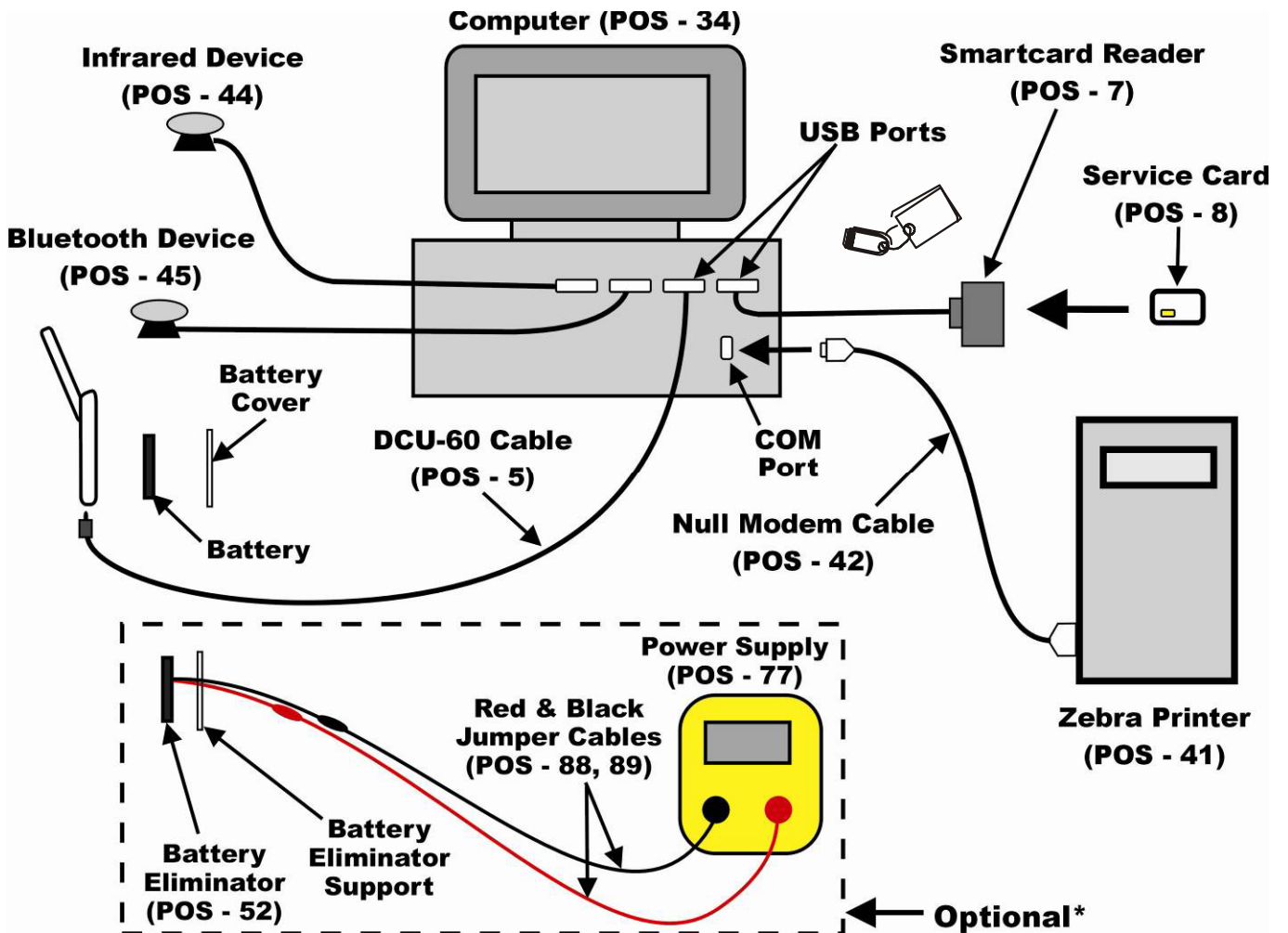
1 General

This document describes the installation procedure for the Mechanical repair package.

2 Hardware

All hardware necessary for this product's setup is documented in the Mechanical Equipment List.

2.1 Setup





2.2 Computer

An IBM compatible computer (34) is required. The computer should include at least three USB-ports. Refer to the Equipment List for minimum computer requirements.

2.3 Sony Ericsson programming interface – DCU-60

The cable is the interface between Computer and the phone. The DCU- 60 (POS-5) cable should be connected to a USB-port on the computer.

2.4 Smart Card Reader/Service Card

NOTE! The Smart Card Reader/Service Card is only needed for the CSCA (Customer Services Customization Activation) service and for all services when running EMMA III off-line.

Smart Card Reader (7)



Service Card (8)



The Smart Card Reader comes with the necessary software and instructions for installation.

1. Connect the Smart Card Reader (7) to one of the USB ports on the computer (34).
2. Install Service Card (8) into the Smart Card Reader (7).

2.5 USB Activation Dongle

A USB Activation Dongle is required for activation in EMMA III. Refer to the EMMA III Homepage available from CSPN, for installation instructions.

2.6 Infrared Device

An RS-232 or USB type Infrared adapter (POS-44) may be used to verify the Infrared function in the phone. Install according to the manufacturer's instructions.



2.7 Bluetooth Device

Any Bluetooth device (POS-45) such as a headset or Bluetooth phone can be used to verify the Bluetooth function in the phone. Set up the connection according to the chosen equipment's manufacturer's instructions.

2.8 Label Printer

A Zebra printer (41) should be set up to print labels. Connect the printer with a Null Modem (42) cable to the serial port on the computer (34). Read the Zebra installation manual for more information about the installation.

2.9 Power Supply and Jumper Cables (optional)

1. Install the power supply (POS-77) according to the manufacturer's instructions.
2. Connect the jumper cables to the power supply's (POS-77) output terminals. Red (POS-88) to the positive output terminal and black (POS-89) to the negative output terminal.
3. Connect the banana plugs of the red and black jumper cables to the battery eliminator's (POS-52) red and black connectors.
4. Set the output of the Power Supply as follows:
 - Voltage: 3.8Vdc
 - Current: 2.0 Amps



3 Software

3.1 EMMA III

EMMA III contains software upgrades and tools that are required for servicing this phone. Installation and user manuals are accessible through CSPN web page.

1. Log onto CSPN. (<https://cspn.extranet.sonyericsson.com>)
2. Select "EMMA III" from the drop down menu.
3. Select "GO TO EMMA III HOME PAGE".
4. Select "Installation Guide" under Documentation and follow the directions for installation.

3.2 Labelmake II software

The LabelMake II software is an application that allows new labels to be printed with a Zebra printer.

1. Log onto CSPN. (<https://cspn.extranet.sonyericsson.com>.)
2. Select "LabelMake II" from the drop down menu.
3. Press "START LabelMake II" button and you will be directed to the LABELMAKE II client page.
4. Select "Launch Labelmake II client" and follow the installation instructions.



4 Revision History

Rev.	Date	Changes / Comments
A	2007-09-24	Initial Release