
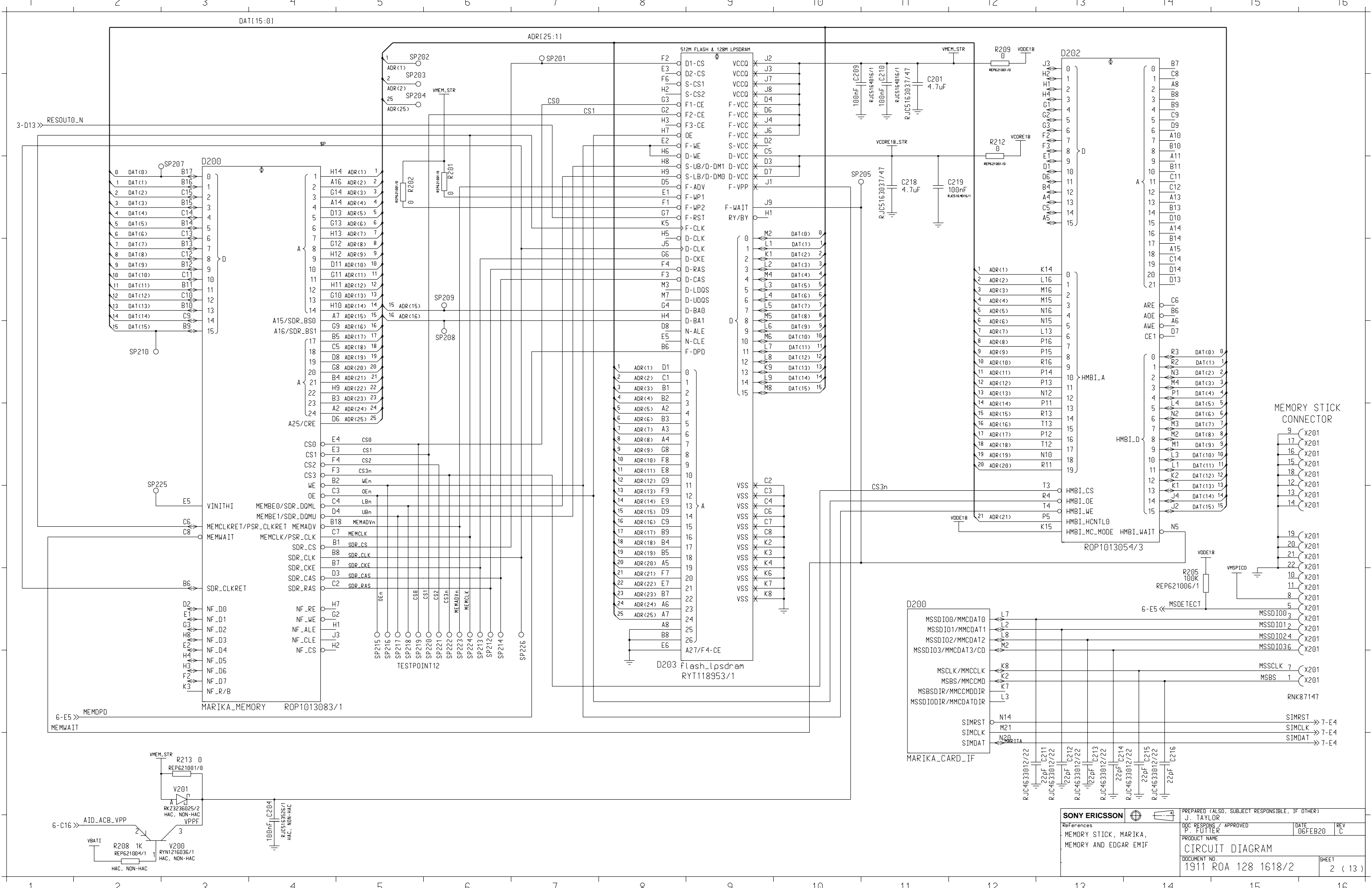
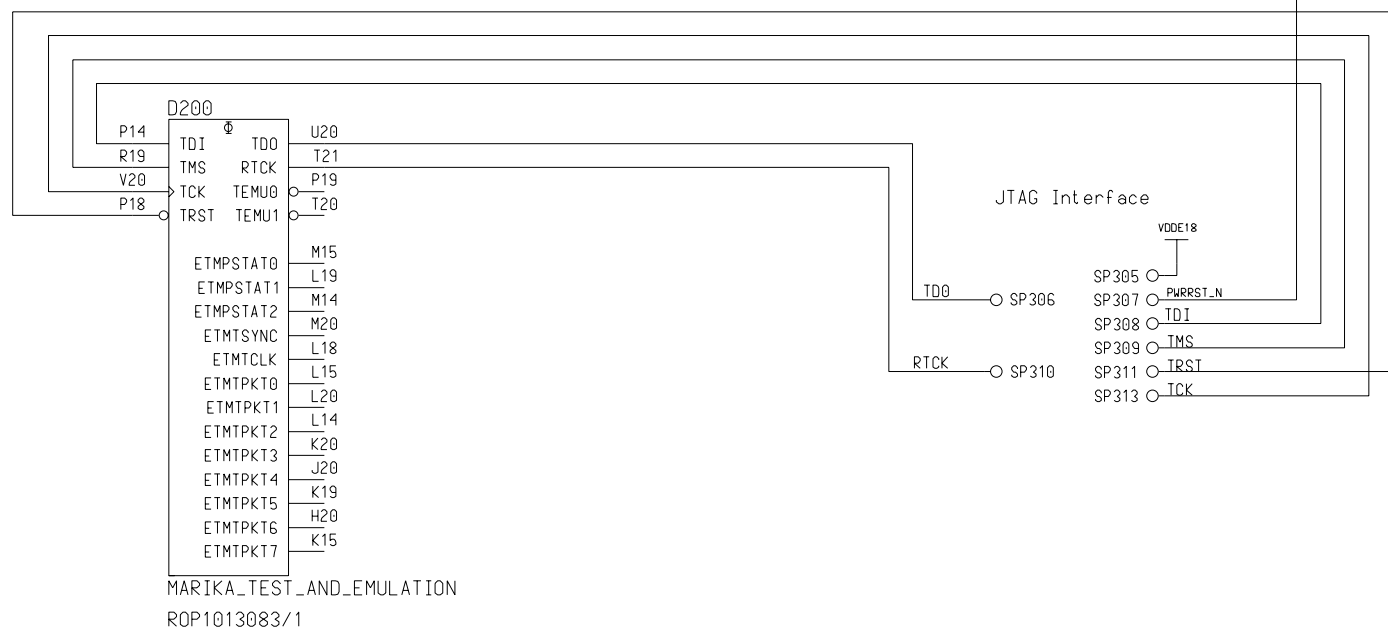
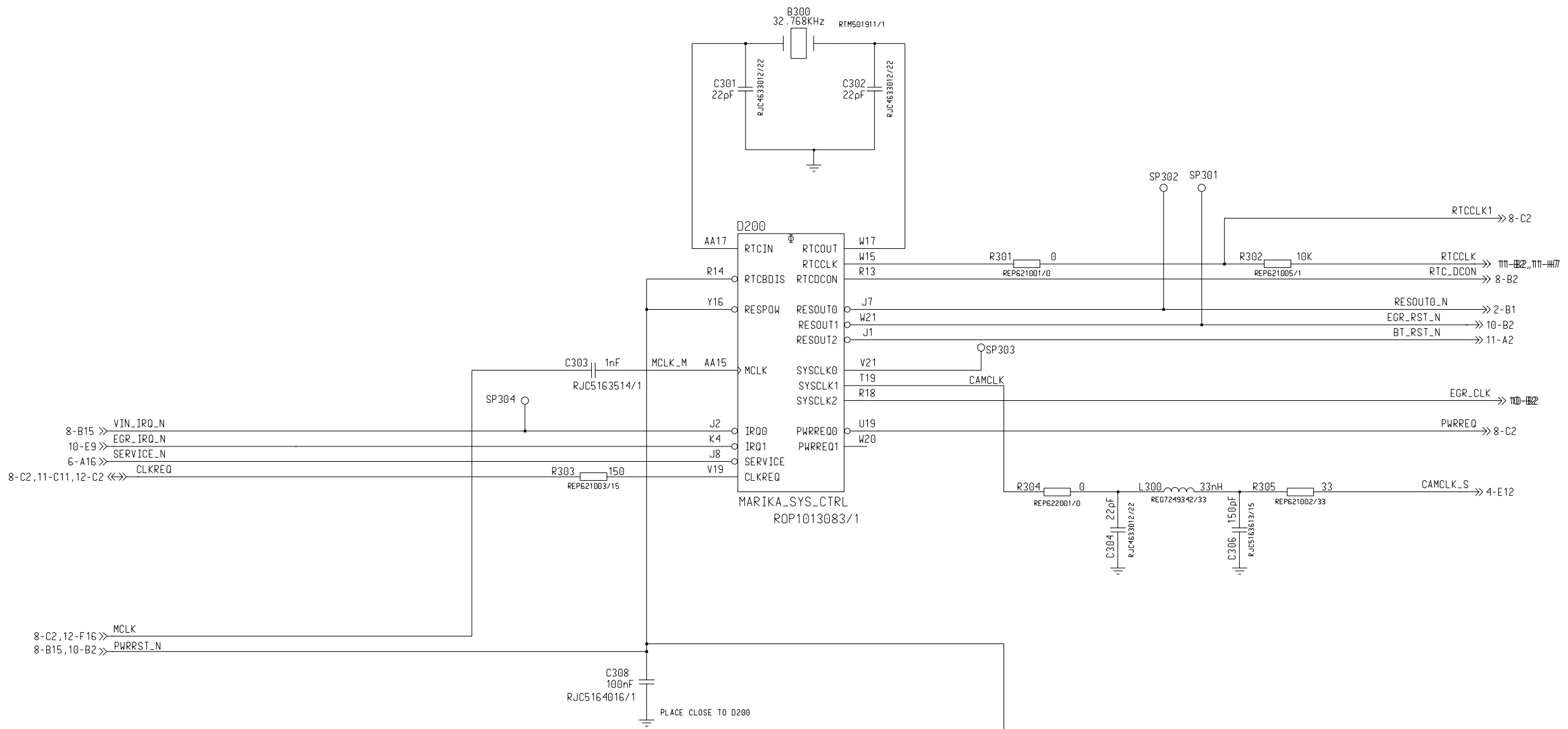


2. MEMORY STICK, MARIKA, MEMORY AND EDGAR EMIF.
3. MARIKA, CLOCKS, RESETS AND JTAG
4. MARIKA ,KEYPAD, LCD, CAMERA INTERFACE, AND M.R. SENSOR
5. KEYPAD MATRIX, BACKLIGHTING, ILLUMINATION AND ACCELEROMETER
6. MARIKA GPIO, USB, IRDA AND SYSTEM CONNECTOR
7. VINCENNE 2 AUDIO, ADC, DACS, TJATTE3 AND SIM
8. VINCENNE 2 SYSTEM POWER AND EXTERNAL REGULATORS
9. POWER AND GND
10. BB TO RF INTERFACE
11. FM RADIO AND BLUETOOTH
12. ANTENNA INTERFACE AND TRANSCEIVER
13. TX POWER AMPLIFIER AND PA CONTROLLER

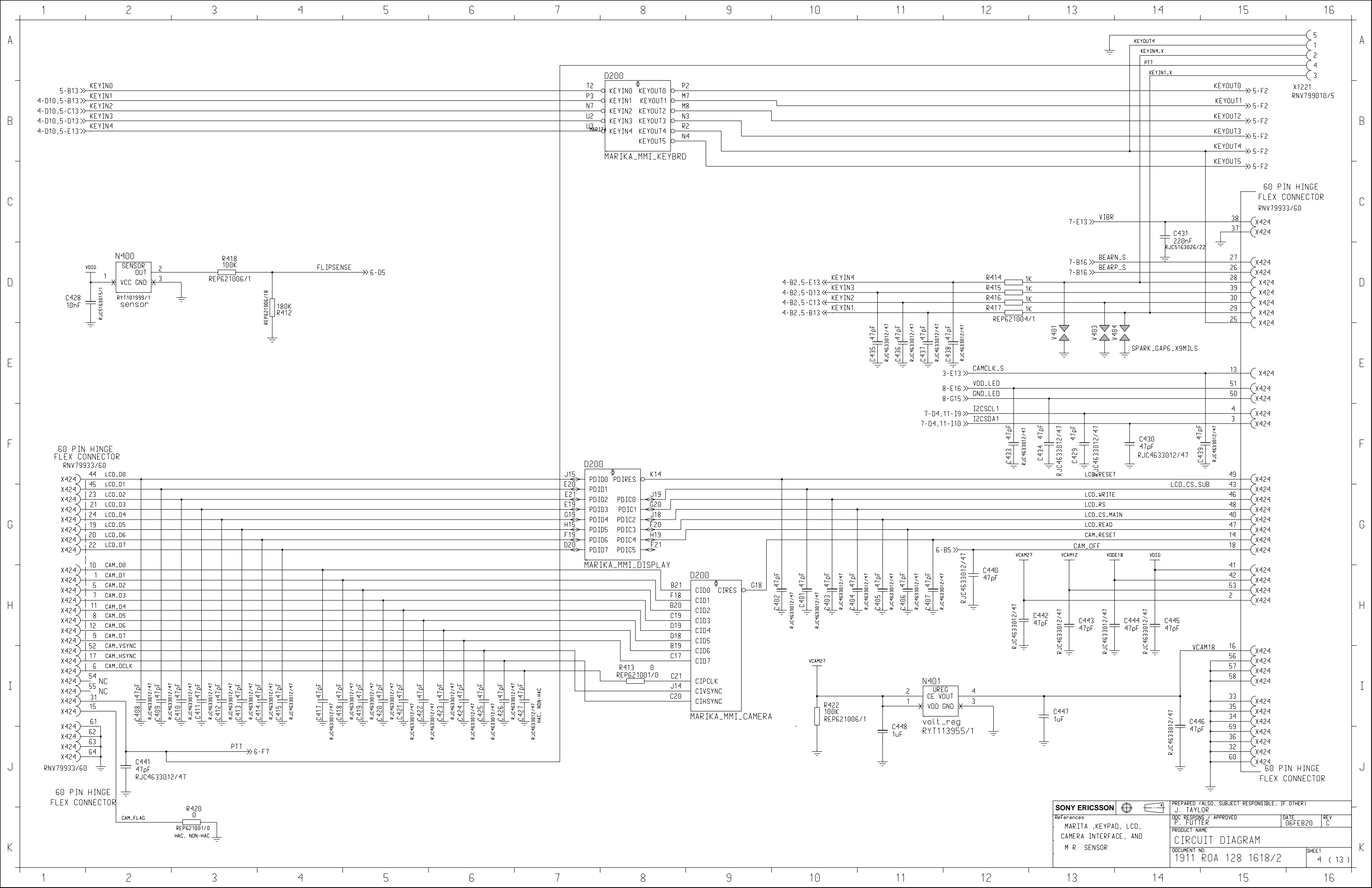
References				PREPARED (ALSO, SUBJECT RESPONSIBLE, IF OTHER) J. TAYLOR		
	QDC RESPONSE / APPROVED P. FUTER		DATE 06FEB20	REV C		
	PRODUCT NAME CIRCUIT DIAGRAM					
	DOCUMENT NO. 1911 ROA 128 1618/2				SHEET 1 (13)	



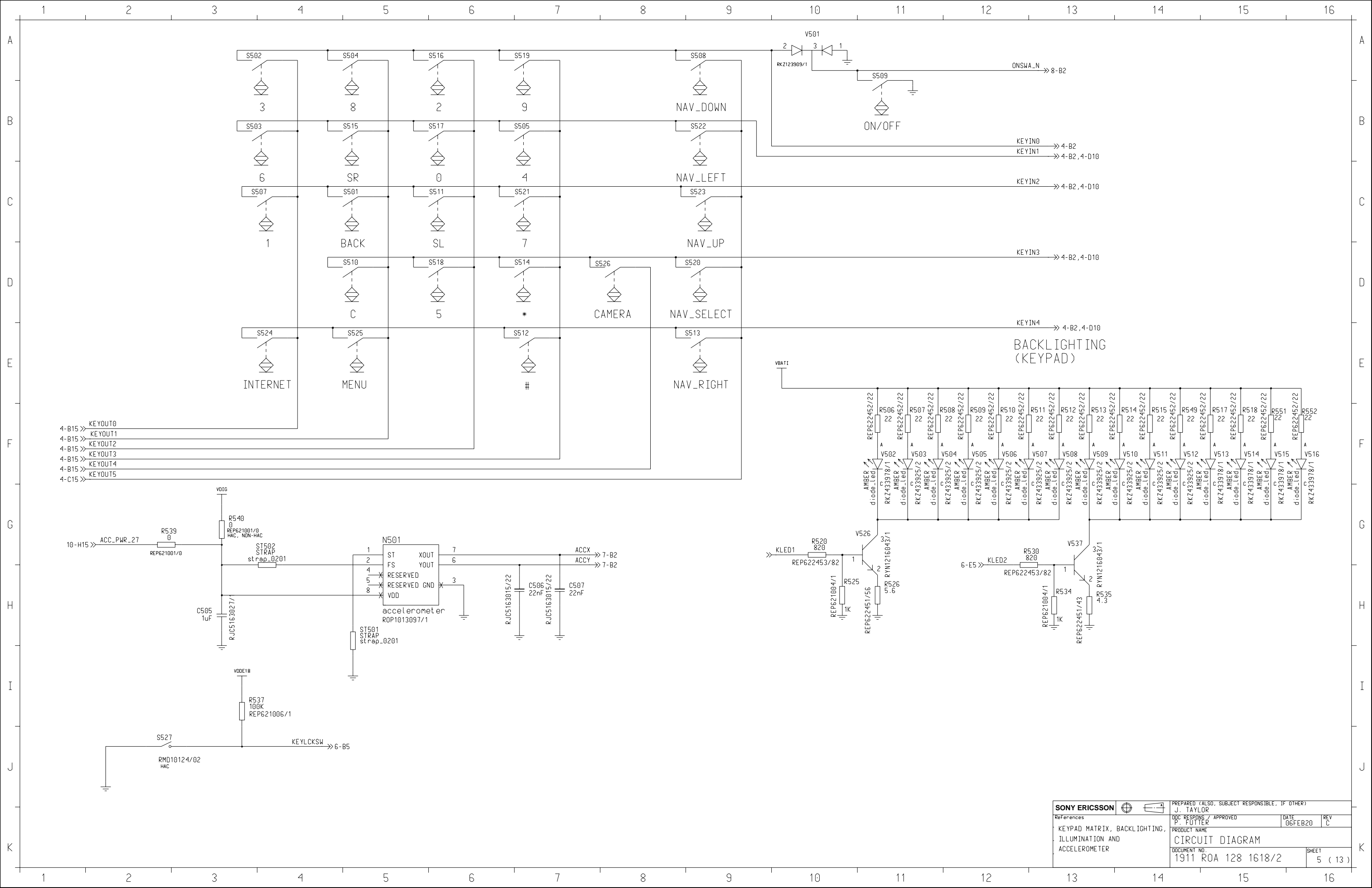
SONY ERICSSON		PREPARED (ALSO, SUBJECT RESPONSIBLE, IF OTHER) J. TAYLOR	
References MEMORY STICK, MARIKA, MEMORY AND EDGAR EMIF	QC RESPONSE / APPROVED P. FUTTER	DATE 06FEB20	REV C
PRODUCT NAME CIRCUIT DIAGRAM		DOCUMENT NO. 1911 ROA 128 1618/2	
SHEET 2 (13)			



SONY ERICSSON		PREPARED (ALSO, SUBJECT RESPONSIBLE, IF OTHER) J. TAYLOR	
References	QC RESPONSE / APPROVED	DATE	REV
MARIKA CLOCKS AND RESETS	P. FUTTER	06FEB20	C
PRODUCT NAME CIRCUIT DIAGRAM			
DOCUMENT NO. 1911 ROA 128 1618/2			SHEET 3 (13)

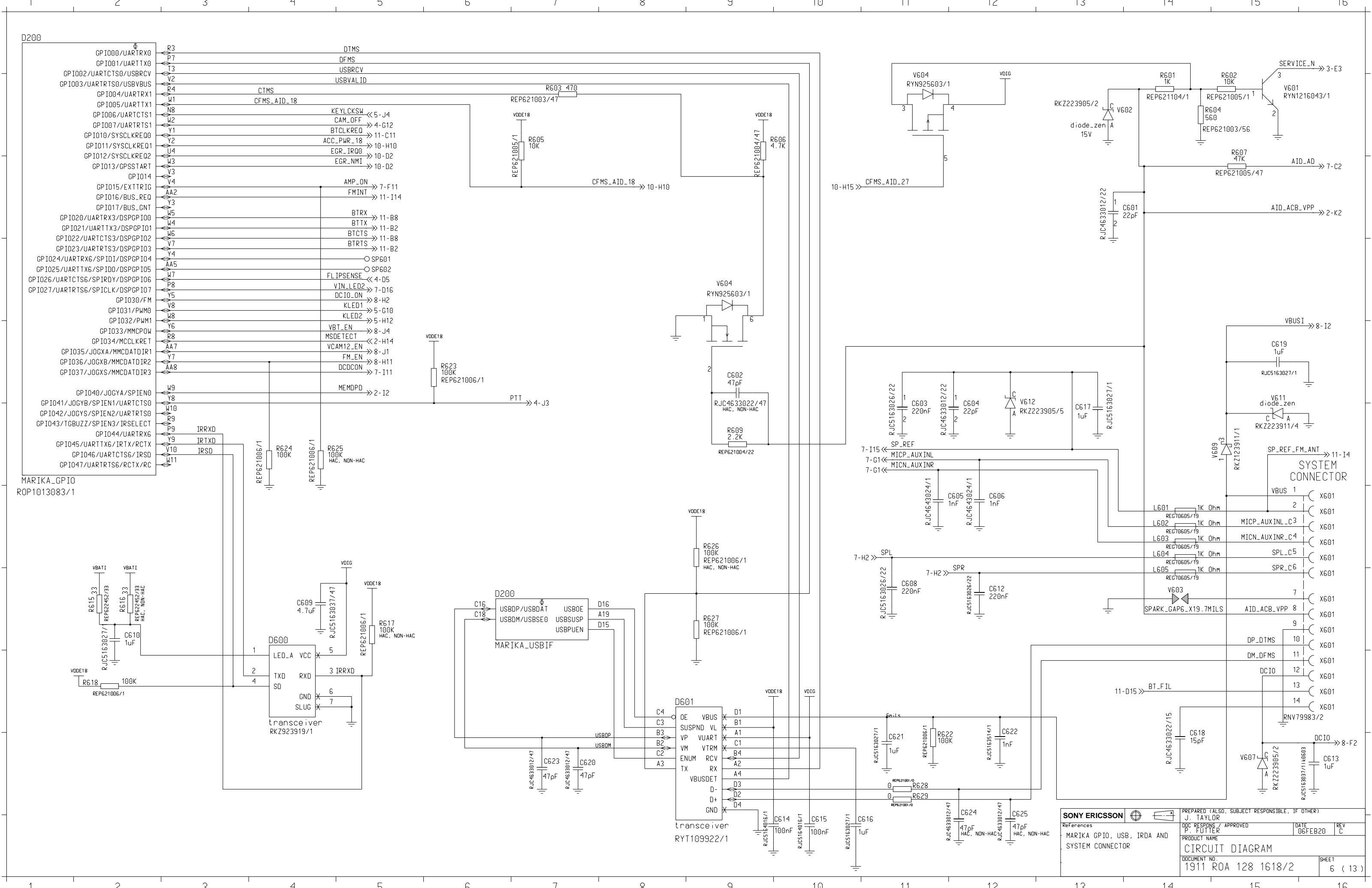


SONY ERICSSON		PREPARED (ALSO, SUBJECT RESPONSIBLE, IF OTHER) J. TAYLOR	
References MARITA ,KEYPAD, LCD, CAMERA INTERFACE, AND M R SENSOR	QC RESPNS / APPROVED P. FUTTER	DATE 06FEB20	REV C
PRODUCT NAME CIRCUIT DIAGRAM			
DOCUMENT NO. 1911 ROA 128 1618/2			SHEET 4 (13)

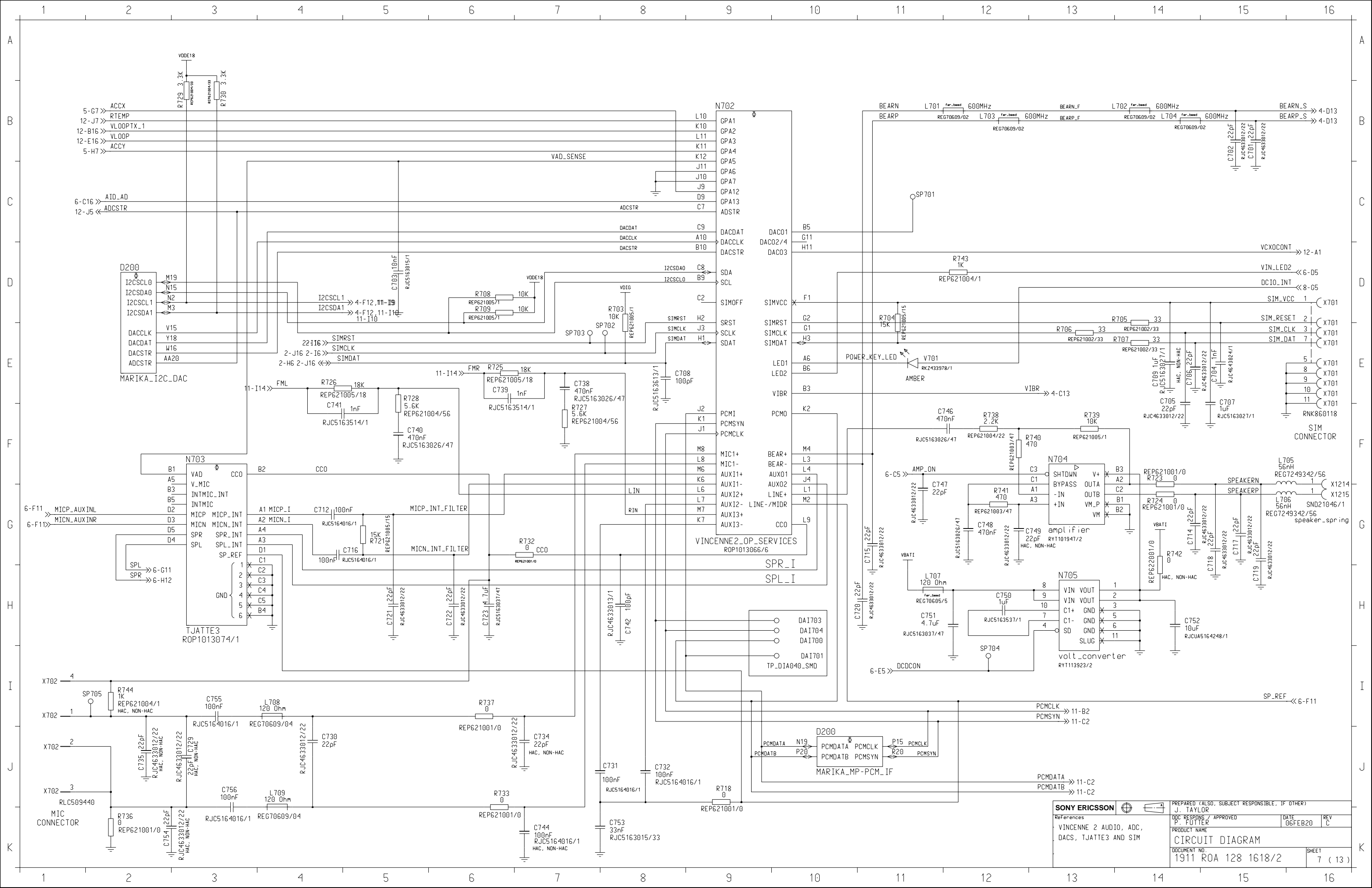


- 4-B15 >> KEYOUT0
- 4-B15 >> KEYOUT1
- 4-B15 >> KEYOUT2
- 4-B15 >> KEYOUT3
- 4-B15 >> KEYOUT4
- 4-C15 >> KEYOUT5

SONY ERICSSON		PREPARED (ALSO, SUBJECT RESPONSIBLE, IF OTHER) J. TAYLOR	
References	QC RESPONSE / APPROVED P. FUTTER	DATE 06FEB20	REV C
KEYPAD MATRIX, BACKLIGHTING, ILLUMINATION AND ACCELEROMETER			
PRODUCT NAME CIRCUIT DIAGRAM			SHEET 5 (13)
DOCUMENT NO. 1911 ROA 128 1618/2			

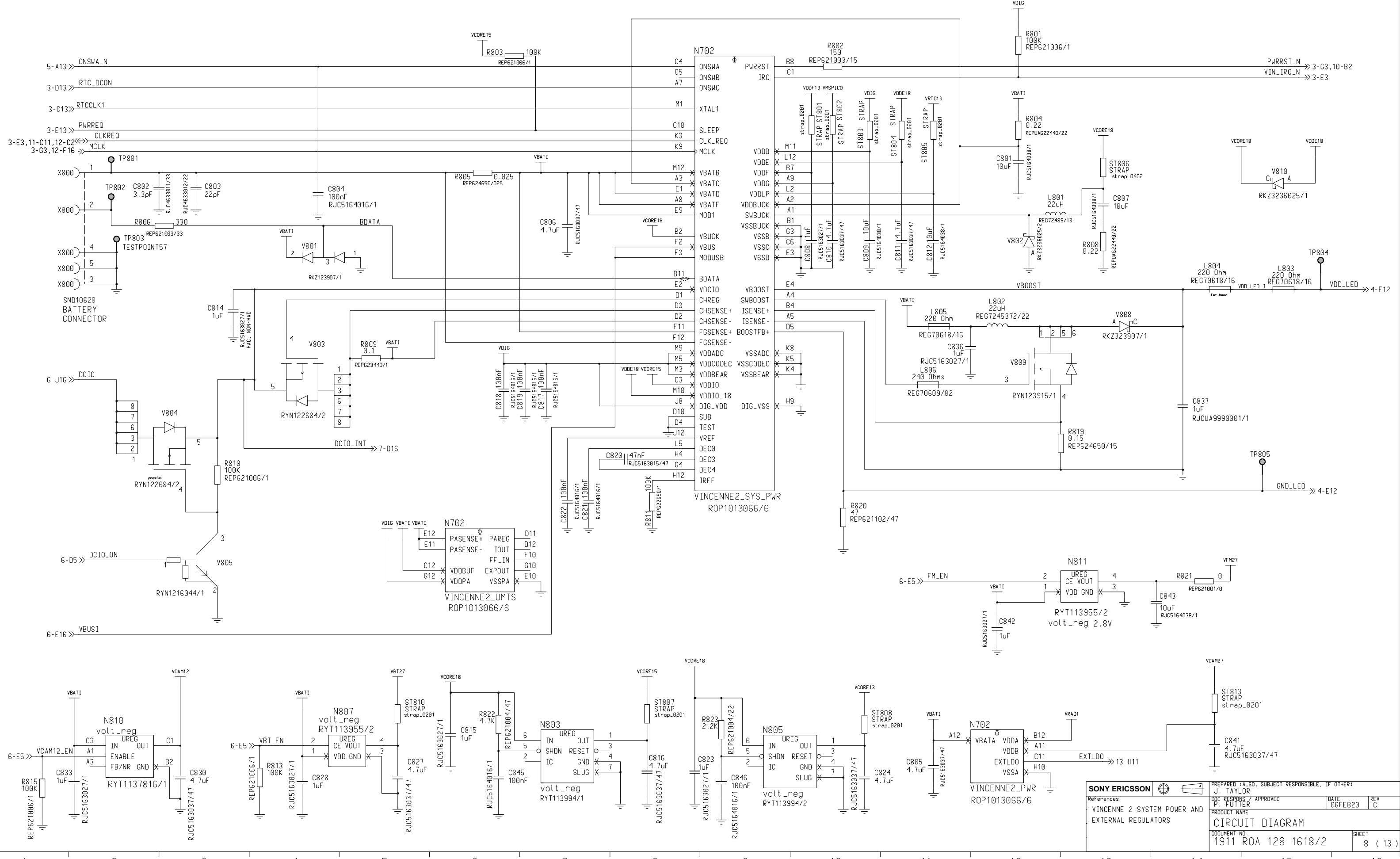


PREPARED (ALSO, SUBJECT RESPONSIBLE, IF OTHER) J. TAYLOR			
REFERENCES MARIKA GPIO, USB, IRDA AND SYSTEM CONNECTOR		QC RESPONSIBLE APPROVED P. FUTTER	
PRODUCT NAME CIRCUIT DIAGRAM		DATE 06FEB20	
DOCUMENT NO. 1911 ROA 128 1618/2		REV C	
SHEET 6 (13)			

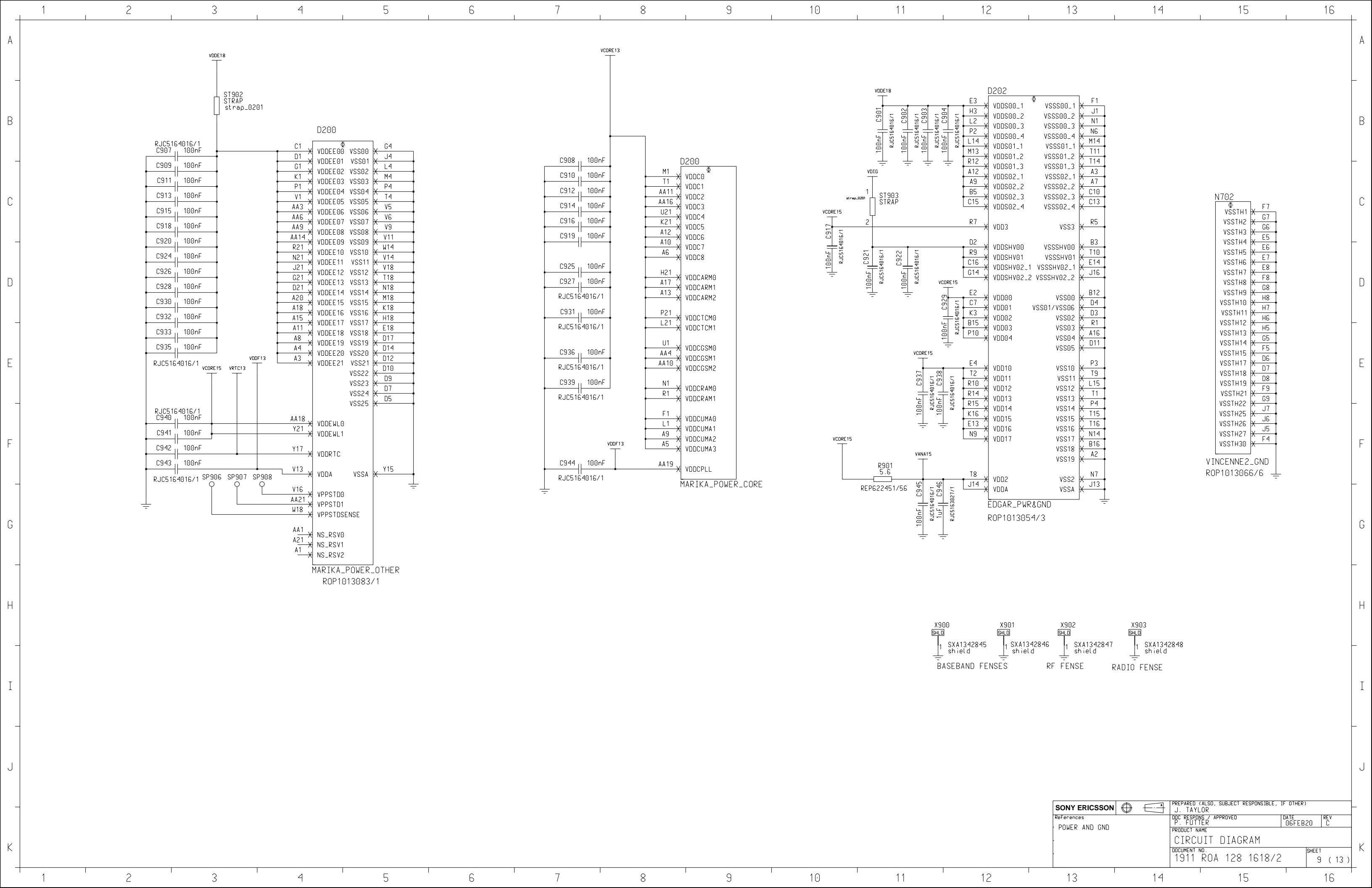


SONY ERICSSON		PREPARED (ALSO, SUBJECT RESPONSIBLE, IF OTHER) J. TAYLOR	
References VINCENNE 2 AUDIO, ADC, DACS, TJATTE3 AND SIM		QC RESPONDS / APPROVED P. FUTTER	
PRODUCT NAME CIRCUIT DIAGRAM		DATE 06FEB20	
DOCUMENT NO. 1911 ROA 128 1618/2		REV C	
SHEET 7 (13)			

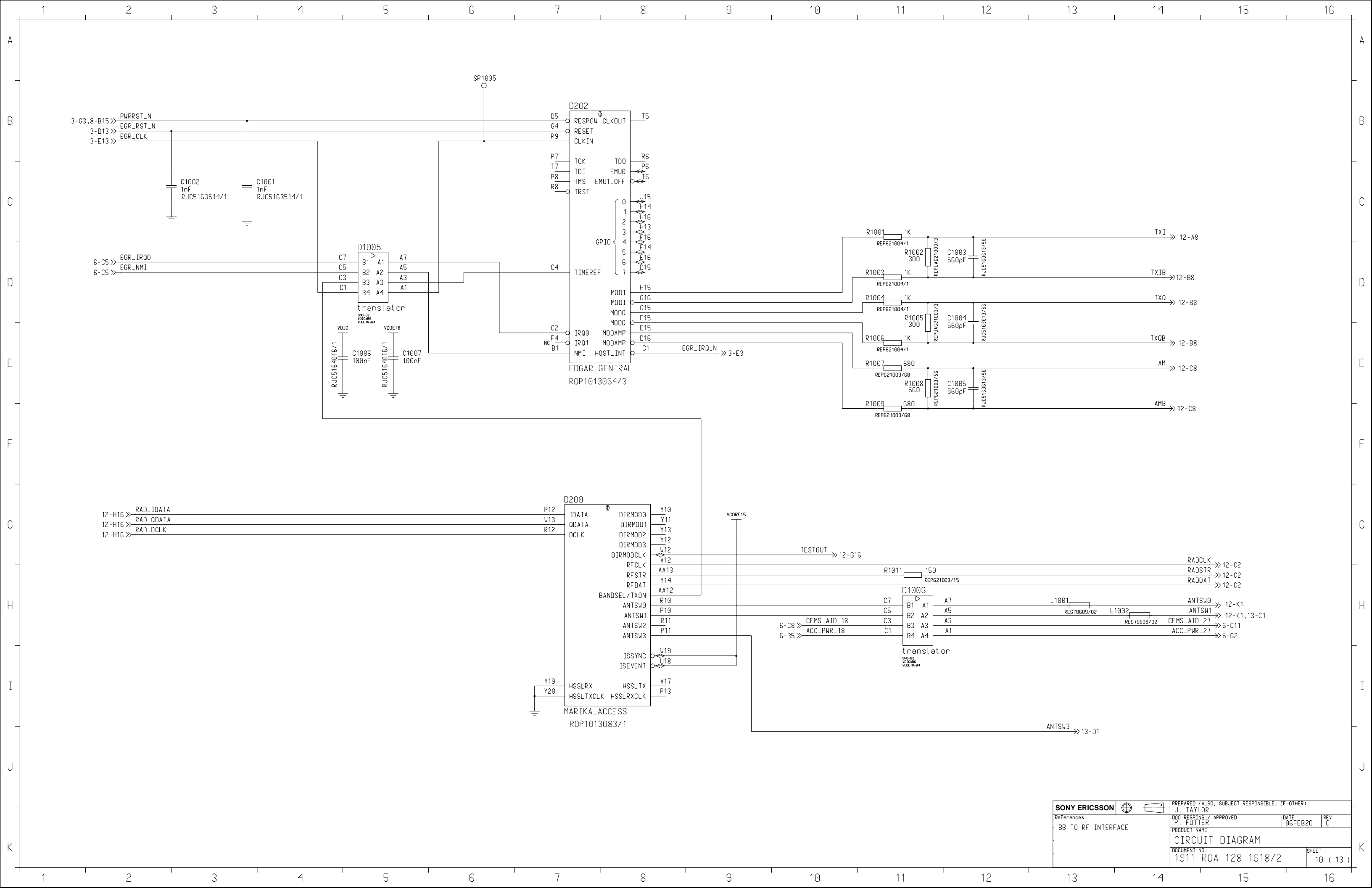
NOTE 1
 Change sense lines, pin D2 and D3 on N702, should be routed together and connected directly to pads for R802 (no current conducting via allowed between connection point and pad).
 FG sense lines, pin F11 and F12 on N702, should be routed together and connected directly to pads for R800 (no current conducting via allowed between connection point and pad).



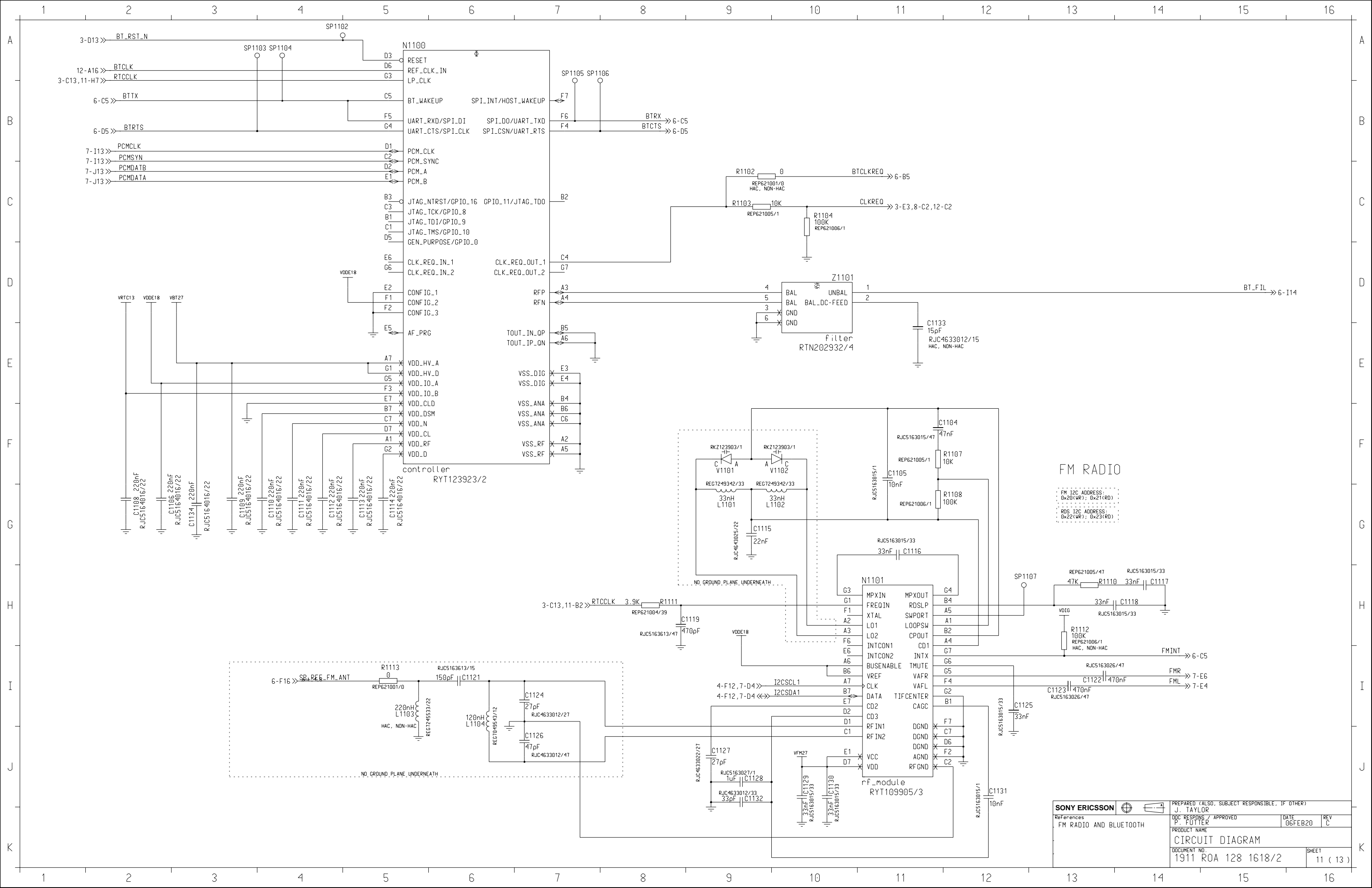
SONY ERICSSON		PREPARED (ALSO, SUBJECT RESPONSIBLE, IF OTHER) J. TAYLOR	
References VINCENTTE 2 SYSTEM POWER AND EXTERNAL REGULATORS	QC RESPONDED / APPROVED P. FUTTER	DATE 06FEB20	REV C
PRODUCT NAME CIRCUIT DIAGRAM			
DOCUMENT NO. 1911 ROA 128 1618/2			SHEET 8 (13)



SONY ERICSSON		PREPARED (ALSO, SUBJECT RESPONSIBLE, IF OTHER) J. TAYLOR	
References	POWER AND GND	QC RESPONSE / APPROVED P. FUTTER	DATE 06FEB20
PRODUCT NAME CIRCUIT DIAGRAM		REV C	
DOCUMENT NO. 1911 ROA 128 1618/2		SHEET 9 (13)	



SONY ERICSSON		PREPARED (ALSO, SUBJECT RESPONSIBLE, IF OTHER) J. TAYLOR	
References	QC RESPONSE / APPROVED P. FUTTER	DATE 06FEB20	REV C
PRODUCT NAME CIRCUIT DIAGRAM			
DOCUMENT NO. 1911 ROA 128 1618/2			SHEET 10 (13)

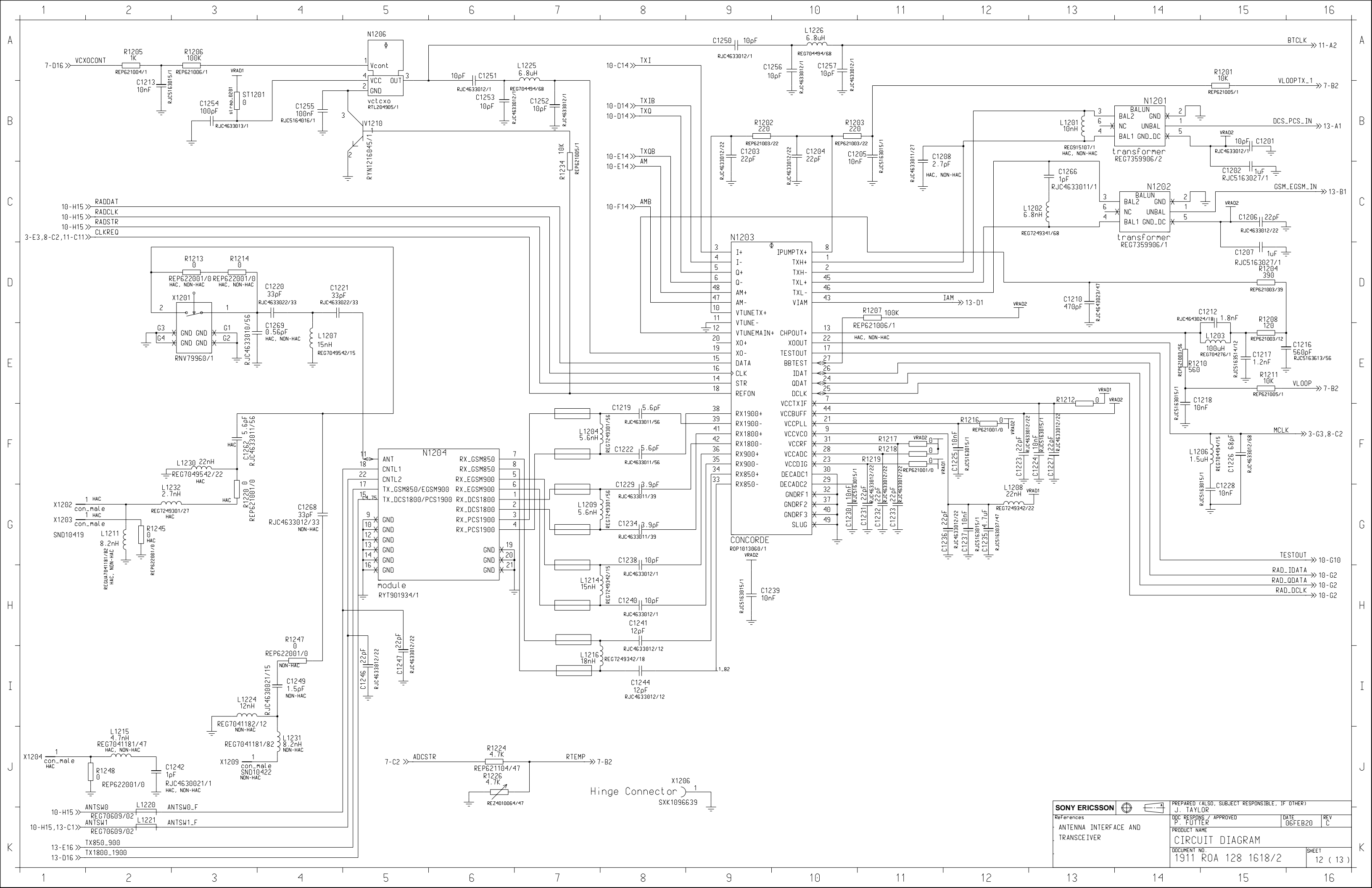


FM RADIO

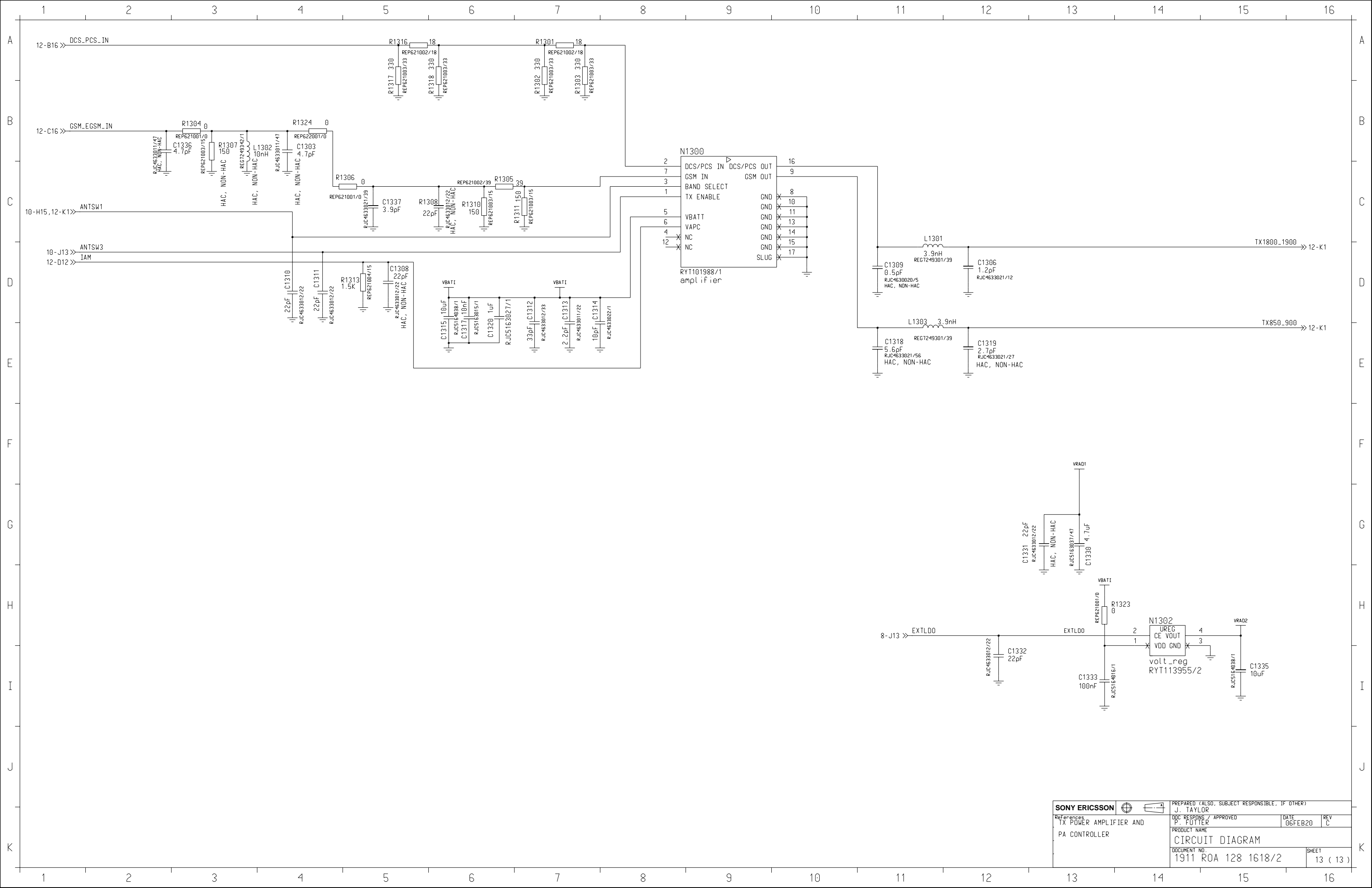
FM I2C ADDRESS:
0x20(WR); 0x21(RD)

RDS I2C ADDRESS:
0x22(WR); 0x23(RD)

SONY ERICSSON			
References FM RADIO AND BLUETOOTH			
PREPARED (ALSO, SUBJECT RESPONSIBLE, IF OTHER) J. TAYLOR			
QC RESPONSE / APPROVED P. FUTTER		DATE 06FEB20	REV C
PRODUCT NAME CIRCUIT DIAGRAM			
DOCUMENT NO. 1911 ROA 128 1618/2			SHEET 11 (13)



SONY ERICSSON		PREPARED (ALSO, SUBJECT RESPONSIBLE, IF OTHER)	
References	J. TAYLOR	DATE	REV
ANTENNA INTERFACE AND TRANSCEIVER	P. FUTTER	06FEB20	C
CIRCUIT DIAGRAM			
DOCUMENT NO.	1911 ROA 128 1618/2		SHEET
			12 (13)



SONY ERICSSON		PREPARED (ALSO, SUBJECT RESPONSIBLE, IF OTHER) J. TAYLOR	
References TX POWER AMPLIFIER AND PA CONTROLLER	QC RESPONSE / APPROVED P. FUTTER	DATE 06FEB20	REV C
PRODUCT NAME CIRCUIT DIAGRAM			
DOCUMENT NO. 1911 ROA 128 1618/2			SHEET 13 (13)