

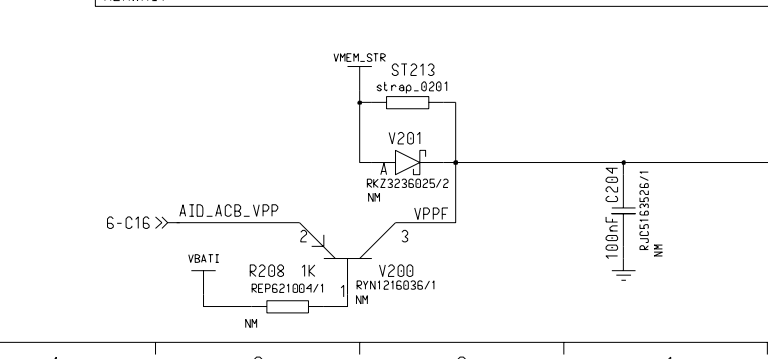
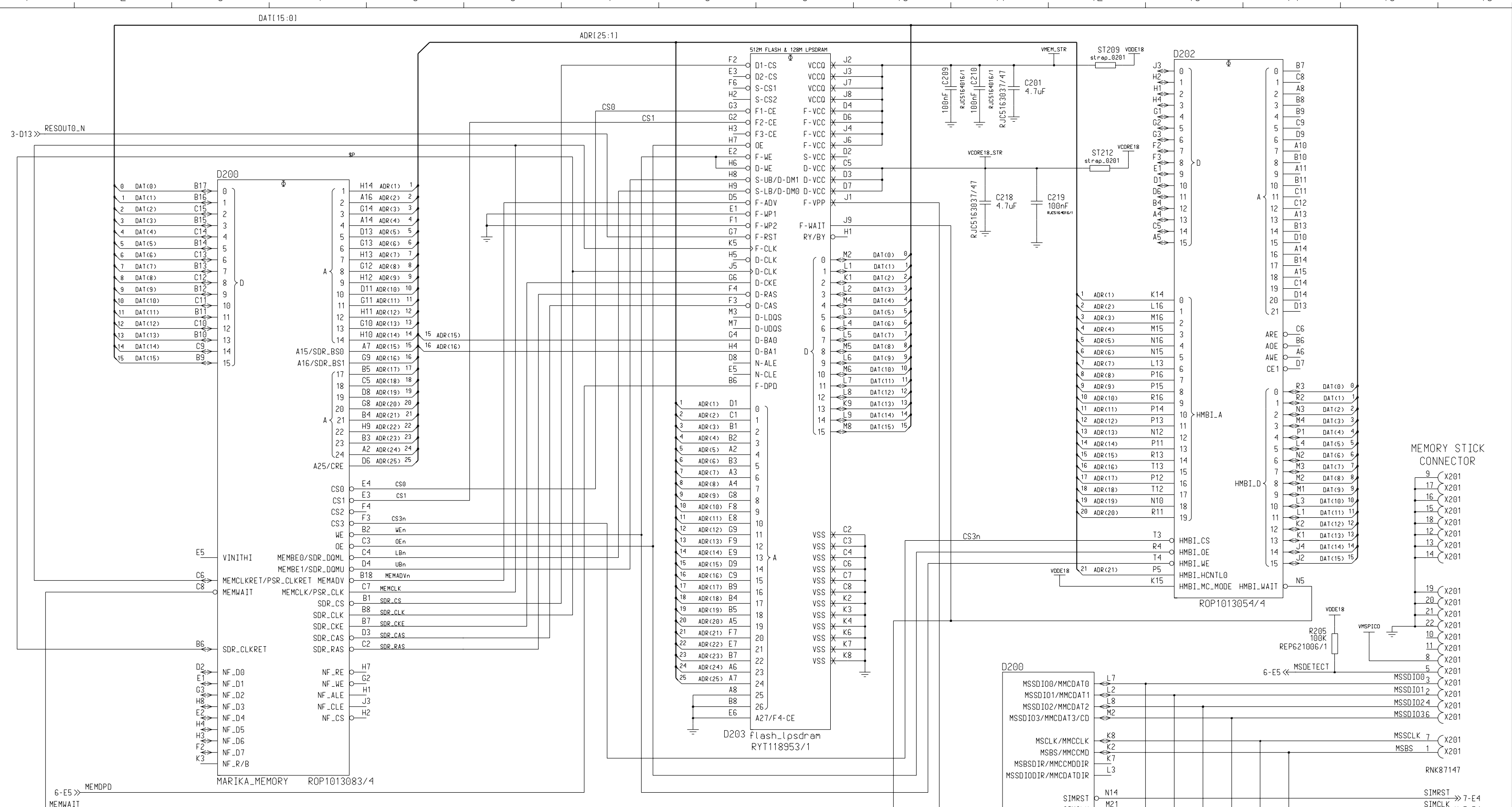
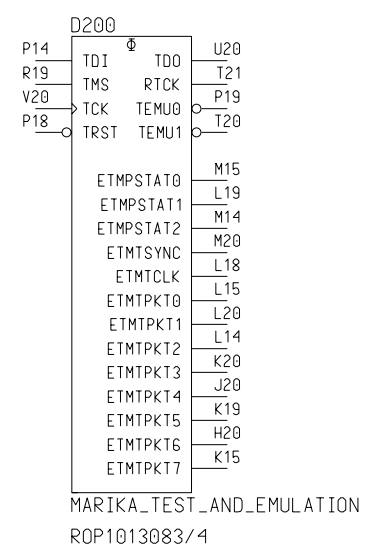
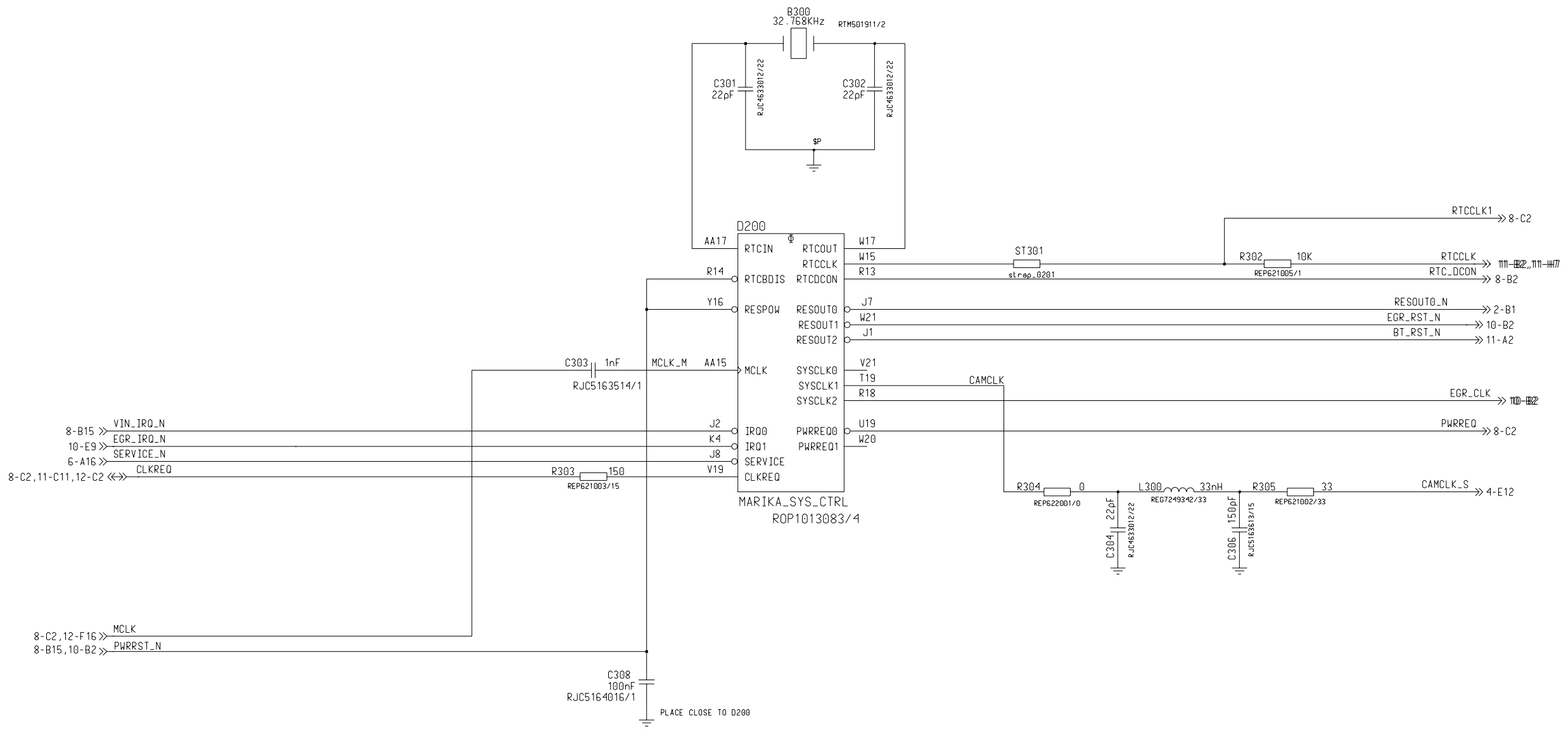


2. MEMORY STICK, MARIKA, MEMORY AND EDGAR EMIF.
3. MARIKA, CLOCKS, RESETS AND JTAG
4. MARIKA ,KEYPAD, LCD, CAMERA INTERFACE, AND M.R. SENSOR
5. KEYPAD MATRIX, BACKLIGHTING, ILLUMINATION AND ACCELEROMETER
6. MARIKA GPIO, USB, IRDA AND SYSTEM CONNECTOR
7. VINCENNE 2 AUDIO, ADC, DACS, TJATTE3 AND SIM
8. VINCENNE 2 SYSTEM POWER AND EXTERNAL REGULATORS
9. POWER AND GND
10. BB TO RF INTERFACE
11. FM RADIO AND BLUETOOTH
12. ANTENNA INTERFACE AND TRANSCEIVER
13. TX POWER AMPLIFIER AND PA CONTROLLER

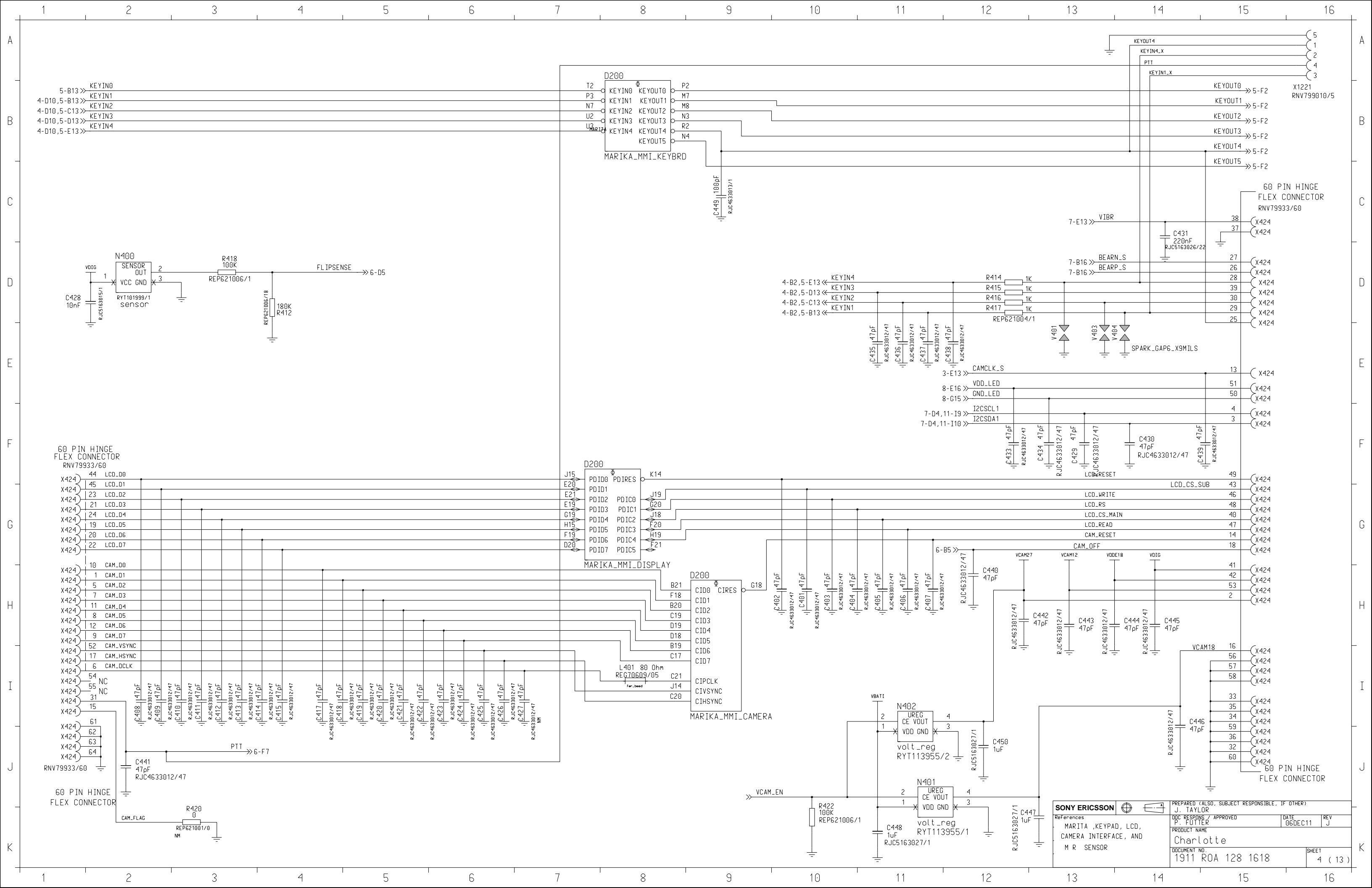
References	 		PREPARED (ALSO, SUBJECT RESPONSIBLE, IF OTHER) J. TAYLOR	
	QDC RESPONSE / APPROVED P. FUTER		DATE 06DEC11	REV J
	PRODUCT NAME Charlotte			
	DOCUMENT NO. 1911 ROA 128 1618			SHEET 1 ( 13 )



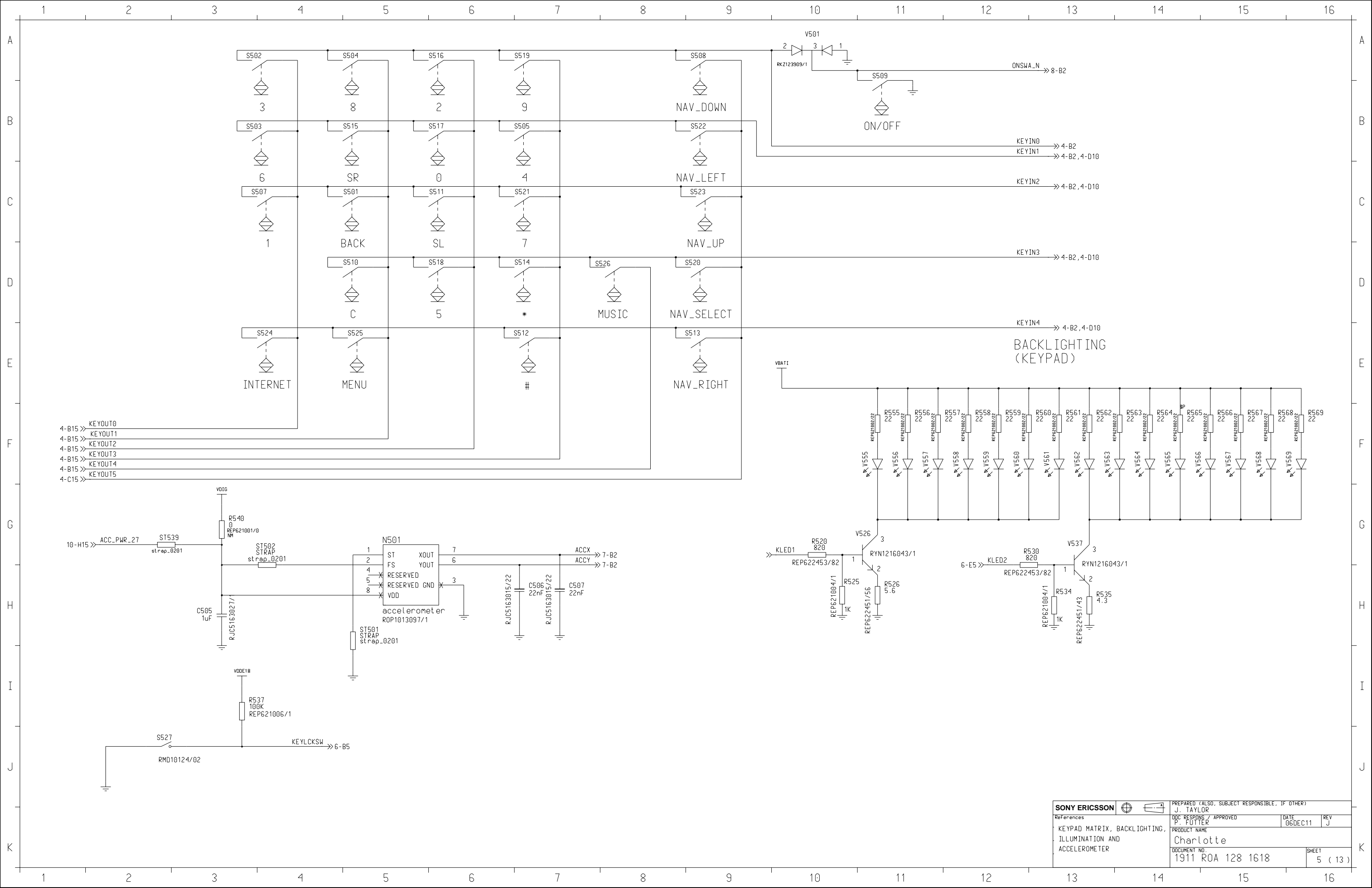
<b>SONY ERICSSON</b>		PREPARED (ALSO, SUBJECT RESPONSIBLE, IF OTHER)	
References	J. TAYLOR	DATE	REV
MEMORY STICK, MARIKA, MEMORY AND EDGAR EMIF	P. FUTTER	06DEC11	J
PRODUCT NAME		DOCUMENT NO.	
Charlotte		1911 ROA 128 1618	
SHEET		2 ( 13 )	



<b>SONY ERICSSON</b>		PREPARED (ALSO, SUBJECT RESPONSIBLE, IF OTHER) J. TAYLOR	
References	QC RESPONSE / APPROVED	DATE	REV
MARIKA CLOCKS AND RESETS	P. FUTTER	06DEC11	J
PRODUCT NAME Charlotte			
DOCUMENT NO. 1911 ROA 128 1618			SHEET 3 ( 13 )



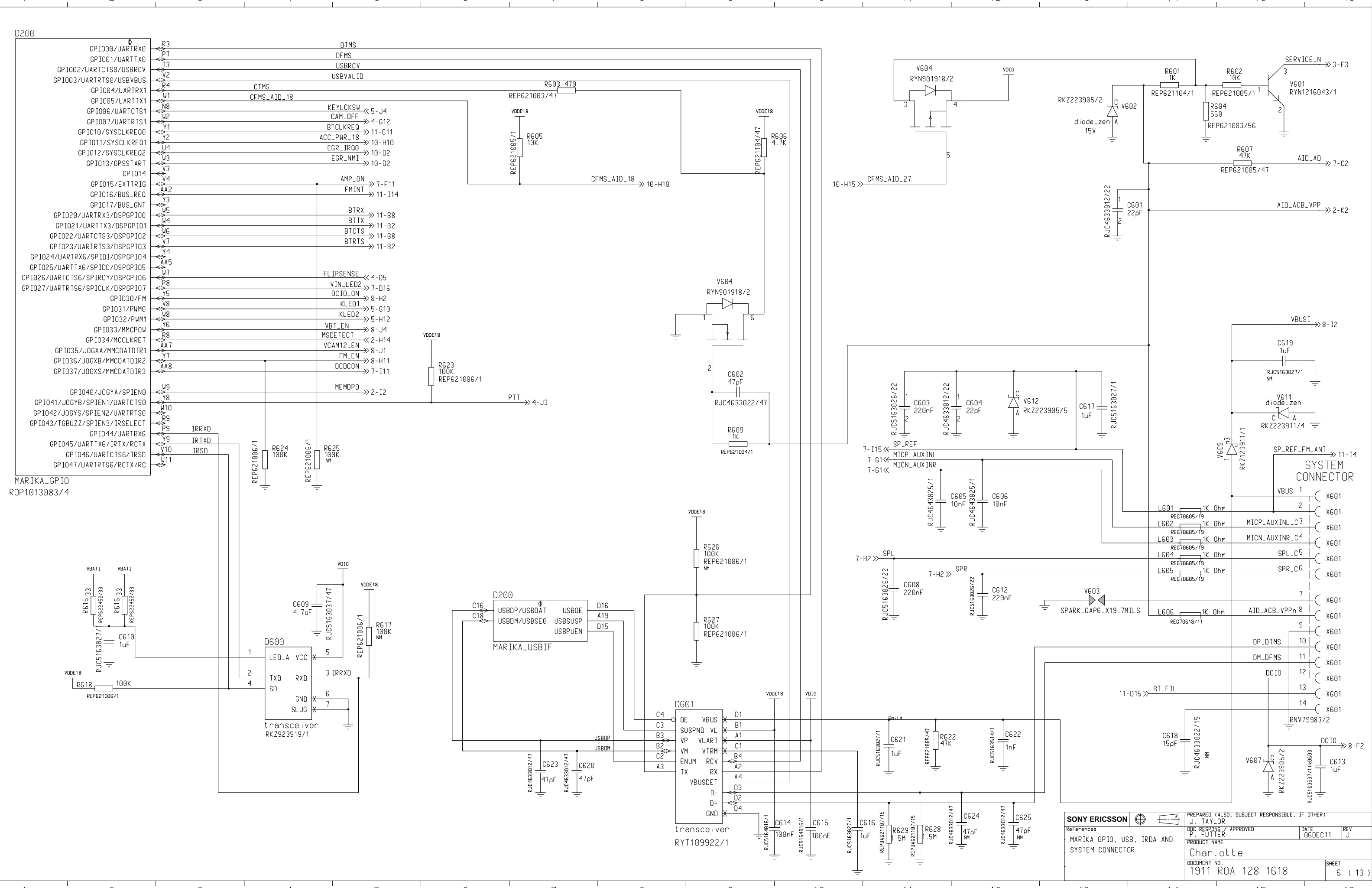
<b>SONY ERICSSON</b>			
References MARITA ,KEYPAD, LCD, CAMERA INTERFACE, AND M R SENSOR			
PREPARED (ALSO, SUBJECT RESPONSIBLE, IF OTHER) J. TAYLOR		DATE 06DEC11	
APPROVED P. FUTTER		REV J	
PRODUCT NAME Charlotte			
DOCUMENT NO. 1911 ROA 128 1618			SHEET 4 ( 13 )



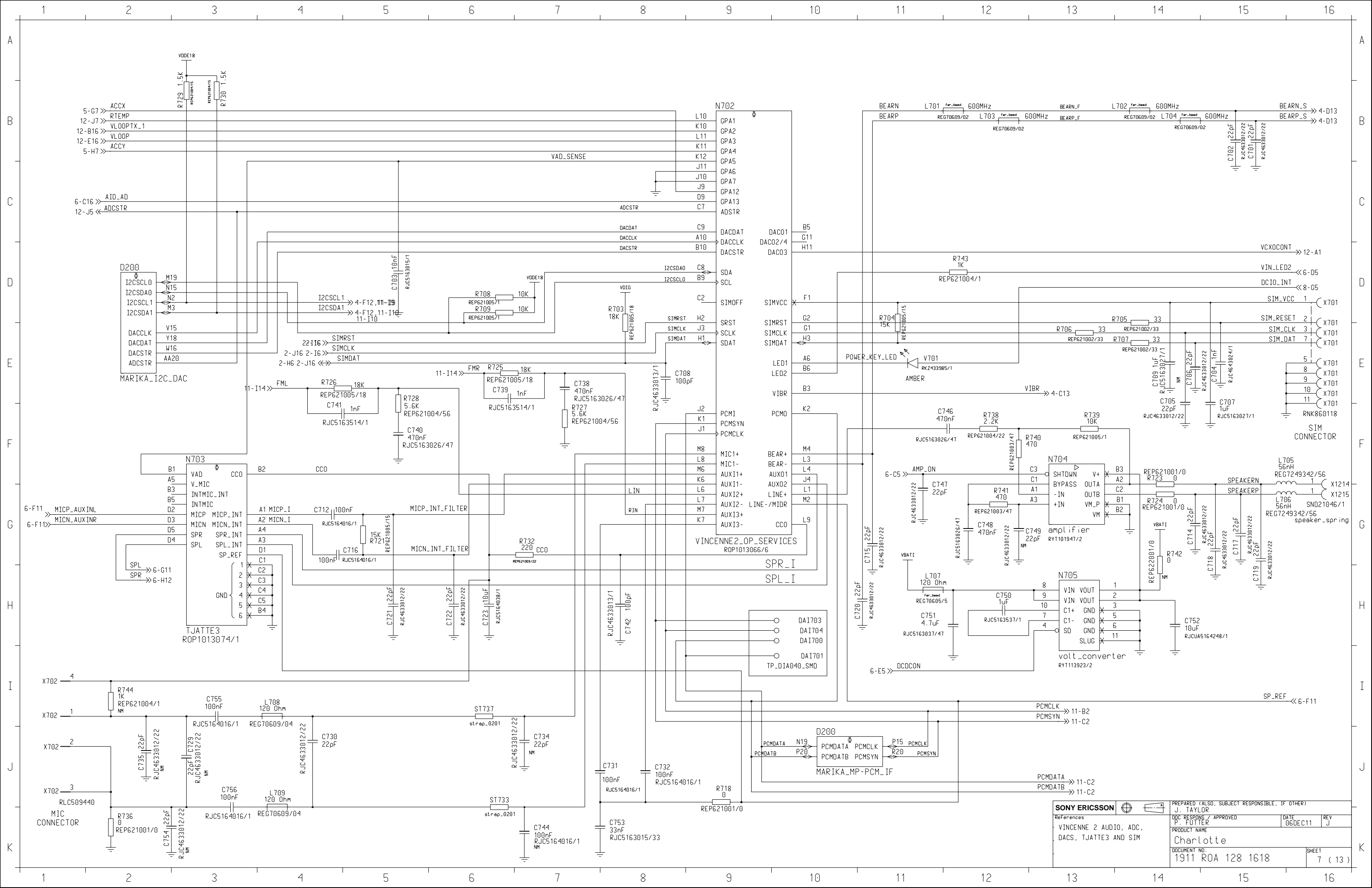
- 4-B15 >> KEYOUT0
- 4-B15 >> KEYOUT1
- 4-B15 >> KEYOUT2
- 4-B15 >> KEYOUT3
- 4-B15 >> KEYOUT4
- 4-C15 >> KEYOUT5

BACKLIGHTING  
(KEYPAD)

<b>SONY ERICSSON</b>		PREPARED (ALSO, SUBJECT RESPONSIBLE, IF OTHER) J. TAYLOR	
References	QC RESPONSE / APPROVED P. FUTTER	DATE 06DEC11	REV J
KEYPAD MATRIX, BACKLIGHTING, ILLUMINATION AND ACCELEROMETER		PRODUCT NAME Charlotte	
DOCUMENT NO. 1911 ROA 128 1618		SHEET 5 ( 13 )	

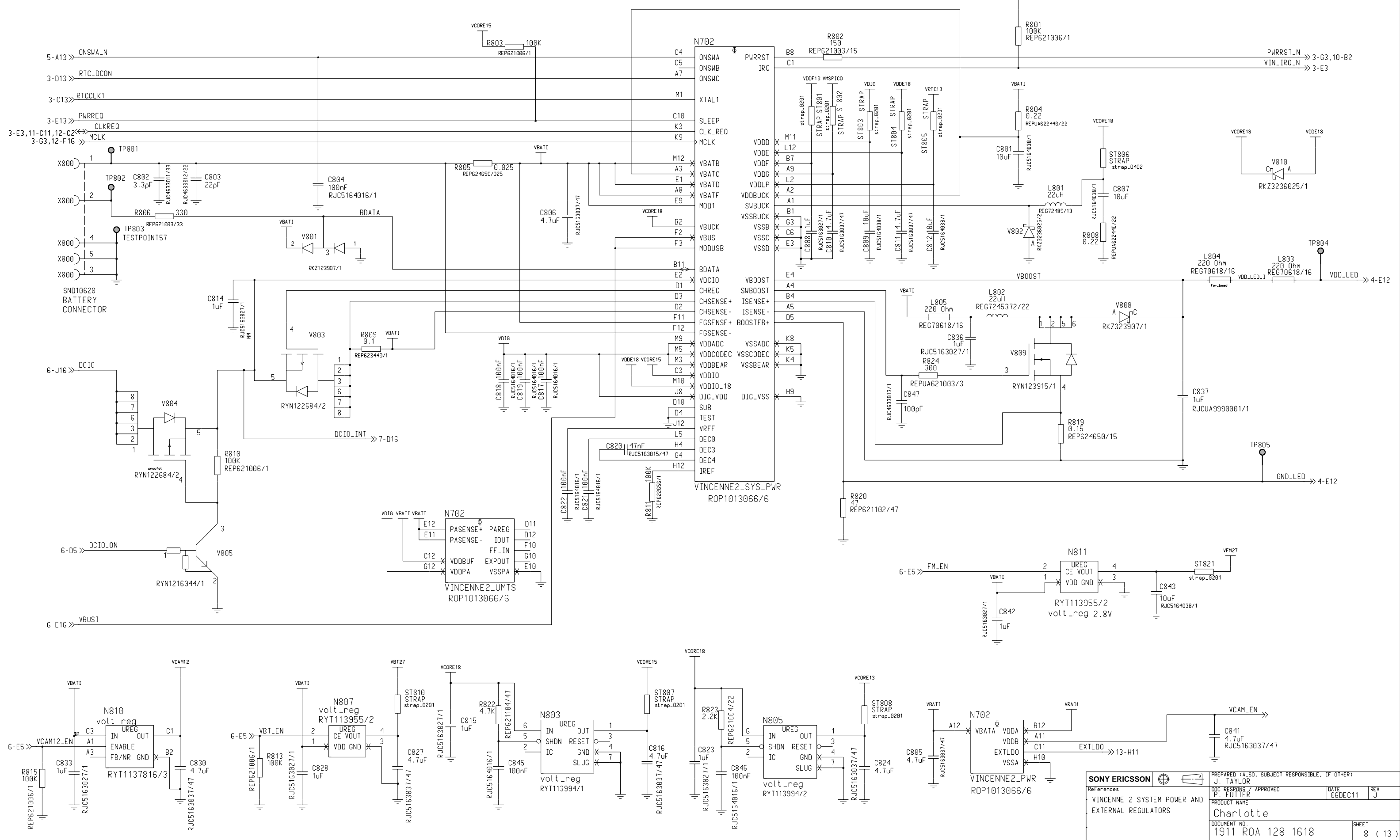


<b>SONY ERICSSON</b>		PREPARED (ALSO, SUBJECT RESPONSIBLE, IF OTHER)	
References		J. TAYLOR	
MARIKA GPIO, USB, IRDA AND SYSTEM CONNECTOR		QC RESPNS / APPROVED	
PRODUCT NAME		DATE 06DEC11	
Charlotte		REV J	
DOCUMENT NO. 1911 ROA 128 1618		SHEET 6 ( 13 )	



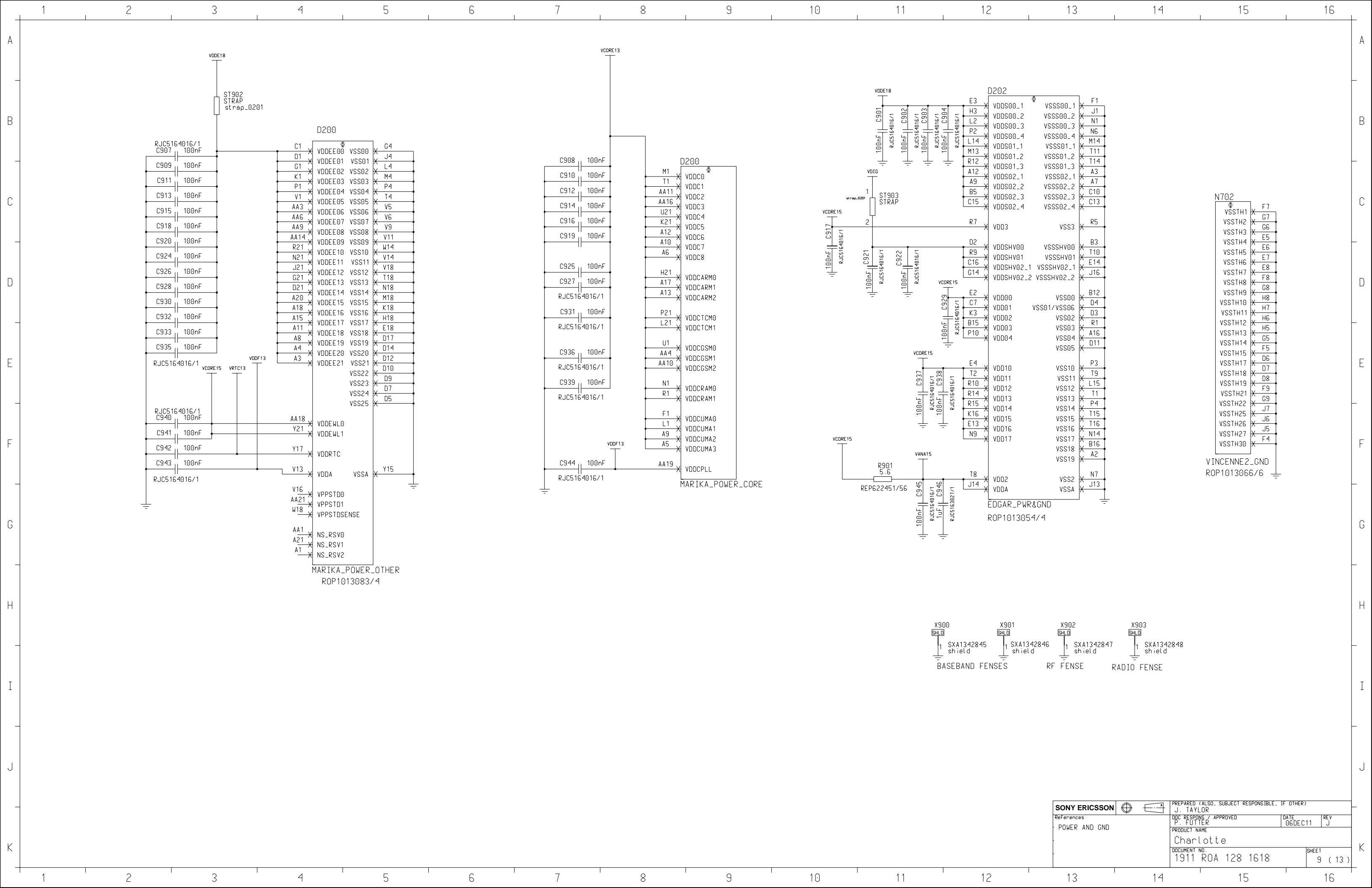
<b>SONY ERICSSON</b>		PREPARED (ALSO, SUBJECT RESPONSIBLE, IF OTHER)	
References		J. TAYLOR	
VINCENNE 2 AUDIO, ADC, DACS, TJATTE3 AND SIM		QC RESPONSE / APPROVED	
PRODUCT NAME		DATE 06DEC11	
Charlotte		REV J	
DOCUMENT NO. 1911 ROA 128 1618		SHEET 7 ( 13 )	

NOTE 1  
 Change sense lines, pin D2 and D3 on N702, should be routed together and connected directly to pads for R802 (no current conducting via allowed between connection point and pad).  
 FG sense lines, pin F11 and F12 on N702, should be routed together and connected directly to pads for R800 (no current conducting via allowed between connection point and pad).

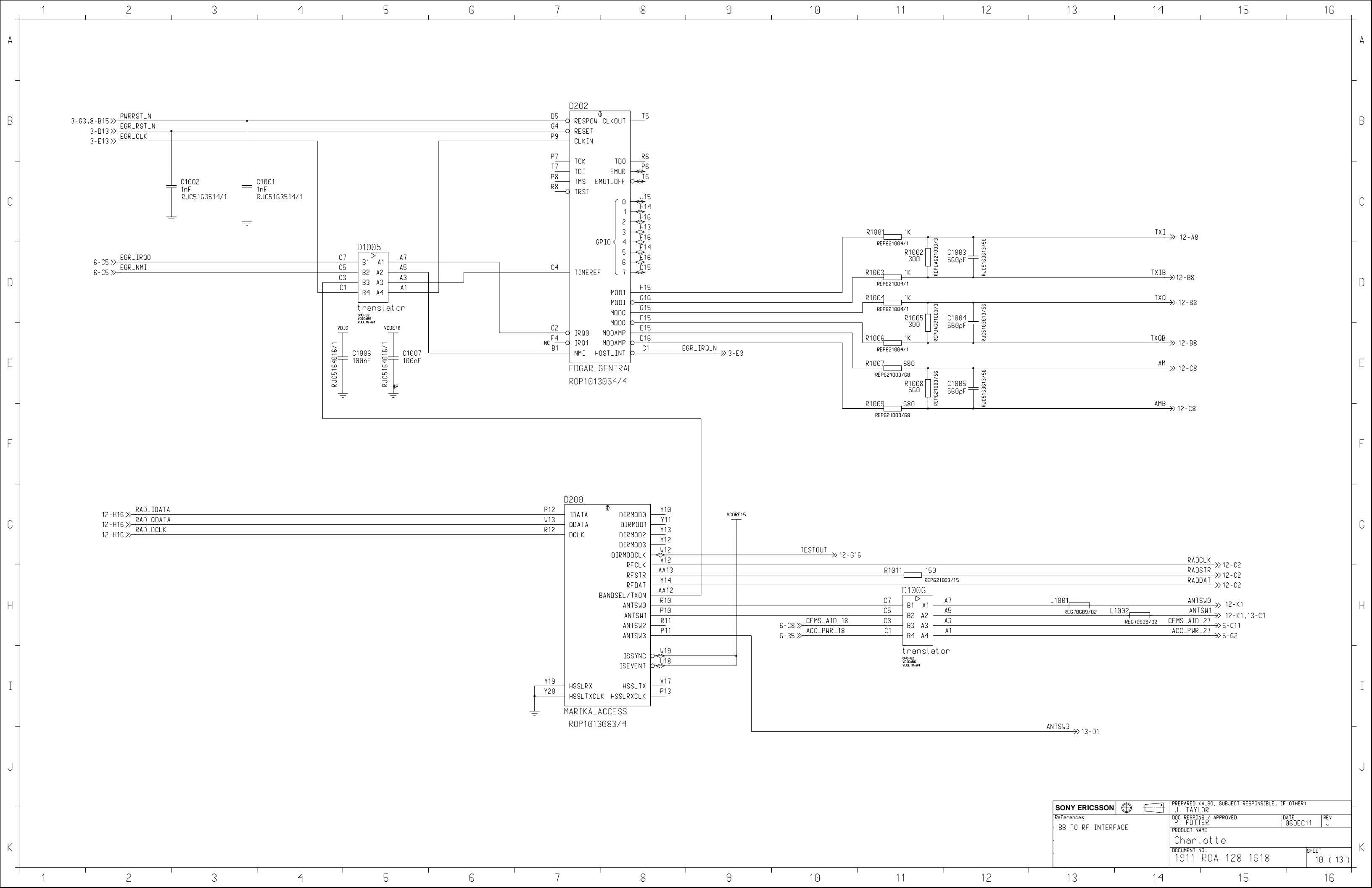


<b>SONY ERICSSON</b>		PREPARED (ALSO, SUBJECT RESPONSIBLE, IF OTHER)	
References	J. TAYLOR	DATE	REV
VINCENNE 2 SYSTEM POWER AND EXTERNAL REGULATORS	P. FUTTER	06DEC11	J
PRODUCT NAME			
Charlotte			
DOCUMENT NO.			SHEET
1911 ROA 128 1618			8 ( 13 )

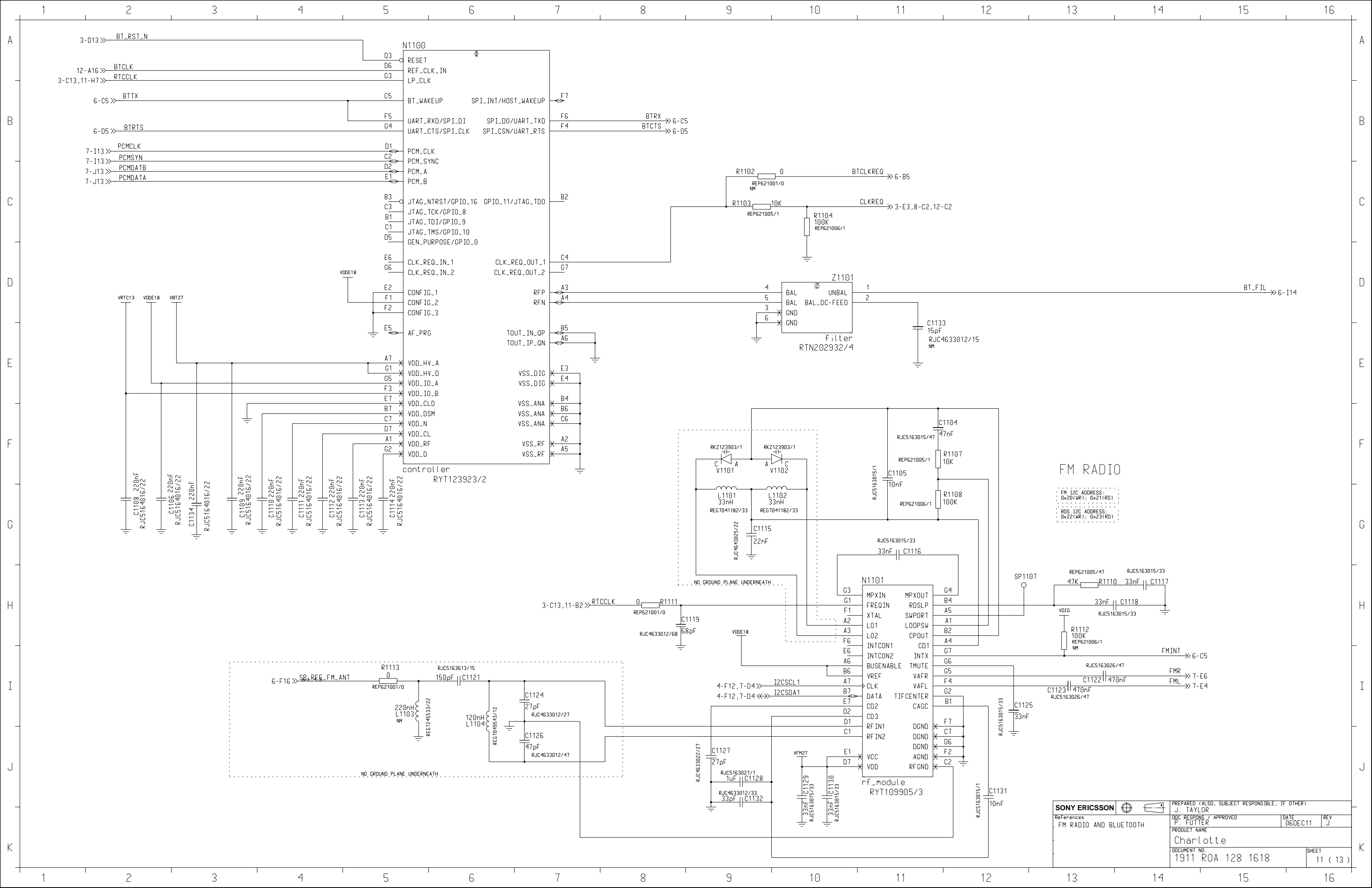




<b>SONY ERICSSON</b>		PREPARED (ALSO, SUBJECT RESPONSIBLE, IF OTHER)	
References		J. TAYLOR	
POWER AND GND		QC RESPONSE / APPROVED	DATE
		P. FUTTER	06DEC11
		PRODUCT NAME	REV
		Charlotte	J
		DOCUMENT NO.	SHEET
		1911 ROA 128 1618	9 ( 13 )



<b>SONY ERICSSON</b>		PREPARED (ALSO, SUBJECT RESPONSIBLE, IF OTHER) J. TAYLOR	
		QDC RESPONSE / APPROVED P. FUTTER	DATE 06DEC11
BB TO RF INTERFACE		REV J	
PRODUCT NAME Charlotte			
DOCUMENT NO. 1911 ROA 128 1618			SHEET 10 ( 13 )



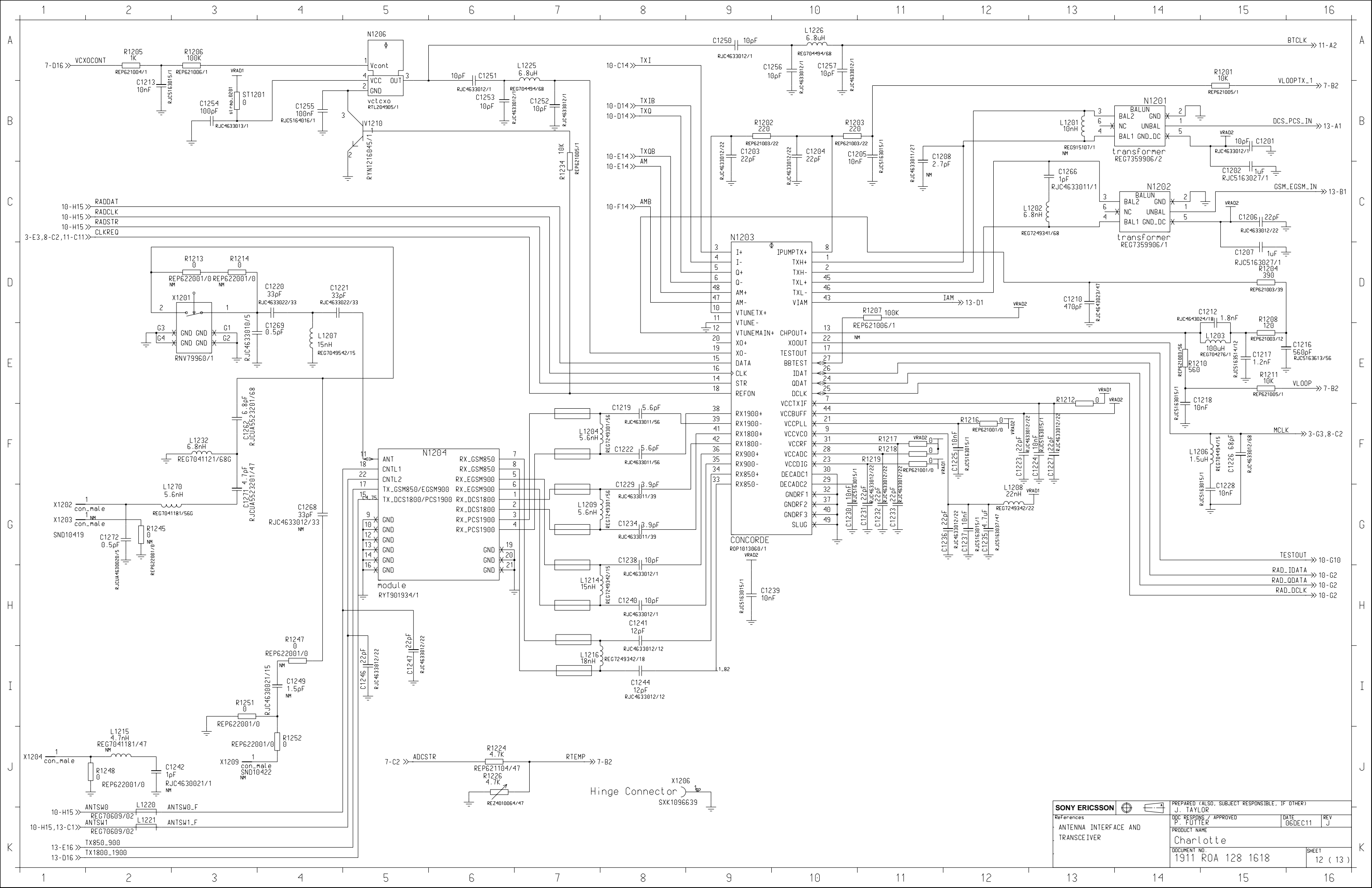
**FM RADIO**

FM I2C ADDRESS:  
0x20(WR); 0x21(RD)  
RDS I2C ADDRESS:  
0x22(WR); 0x23(RD)

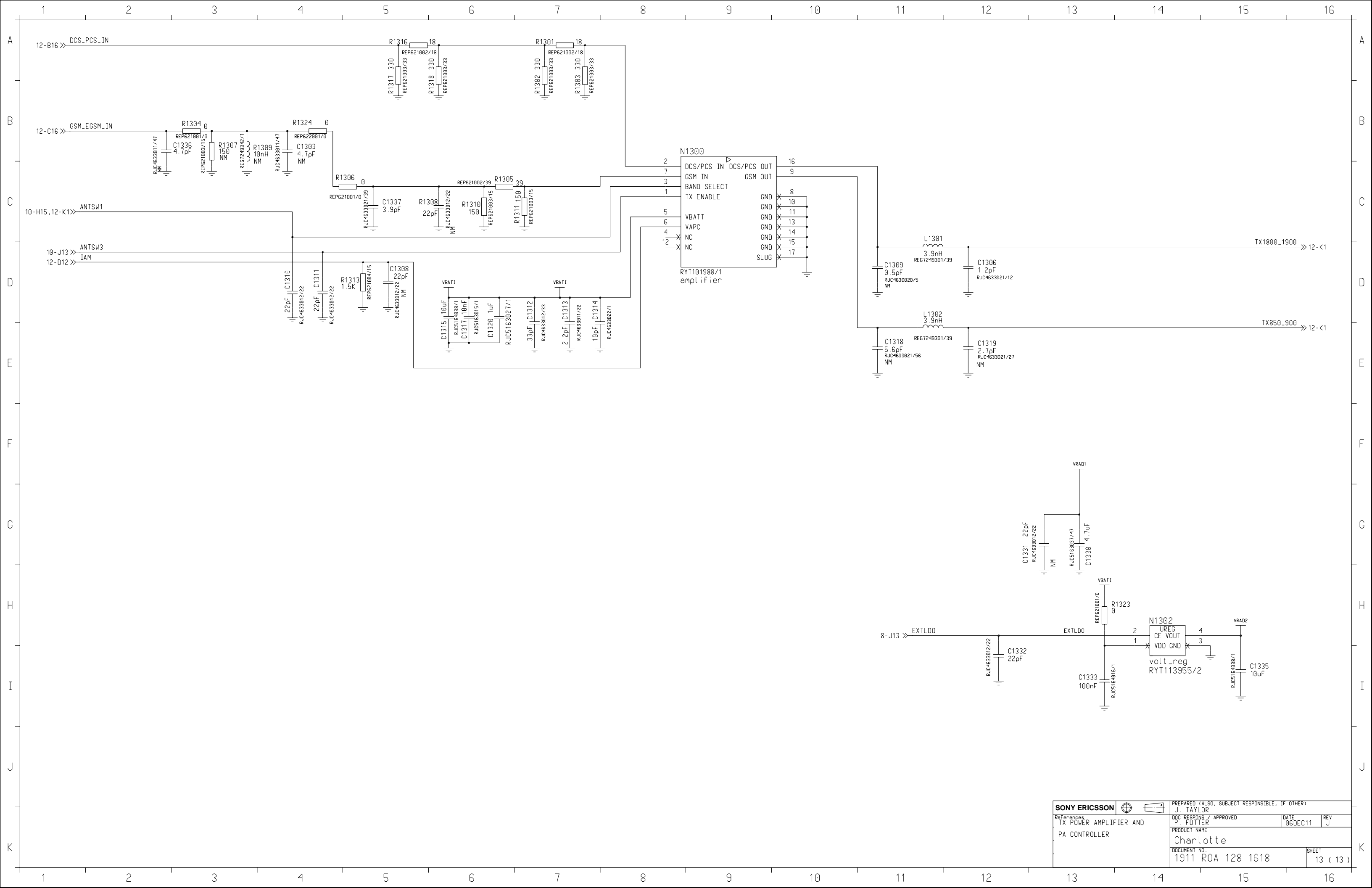


References  
FM RADIO AND BLUETOOTH

PREPARED (ALSO, SUBJECT RESPONSIBLE, IF OTHER) J. TAYLOR		
QC RESPONSE / APPROVED P. FUTTER	DATE 06DEC11	REV J
PRODUCT NAME Charlotte		
DOCUMENT NO. 1911 ROA 128 1618	SHEET 11 ( 13 )	



<b>SONY ERICSSON</b>		PREPARED (ALSO, SUBJECT RESPONSIBLE, IF OTHER)	
References		J. TAYLOR	
ANTENNA INTERFACE AND TRANSCEIVER		QC RESPONSE / APPROVED	
PRODUCT NAME		DATE 06DEC11	
Charlotte		REV J	
DOCUMENT NO. 1911 ROA 128 1618		SHEET 12 ( 13 )	



<b>SONY ERICSSON</b>		PREPARED (ALSO, SUBJECT RESPONSIBLE, IF OTHER) J. TAYLOR	
References TX POWER AMPLIFIER AND PA CONTROLLER	QC RESPONSE / APPROVED P. FUTTER	DATE 06DEC11	REV J
PRODUCT NAME Charlotte		DOCUMENT NO. 1911 ROA 128 1618	
		SHEET 13 ( 13 )	