
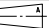
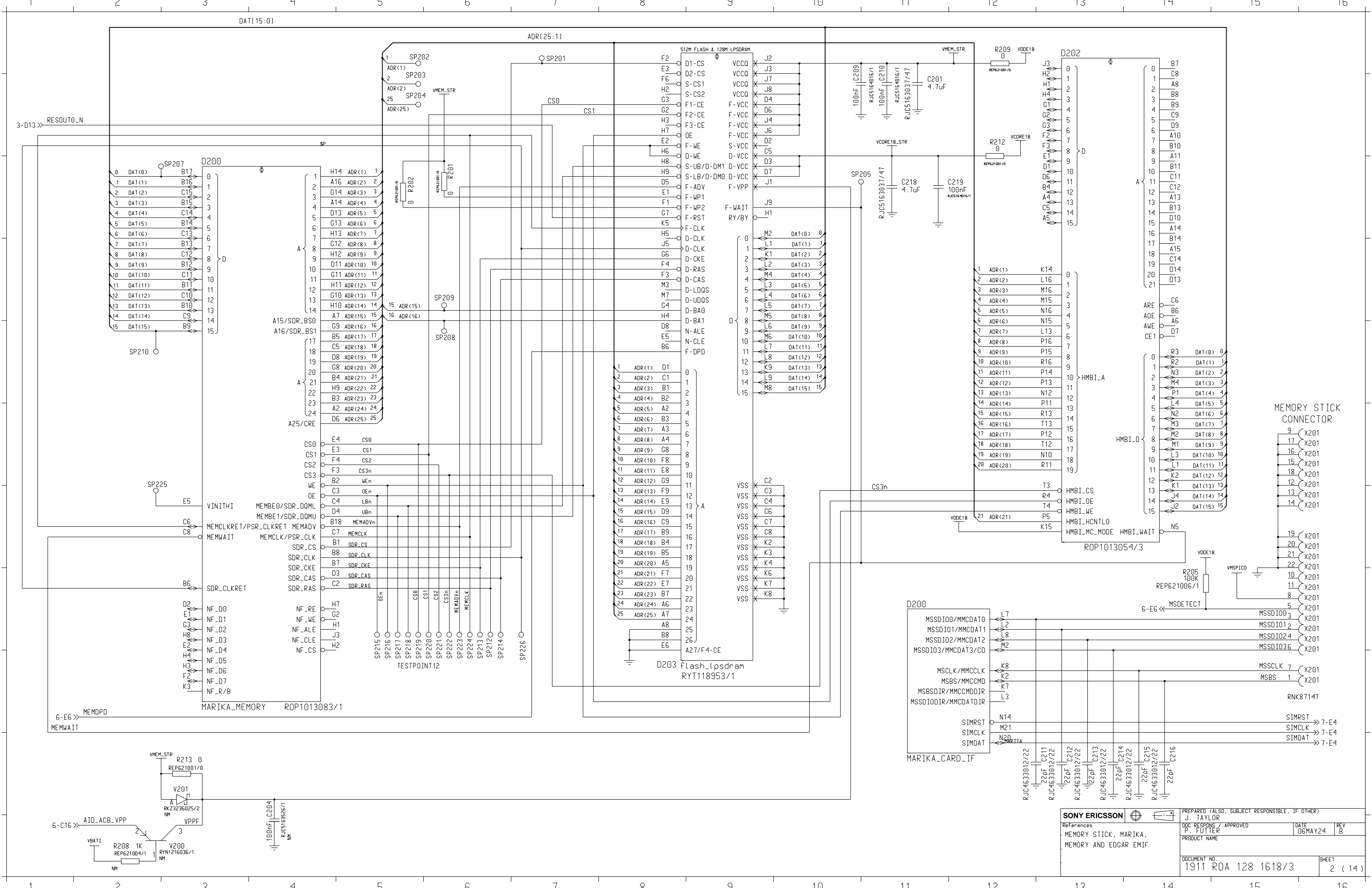
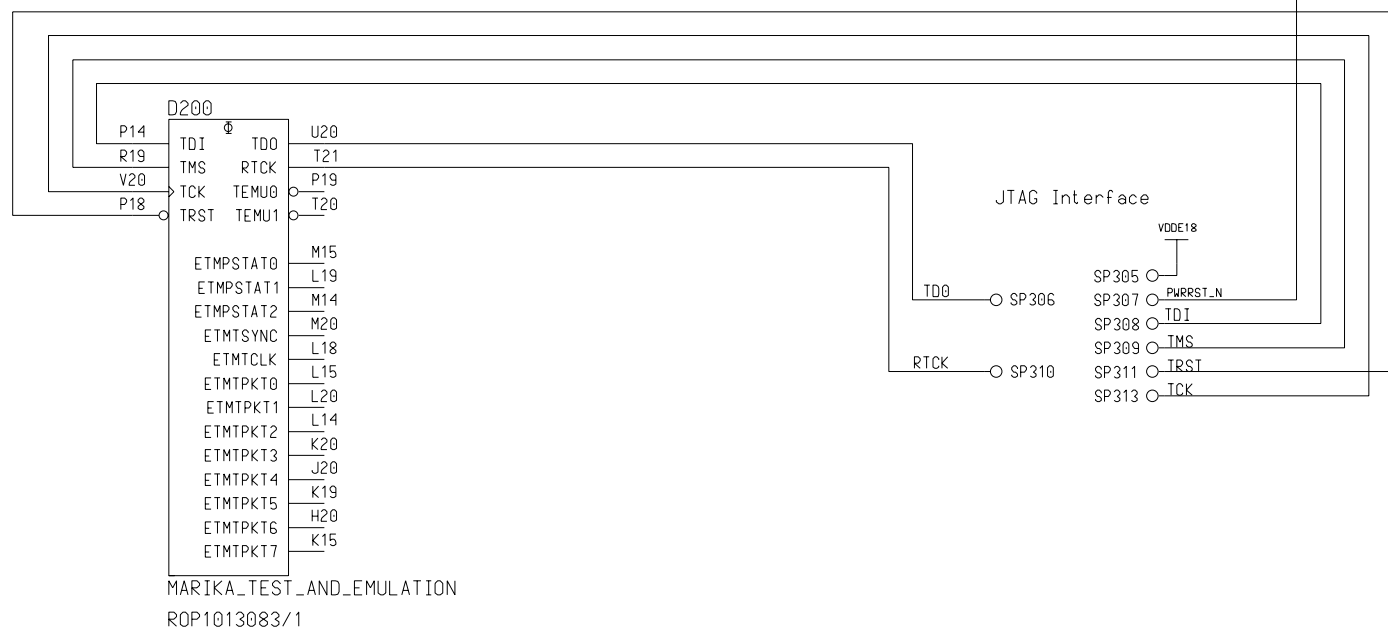
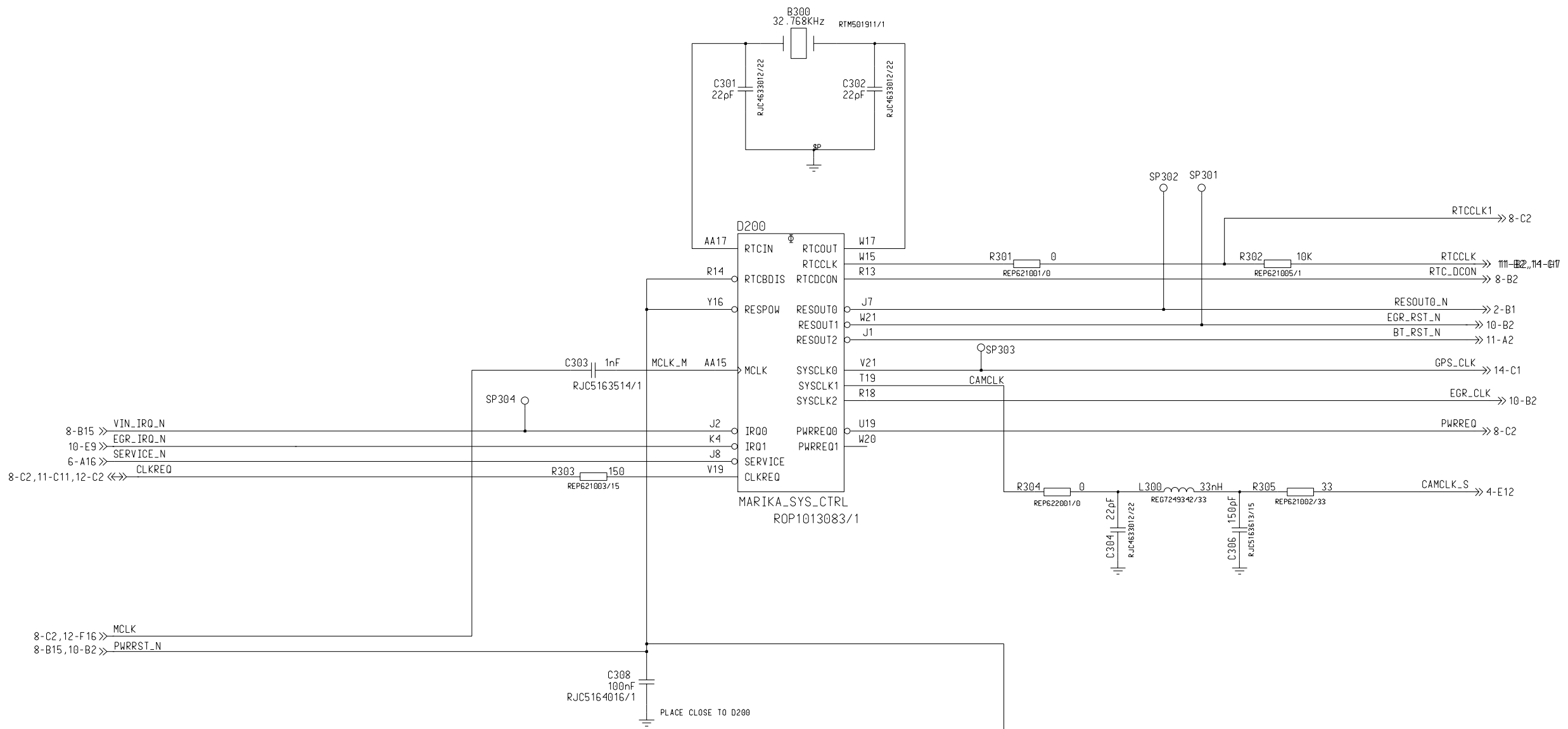


- | | |
|---|----------------------------------------------------------------|
| A | |
| B | |
| C | |
| D | 2. MEMORY STICK, MARIKA, MEMORY AND EDGAR EMIF. |
| E | 3. MARIKA, CLOCKS, RESETS AND JTAG |
| F | 4. MARIKA ,KEYPAD, LCD, CAMERA INTERFACE, AND M.R. SENSOR |
| G | 5. KEYPAD MATRIX, BACKLIGHTING, ILLUMINATION AND ACCELEROMETER |
| H | 6. MARIKA GPIO, USB AND SYSTEM CONNECTOR |
| I | 7. VINCENNE 2 AUDIO, ADC, DACS, TJATTE3 AND SIM |
| J | 8. VINCENNE 2 SYSTEM POWER AND EXTERNAL REGULATORS |
| K | 9. POWER AND GND |
| | 10. BB TO RF INTERFACE |
| | 11. BLUETOOTH |
| | 12. ANTENNA INTERFACE AND TRANSCEIVER |
| | 13. TX POWER AMPLIFIER AND PA CONTROLLER |
| | 14. GPS |

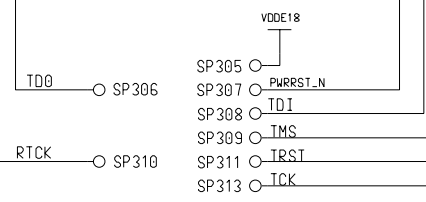
SONY ERICSSON  	PREPARED (ALSO, SUBJECT RESPONSIBLE, IF OTHER) J. TAYLOR		
	QDC RESPONSE / APPROVED P. FUTTER	DATE 06MAY24	REV B
References	PRODUCT NAME		
DOCUMENT NO. 1911 ROA 128 1618/3			SHEET 1 (14)



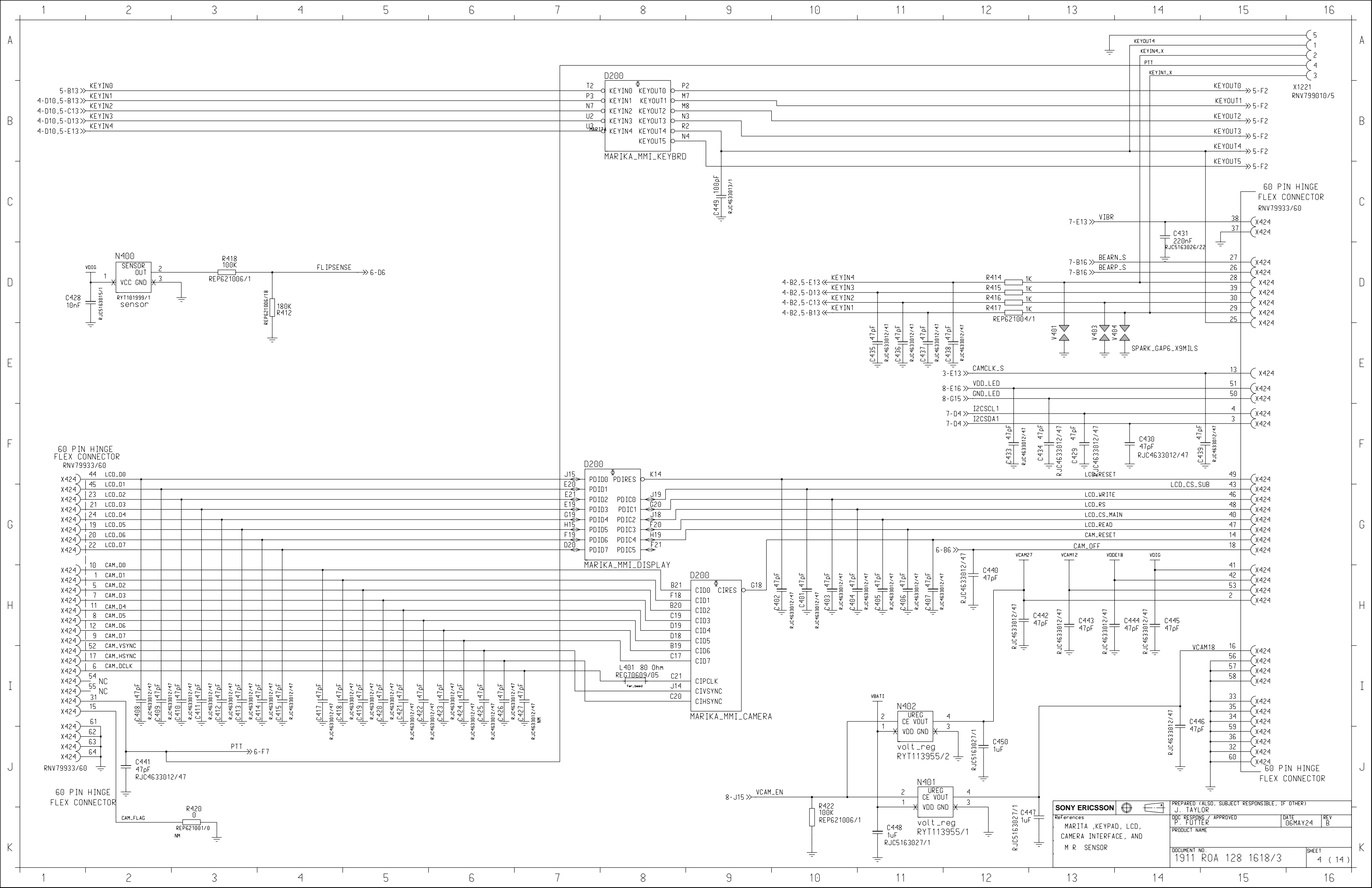
SONY ERICSSON			
PREPARED (ALSO, SUBJECT RESPONSIBLE, IF OTHER) J. TAYLOR			
References MEMORY STICK, MARIKA, MEMORY AND EDGAR EMIF	QC RESPONSE / APPROVED P. FUTTER	DATE 06MAY24	REV B
PRODUCT NAME			SHEET 2 (14)
DOCUMENT NO. 1911 ROA 128 1618/3			SHEET 2 (14)



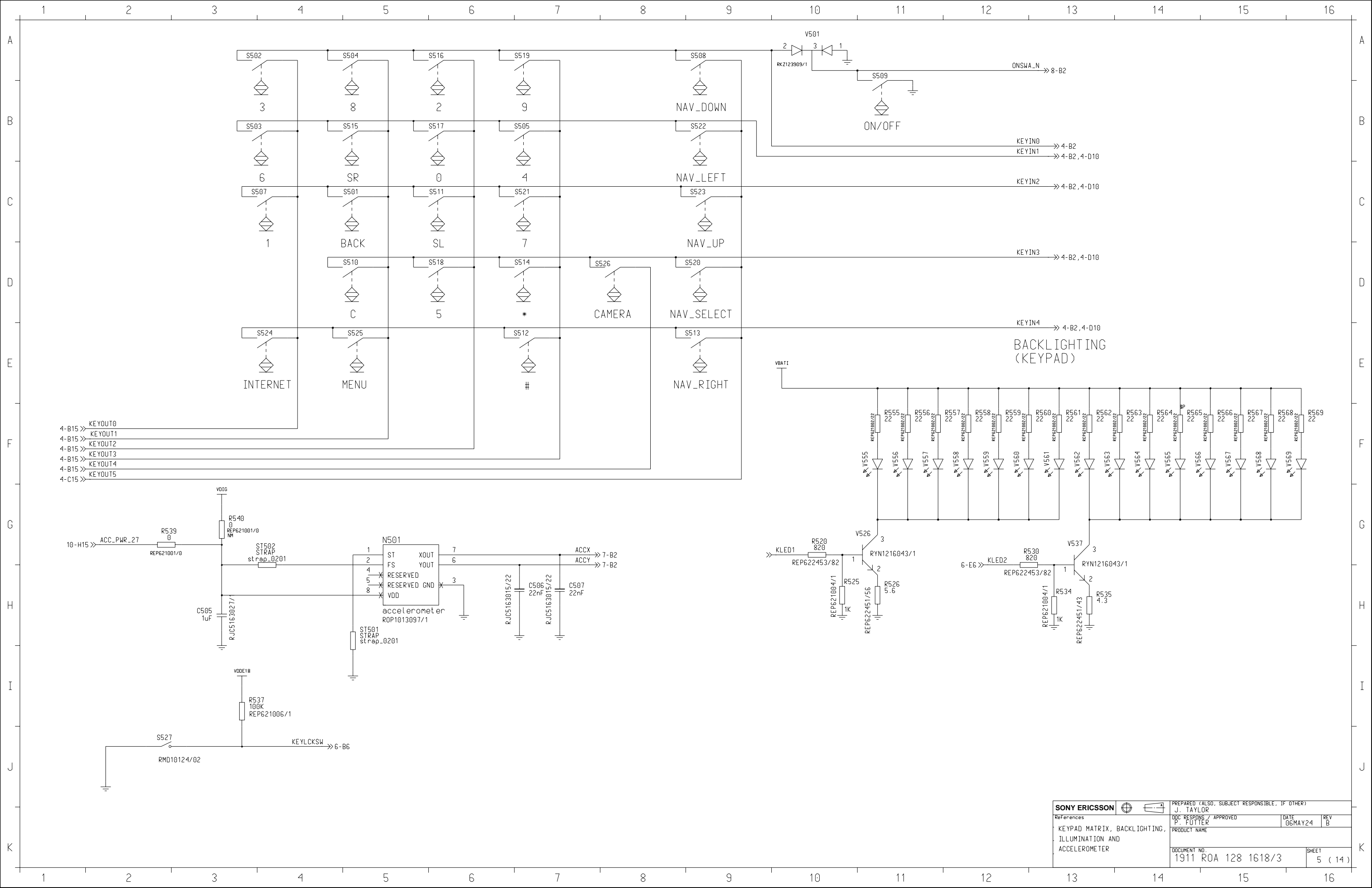
JTAG Interface



SONY ERICSSON		PREPARED (ALSO, SUBJECT RESPONSIBLE, IF OTHER)	
References		J. TAYLOR	
MARIKA CLOCKS AND RESETS		DATE	REV
PRODUCT NAME		05MAY24	B
DOCUMENT NO.		SHEET	
1911 ROA 128 1618/3		3 (14)	

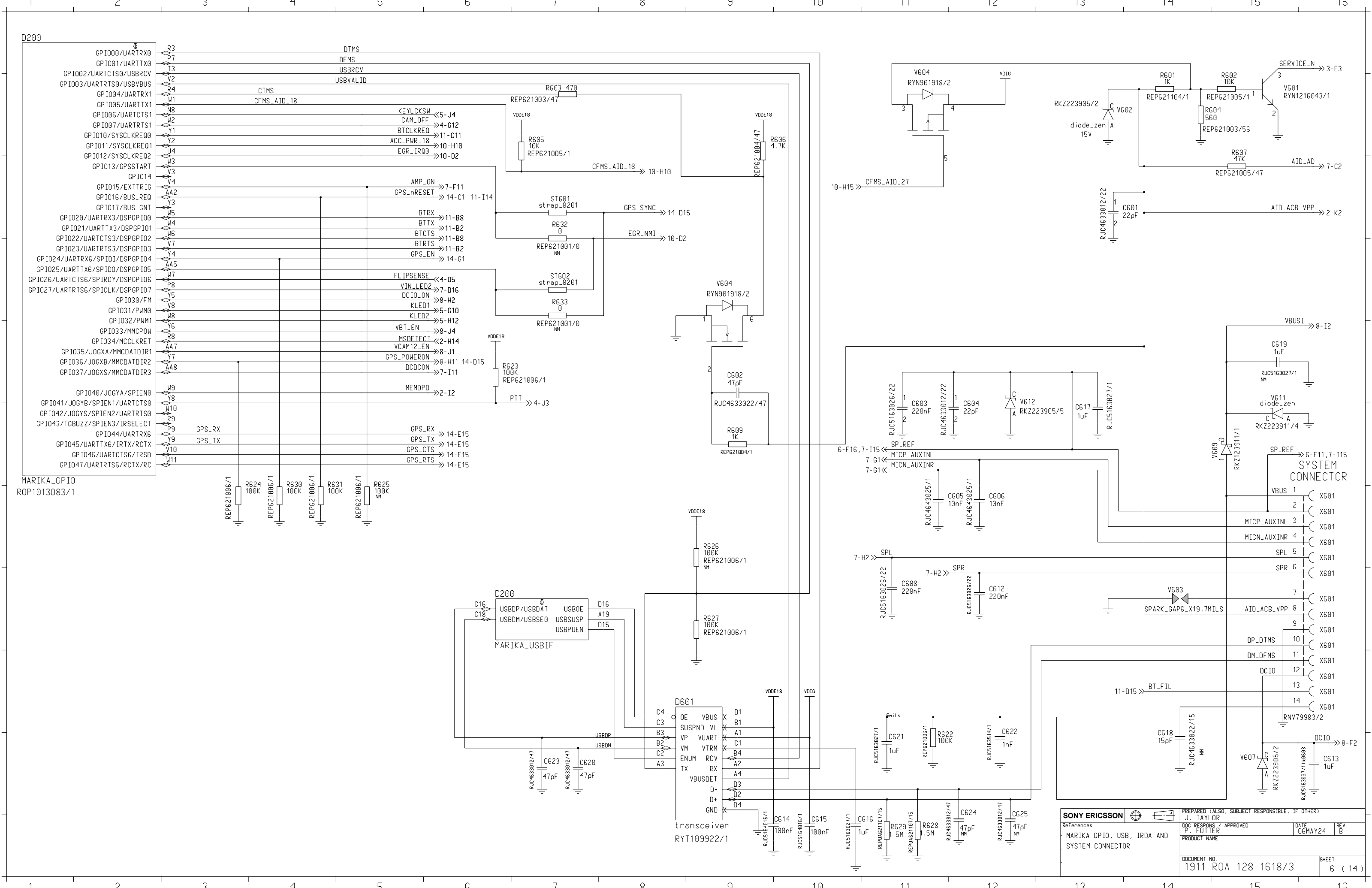


SONY ERICSSON			
References MARITA ,KEYPAD, LCD, CAMERA INTERFACE, AND M R SENSOR			
PREPARED (ALSO, SUBJECT RESPONSIBLE, IF OTHER) J. TAYLOR		DATE 05MAY24	
APPROVED P. FUTTER		REV B	
PRODUCT NAME			
DOCUMENT NO. 1911 ROA 128 1618/3			SHEET 4 (14)

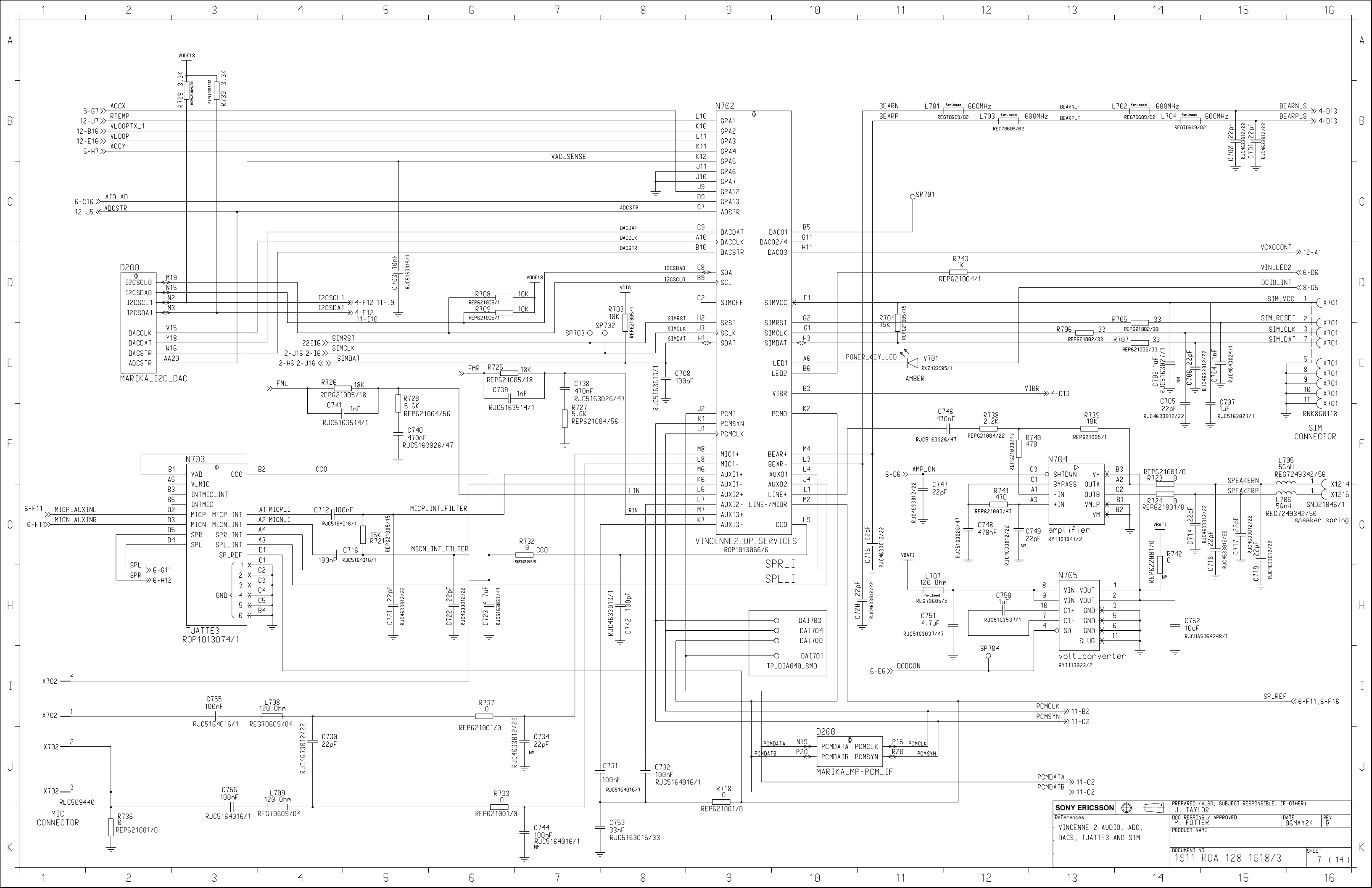


- 4-B15 >> KEYOUT0
- 4-B15 >> KEYOUT1
- 4-B15 >> KEYOUT2
- 4-B15 >> KEYOUT3
- 4-B15 >> KEYOUT4
- 4-C15 >> KEYOUT5

SONY ERICSSON		PREPARED (ALSO, SUBJECT RESPONSIBLE, IF OTHER)	
References		J. TAYLOR	DATE
KEYPAD MATRIX, BACKLIGHTING, ILLUMINATION AND ACCELEROMETER		P. FUTTER APPROVED	06MAY24
DOCUMENT NO.		SHEET	
1911 ROA 128 1618/3		5 (14)	

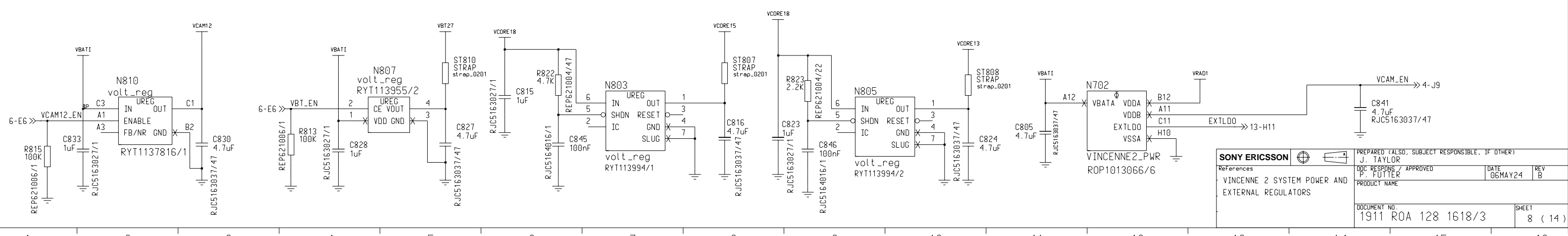
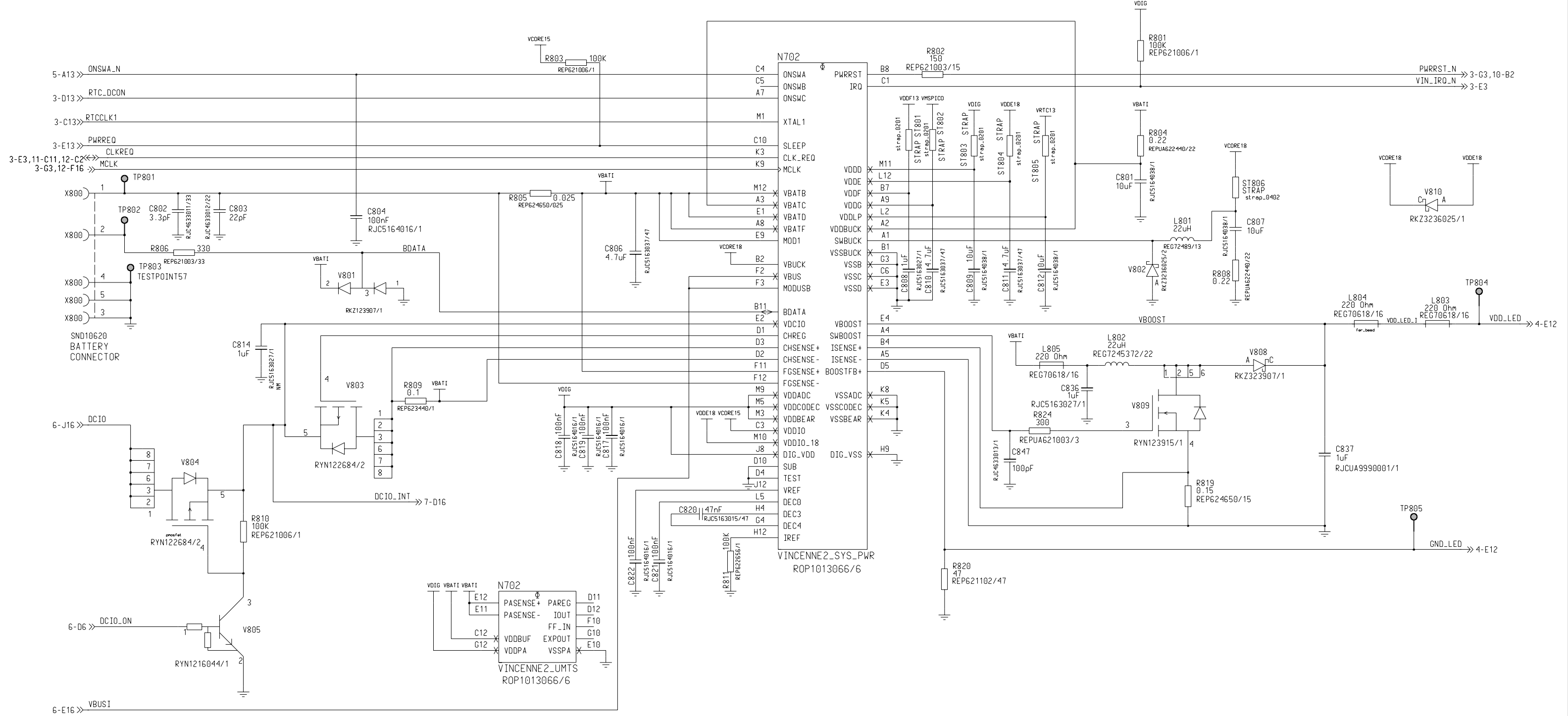


SONY ERICSSON			
PREPARED (ALSO, SUBJECT RESPONSIBLE, IF OTHER) J. TAYLOR			
References MARIKA GPIO, USB, IRDA AND SYSTEM CONNECTOR	QC RESPONDED / APPROVED P. FUTTER	DATE 05MAY24	REV B
PRODUCT NAME			SHEET 6 (14)
DOCUMENT NO. 1911 ROA 128 1618/3			

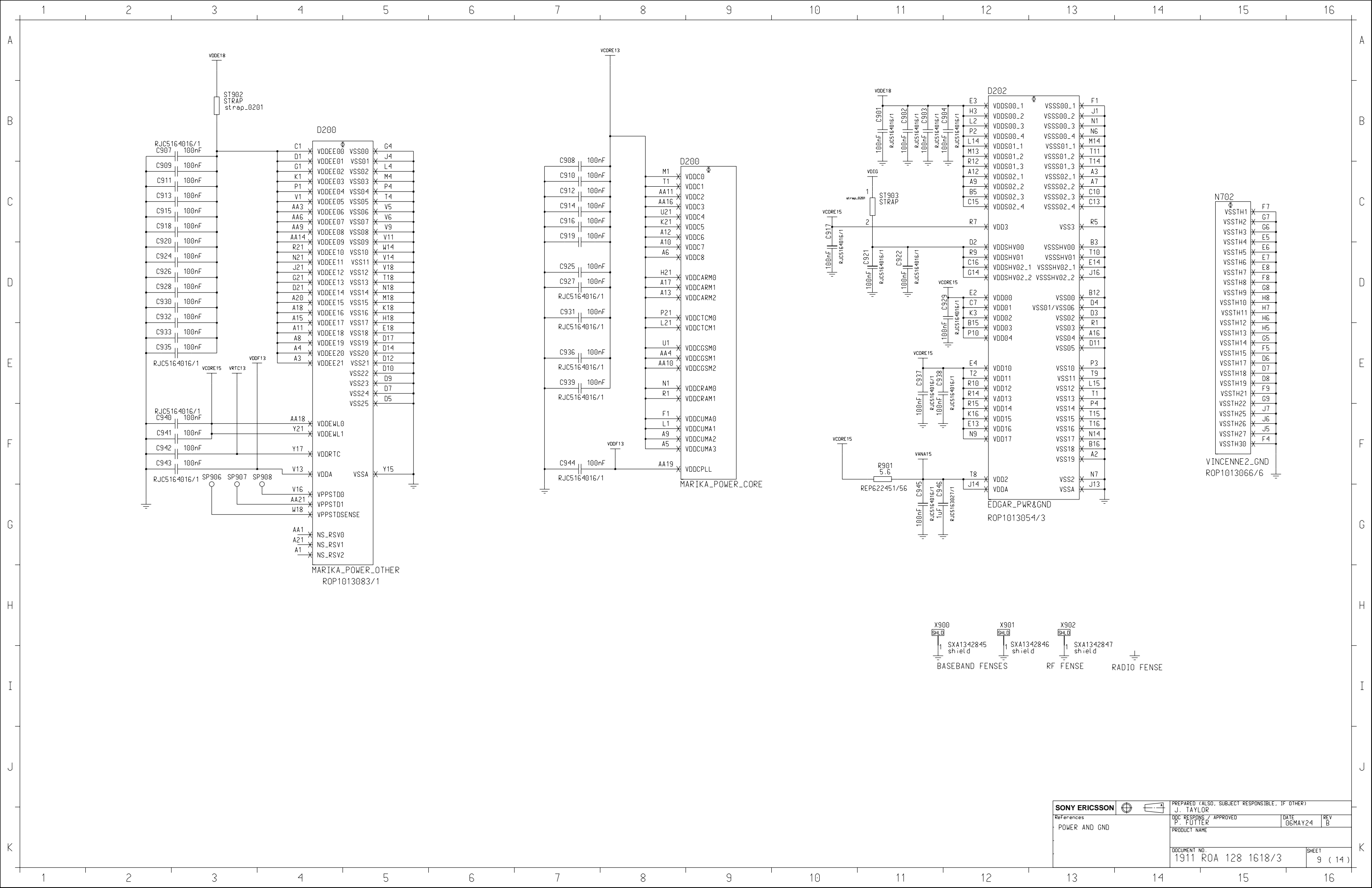


SONY ERICSSON		PREPARED (ALSO, SUBJECT RESPONSIBLE, IF OTHER) J. TAYLOR	
References VINCENNE 2 AUDIO, ADC, DACS, TJATTE3 AND SIM	QC RESPONSE / APPROVED P. FUTTER	DATE 05MAY24	REV B
DOCUMENT NO. 1911 ROA 128 1618/3		SHEET 7 (14)	

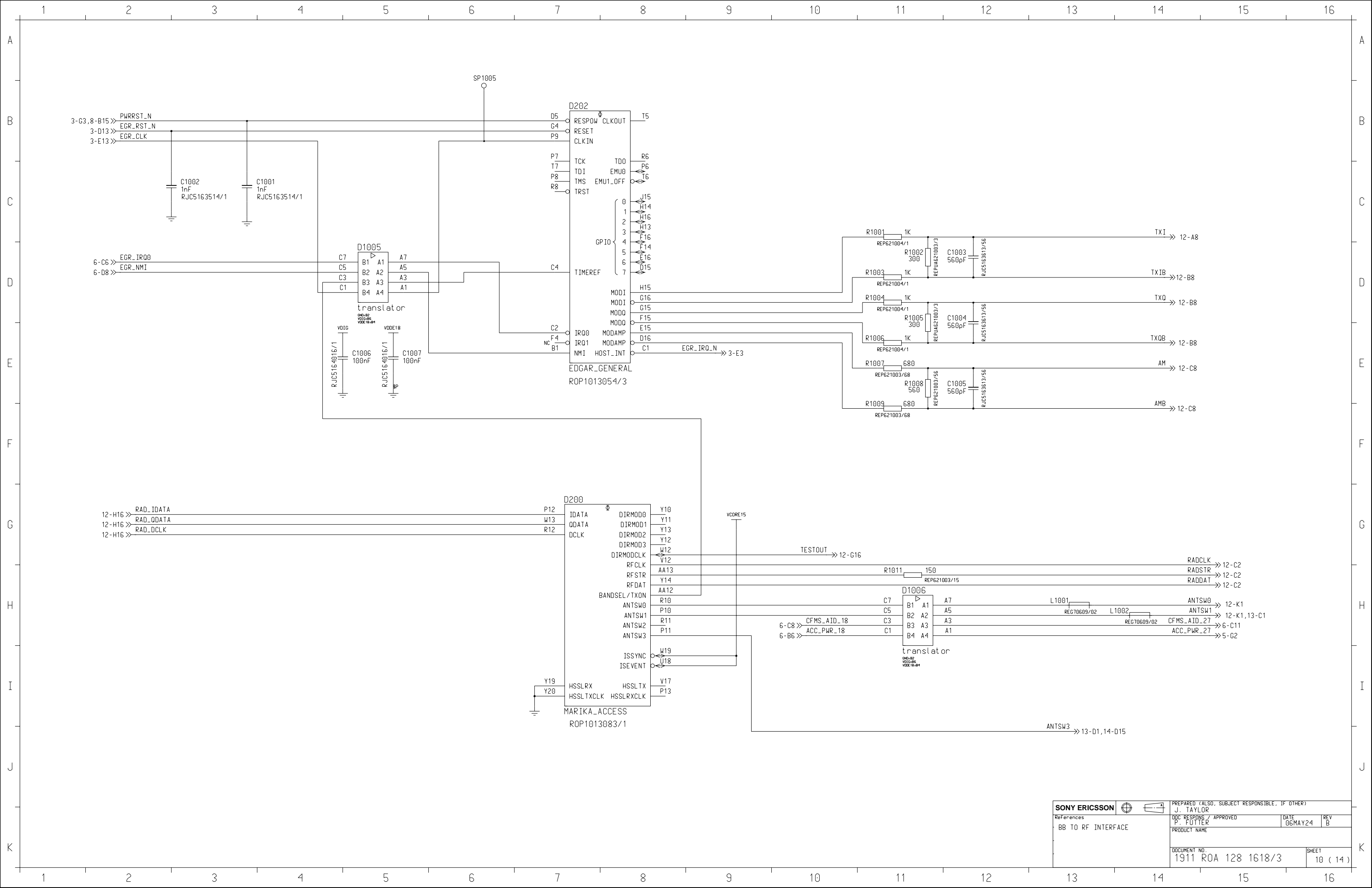
NOTE 1
 Change sense lines, pin D2 and D3 on N702, should be routed together and connected directly to pads for R802 (no current conducting via allowed between connection point and pad).
 FG sense lines, pin F11 and F12 on N702, should be routed together and connected directly to pads for R800 (no current conducting via allowed between connection point and pad).



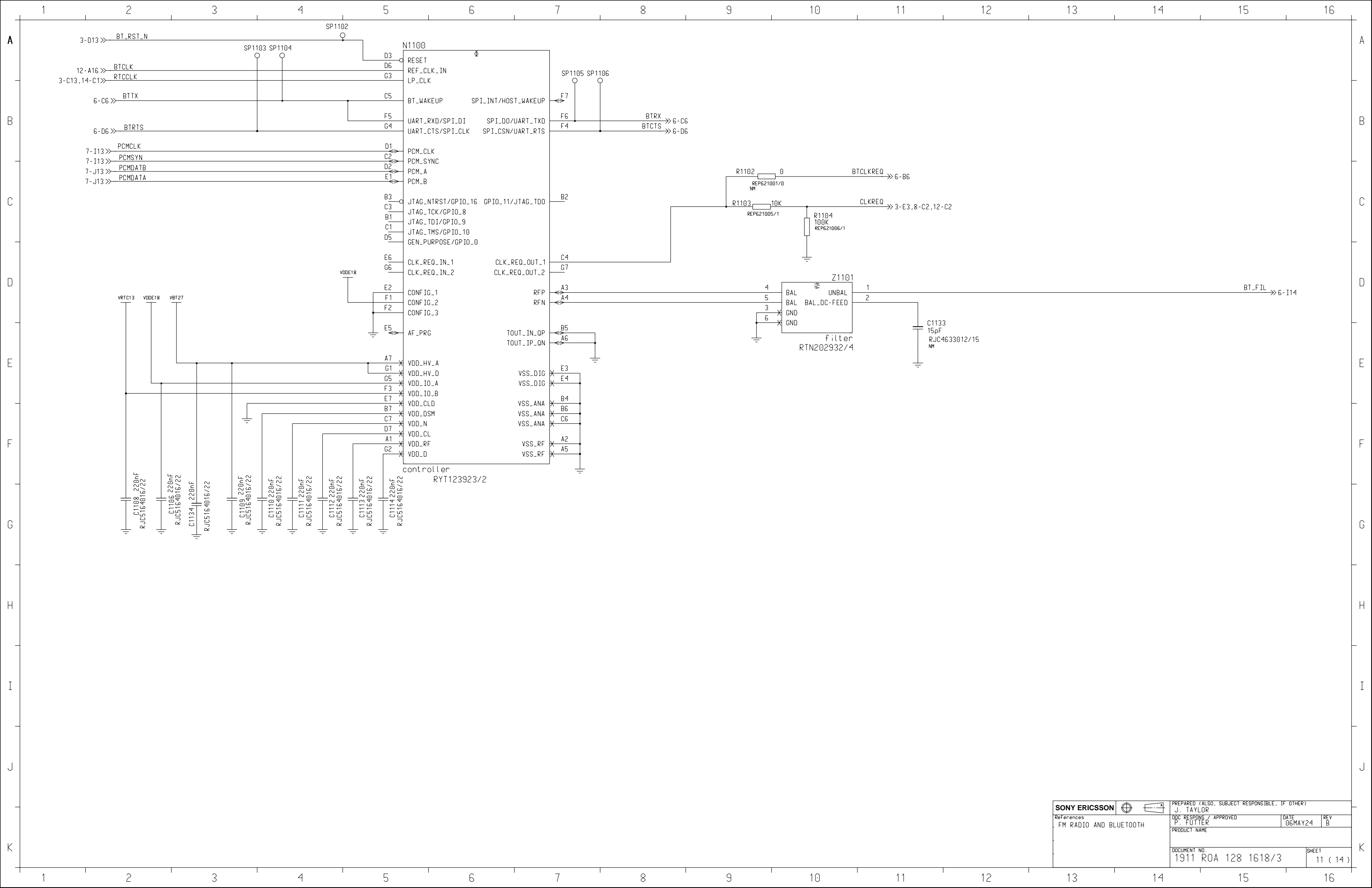
SONY ERICSSON References VINCENNE 2 SYSTEM POWER AND EXTERNAL REGULATORS		PREPARED (ALSO, SUBJECT RESPONSIBLE, IF OTHER) J. TAYLOR DATE 06MAY24 REV B	
DOCUMENT NO. 1911 ROA 128 1618/3		SHEET 8 (14)	



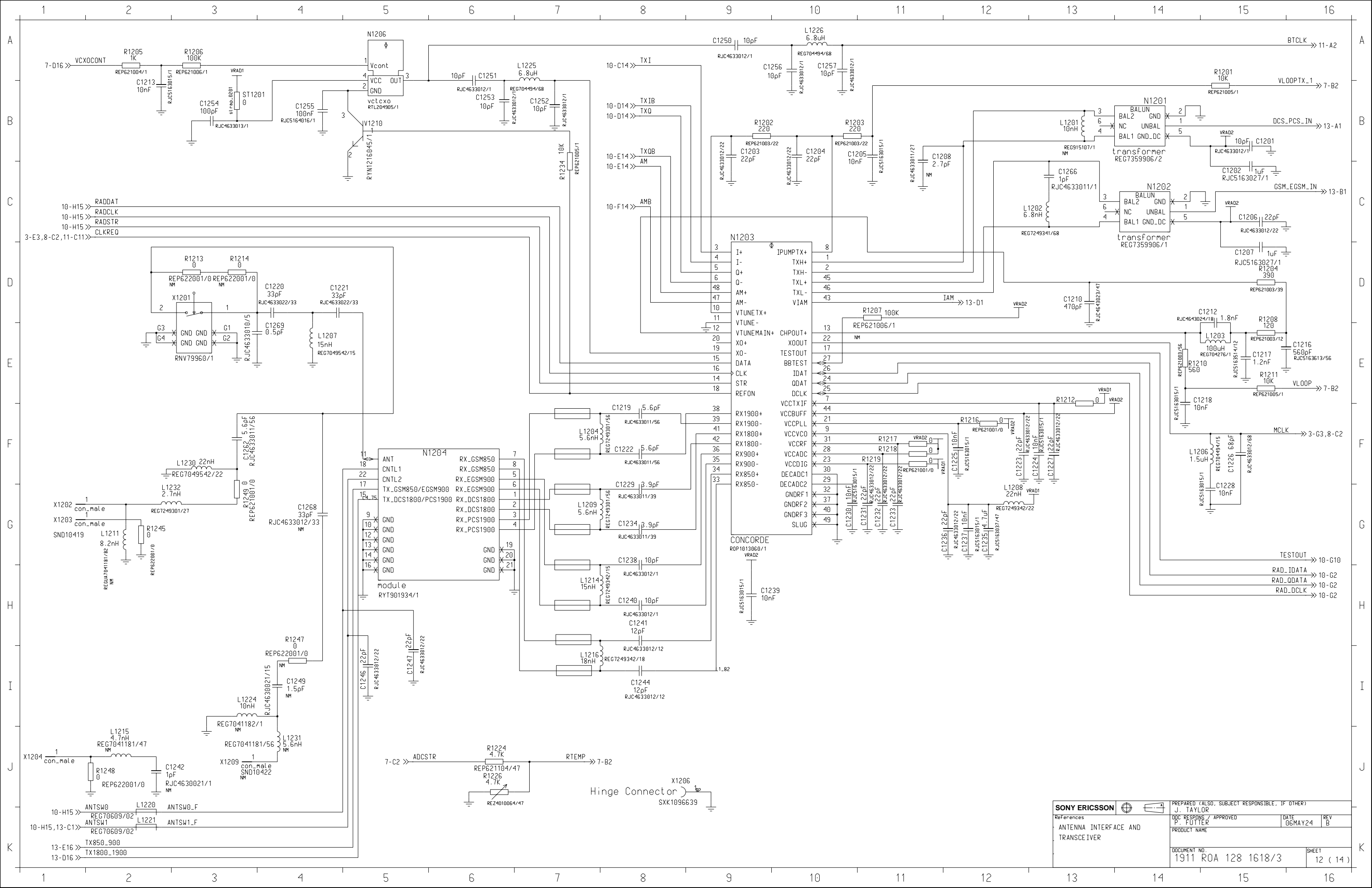
SONY ERICSSON		PREPARED (ALSO, SUBJECT RESPONSIBLE, IF OTHER)	
References		J. TAYLOR	
POWER AND GND		QC RESPONSE / APPROVED	DATE
		P. FUTTER	05MAY24
		PRODUCT NAME	REV
			B
DOCUMENT NO.		SHEET	
1911 ROA 128 1618/3		9 (14)	



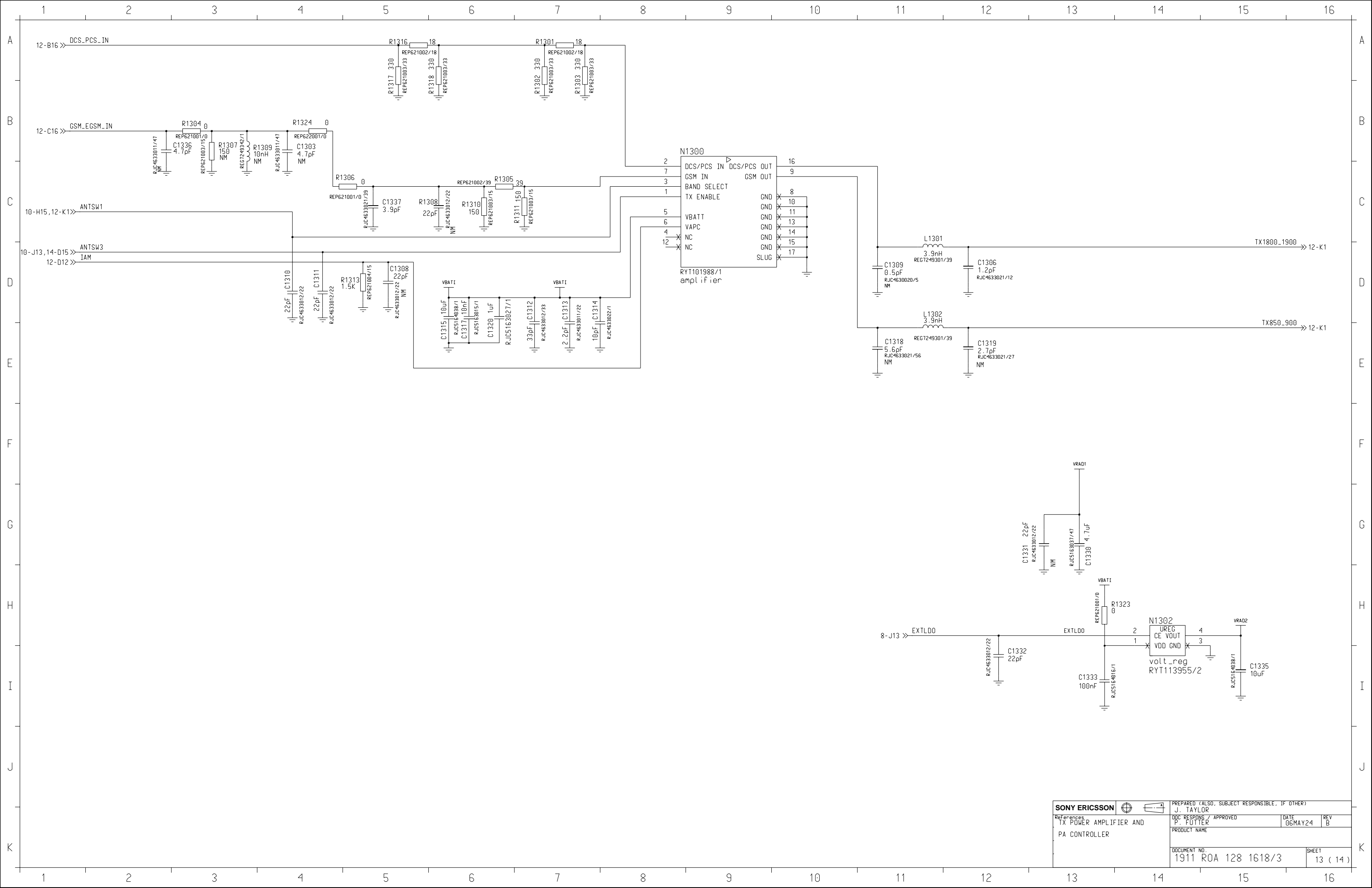
SONY ERICSSON		PREPARED (ALSO, SUBJECT RESPONSIBLE, IF OTHER)	
References		J. TAYLOR	
BB TO RF INTERFACE		QC RESPNS / APPROVED	DATE
		P. FUTTER	05MAY24
		PRODUCT NAME	REV
			B
DOCUMENT NO.		SHEET	
1911 ROA 128 1618/3		10 (14)	



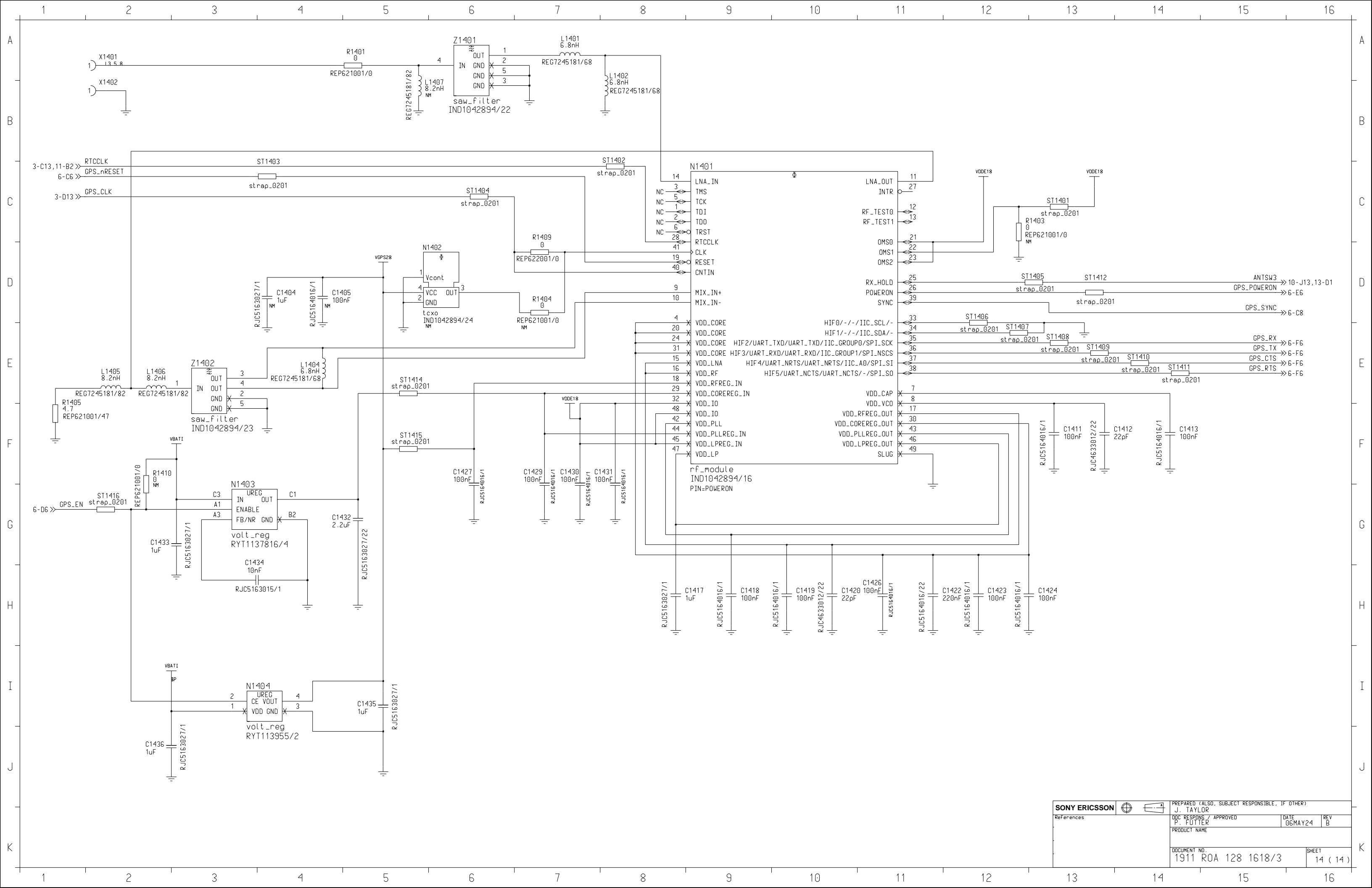
SONY ERICSSON		PREPARED (ALSO, SUBJECT RESPONSIBLE, IF OTHER)	
References		J. TAYLOR	
FM RADIO AND BLUETOOTH	QC RESPONSE / APPROVED	DATE	REV
	P. FUTTER	06MAY24	B
PRODUCT NAME			
DOCUMENT NO.			SHEET
1911 ROA 128 1618/3			11 (14)



SONY ERICSSON			
References			
ANTENNA INTERFACE AND TRANSCEIVER		DATE	REV
		06MAY24	B
DOCUMENT NO. 1911 ROA 128 1618/3			
SHEET 12 (14)			



SONY ERICSSON		PREPARED (ALSO, SUBJECT RESPONSIBLE, IF OTHER) J. TAYLOR	
References TX POWER AMPLIFIER AND PA CONTROLLER	QC RESPONSE / APPROVED P. FUTTER	DATE 05MAY24	REV B
DOCUMENT NO. 1911 ROA 128 1618/3		SHEET 13 (14)	



SONY ERICSSON		PREPARED (ALSO, SUBJECT RESPONSIBLE, IF OTHER) J. TAYLOR	
References	QC RESPONSE / APPROVED P. FUTTER	DATE 06MAY24	REV B
DOCUMENT NO. 1911 ROA 128 1618/3		SHEET 14 (14)	