
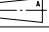
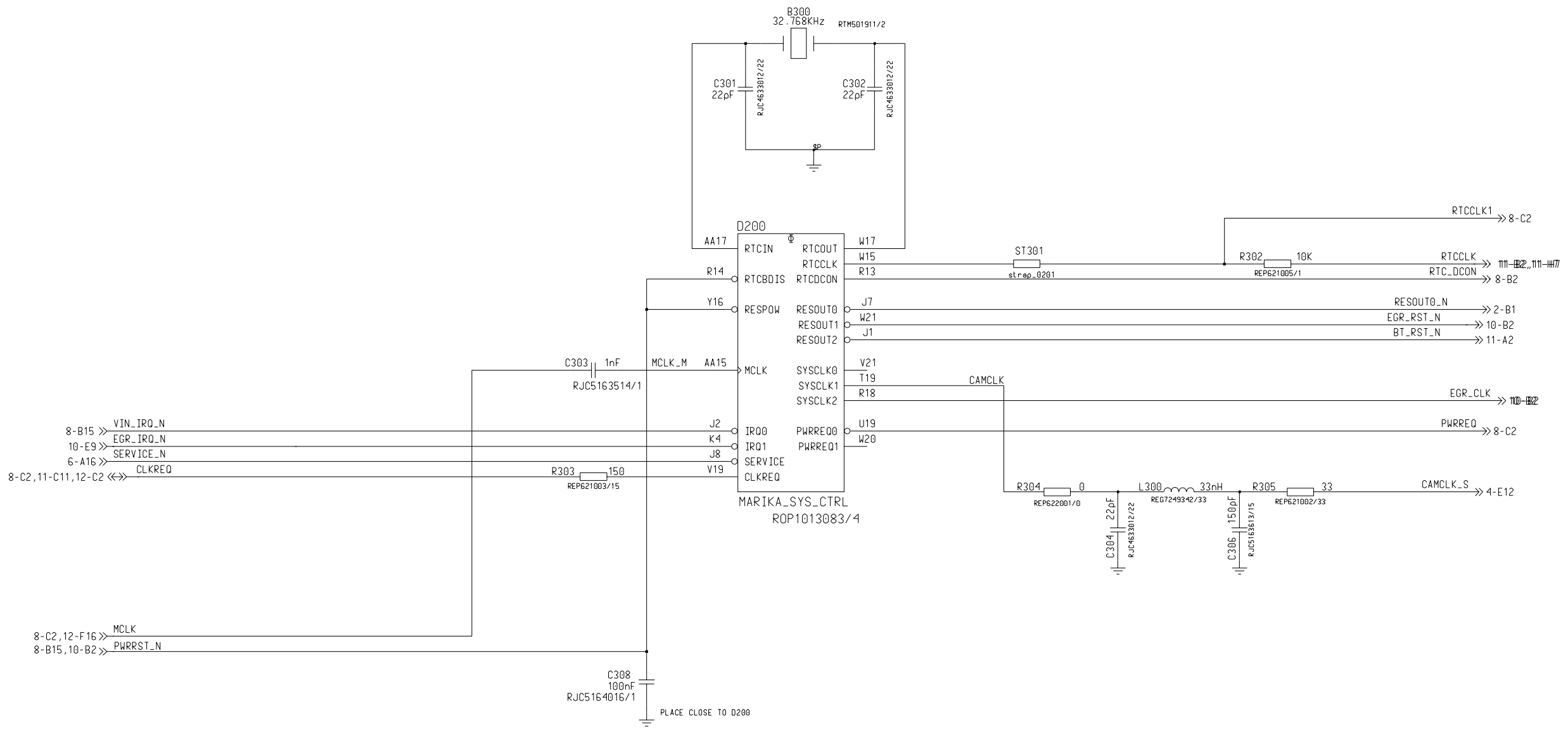


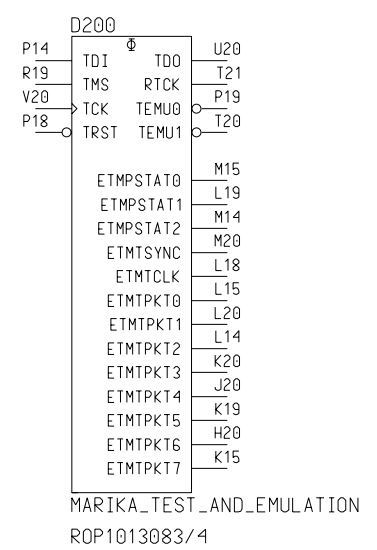
2. MEMORY STICK, MARIKA, MEMORY AND EDGAR EMIF.
3. MARIKA, CLOCKS, RESETS AND JTAG
4. MARIKA ,KEYPAD, LCD, CAMERA INTERFACE, AND M.R. SENSOR
5. KEYPAD MATRIX, BACKLIGHTING, ILLUMINATION AND ACCELEROMETER
6. MARIKA GPIO, USB, IRDA AND SYSTEM CONNECTOR
7. VINCENNE 2 AUDIO, ADC, DACS, TJATTE3 AND SIM
8. VINCENNE 2 SYSTEM POWER AND EXTERNAL REGULATORS
9. POWER AND GND
10. BB TO RF INTERFACE
11. FM RADIO AND BLUETOOTH
12. ANTENNA INTERFACE AND TRANSCEIVER
13. TX POWER AMPLIFIER AND PA CONTROLLER

| | | | |
|--------------------------------------------------------------------------------------------------------------------------------------------------------------------------------------------------|------------------------------------------------------------|-----------------|-------------------|
| SONY ERICSSON   | PREPARED (ALSO, SUBJECT RESPONSIBLE, IF OTHER) J TAYLOR | | |
| | QDC RESPONSE / APPROVED P. FUTTER | DATE 06JUN09 | REV F |
| REFERENCES | PRODUCT NAME | | |
| DOCUMENT NO. 1911 ROA 128 1618/2 | | | SHEET 1 (13) |

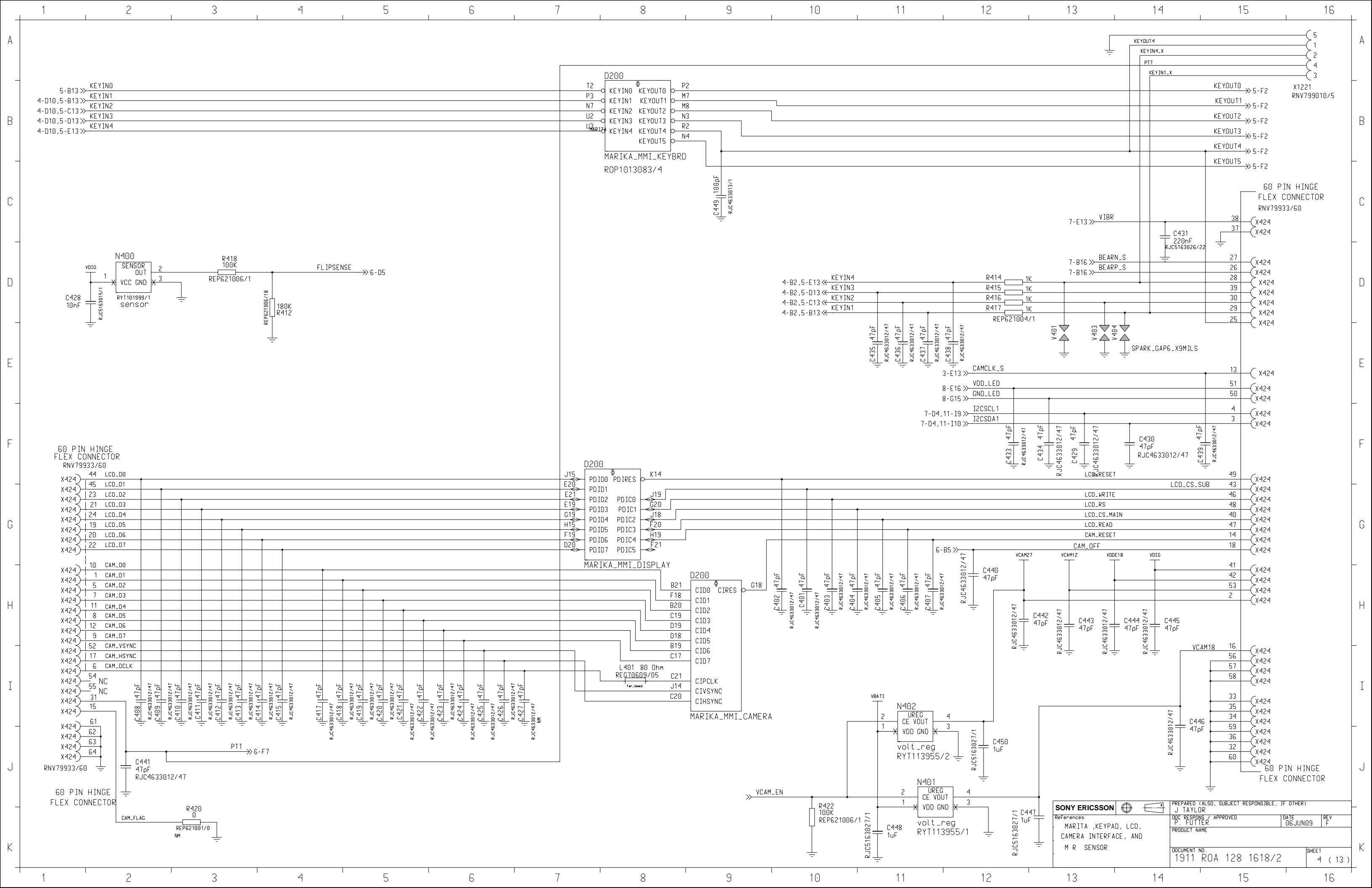


8-B15 >> VIN_IRQ_N
 10-E9 >> EGR_IRQ_N
 6-A16 >> SERVICE_N
 8-C2, 11-C11, 12-C2 <<> CLKREQ

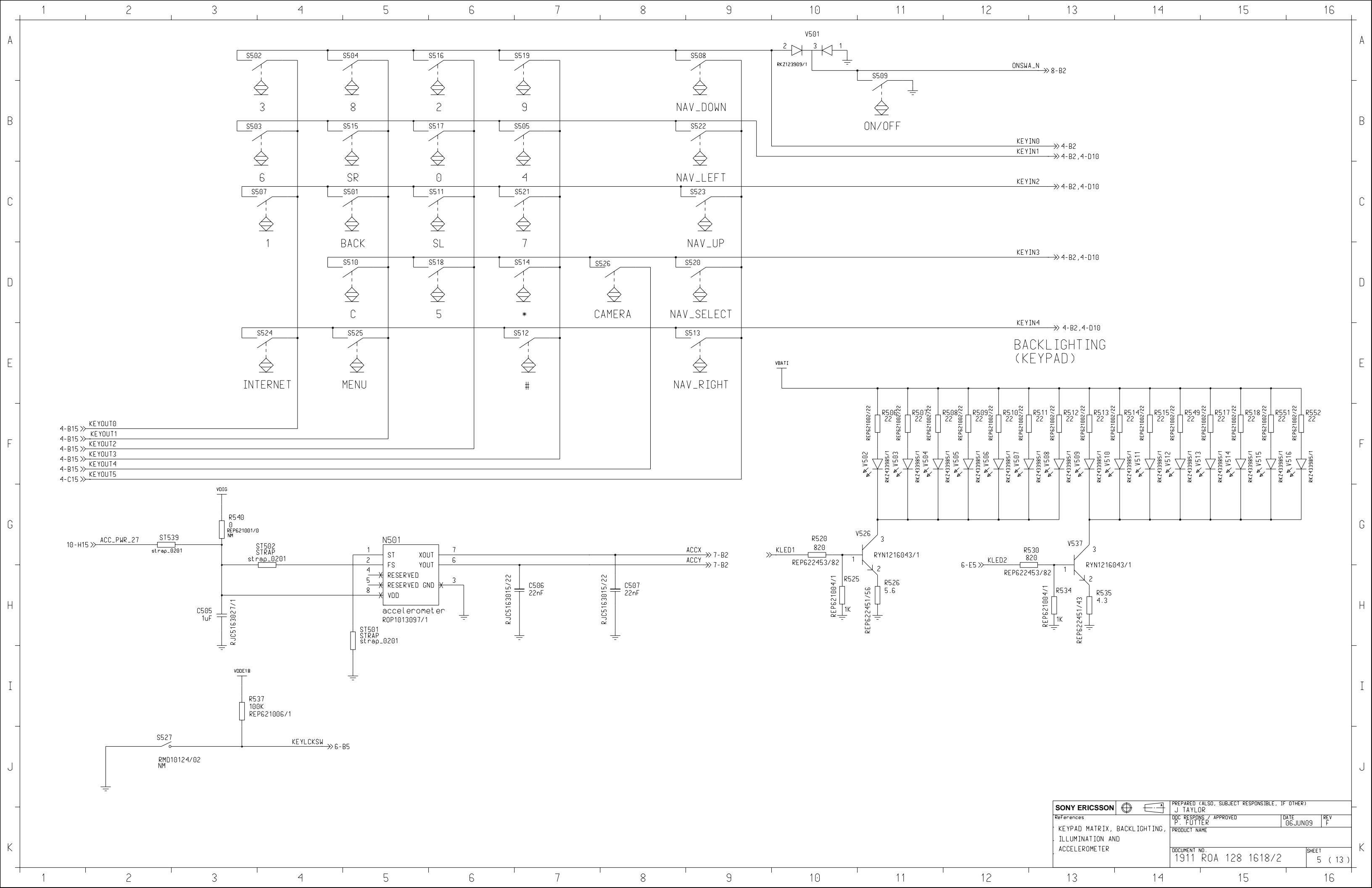
8-C2, 12-F16 >> MCLK
 8-B15, 10-B2 >> PWRRST_N



| | | | |
|----------------------------------------|-------------------------------------|------------------------------------------------------------|----------|
| SONY ERICSSON | | PREPARED (ALSO, SUBJECT RESPONSIBLE, IF OTHER) J TAYLOR | |
| References MARIKA CLOCKS AND RESETS | QC RESPONSE / APPROVED P. FUTTER | DATE 06JUN09 | REV F |
| DOCUMENT NO. 1911 ROA 128 1618/2 | | SHEET 3 (13) | |

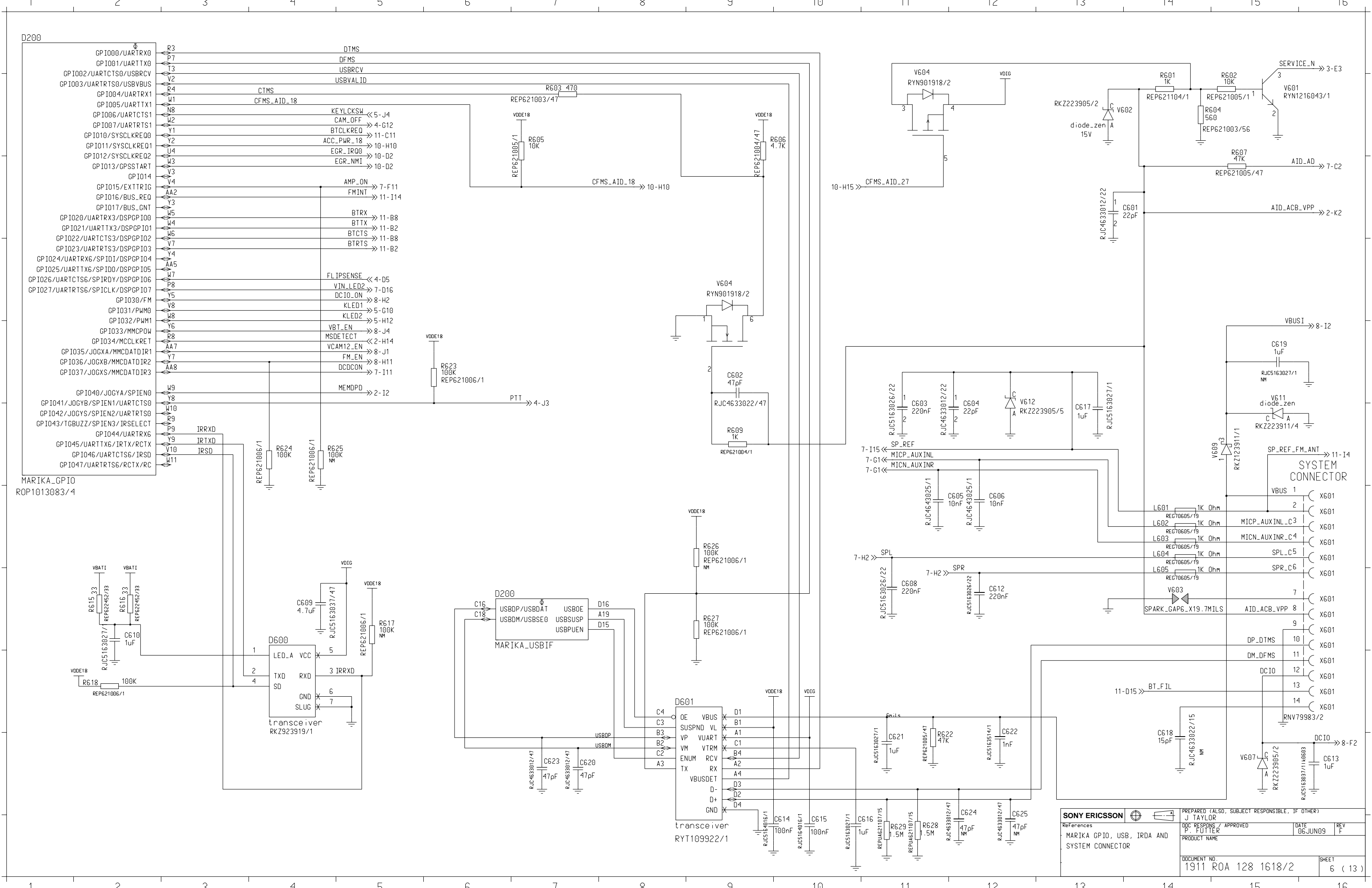


| | | | |
|---------------------------------------------------------------------------|--|-----------------|-------------------|
| SONY ERICSSON | | | |
| References MARITA ,KEYPAD, LCD, CAMERA INTERFACE, AND M R SENSOR | | | |
| PREPARED (ALSO, SUBJECT RESPONSIBLE, IF OTHER) J TAYLOR | | DATE 06JUN09 | |
| QC RESPNS / APPROVED P. FUTTER | | REV F | |
| PRODUCT NAME | | | |
| DOCUMENT NO. 1911 ROA 128 1618/2 | | | SHEET 4 (13) |

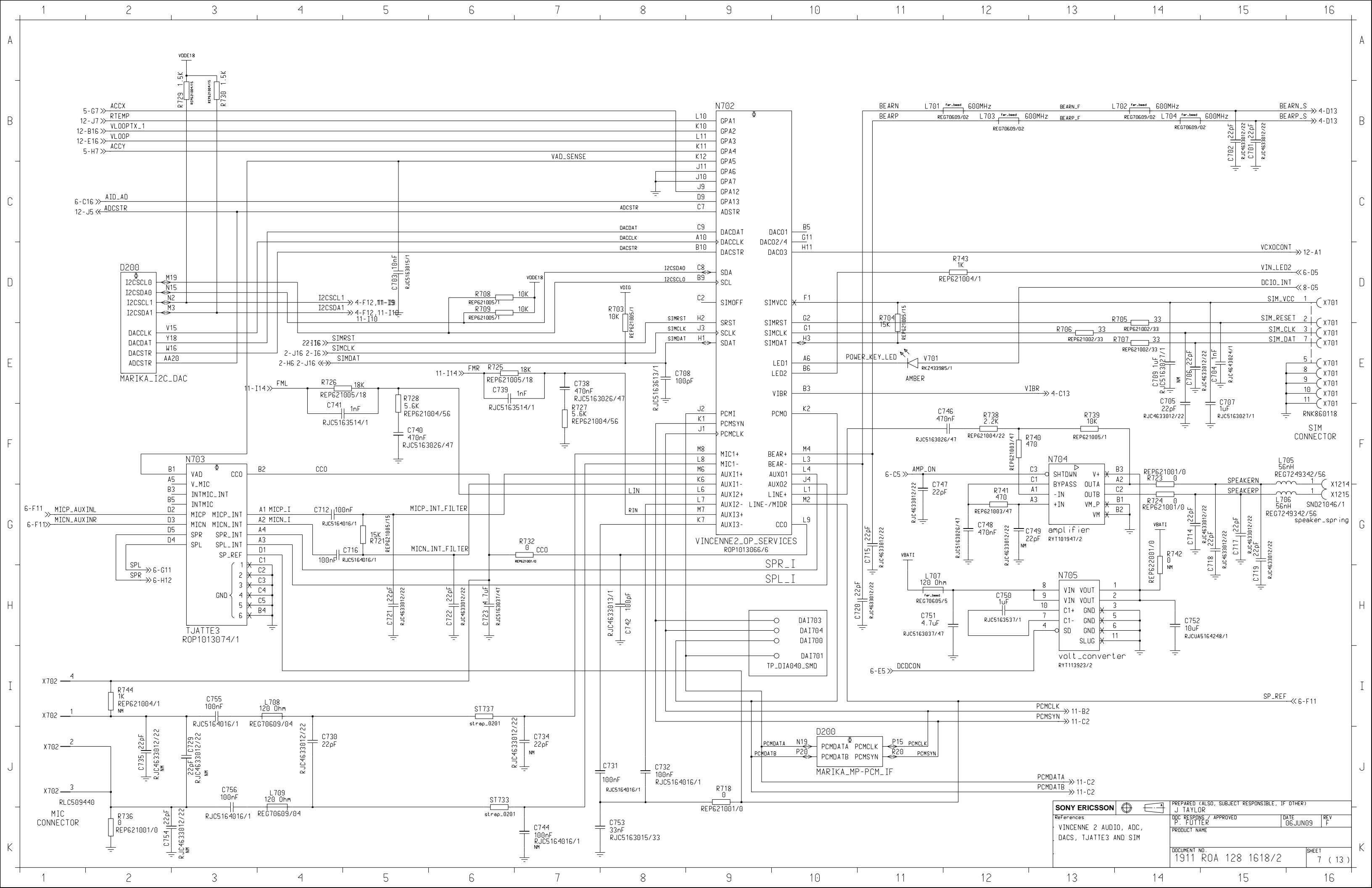


- 4-B15 >> KEYOUT0
- 4-B15 >> KEYOUT1
- 4-B15 >> KEYOUT2
- 4-B15 >> KEYOUT3
- 4-B15 >> KEYOUT4
- 4-B15 >> KEYOUT5

| | | | |
|-------------------------------------------------------------------|-------------------------|------------------------------------------------------------|-----|
| SONY ERICSSON | | PREPARED (ALSO, SUBJECT RESPONSIBLE, IF OTHER) J TAYLOR | |
| References | QC RESPONSES / APPROVED | DATE | REV |
| KEYPAD MATRIX, BACKLIGHTING, ILLUMINATION AND ACCELEROMETER | P. FUTTER | 06JUN09 | F |
| DOCUMENT NO. 1911 ROA 128 1618/2 | | SHEET 5 (13) | |

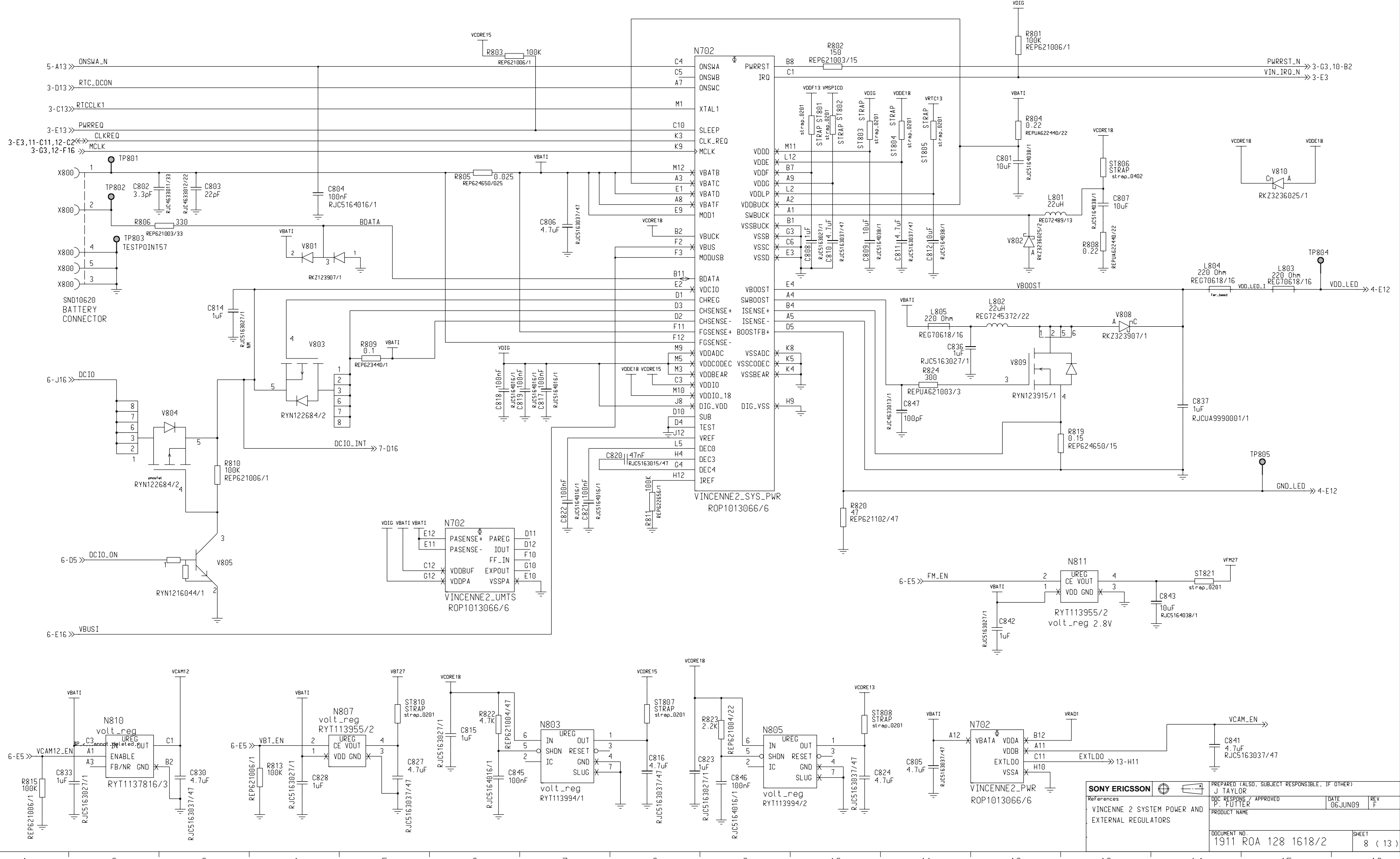


| | | | |
|--------------------------------------------------------------|-------------------------------------|------------------------------------------------------------|----------|
| SONY ERICSSON | | PREPARED (ALSO, SUBJECT RESPONSIBLE, IF OTHER) J TAYLOR | |
| References MARIKA GPIO, USB, IRDA AND SYSTEM CONNECTOR | QC RESPONDS / APPROVED P. FUTTER | DATE 06JUN09 | REV F |
| DOCUMENT NO. 1911 ROA 128 1618/2 | | SHEET 6 (13) | |

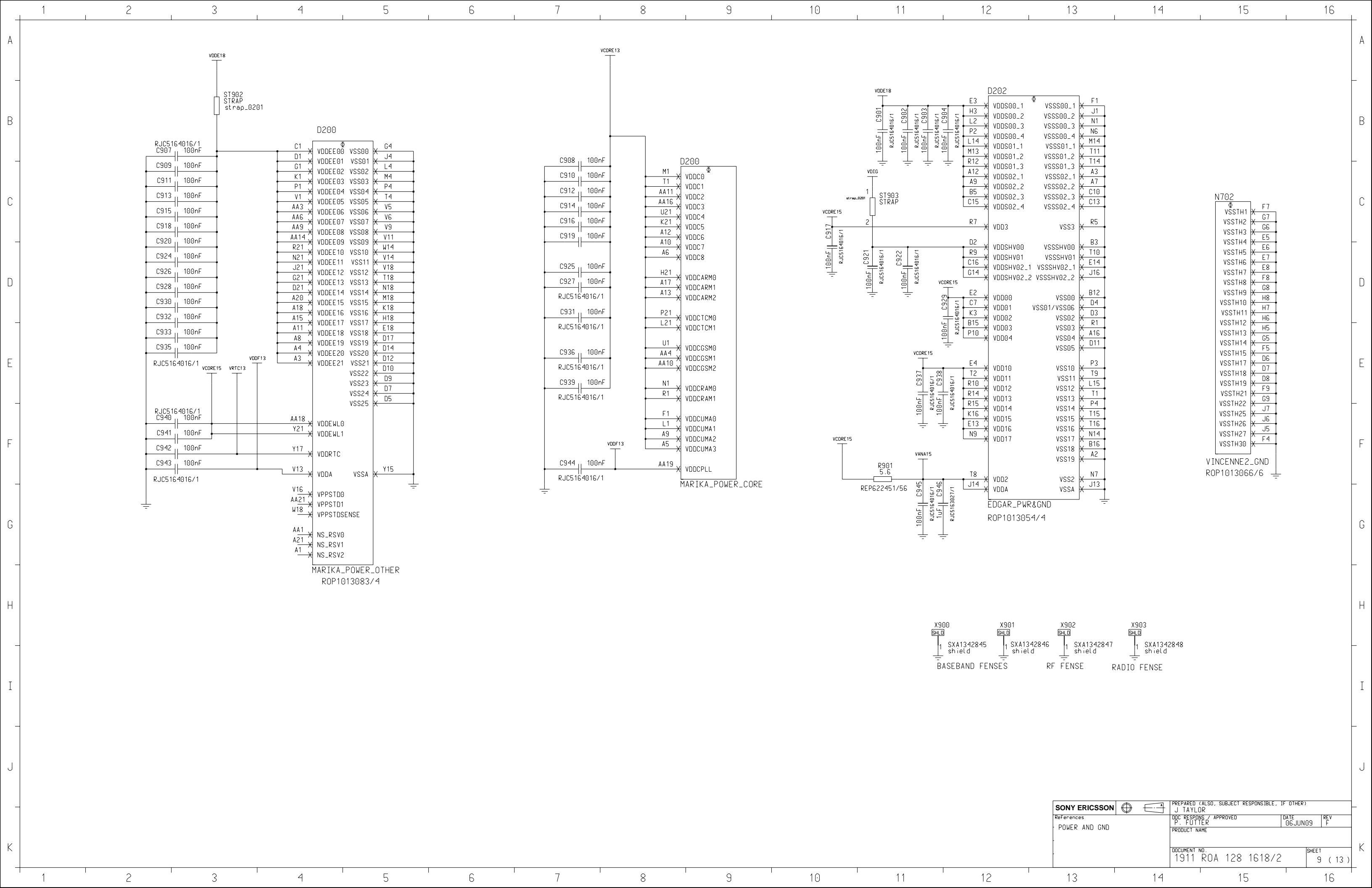


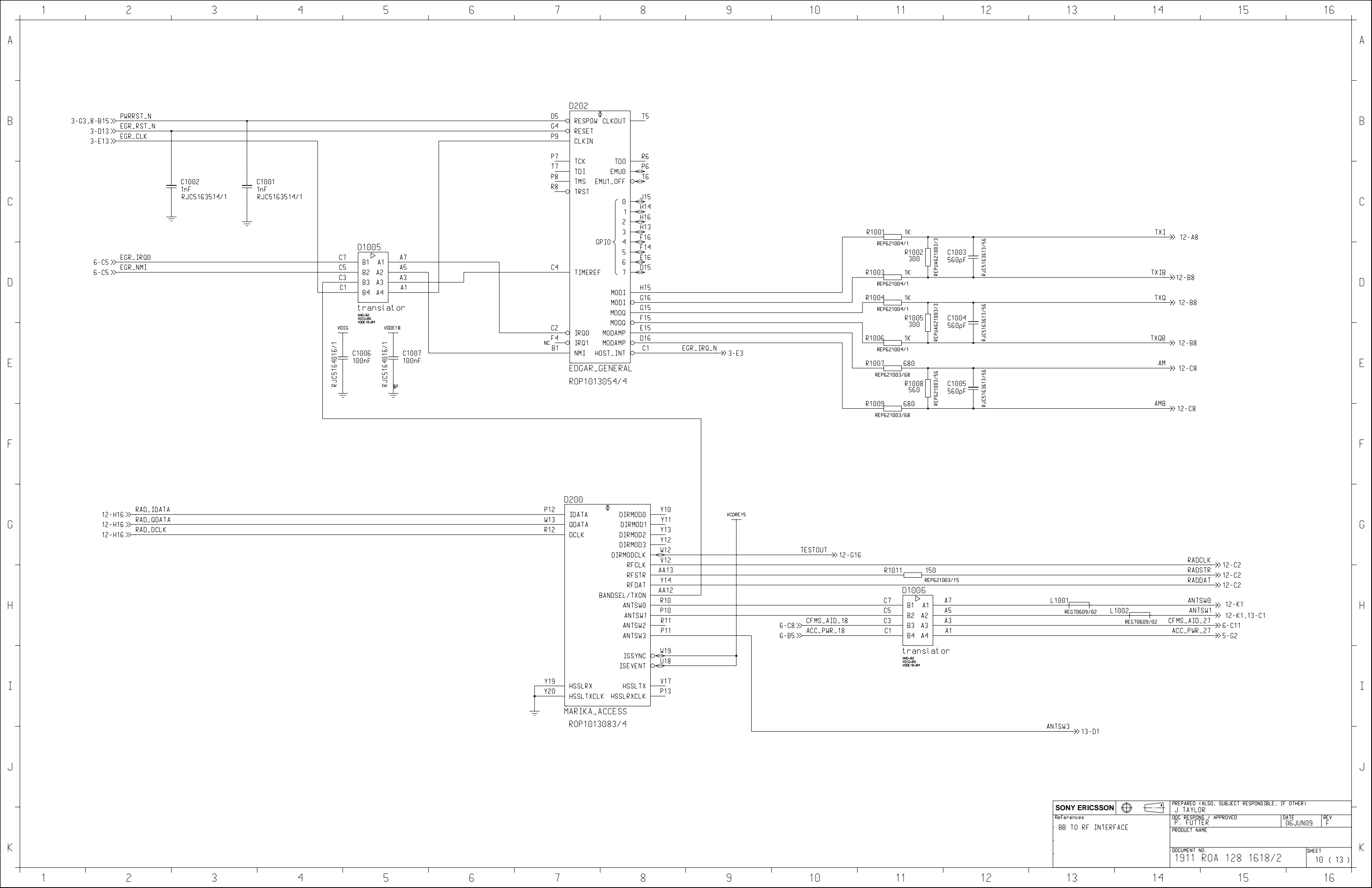
| | | | |
|-------------------------------------|----------------------------------------------|------------------------------------------------------------|---------|
| SONY ERICSSON | | PREPARED (ALSO, SUBJECT RESPONSIBLE, IF OTHER) J TAYLOR | |
| References | VINCENNE 2 AUDIO, ADC, DACS, TJATTE3 AND SIM | QC REVISIONS / APPROVED | DATE |
| | | P. FUTTER | 06JUN09 |
| | | PRODUCT NAME | REV F |
| DOCUMENT NO. 1911 ROA 128 1618/2 | | SHEET 7 (13) | |

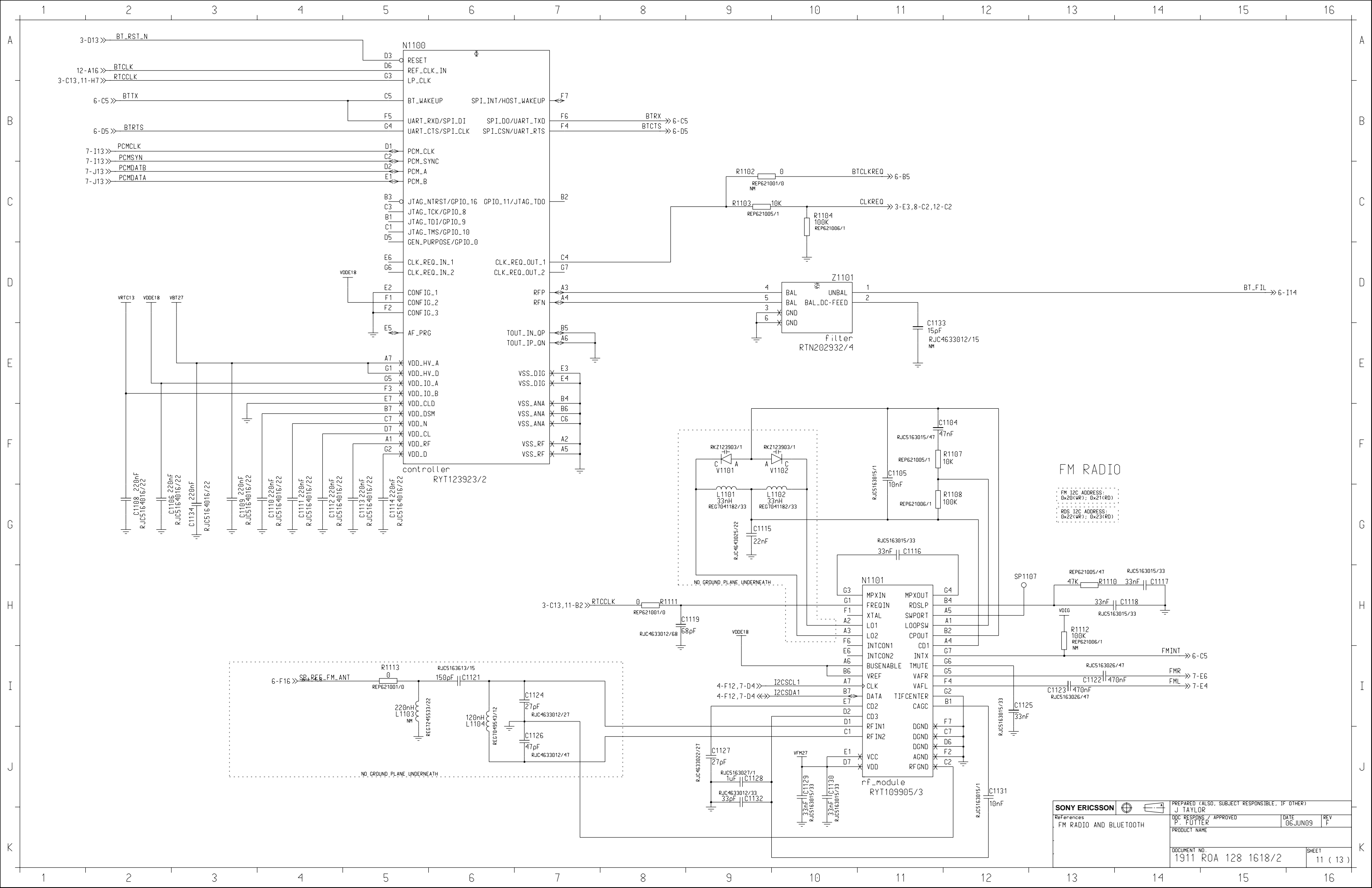
NOTE 1
 Change sense lines, pin D2 and D3 on N702, should be routed together and connected directly to pads for R802 (no current conducting via allowed between connection point and pad).
 FG sense lines, pin F11 and F12 on N702, should be routed together and connected directly to pads for R800 (no current conducting via allowed between connection point and pad).



| | | | |
|-------------------------------------------------------------------------|----------|-------------------------------------------------------------|--|
| SONY ERICSSON Vincenne 2 System Power and External Regulators | | PREPARED (ALSO, SUBJECT RESPONSIBLE, IF OTHER) J. TAYLOR | |
| DATE 06 JUN 09 | REV F | APPROVED P. FUTTER | |
| DOCUMENT NO. 1911 ROA 128 1618/2 | | SHEET 8 (13) | |







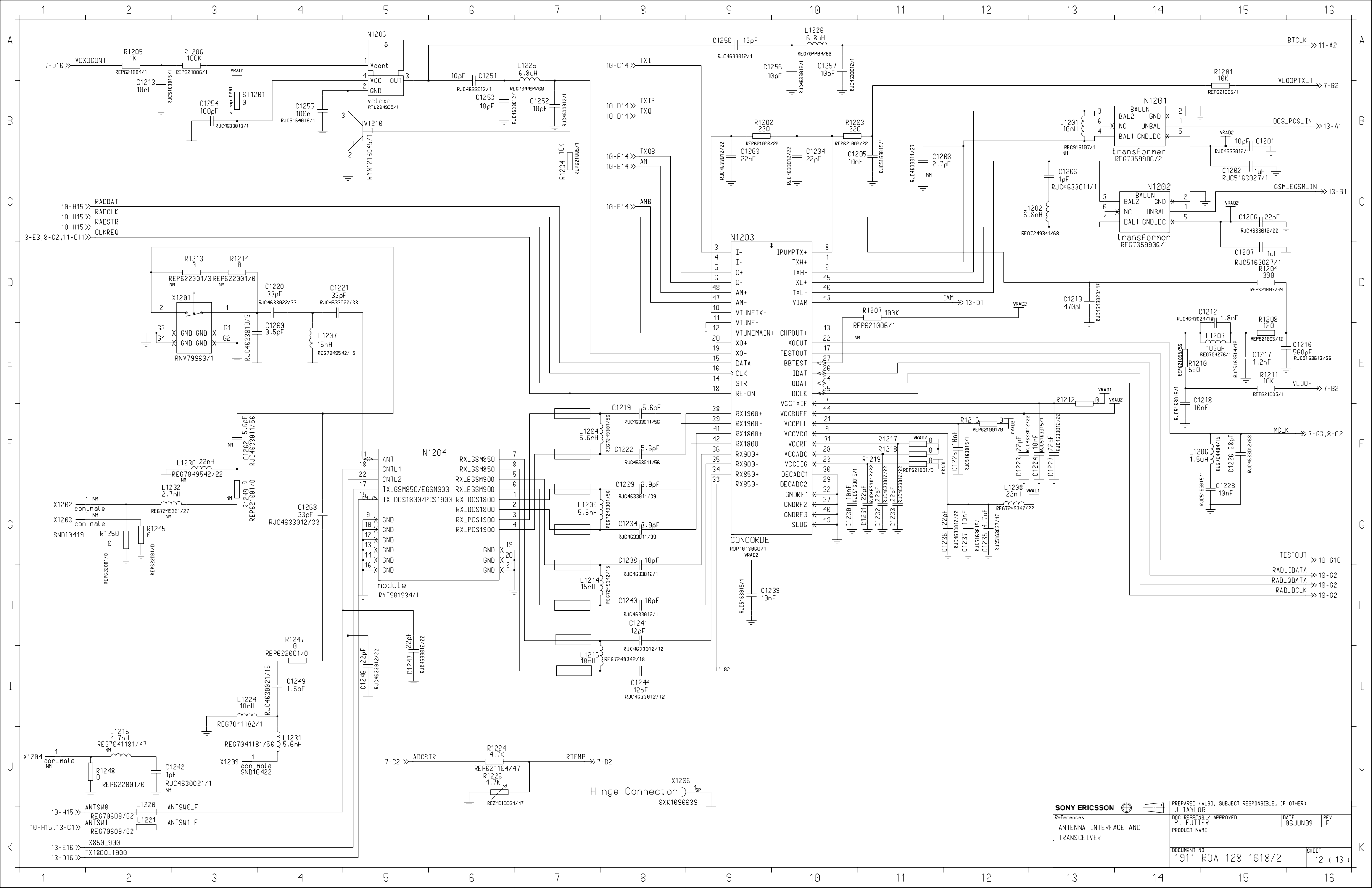
FM RADIO

FM I2C ADDRESS:
0x20(WR); 0x21(RD)
RDS I2C ADDRESS:
0x22(WR); 0x23(RD)



PREPARED (ALSO, SUBJECT RESPONSIBLE, IF OTHER)
J TAYLOR
QC RESPONSE / APPROVED
P. FUTTER
DATE 06JUN09
REV F

DOCUMENT NO.
1911 ROA 128 1618/2
SHEET
11 (13)

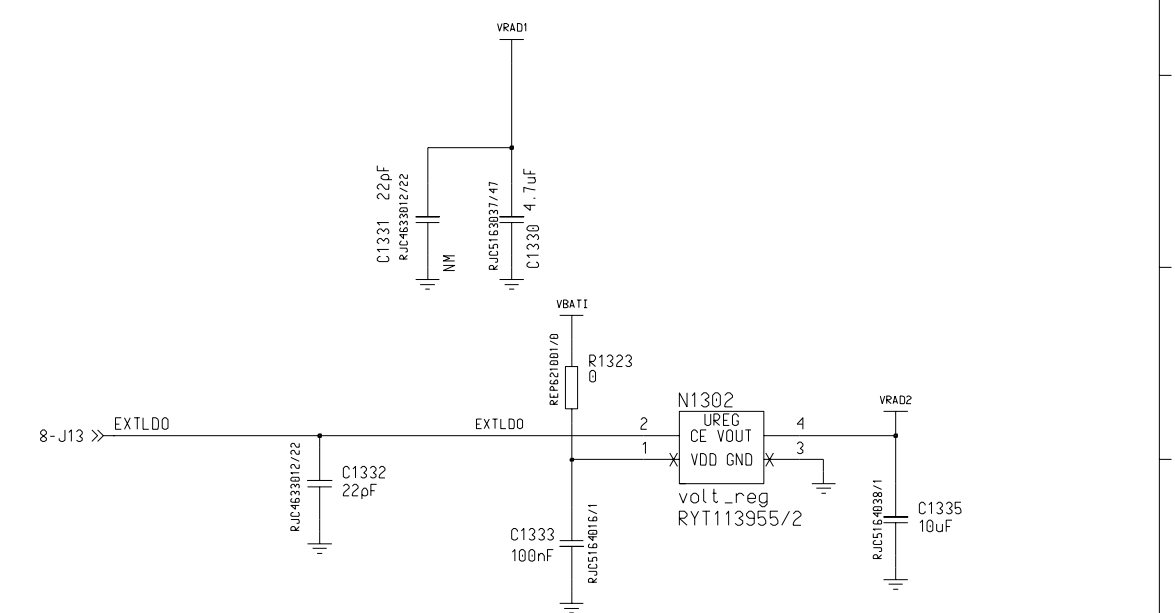
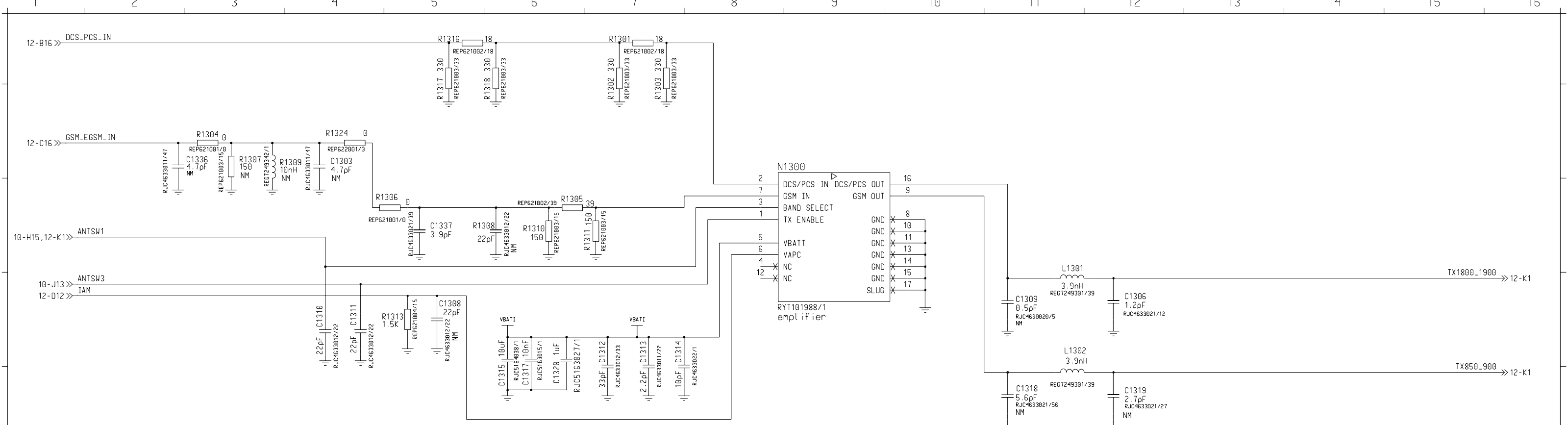


| | | | |
|-----------------------------------|--|-----------|-----|
| SONY ERICSSON | | | |
| References | | | |
| ANTENNA INTERFACE AND TRANSCEIVER | | DATE | REV |
| DOCUMENT NO. | | SHEET | |
| 1911 ROA 128 1618/2 | | 12 (13) | |

PREPARED (ALSO, SUBJECT RESPONSIBLE, IF OTHER)
 J. TAYLOR
 QC RESPONSIBLE / APPROVED
 P. FUTTER
 PRODUCT NAME

DATE 06JUN09
 REV F

Hinge Connector
 X1206
 SXK1096639



| | | | |
|-------------------------------------------------------|--|------------------------------------------------------------|-----------------|
| SONY ERICSSON | | PREPARED (ALSO, SUBJECT RESPONSIBLE, IF OTHER) J TAYLOR | |
| References TX POWER AMPLIFIER AND PA CONTROLLER | | QC RESPONSE / APPROVED P. FUTTER | DATE 06JUN09 |
| | | PRODUCT NAME | REV F |
| DOCUMENT NO. 1911 ROA 128 1618/2 | | SHEET 13 (13) | |