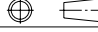
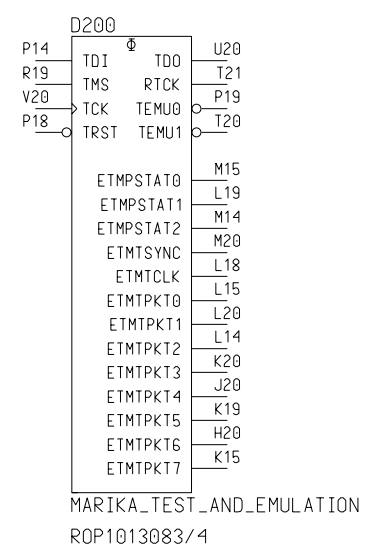
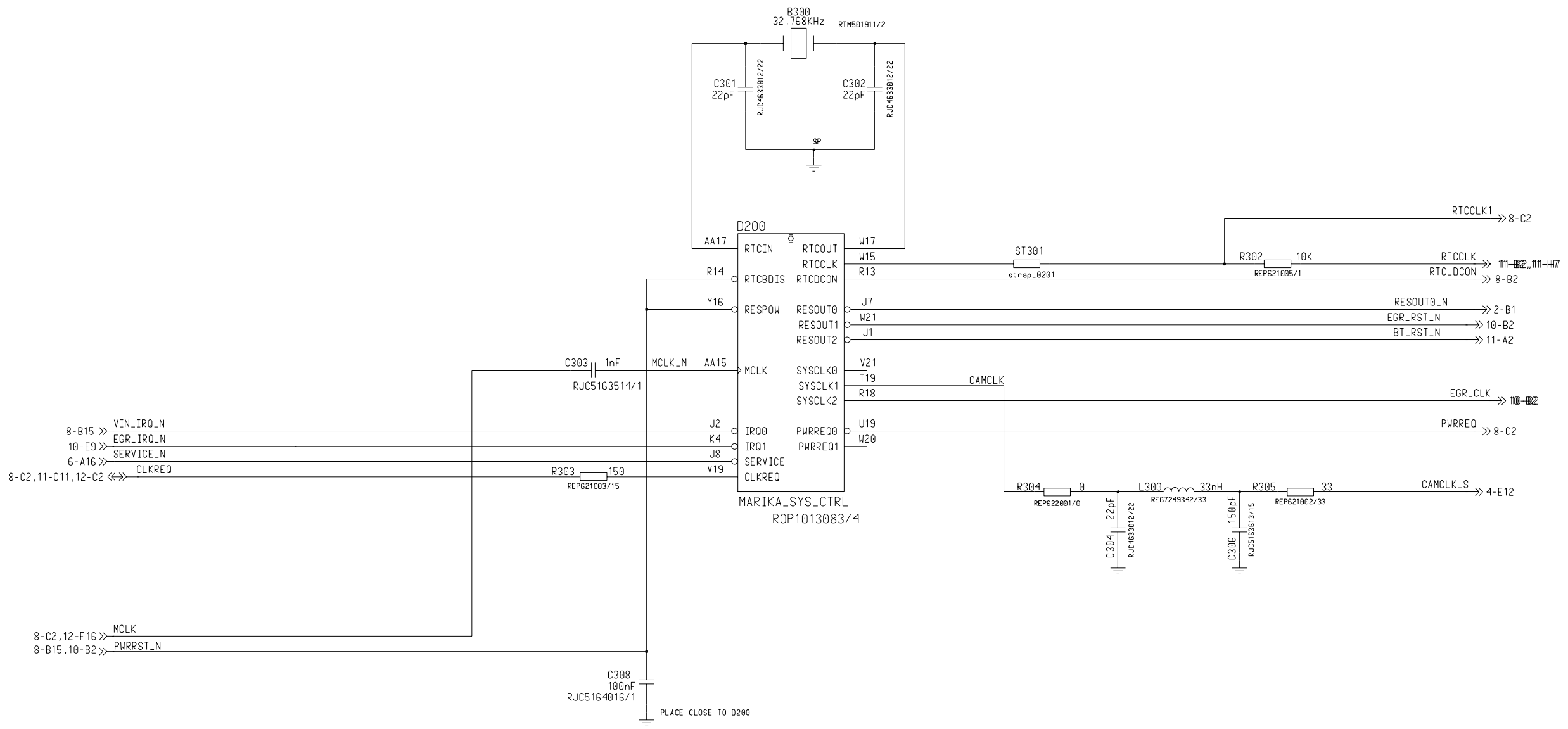
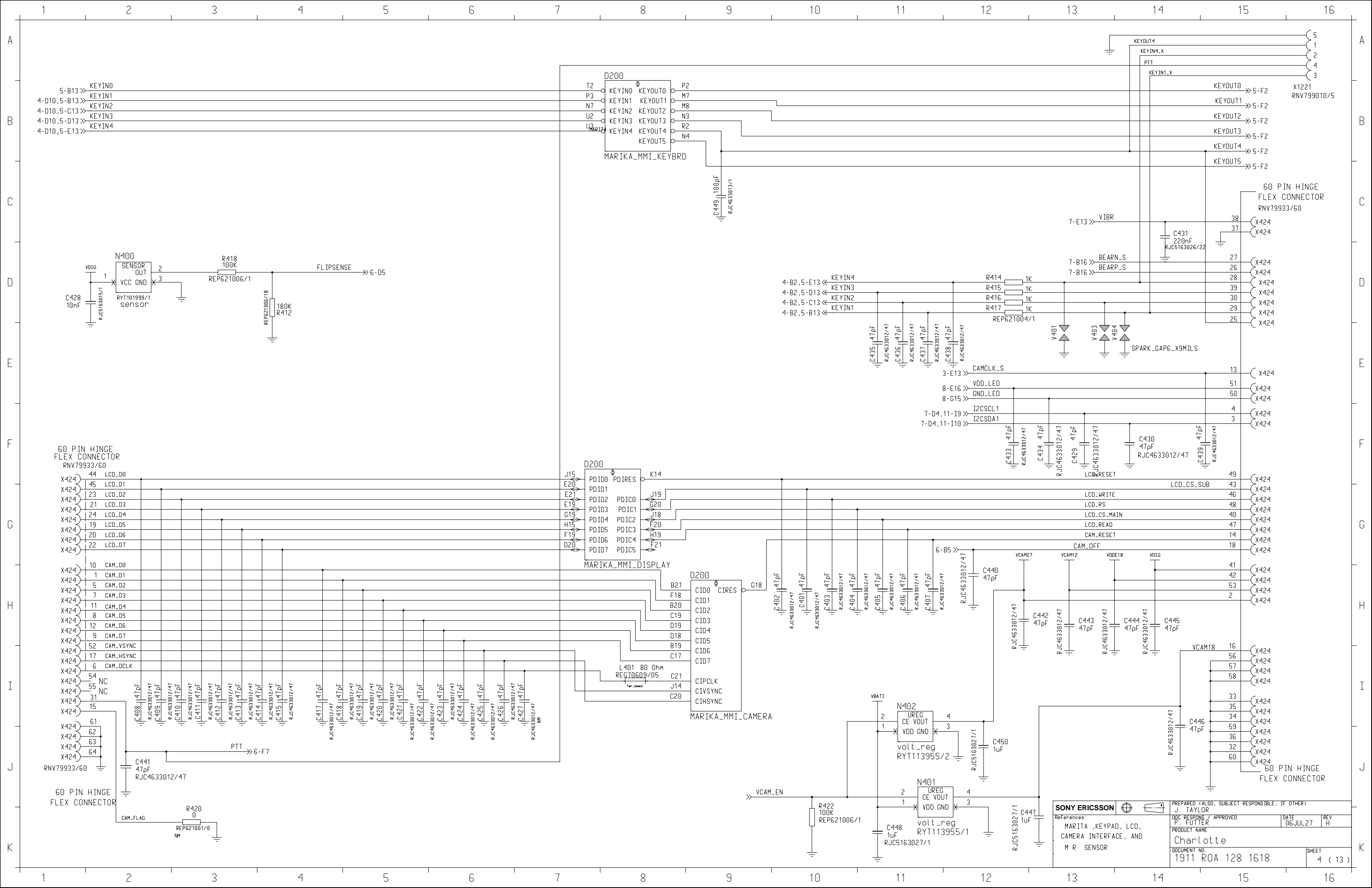


2. MEMORY STICK, MARIKA, MEMORY AND EDGAR EMIF.
3. MARIKA, CLOCKS, RESETS AND JTAG
4. MARIKA ,KEYPAD, LCD, CAMERA INTERFACE, AND M.R. SENSOR
5. KEYPAD MATRIX, BACKLIGHTING, ILLUMINATION AND ACCELEROMETER
6. MARIKA GPIO, USB, IRDA AND SYSTEM CONNECTOR
7. VINCENNE 2 AUDIO, ADC, DACS, TJATTE3 AND SIM
8. VINCENNE 2 SYSTEM POWER AND EXTERNAL REGULATORS
9. POWER AND GND
10. BB TO RF INTERFACE
11. FM RADIO AND BLUETOOTH
12. ANTENNA INTERFACE AND TRANSCEIVER
13. TX POWER AMPLIFIER AND PA CONTROLLER

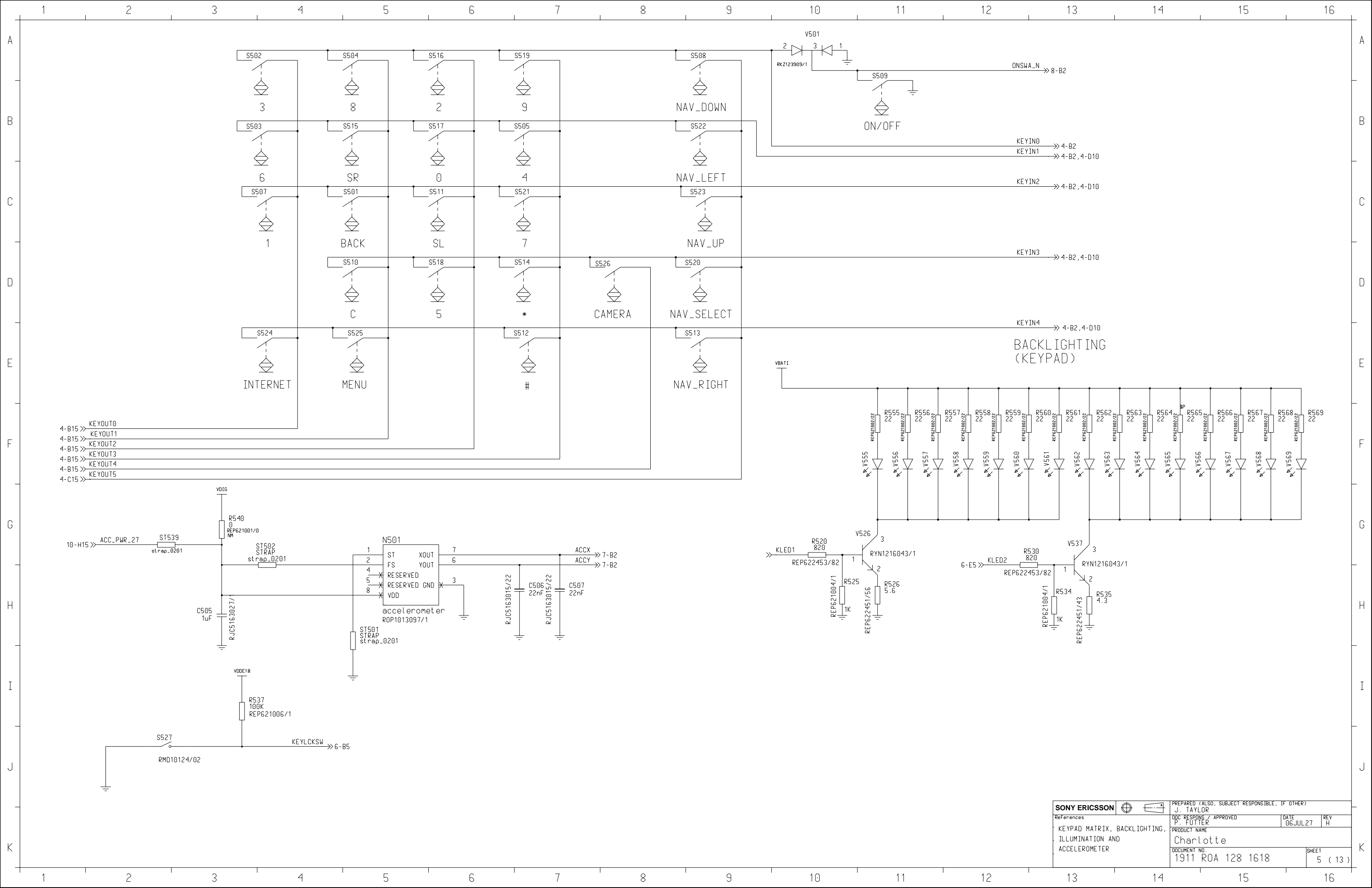
References				PREPARED (ALSO, SUBJECT RESPONSIBLE, IF OTHER) J. TAYLOR		
	QDC RESPONSE / APPROVED P. FUTER		DATE 06JUL27	REV H		
	PRODUCT NAME Charlotte					
	DOCUMENT NO. 1911 ROA 128 1618				SHEET 1 (13)	



SONY ERICSSON		PREPARED (ALSO, SUBJECT RESPONSIBLE, IF OTHER) J. TAYLOR	
References	QC RESPONSE / APPROVED	DATE	REV
MARIKA CLOCKS AND RESETS	P. FUTTER	06JUL27	H
PRODUCT NAME Charlotte			
DOCUMENT NO. 1911 ROA 128 1618			SHEET 3 (13)



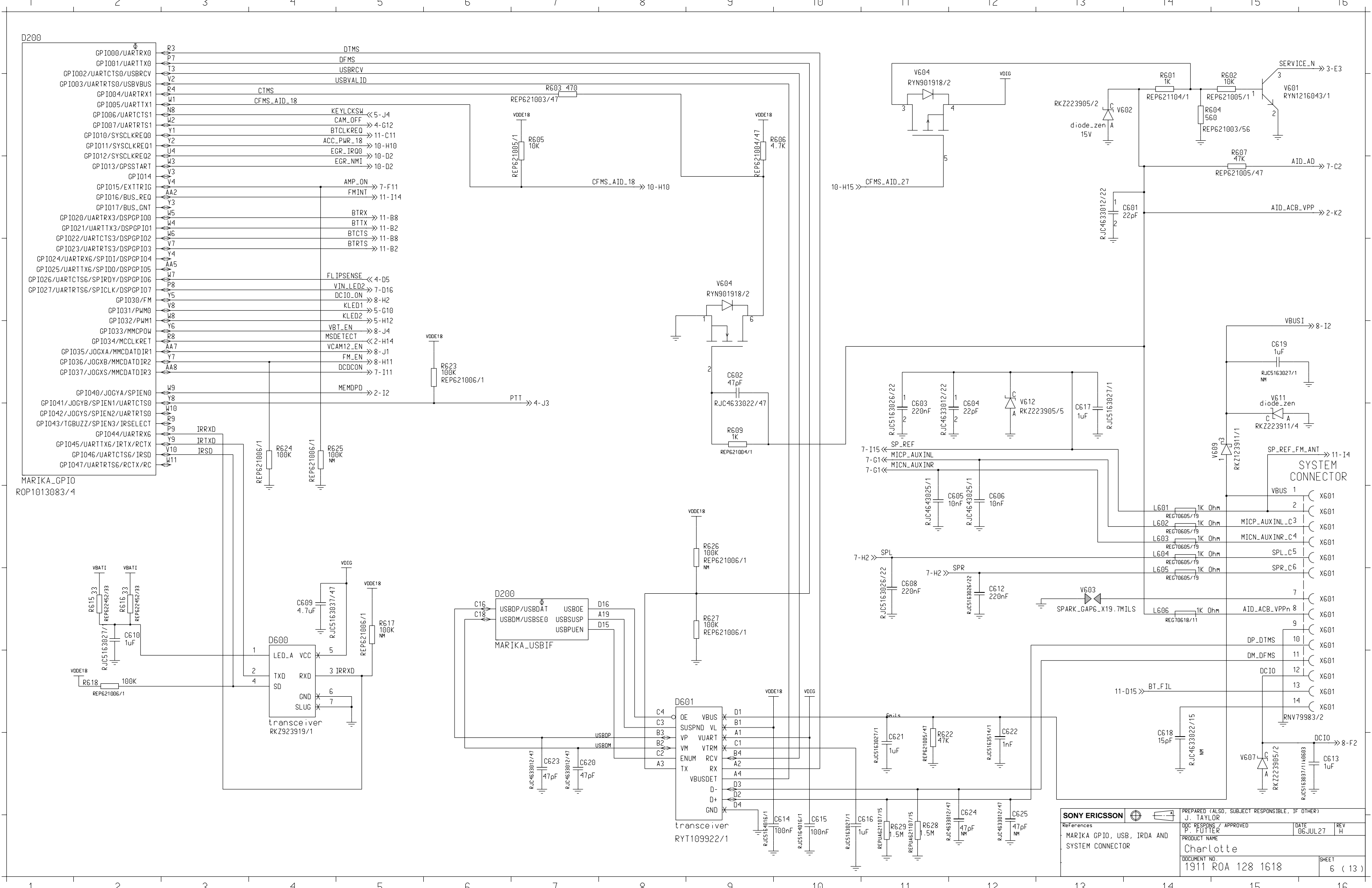
SONY ERICSSON		PREPARED (ALSO, SUBJECT RESPONSIBLE, IF OTHER) J. TAYLOR	
References MARITA ,KEYPAD, LCD, CAMERA INTERFACE, AND M R SENSOR		QC RESPONDS / APPROVED P. FUTTER	
PRODUCT NAME Charlotte		DATE 06JUL27	
DOCUMENT NO. 1911 ROA 128 1618		REV H	
SHEET 4 (13)			



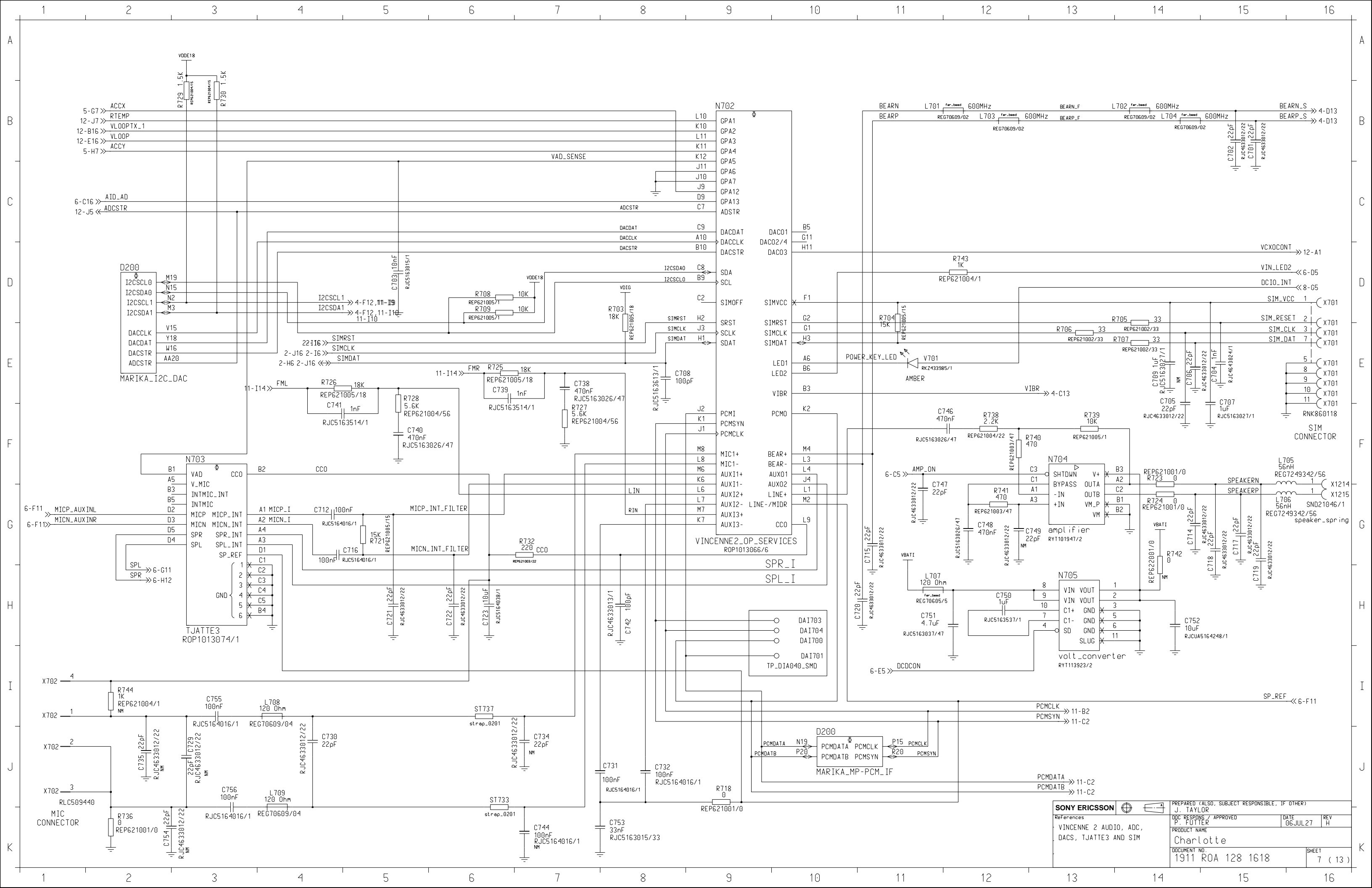
- 4-B15 >> KEYOUT0
- 4-B15 >> KEYOUT1
- 4-B15 >> KEYOUT2
- 4-B15 >> KEYOUT3
- 4-B15 >> KEYOUT4
- 4-C15 >> KEYOUT5

BACKLIGHTING
(KEYPAD)

SONY ERICSSON		PREPARED (ALSO, SUBJECT RESPONSIBLE, IF OTHER) J. TAYLOR	
References	QC RESPONSE / APPROVED P. FUTTER	DATE 06JUL27	REV H
KEYPAD MATRIX, BACKLIGHTING, ILLUMINATION AND ACCELEROMETER			
PRODUCT NAME Charlotte			SHEET 5 (13)
DOCUMENT NO. 1911 ROA 128 1618			

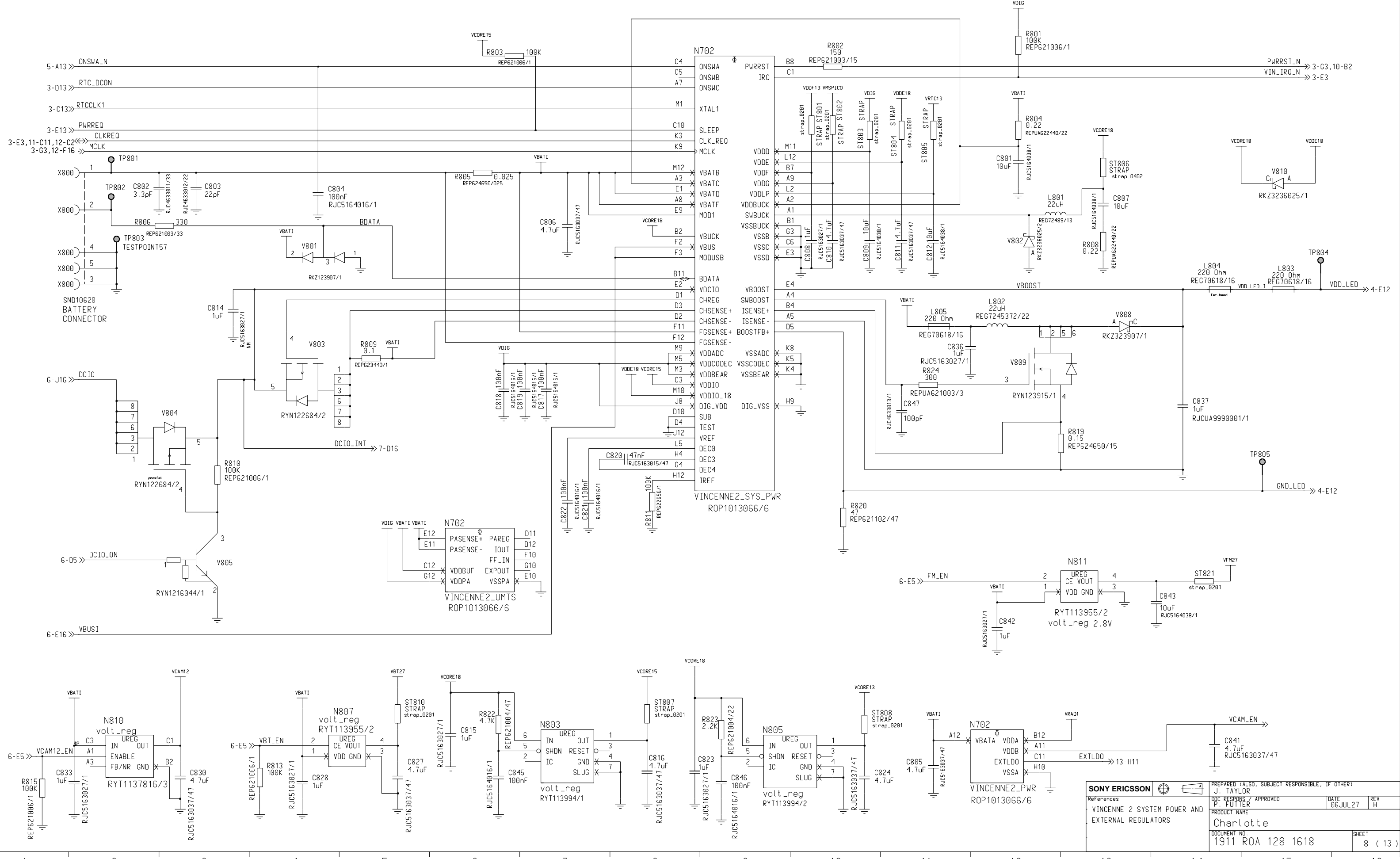


SONY ERICSSON			
PREPARED (ALSO, SUBJECT RESPONSIBLE, IF OTHER) J. TAYLOR			
References MARIKA GPIO, USB, IRDA AND SYSTEM CONNECTOR		QC RESPONDED APPROVED P. FUTTER	
PRODUCT NAME Charlotte		DATE 06JUL27	
DOCUMENT NO. 1911 ROA 128 1618		REV H	
SHEET 6 (13)			REV H

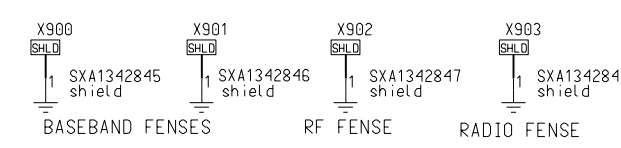
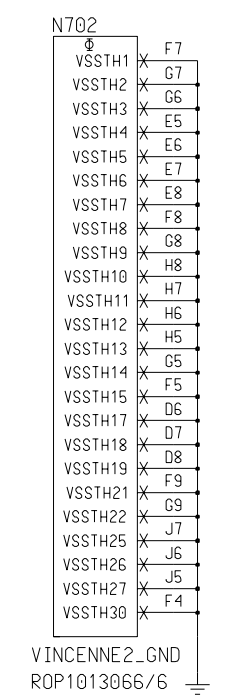
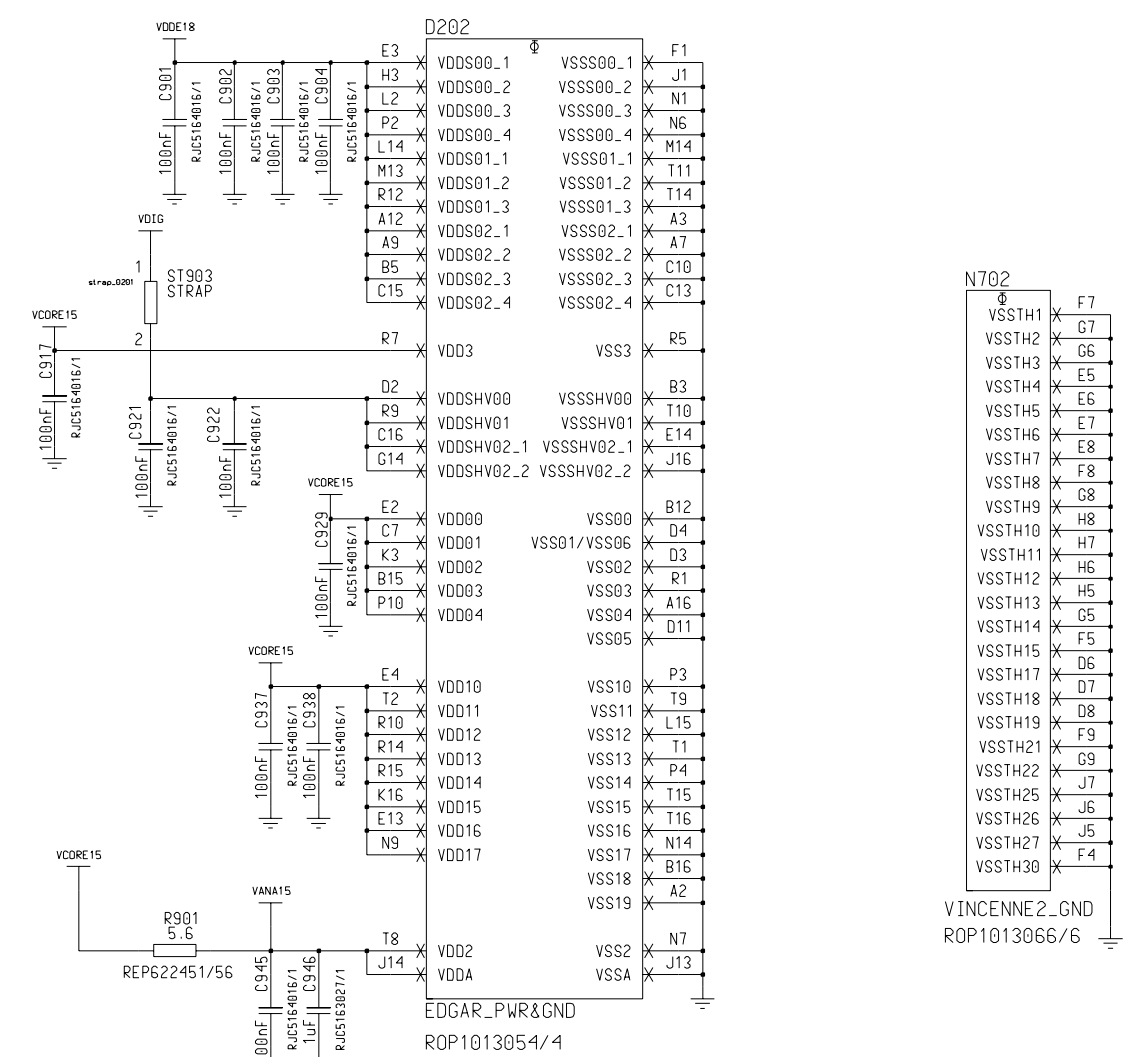
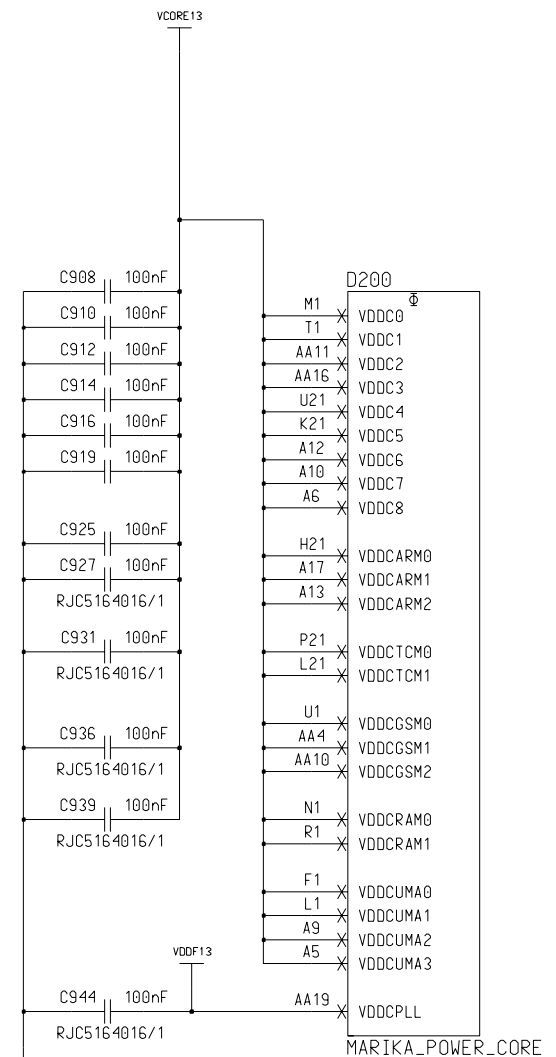
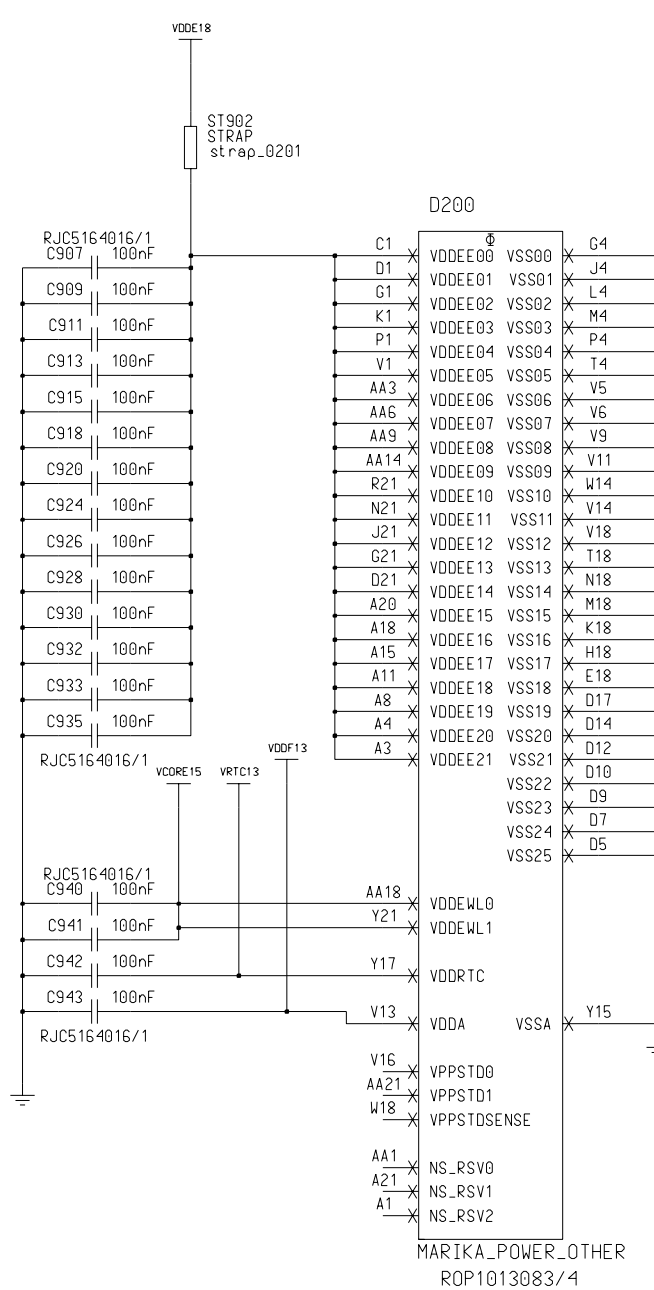
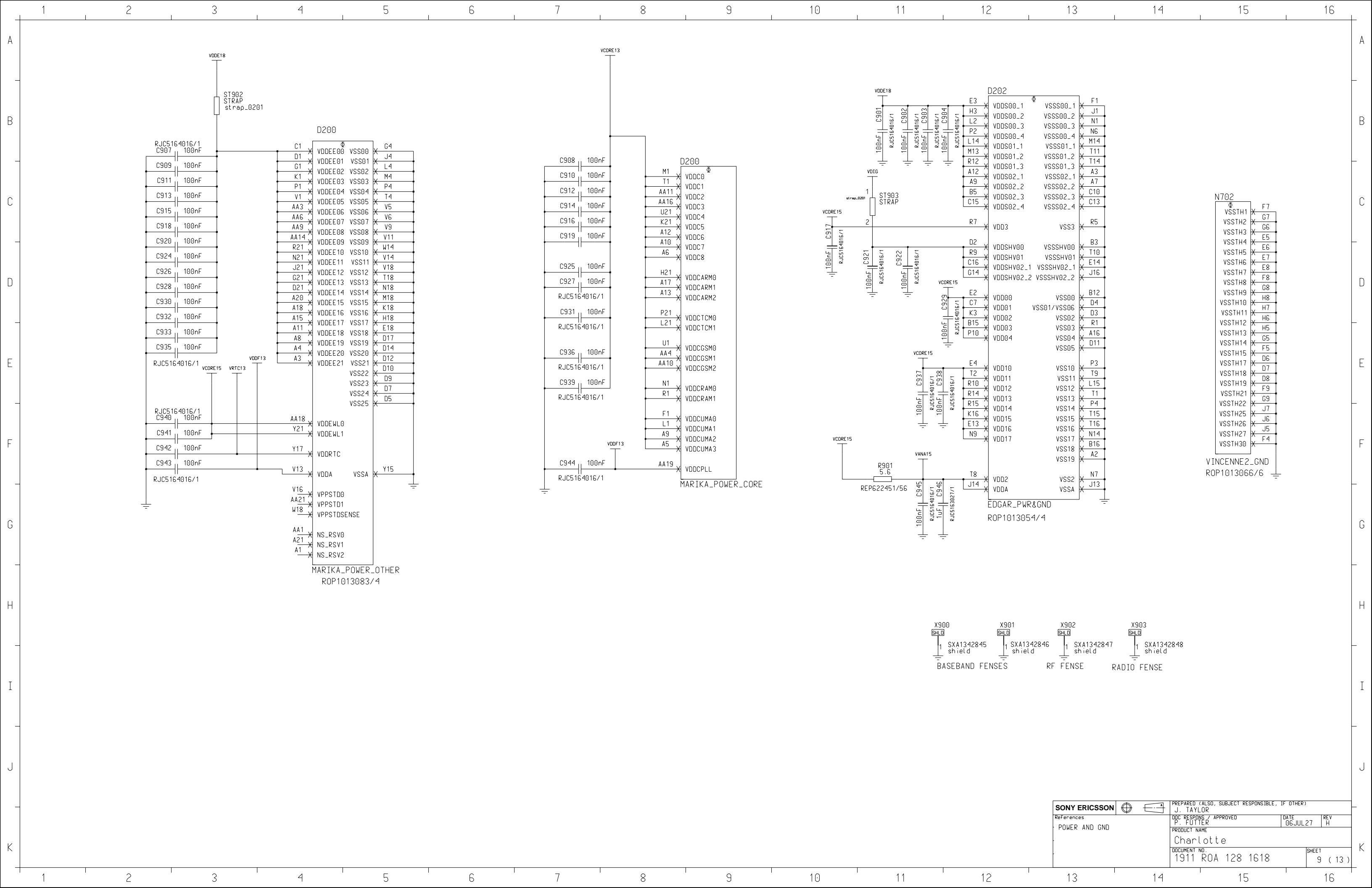


SONY ERICSSON		PREPARED (ALSO, SUBJECT RESPONSIBLE, IF OTHER)	
References		J. TAYLOR	
VINCENNE 2 AUDIO, ADC, DACS, TJATTE3 AND SIM		QC RESPONSE / APPROVED	
PRODUCT NAME		DATE 06JUL27	
Charlotte		REV H	
DOCUMENT NO. 1911 ROA 128 1618		SHEET 7 (13)	

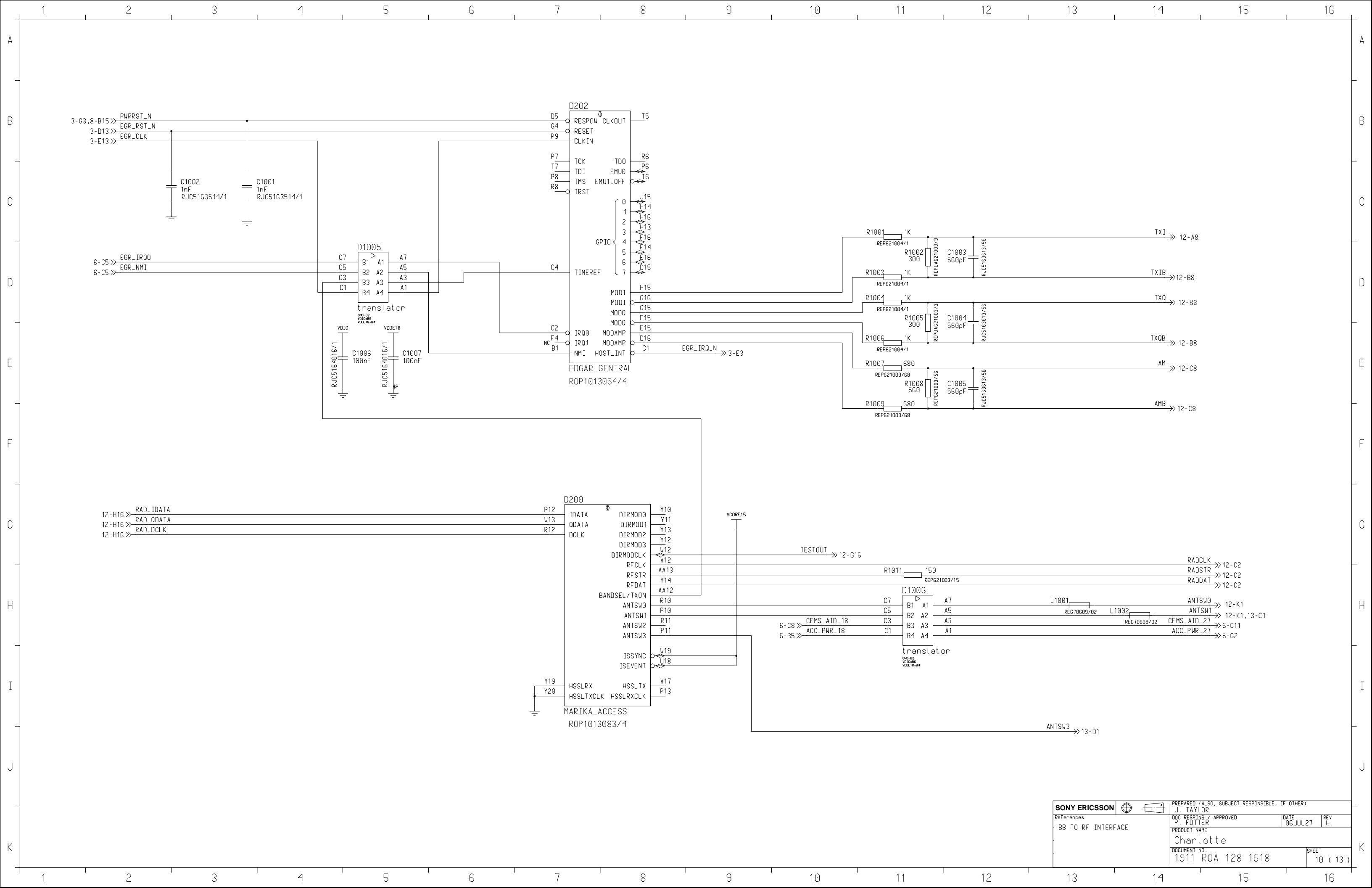
NOTE 1
 Change sense lines, pin D2 and D3 on N702, should be routed together and connected directly to pads for R802 (no current conducting via allowed between connection point and pad).
 FG sense lines, pin F11 and F12 on N702, should be routed together and connected directly to pads for R800 (no current conducting via allowed between connection point and pad).



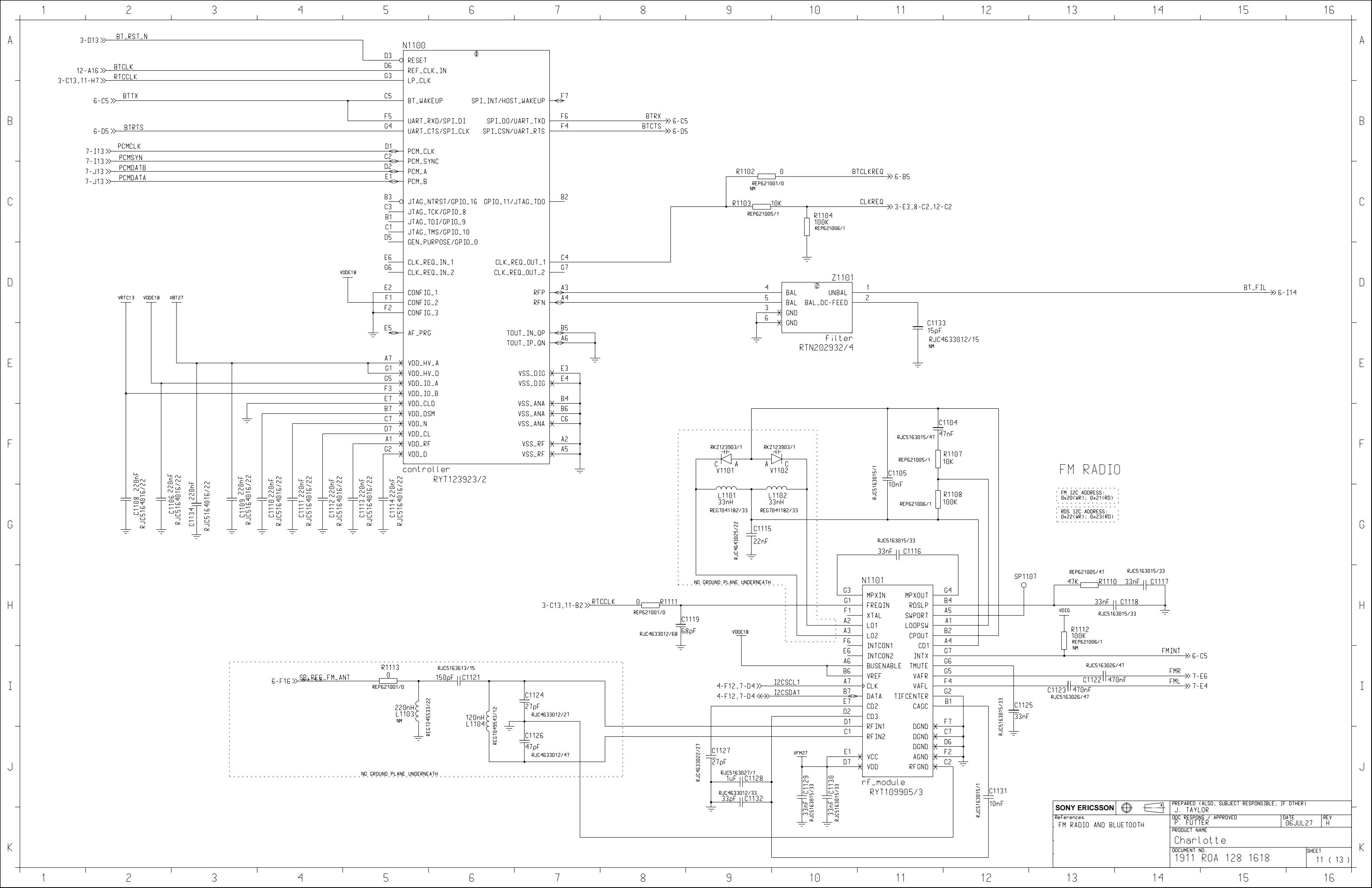
SONY ERICSSON References VINRENNE 2 SYSTEM POWER AND EXTERNAL REGULATORS		PREPARED (ALSO, SUBJECT RESPONSIBLE, IF OTHER) J. TAYLOR DATE 06JUL27 REV H	
PRODUCT NAME Charlotte		SHEET 8 (13)	
DOCUMENT NO. 1911 ROA 128 1618		DATE 06JUL27	



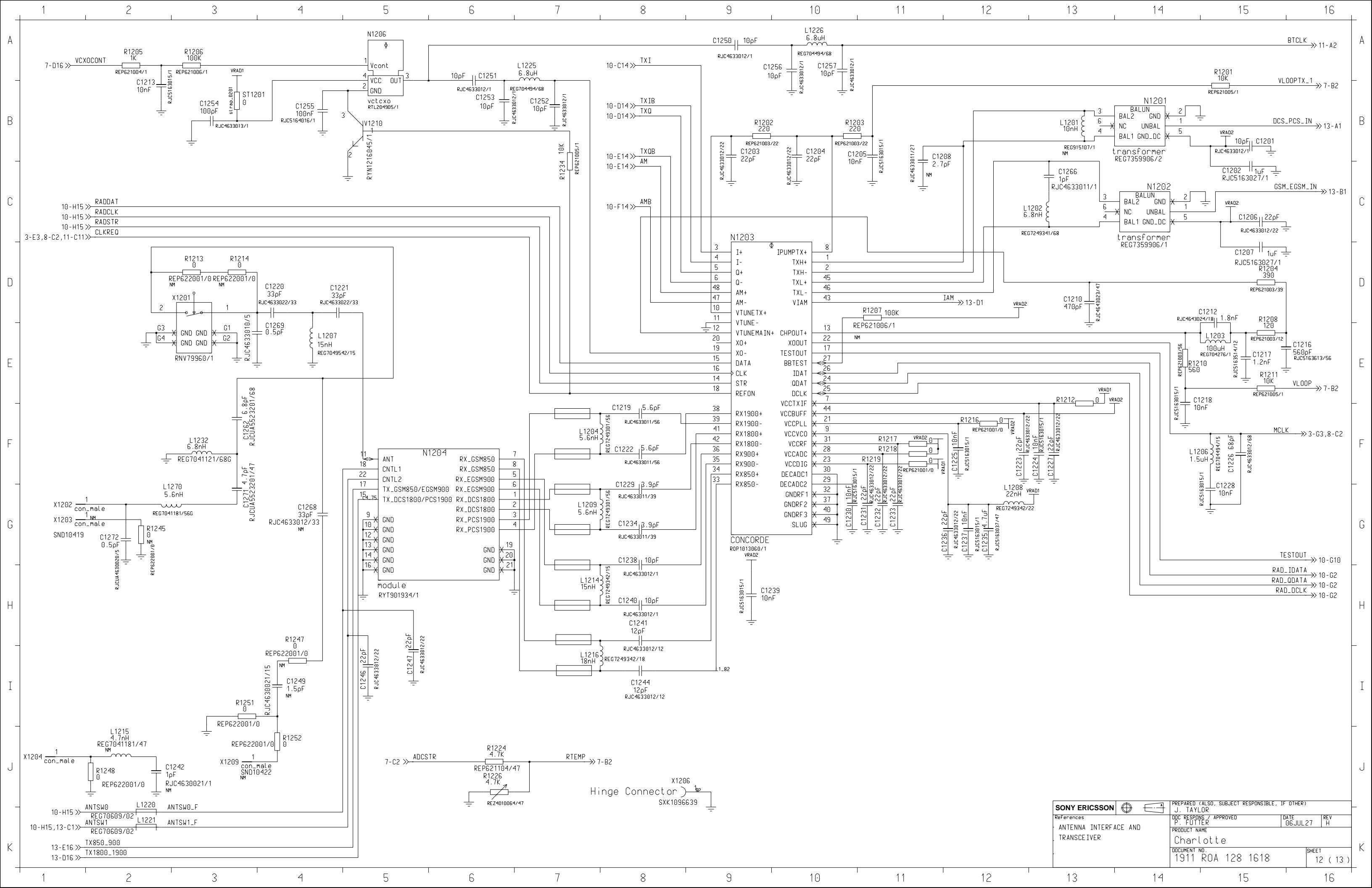
SONY ERICSSON		PREPARED (ALSO, SUBJECT RESPONSIBLE, IF OTHER) J. TAYLOR	
References POWER AND GND	QC RESPONSE / APPROVED P. FUTTER	DATE 06JUL27	REV H
PRODUCT NAME Charlotte		DOCUMENT NO. 1911 ROA 128 1618	
		SHEET 9 (13)	



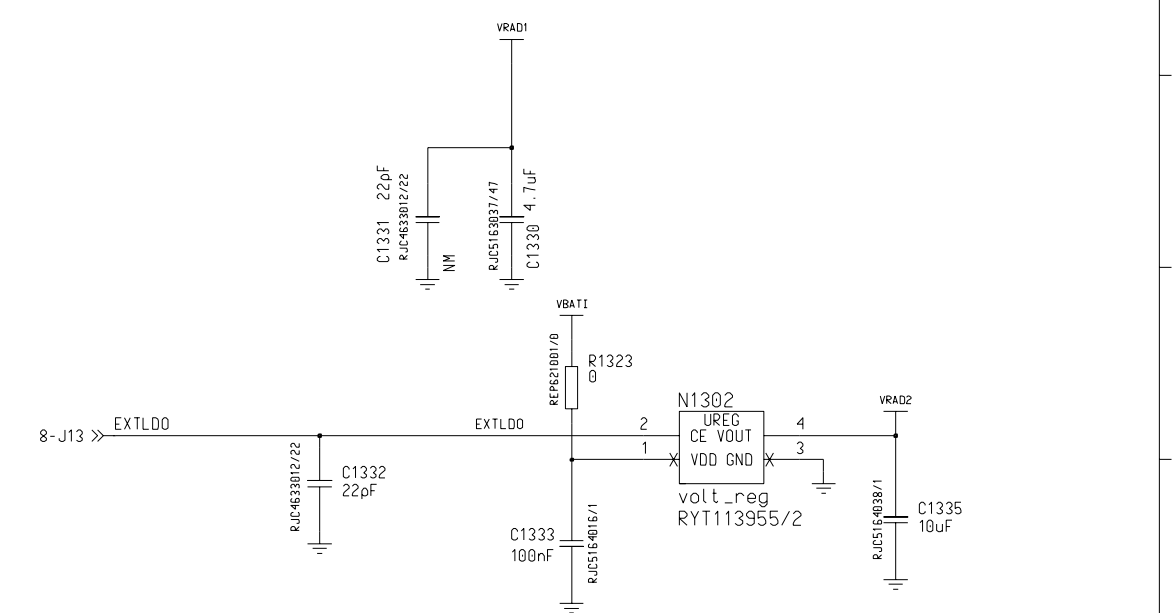
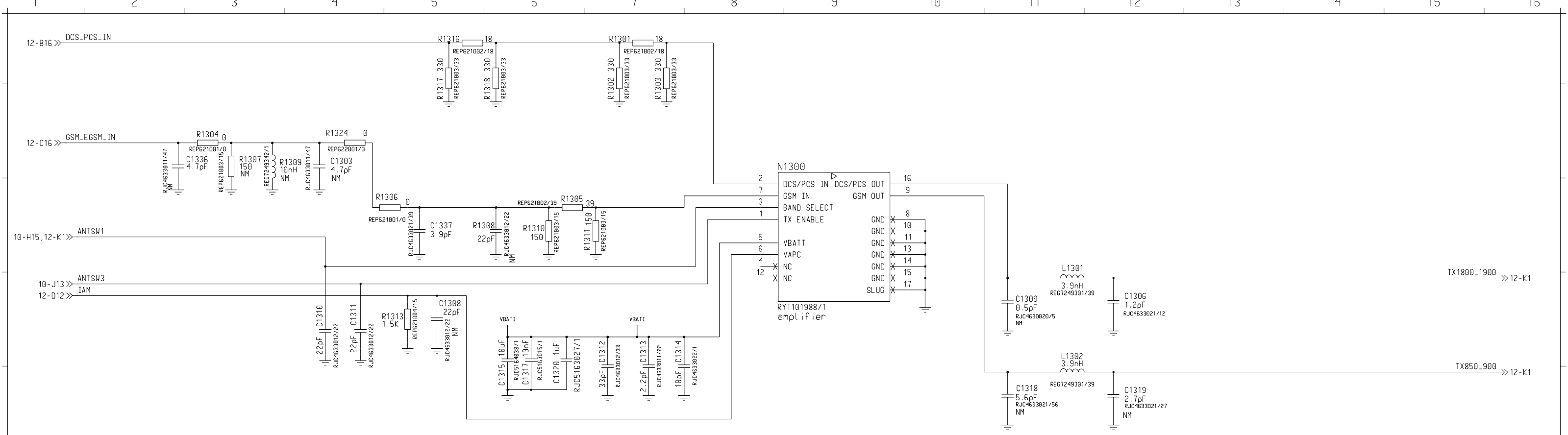
SONY ERICSSON		PREPARED (ALSO, SUBJECT RESPONSIBLE, IF OTHER) J. TAYLOR	
References	QC RESPONSE / APPROVED	DATE	REV
BB TO RF INTERFACE	P. FUTTER	06JUL27	H
PRODUCT NAME Charlotte			
DOCUMENT NO. 1911 ROA 128 1618			SHEET 10 (13)



SONY ERICSSON		PREPARED (ALSO, SUBJECT RESPONSIBLE, IF OTHER)	
References		J. TAYLOR	
FM RADIO AND BLUETOOTH		QC RESPON / APPROVED	
		P. FUTTER	
		DATE	
		06JUL27	
		REV	
		H	
		PRODUCT NAME	
		Charlotte	
		DOCUMENT NO.	
		1911 ROA 128 1618	
		SHEET	
		11 (13)	



SONY ERICSSON		PREPARED (ALSO, SUBJECT RESPONSIBLE, IF OTHER)	
References	J. TAYLOR	DATE	REV
ANTENNA INTERFACE AND TRANSCEIVER	P. FUTTER	06JUL27	H
PRODUCT NAME		Charlotte	
DOCUMENT NO.		1911 ROA 128 1618	
SHEET		12 (13)	



SONY ERICSSON		PREPARED (ALSO, SUBJECT RESPONSIBLE, IF OTHER) J. TAYLOR	
References TX POWER AMPLIFIER AND PA CONTROLLER	QC RESPONSE / APPROVED P. FUTTER	DATE 06JUL27	REV H
PRODUCT NAME Charlotte		DOCUMENT NO. 1911 ROA 128 1618	
		SHEET 13 (13)	