



Component Placing, Electrical

Applicable for W710, Z710

Contents

1	Mounting drawing table	2
2	Mounting Drawing – Primary Side	3
3	Mounting Drawing – Secondary Side.....	4
4	Revision History	5



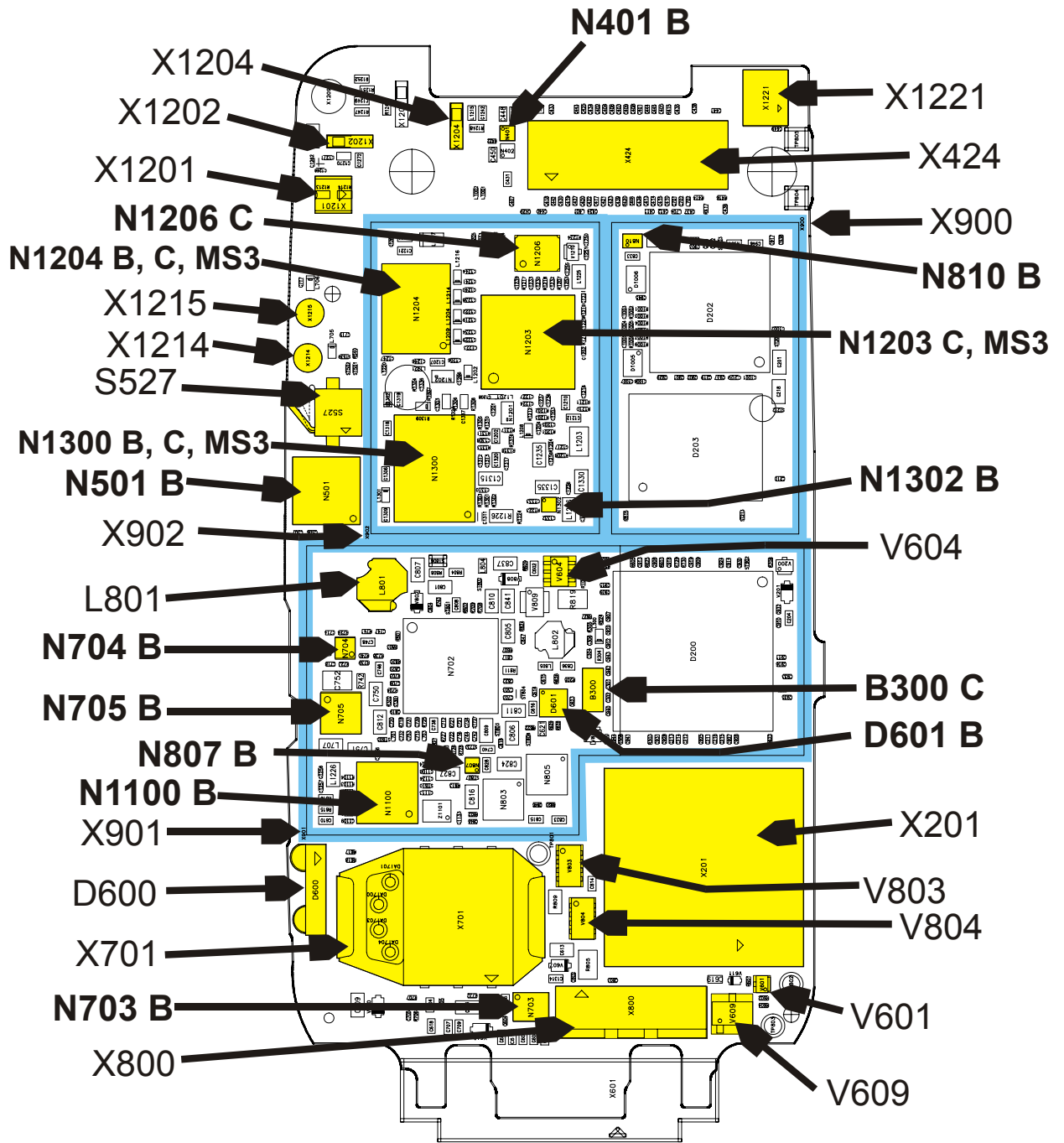
1 Mounting drawing table

Board Number
ROA1281618

A searchable drawing is not available for this product.



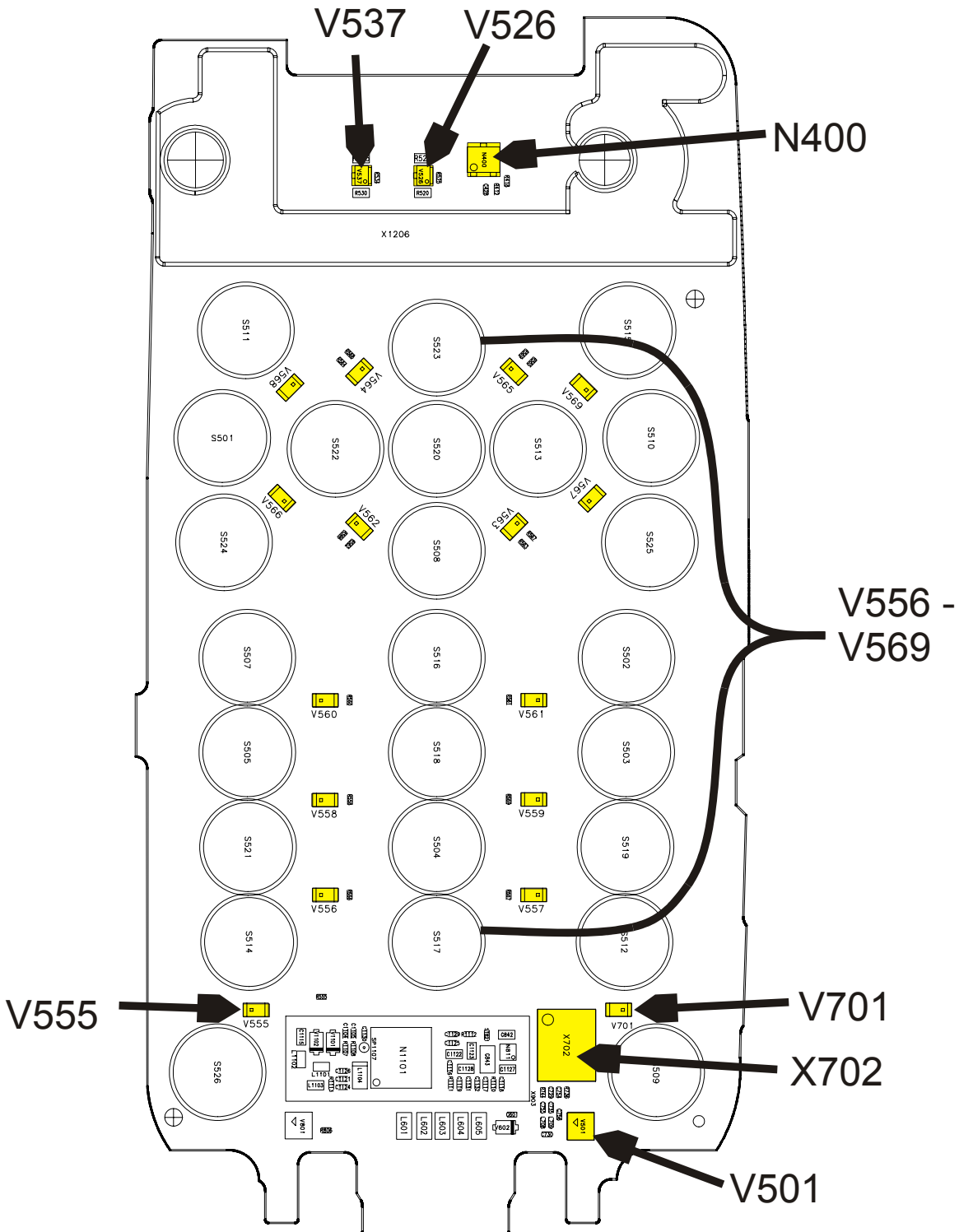
2 Mounting Drawing – Primary Side



B - BGA Rework Equipment Required
C - Calibration Required
MS - Moisture Sensitive - Baking Required



3 Mounting Drawing – Secondary Side



B - BGA Rework Equipment Required
C - Calibration Required
MS - Moisture Sensitive - Baking Required



4 Revision History

Rev.	Date	Changes / Comments
A	2006-Aug-29	Initial Release
B	2006-Nov-27	Removed N811 and X903 from FM radio section. These parts are not reparable. Attempting to remove the shield can causes solder ball shorts under the FM radio ASIC.