

8 CIRCUIT DIAGRAMS

8.1. GD52 Main PCB: Logic

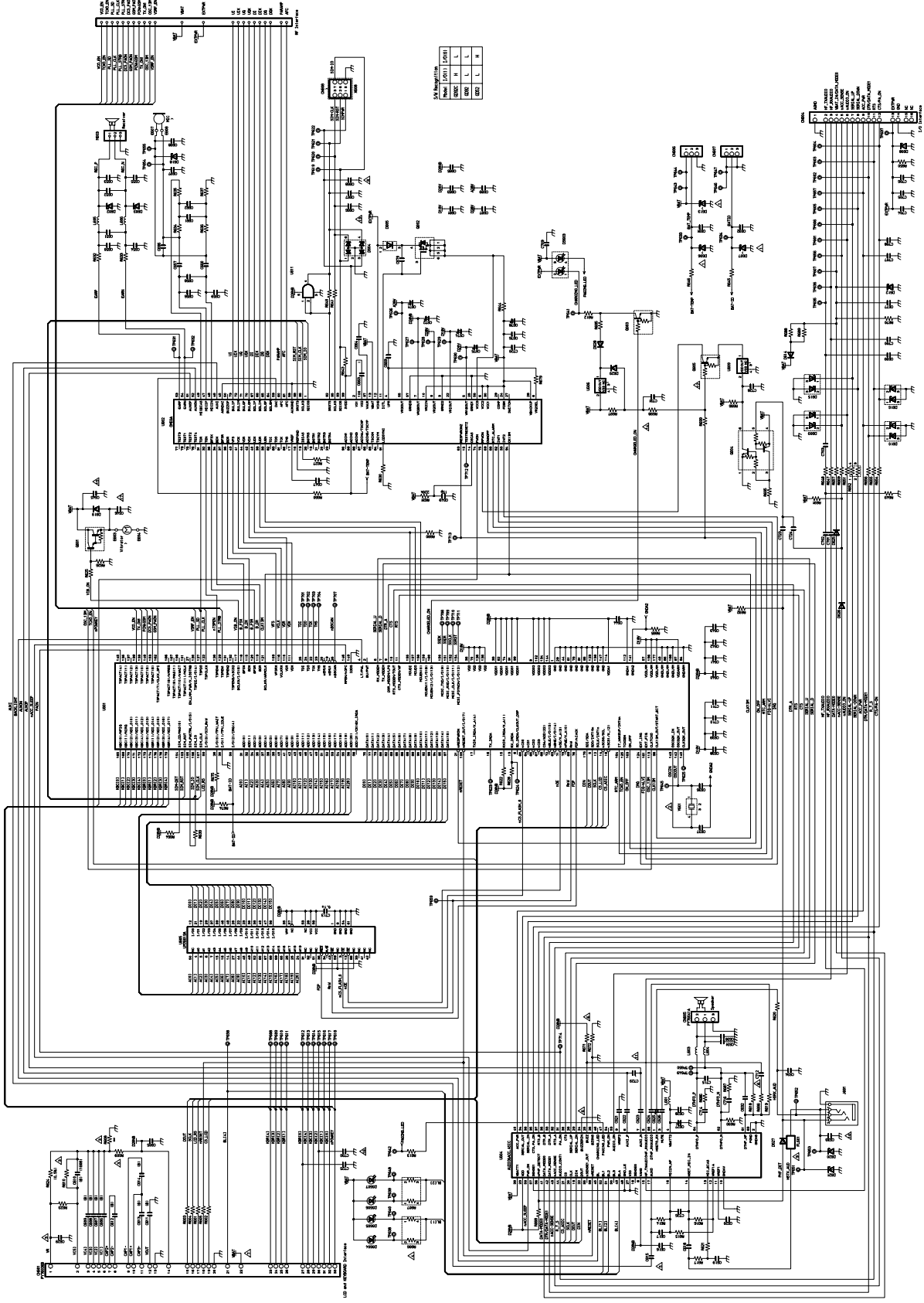


Figure 8.1: Main PCB: RF circuit diagram

8.2. GD52 Main PCB: RF

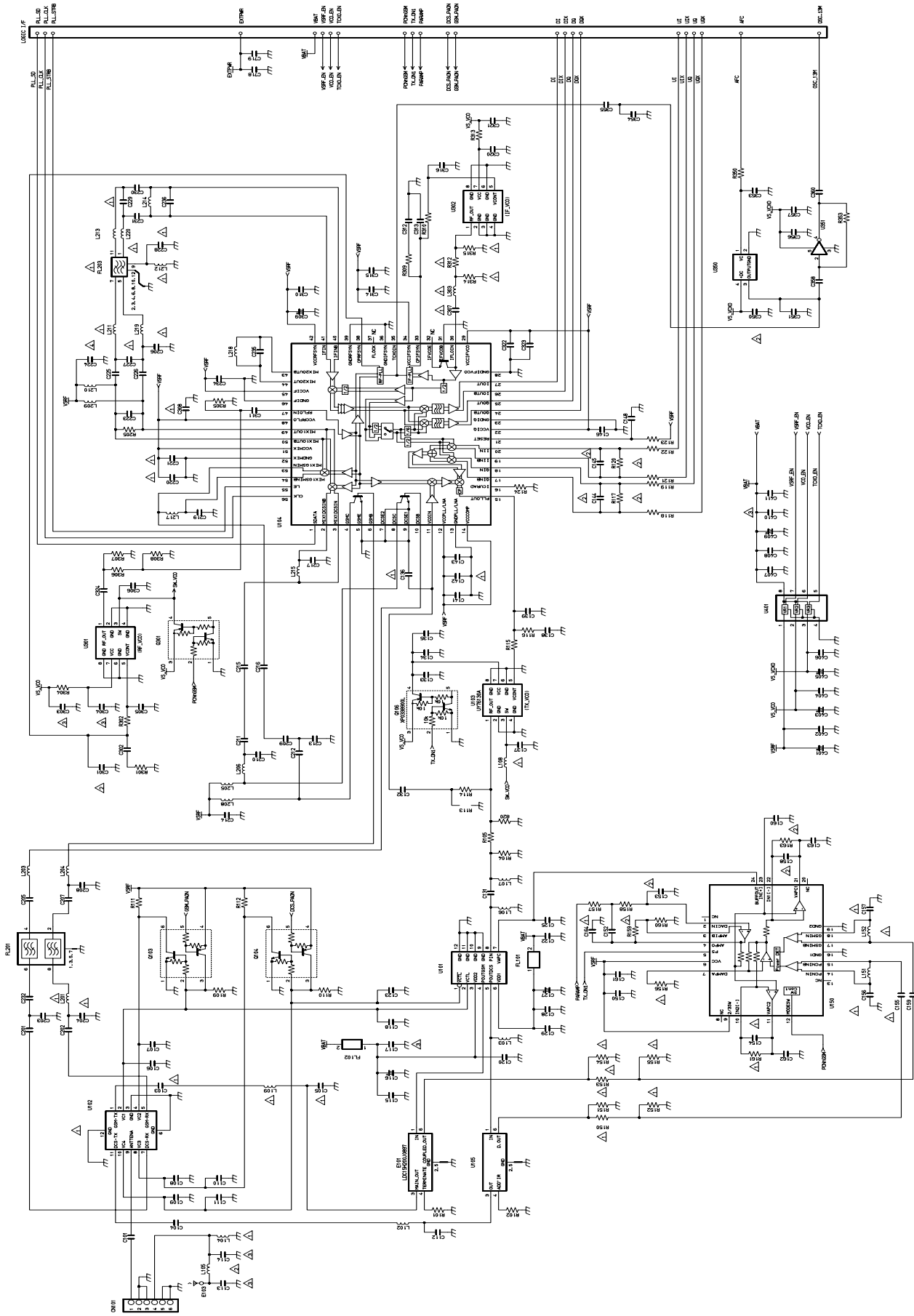
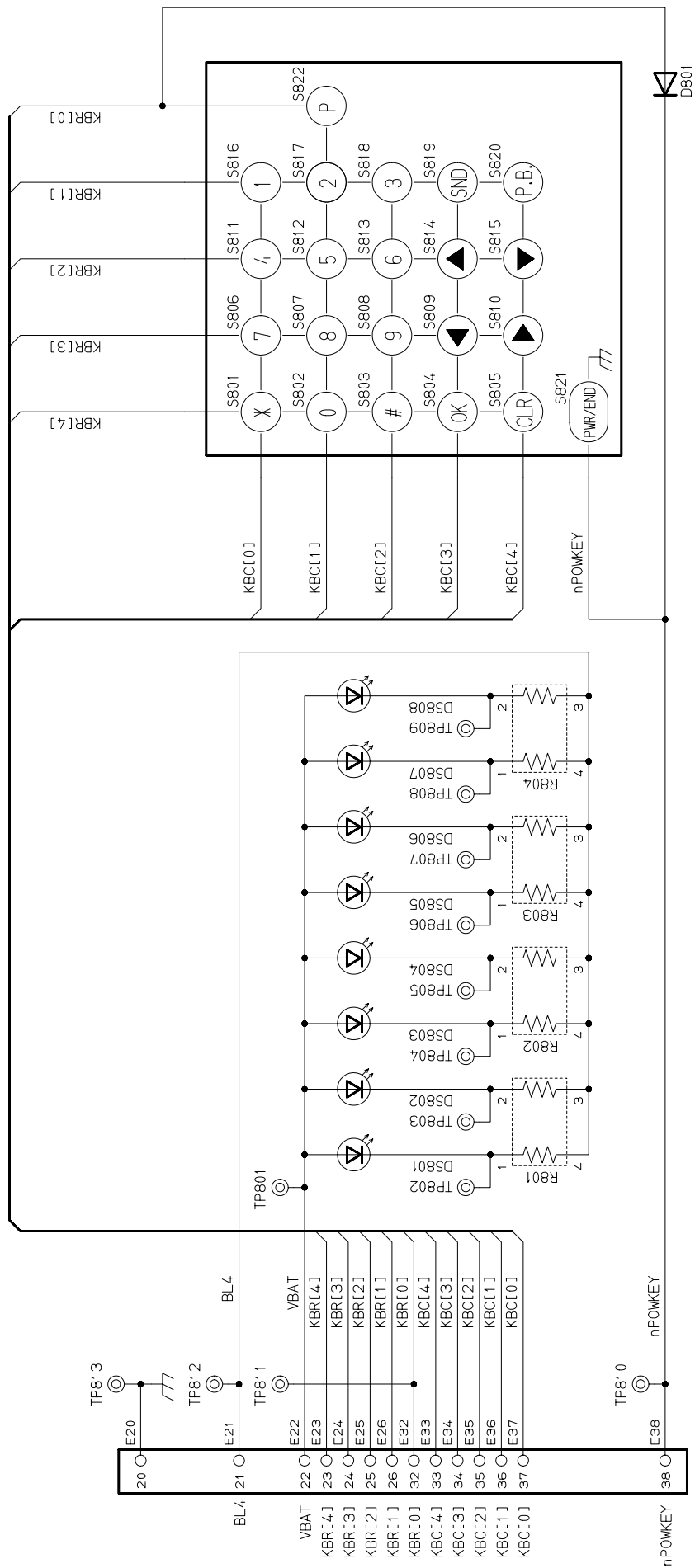


Figure 8.2: Main PCB: Logic circuit diagram

8.3. GD52 Keypad PCB



This page is intentionally blank

8.4. GD92 Main PCB: Logic

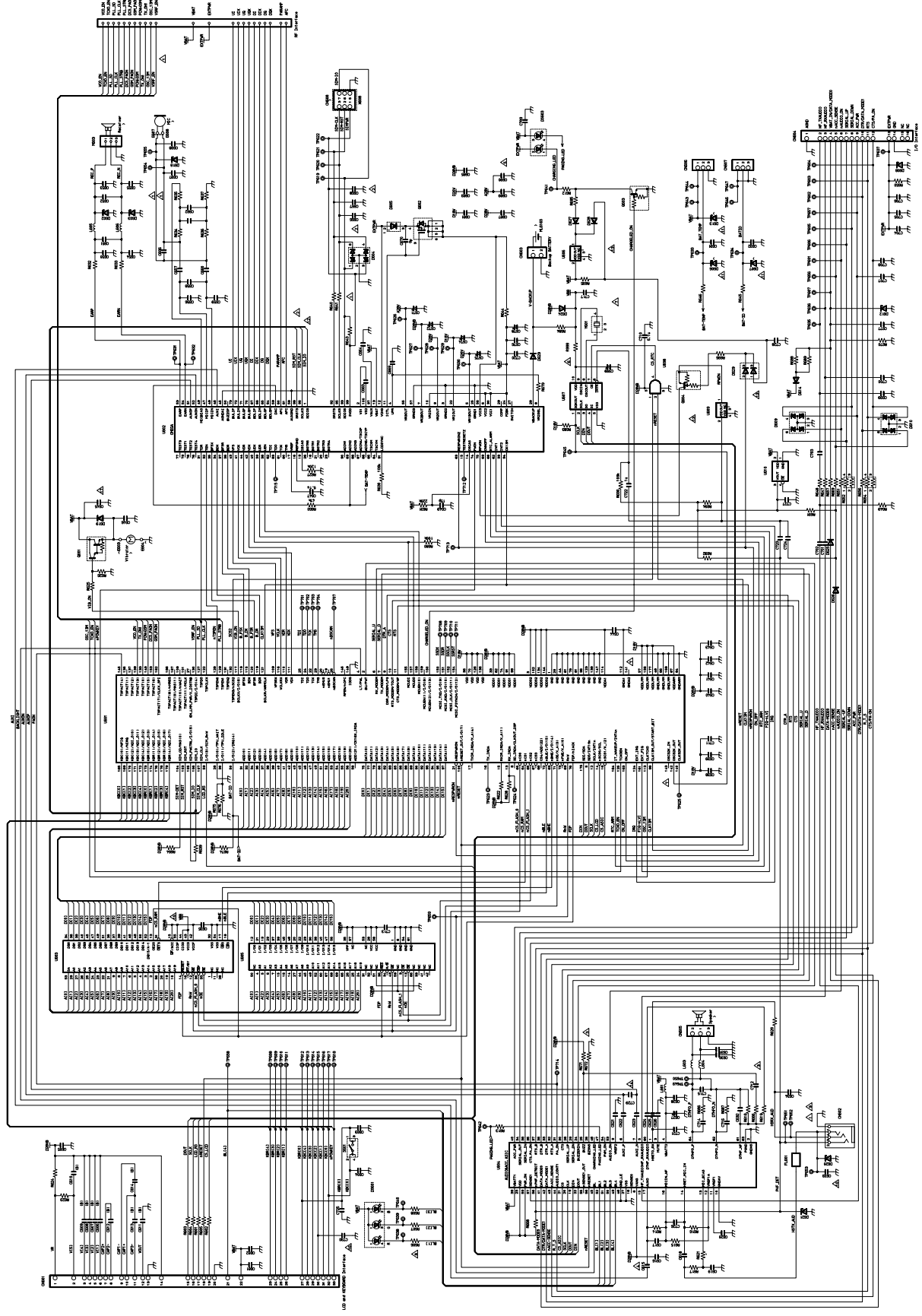


Figure 8.1: Main PCB: RF circuit diagram

8.5. GD92 Main PCB: RF

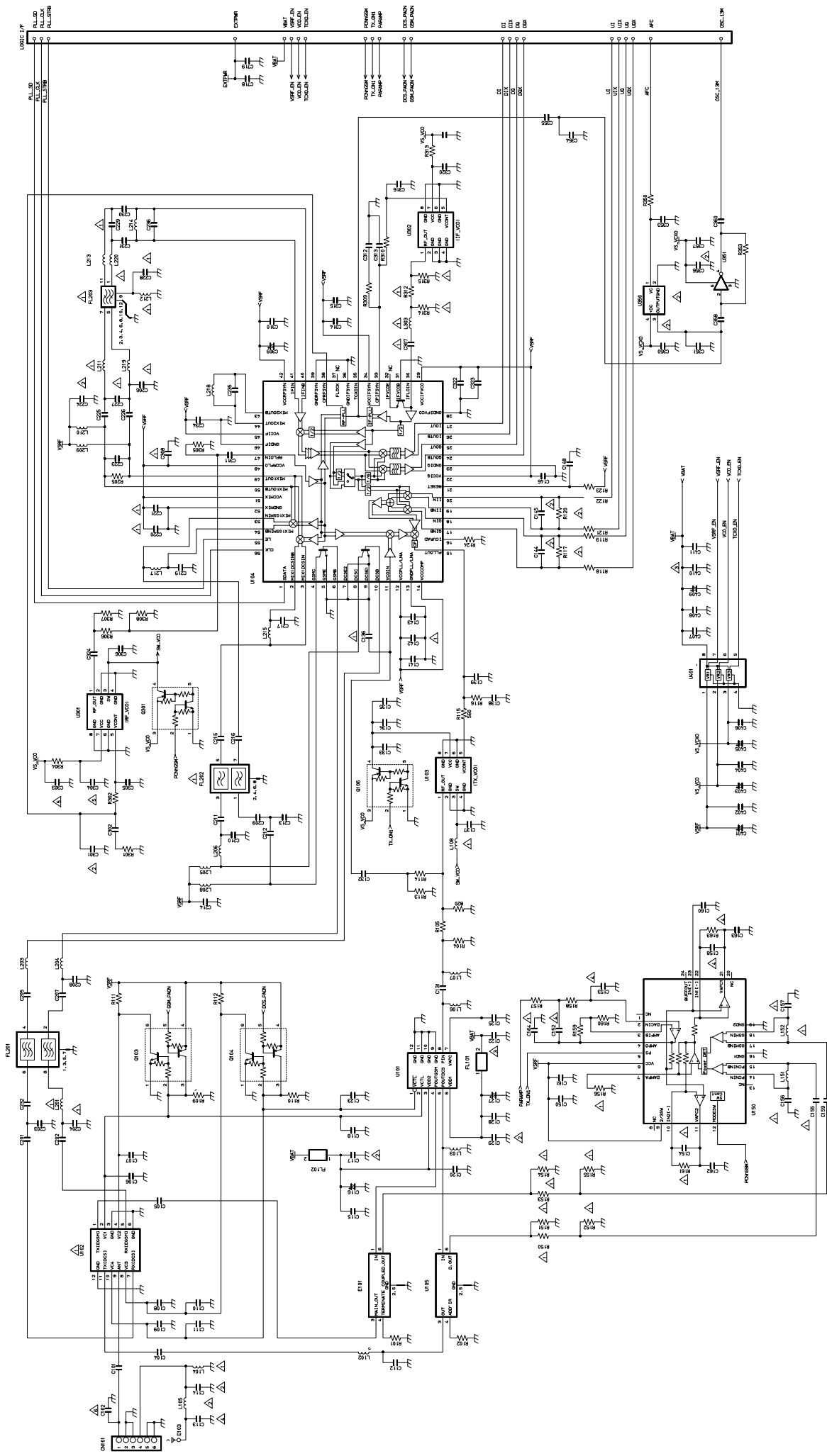
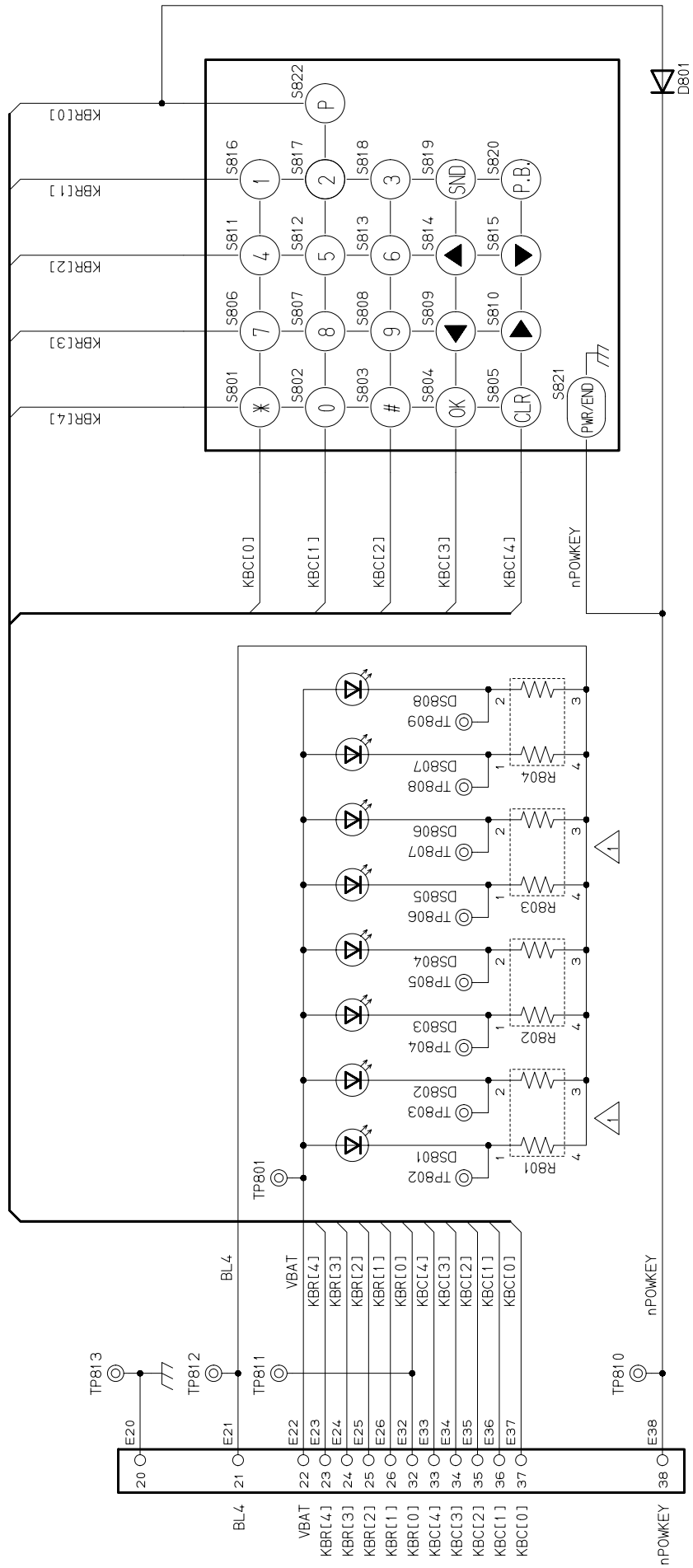


Figure 8.2: Main PCB: Logic circuit diagram

8.6. GD92 Keypad PCB



9 LAYOUT DIAGRAMS

9.1. GD52 Main PCB

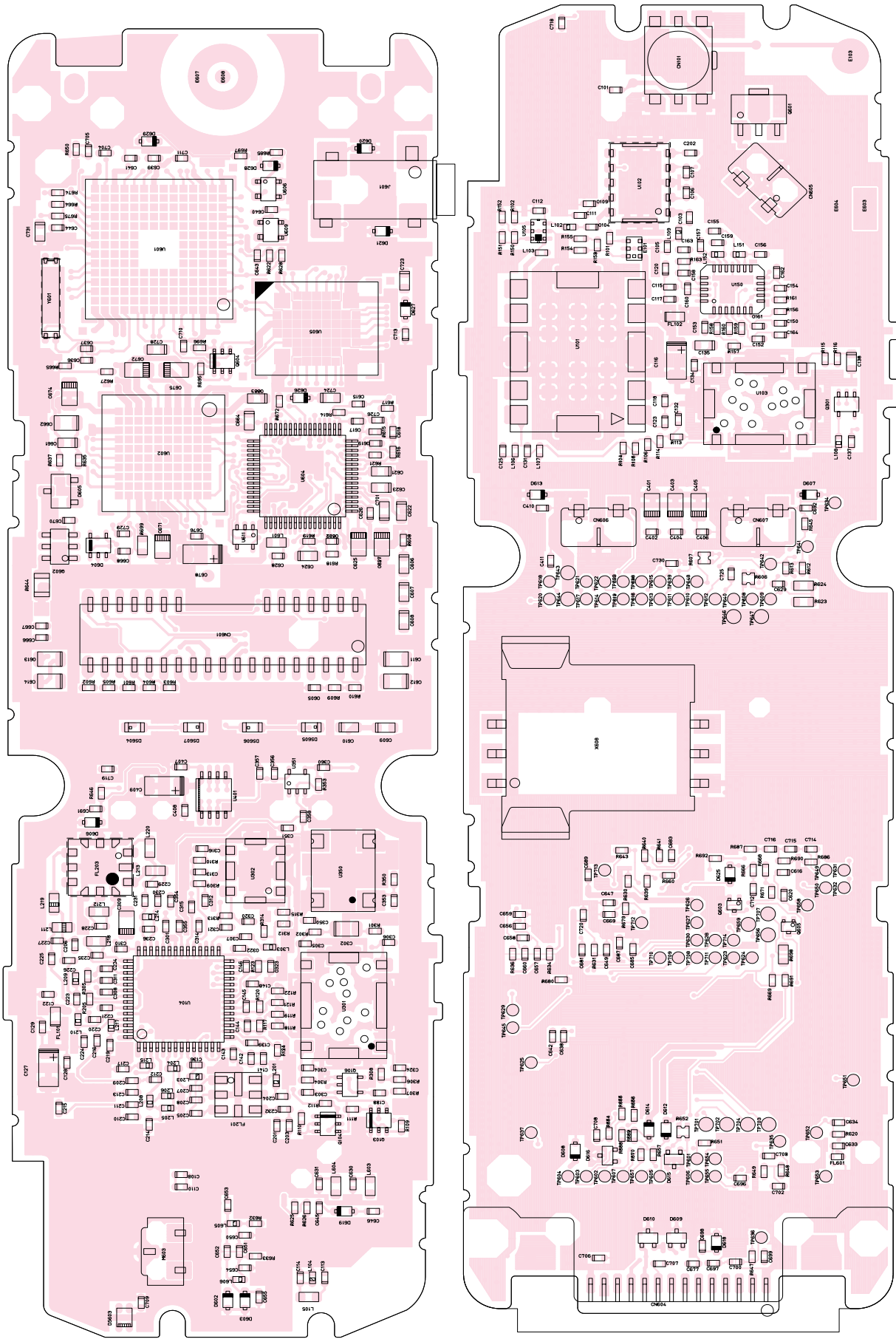


Figure 9.1: GD52 Main PCB layout diagram

9.2. GD52 Keypad PCB

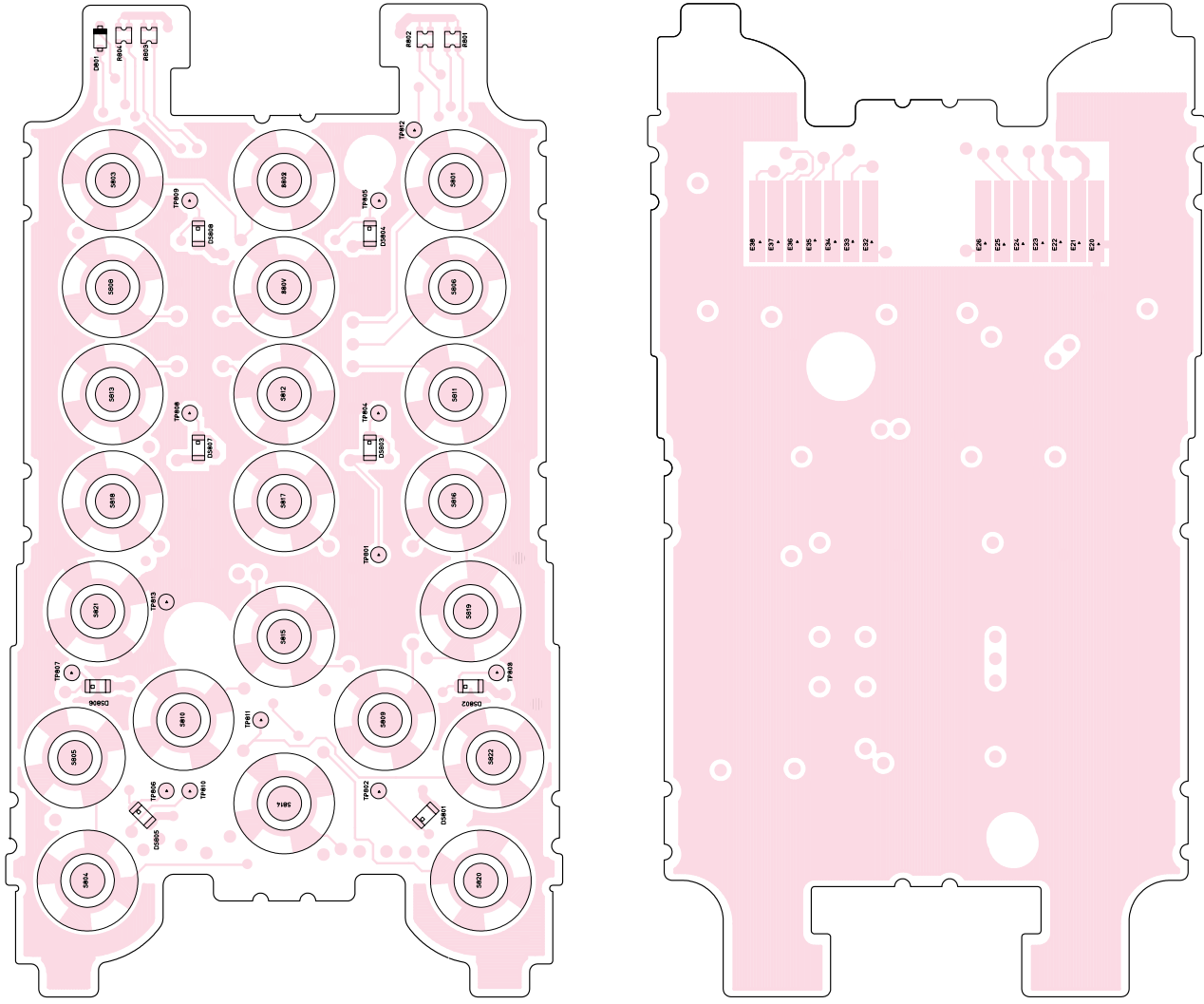


Figure 8.2: GD52 Keypad PCB layout diagram

9.3. GD92 Main PCB

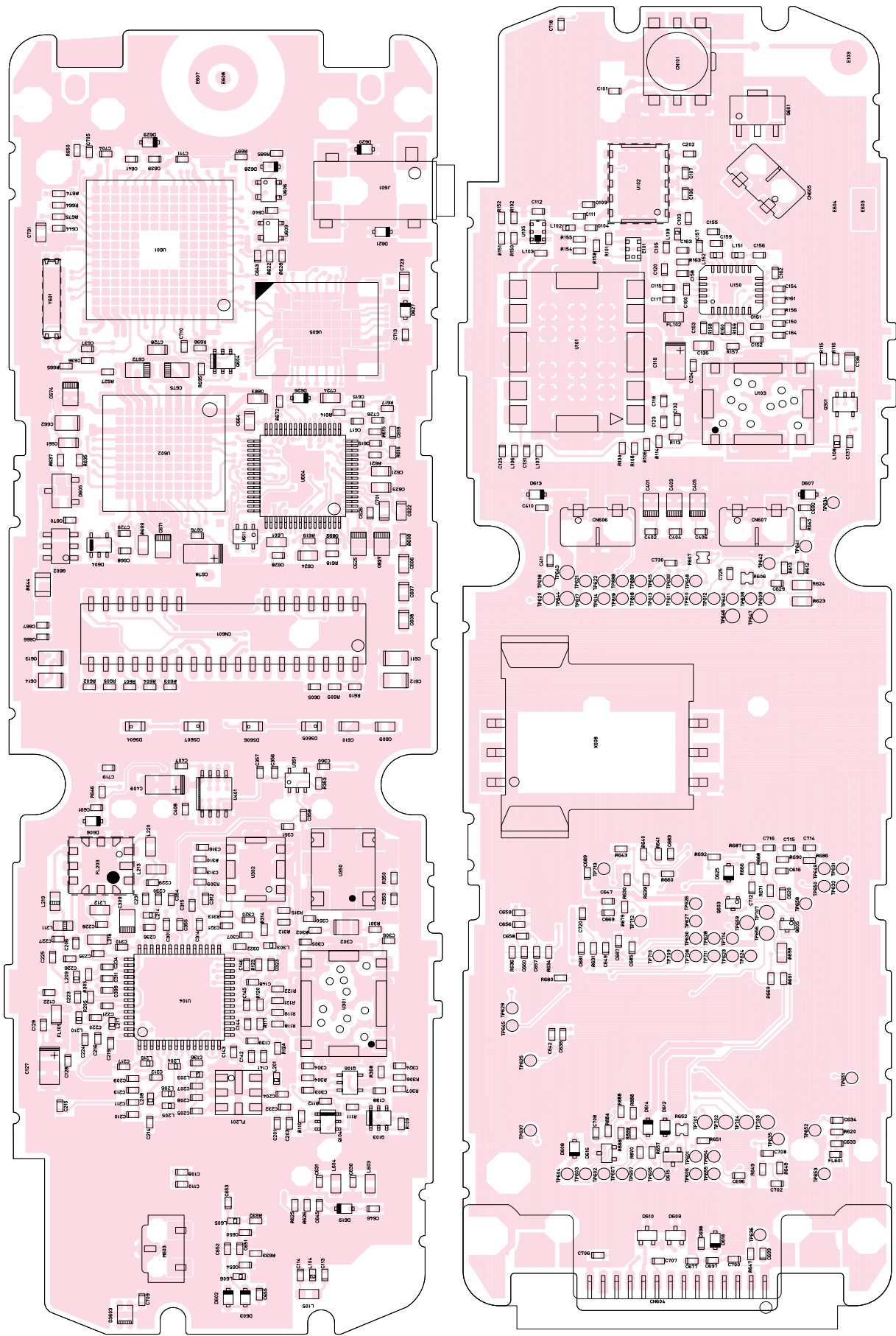


Figure 9.3: Main PCB layout diagram

9.4. GD92 Keypad PCB

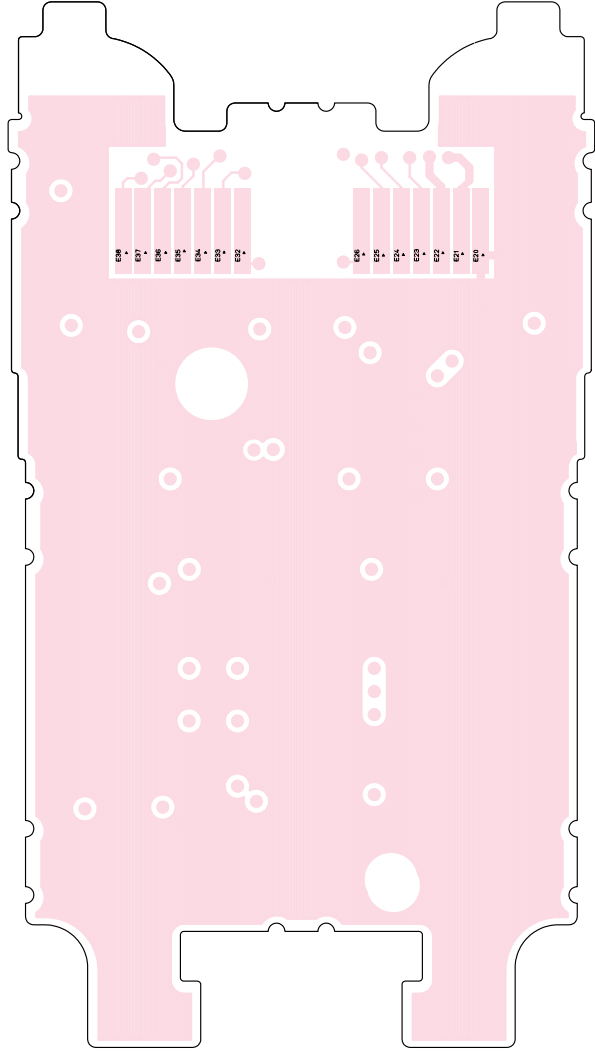
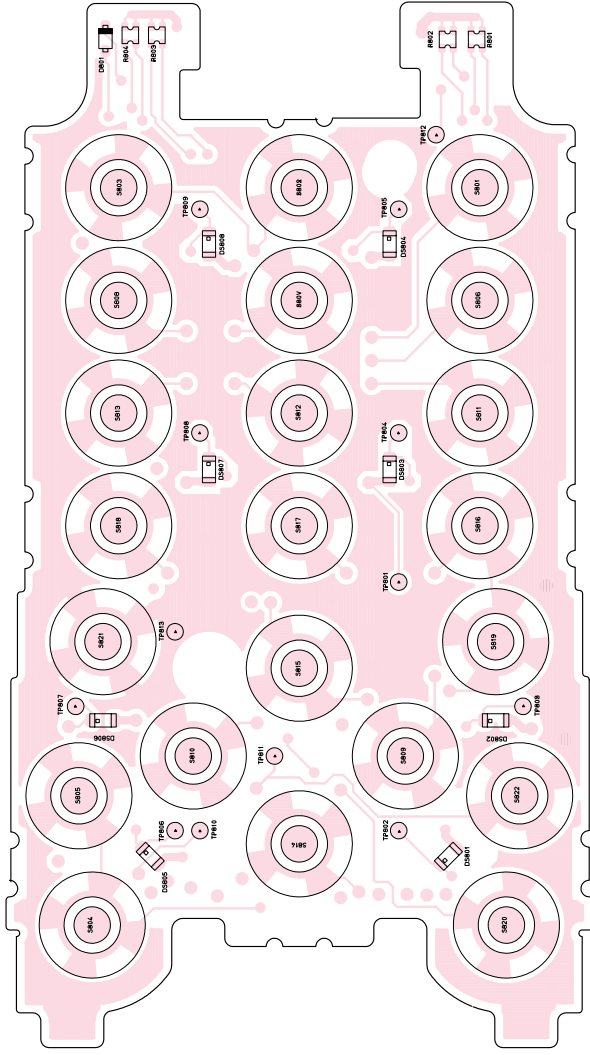


Figure 9.4: Keypad PCB layout diagram