

Proprietary data, company confidential.  
All rights reserved

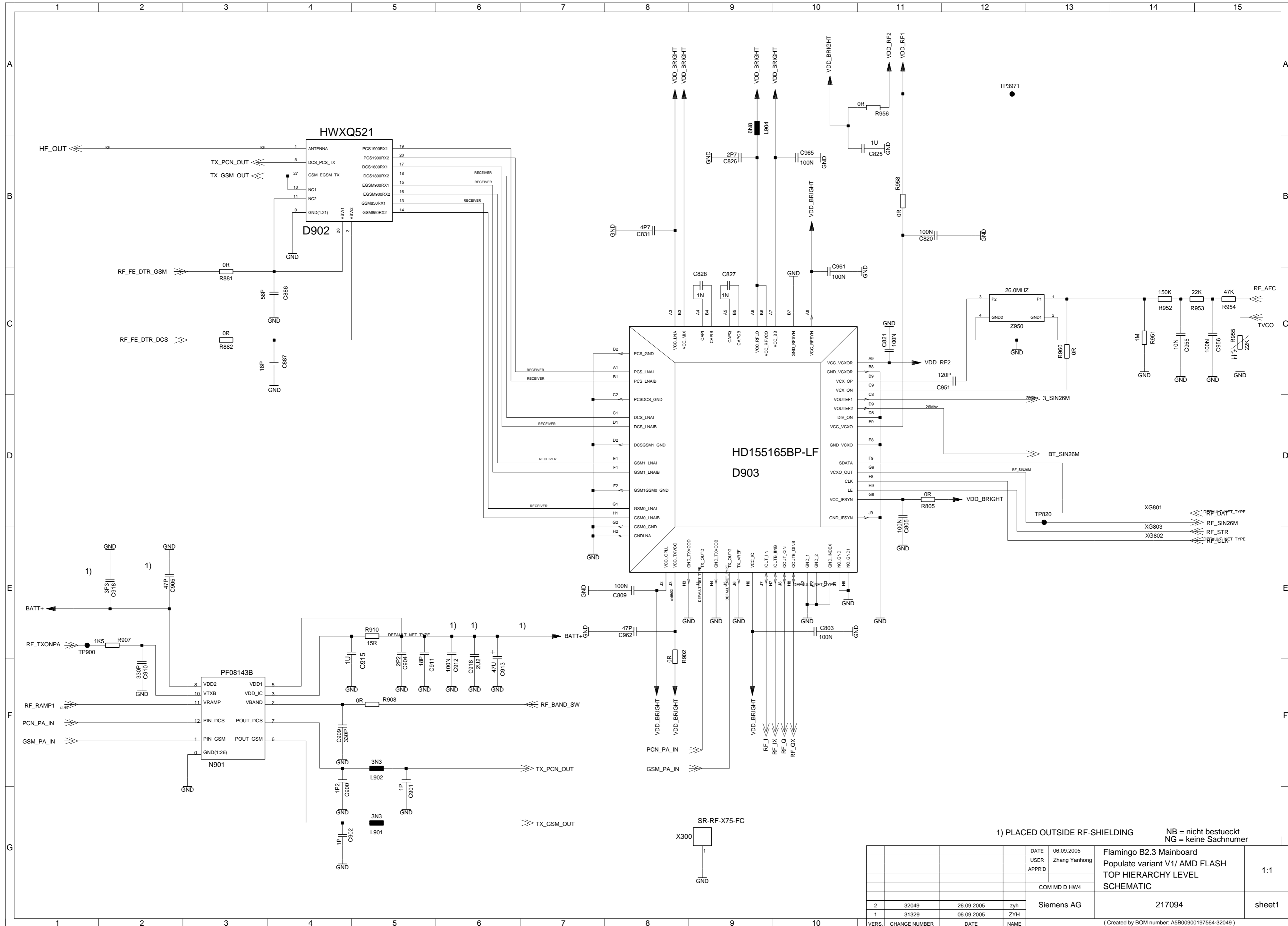
Als Betriebsgeheimnis anvertraut  
Alle Rechte vorbehalten

1	2	3	4	5
HIERARCHY		SHEET		PDF-SHEET
A5B00900197562-31328		index		sheet 1
		netlist1		sheet 2
		poslist1		sheet 3
		page1		----
		sheet1		sheet 4
		sheet2		sheet 5
		sheet3		sheet 6
		sheet4		sheet 7
		sheet5		sheet 8
		sheet6		sheet 9
		sheet7		sheet 10
		sheet8		sheet 11
		sheet9		sheet 12
		sheet10		sheet 13
		sheet11		sheet 14

				DATE	06.09.2005	Flamingo B2.3 Mainboard Populate variant V1/ AMD FLASH TOP HIERARCHY LEVEL SCHEMATIC	1:1
				USER	Zhang Yanhong		
				APPR'D			
				COM MD D HW4			
				Siemens AG		217094	index
2	32049	26.09.2005	zyh				
1	31329	06.09.2005	ZYH				
VERS.	CHANGE NUMBER	DATE	NAME	( Created by BOM number: A5B00900197564-32049 )			





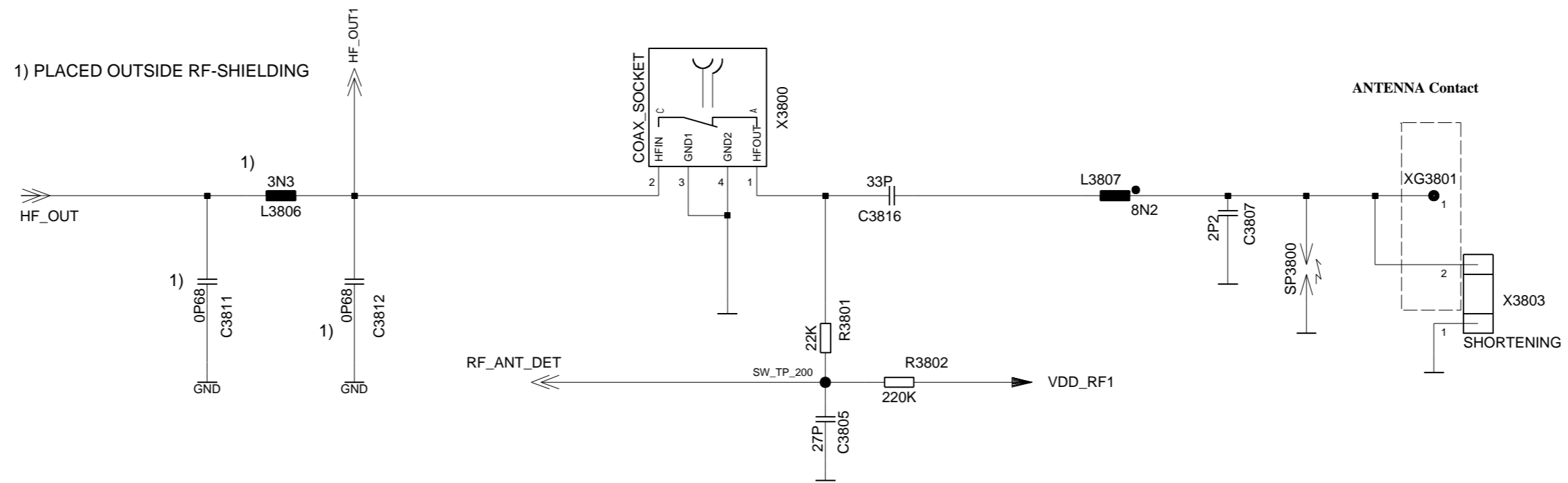


1) PLACED OUTSIDE RF-SHIELDING NB = nicht bestueckt  
NG = keine Sachnummer

DATE	06.09.2005	Flamingo B2.3 Mainboard	
USER	Zhang Yanhong	Populate variant V1/ AMD FLASH	
APPRD		TOP HIERARCHY LEVEL	
		SCHEMATIC	1:1
	COM MD D HW4		
2	32049	26.09.2005	zyh
1	31329	06.09.2005	ZYH
Siemens AG		217094	sheet1

( Created by BOM number: A5B00900197564-32049 )

ANTENNA\_CIRCUIT  
3800-3849

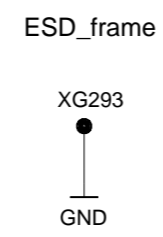
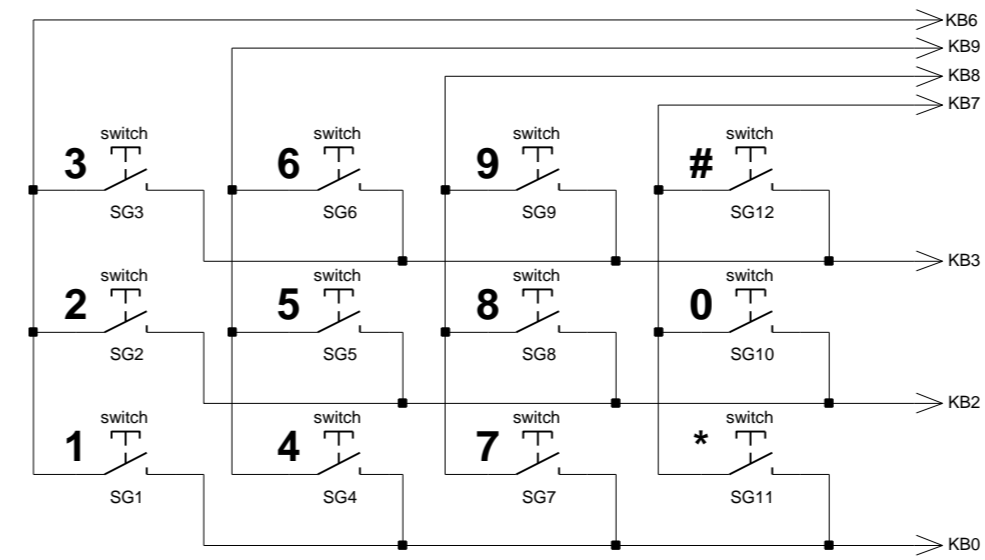


DATE	06.09.2005	Flamingo B2.3 Mainboard Populate variant V1/ AMD FLASH TOP HIERARCHY LEVEL SCHEMATIC	1:1		
USER	Zhang Yanhong				
APPR'D					
COM MD D HW4		Siemens AG	217094		
VERS.	CHANGE NUMBER			DATE	NAME
2	32049			26.09.2005	zyh
1	31329	06.09.2005	ZYH		
( Created by BOM number: A5B00900197564-32049 )					

Proprietary data, Company confidential.  
all rights reserved

Als Betriebsgeheimnis anvertraut  
alle Rechte vorbehalten

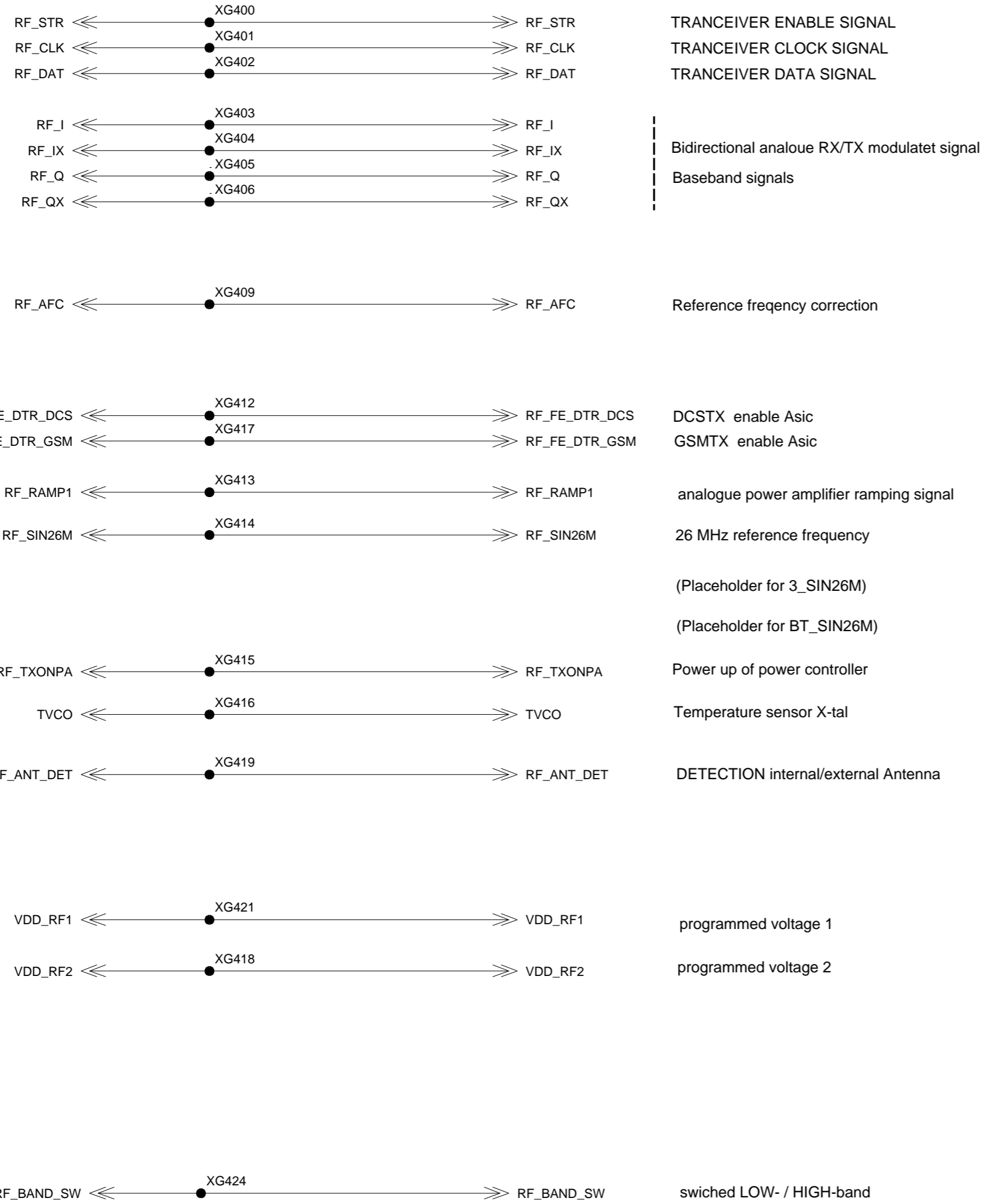
### MMI MAINBOARD



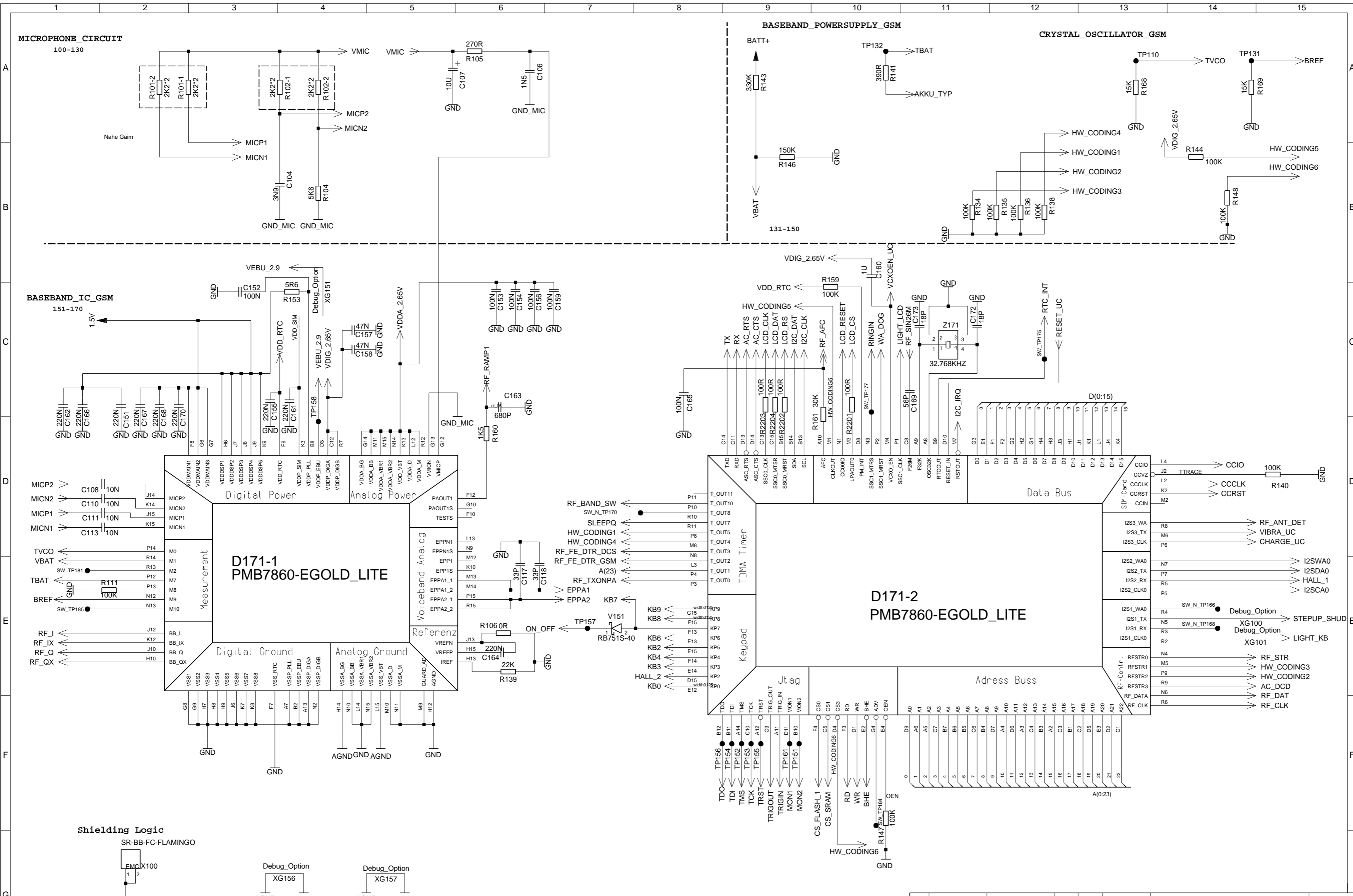
				DATE	06.09.2005	Flamingo B2.3 Mainboard Populate variant V1/ AMD FLASH TOP HIERARCHY LEVEL SCHEMATIC	1:1
				USER	Zhang Yanhong		
				APPR'D			
					COM MD D HW4		
					Siemens AG	217094	sheet3
2	32049	26.09.2005	zyh				
1	31329	06.09.2005	ZYH				
VERS.	CHANGE NUMBER	DATE	NAME				( Created by BOM number: A5B00900197564-32049 )

### HIT\_POINTS LOGIK/HF\_PART\_1\_SD2

400-449



DATE	06.09.2005	Flamingo B2.3 Mainboard Populate variant V1/ AMD FLASH TOP HIERARCHY LEVEL SCHEMATIC	1:1		
USER	Zhang Yanhong				
APPR'D					
COM MD D HW4		Siemens AG	217094		
VERS.	CHANGE NUMBER			DATE	NAME
2	32049			26.09.2005	zyh
1	31329	06.09.2005	ZYH		
( Created by BOM number: A5B00900197564-32049 )					



DATE	06.09.2005	Flamingo B2.3 Mainboard	
USER	Zhang Yanhong	Populate variant V1/ AMD FLASH	
APPRD		TOP HIERARCHY LEVEL	
COM MD D HW4		SCHEMATIC	
Siemens AG	217094		1:1
VERS.	CHANGE NUMBER	DATE	NAME
2	32049	26.09.2005	zyh
1	31329	06.09.2005	ZYH

( Created by BOM number: A5800900197564-32049 )

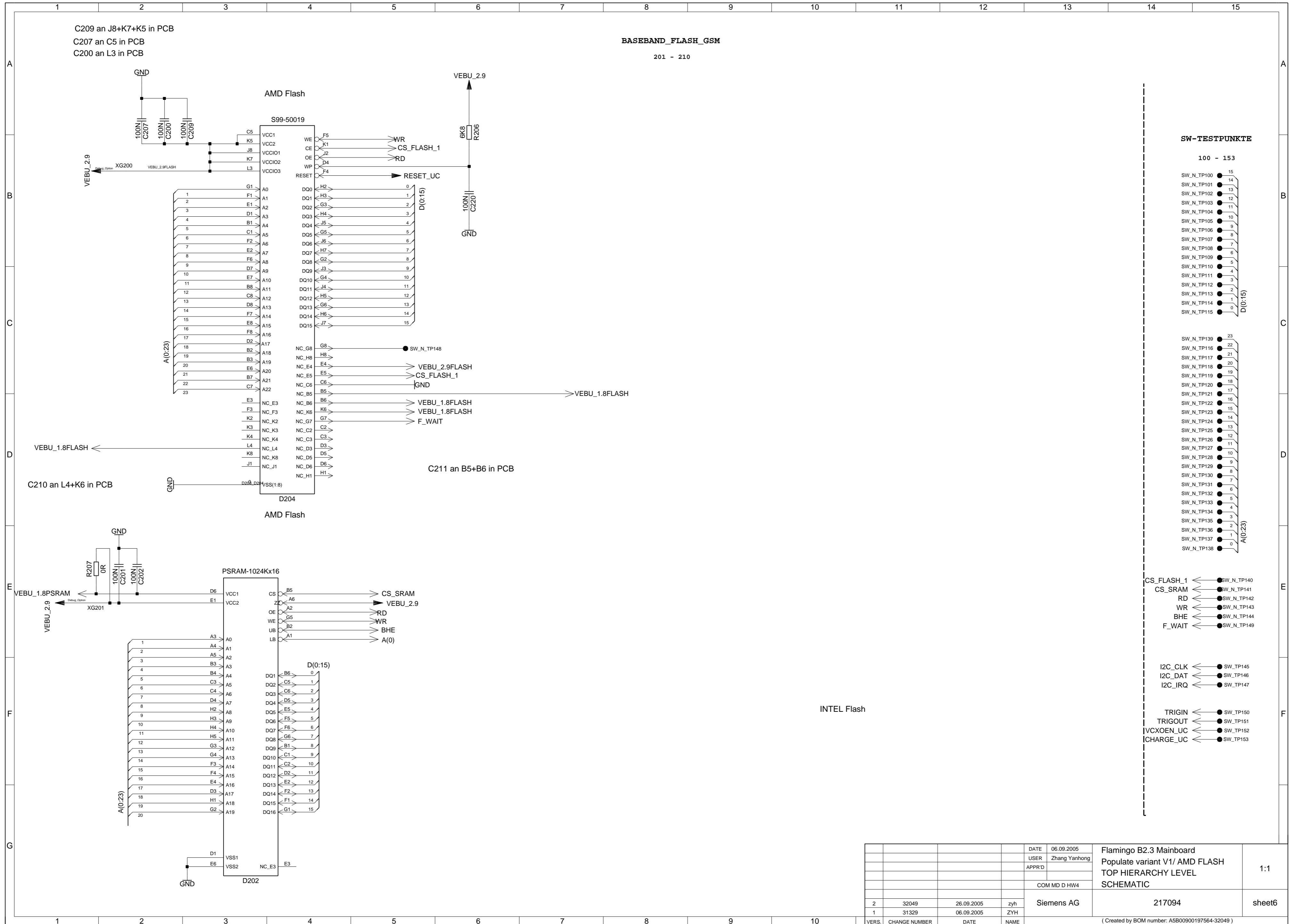


Proprietary data, Company confidential.  
all rights reserved

Als Betriebsgeheimnis anvertraut  
alle Rechte vorbehalten

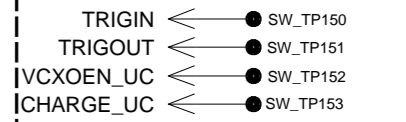
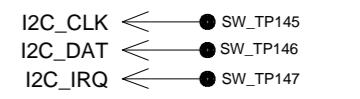
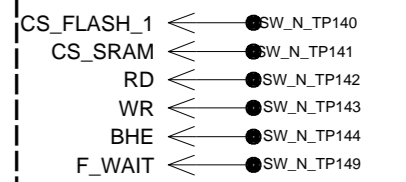
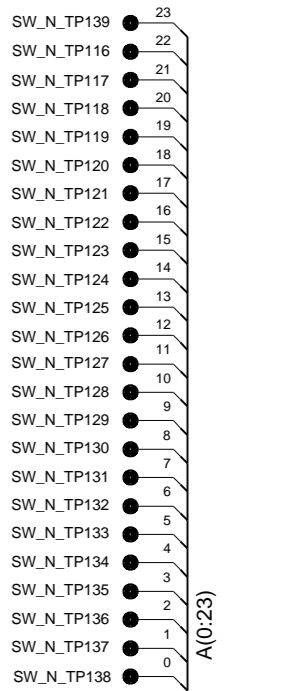
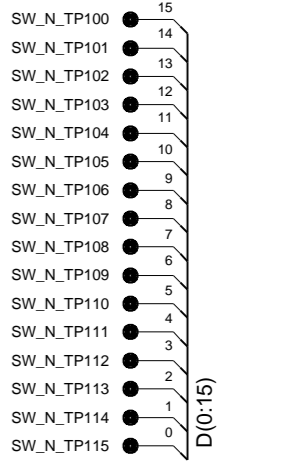
BASEBAND\_FLASH\_GSM

201 - 210



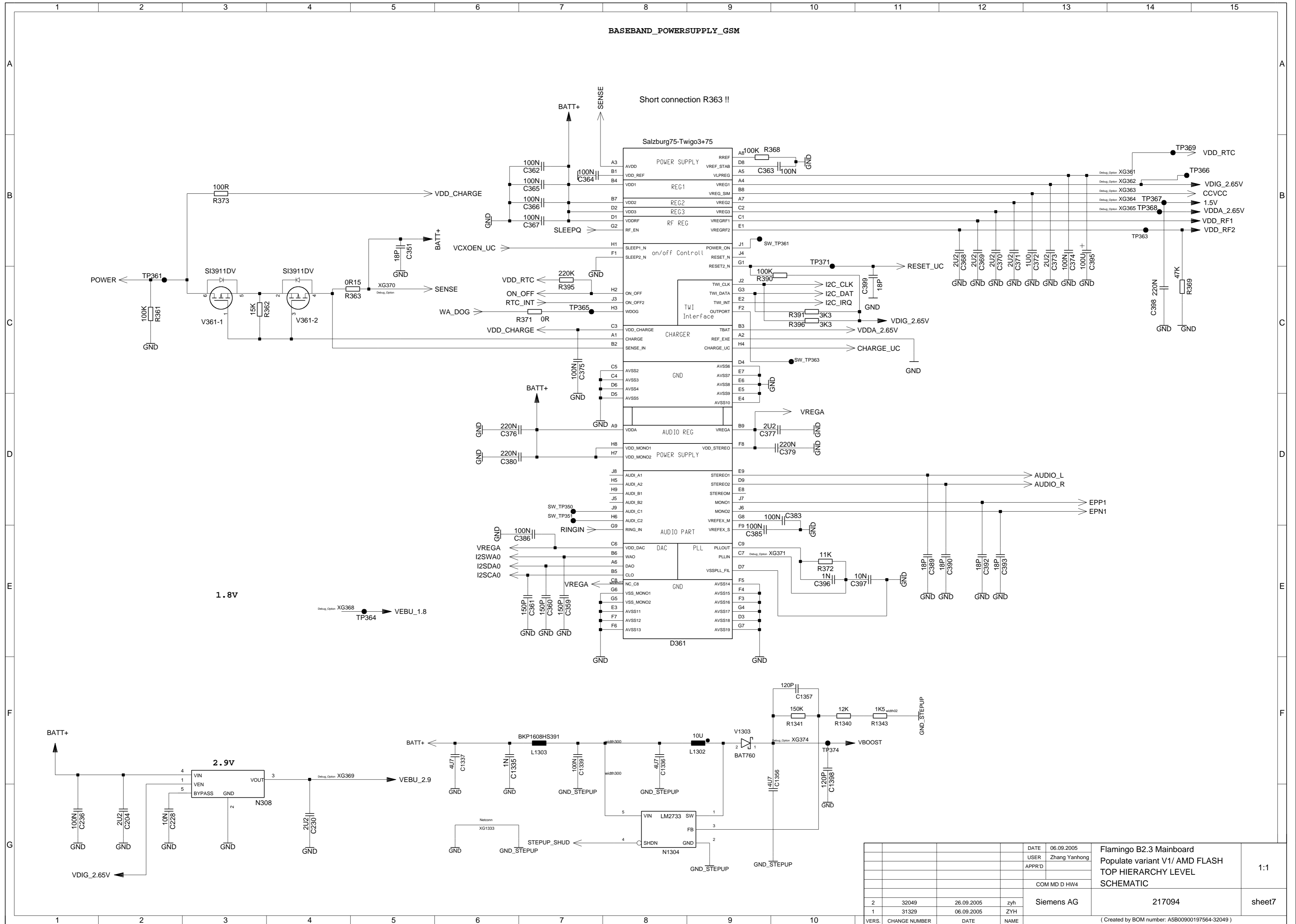
SW-TESTPUNKTE

100 - 153



DATE	06.09.2005	Flamingo B2.3 Mainboard	
USER	Zhang Yanhong	Populate variant V1/ AMD FLASH	
APPR'D		TOP HIERARCHY LEVEL	1:1
		COM MD D HW4	
		SCHMATIC	
2	32049	26.09.2005	zyh
1	31329	06.09.2005	ZYH
VERS.	CHANGE NUMBER	DATE	NAME
		Siemens AG	217094
		sheet6	
( Created by BOM number: A5B00900197564-32049 )			

BASEBAND\_POWERSUPPLY\_GSM

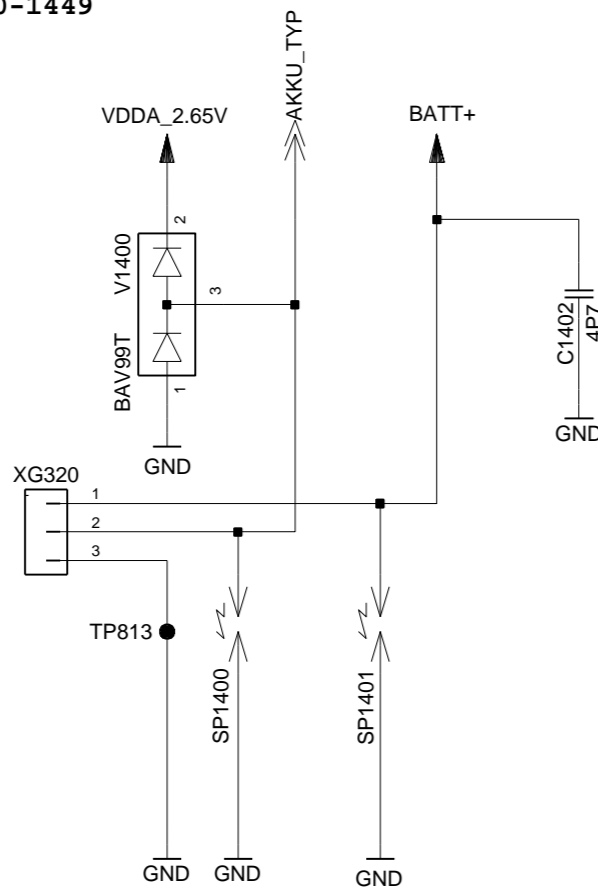


VERS.	CHANGE NUMBER	DATE	NAME	DATE	USER	APPRD	COM MD D HW4
		06.09.2005	Zhang Yanhong				
2	32049	26.09.2005	zyh				
1	31329	06.09.2005	ZYH				

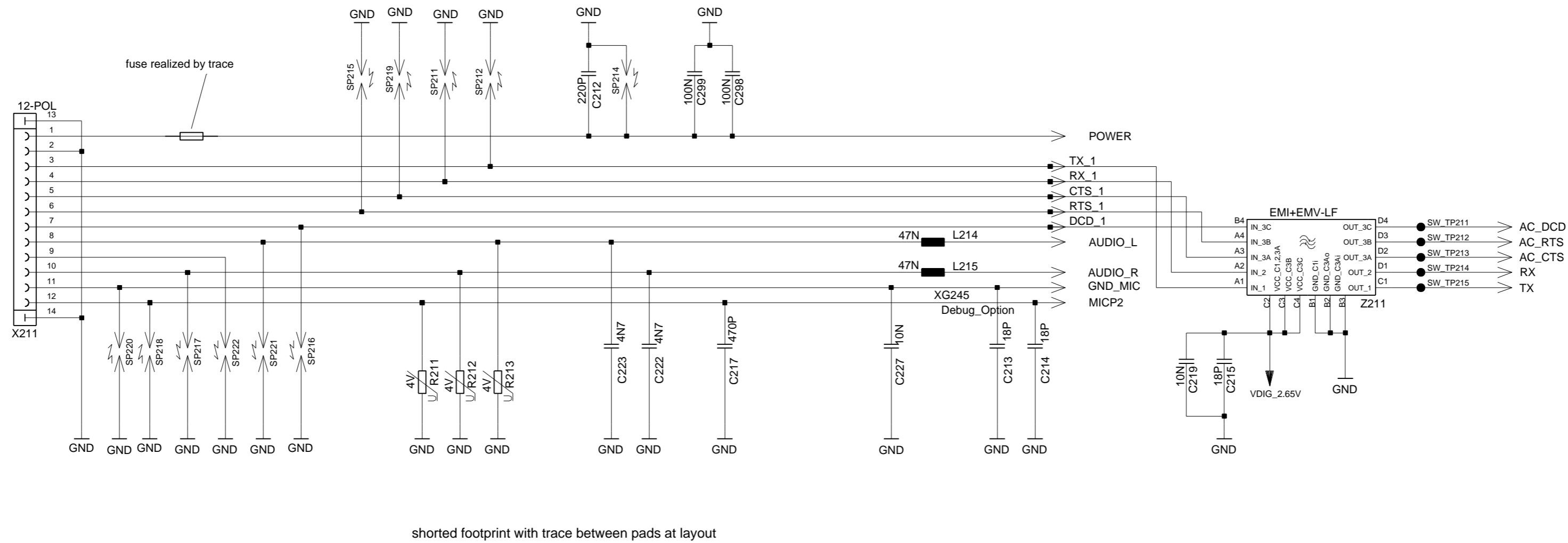
  

Flamingo B2.3 Mainboard Populate variant V1/ AMD FLASH TOP HIERARCHY LEVEL SCHEMATIC	1:1
Siemens AG	217094
( Created by BOM number: A5B00900197564-32049 )	

**BATTERY CONNECTOR**  
1400-1449

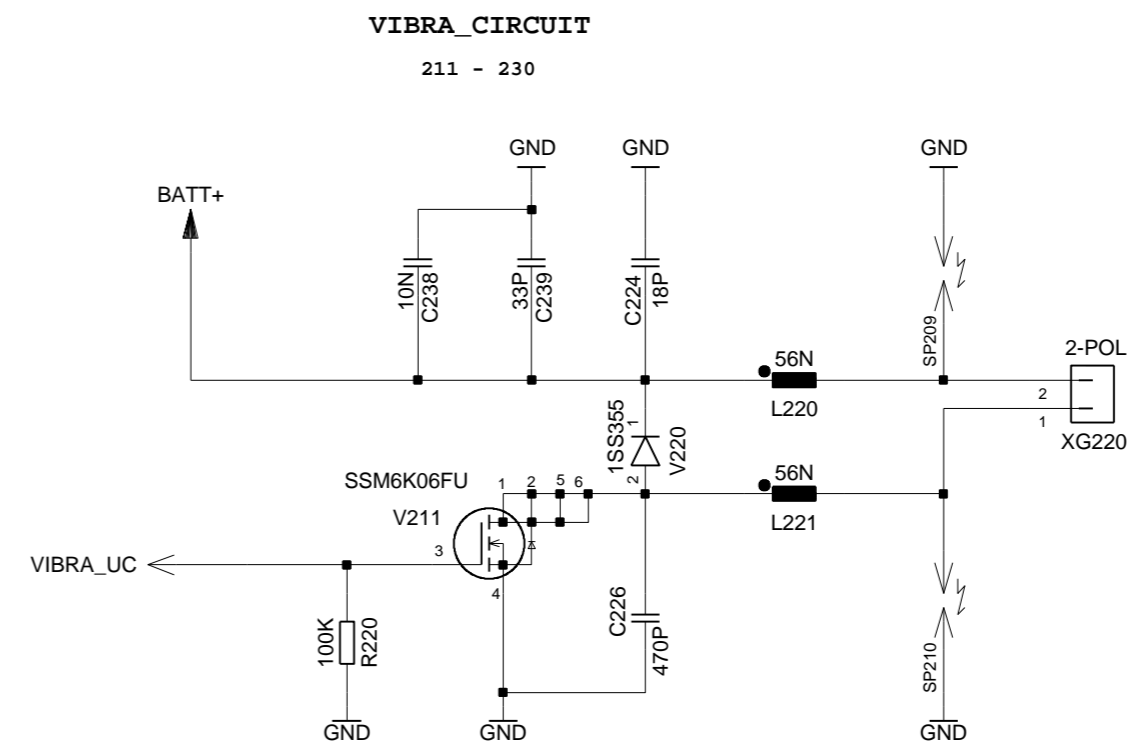
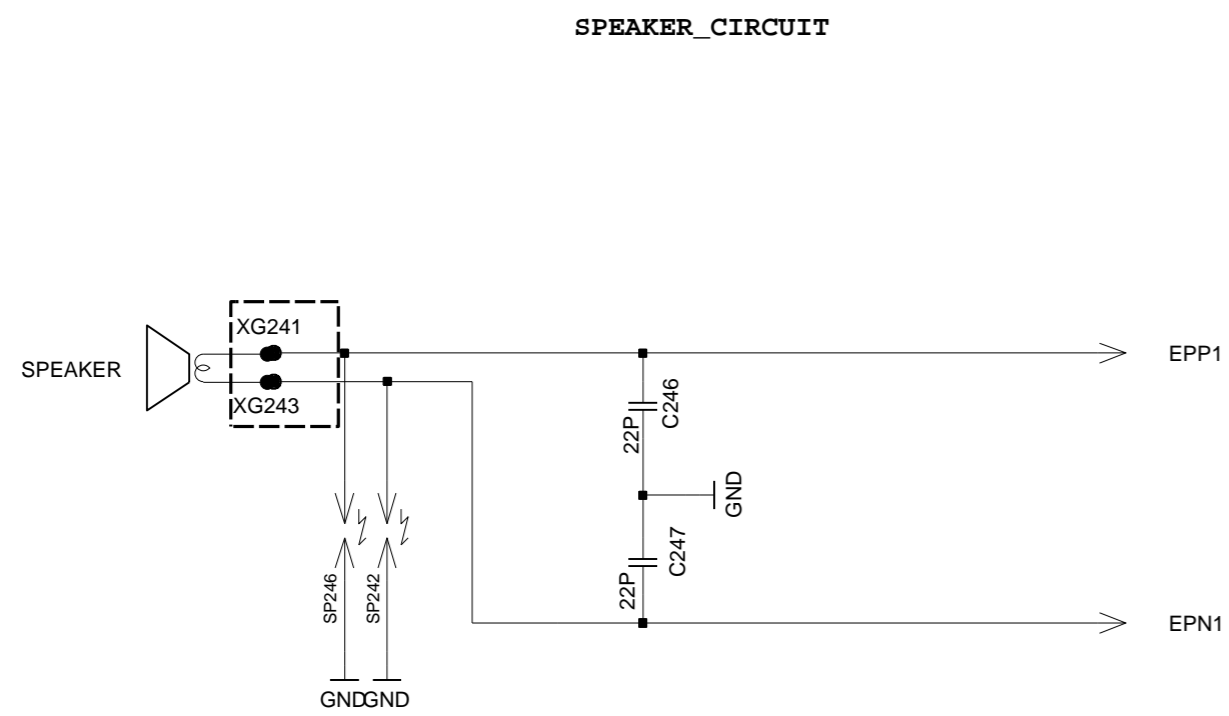
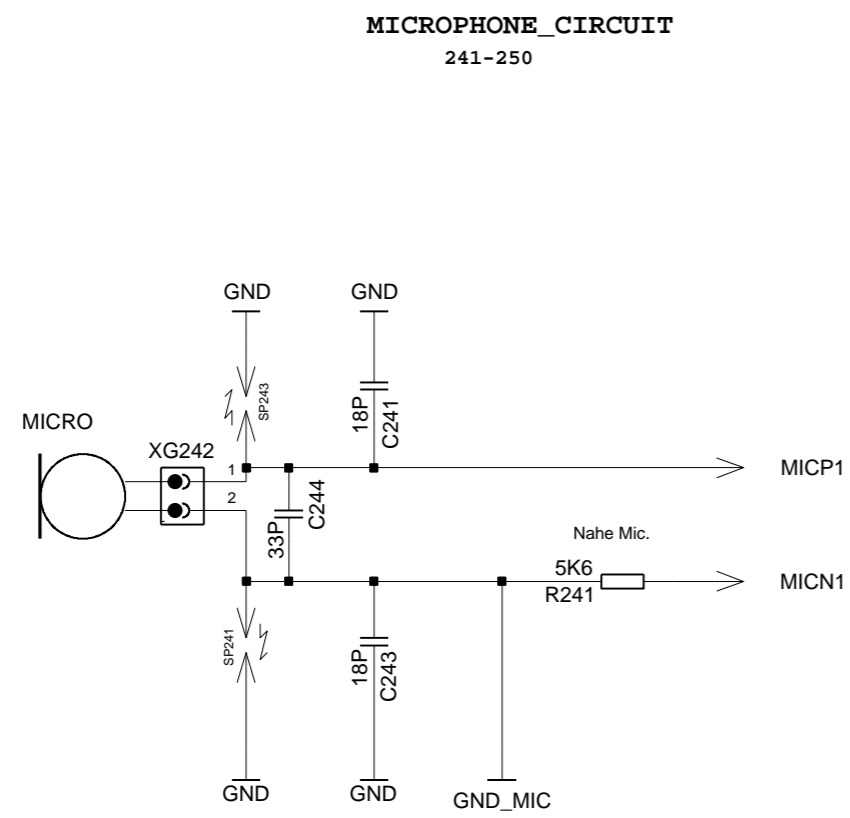


**IO\_INTERFACE**  
211 - 230



shorted footprint with trace between pads at layout

DATE	06.09.2005	Flamingo B2.3 Mainboard	
USER	Zhang Yanhong	Populate variant V1/ AMD FLASH	
APPR'D		TOP HIERARCHY LEVEL	1:1
		SCHEMATIC	
	COM MD D HW4		
2	32049	26.09.2005	zyh
1	31329	06.09.2005	ZYH
Siemens AG		217094	sheet8



DATE	06.09.2005	Flamingo B2.3 Mainboard Populate variant V1/ AMD FLASH TOP HIERARCHY LEVEL SCHEMATIC	1:1
USER	Zhang Yanhong		
APPR'D			
		COM MD D HW4	
		Siemens AG	217094
VERS.	CHANGE NUMBER	DATE	NAME
2	32049	26.09.2005	zyh
1	31329	06.09.2005	ZYH

( Created by BOM number: A5B00900197564-32049 )

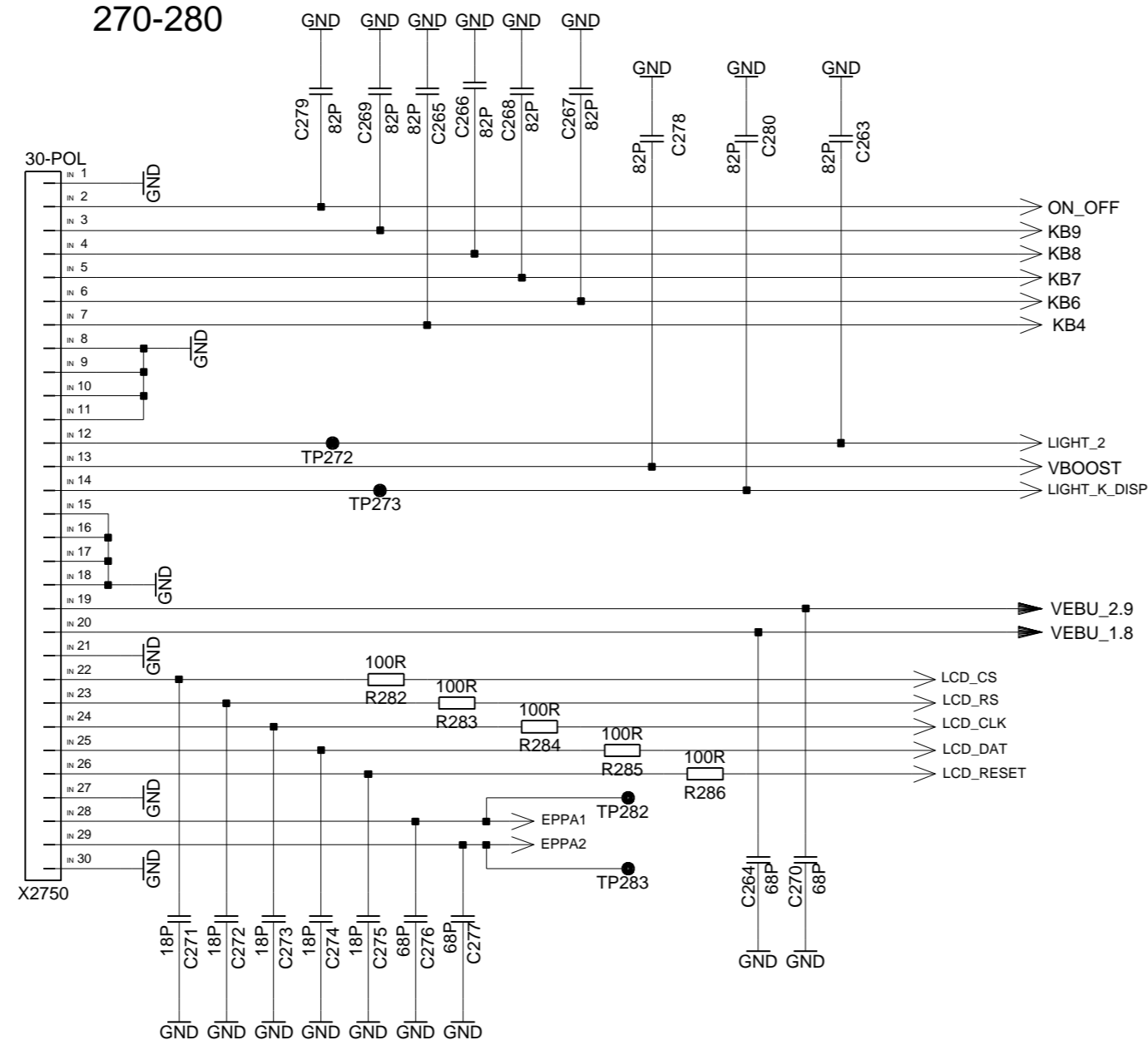


Proprietary data, Company confidential.  
all rights reserved

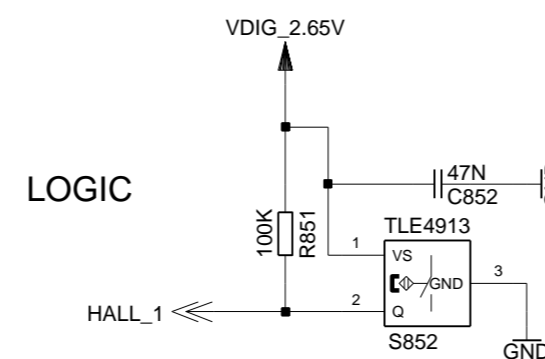
Als Betriebsgeheimnis anvertraut  
alle Rechte vorbehalten

### MMI CONNECTOR

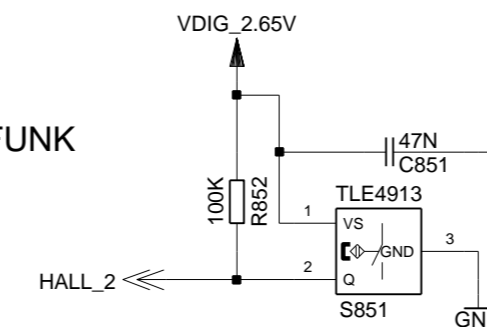
270-280



### MAGNETIC SWITCH



### FUNK



DATE	06.09.2005	Flamingo B2.3 Mainboard	
USER	Zhang Yanhong	Populate variant V1/ AMD FLASH	
APPR'D		TOP HIERARCHY LEVEL	1:1
		COM MD D HW4	
		Siemens AG	217094
			sheet11
VERS.	CHANGE NUMBER	DATE	NAME
2	32049	26.09.2005	zyh
1	31329	06.09.2005	ZYH

( Created by BOM number: A5B00900197564-32049 )

1 2 3 4 5 6 7 8 9 10

A

B

C

D

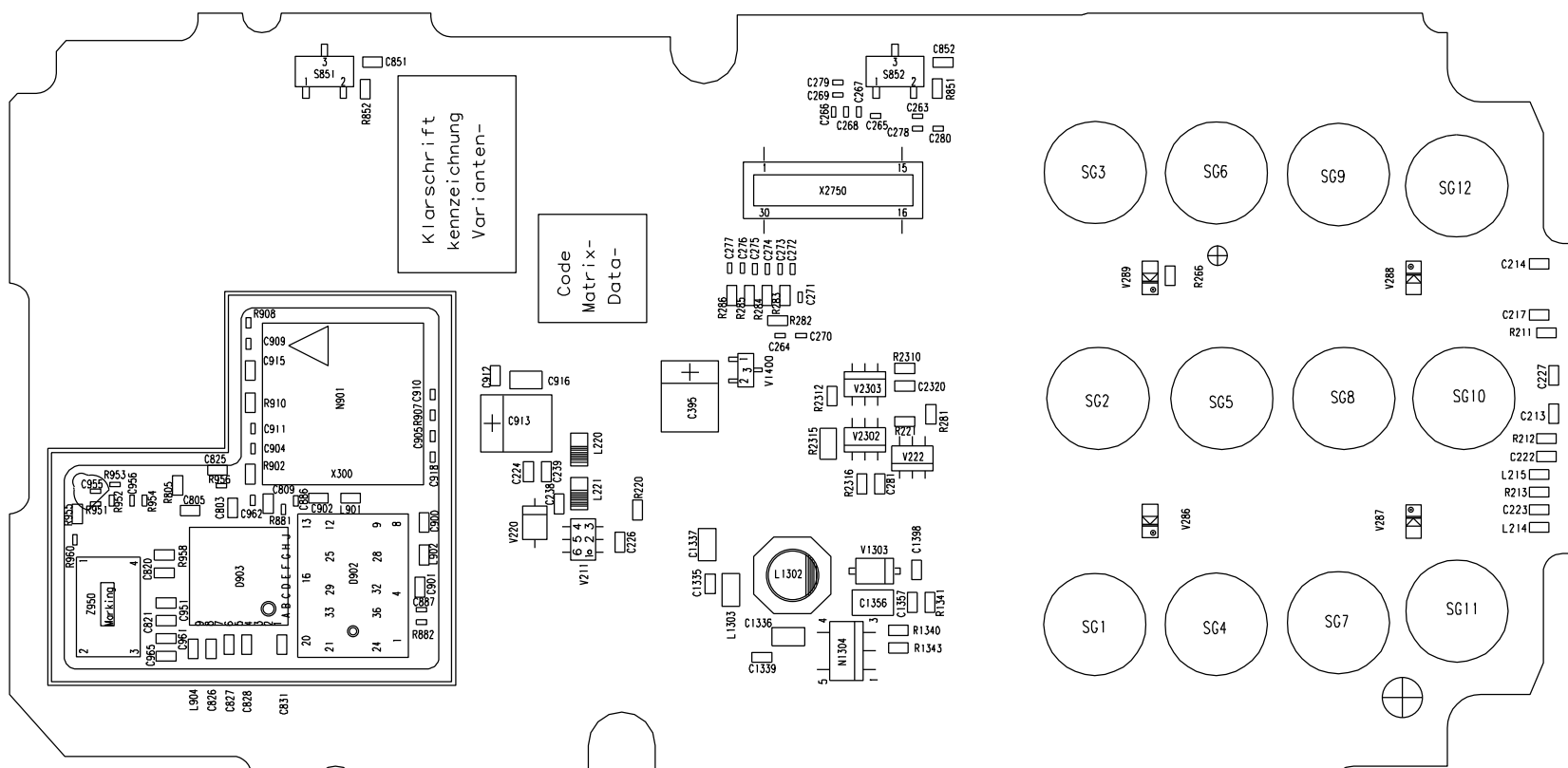
E

A

B

C

D



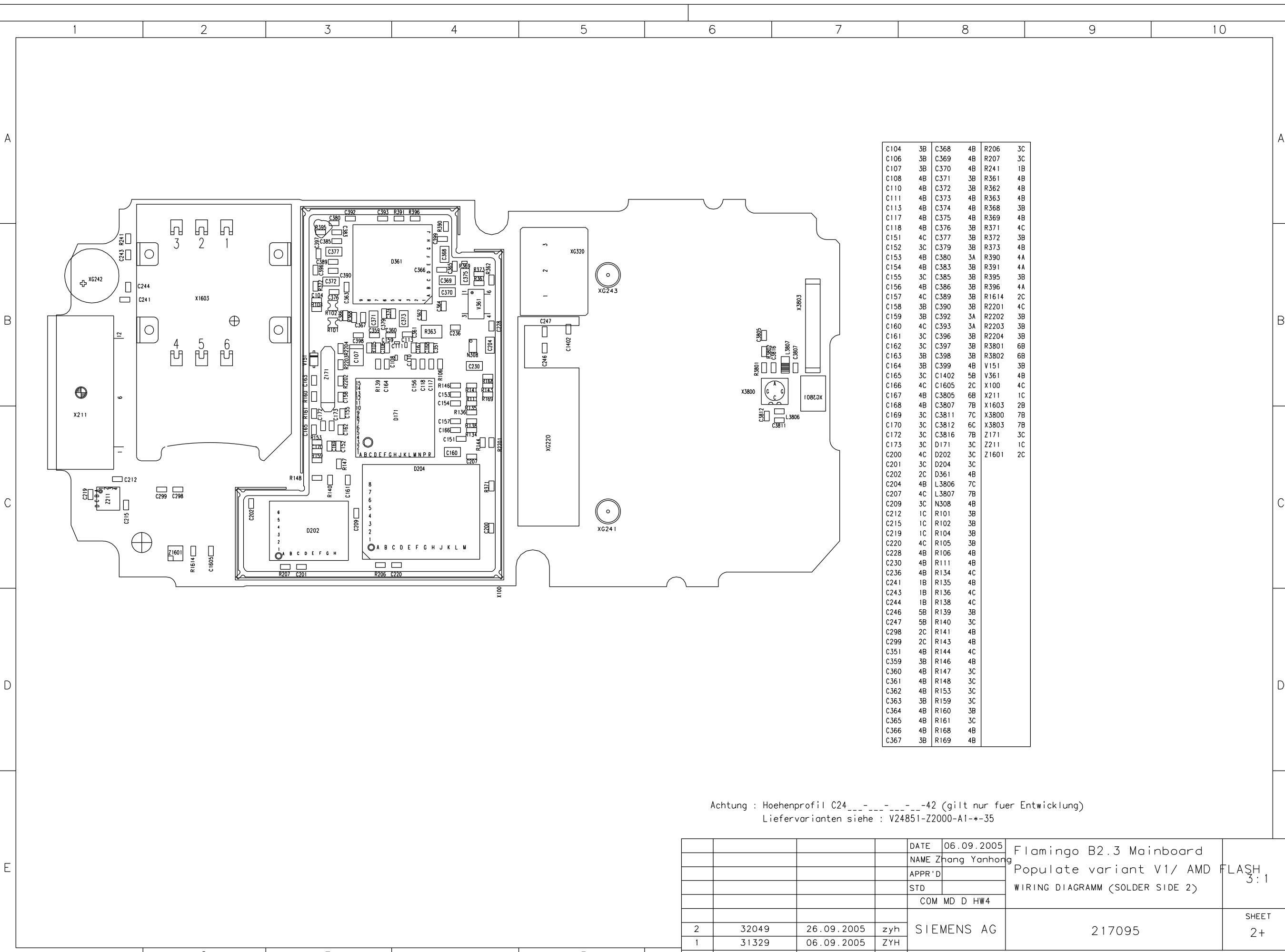
C213	7B	C956	1C	R2315	4C
C214	7B	C961	1C	R2316	4C
C217	7B	C962	2C	S851	2B
C222	7C	C965	1C	S852	4B
C223	7C	C1335	4C	V211	3C
C224	3C	C1336	4C	V220	3C
C226	3C	C1337	4C	V222	4C
C227	7B	C1339	4C	V286	5C
C238	3C	C1356	4C	V287	6C
C239	3C	C1357	4C	V288	6B
C263	5B	C1398	5C	V289	5B
C264	4B	C2320	4B	V1303	4C
C265	4B	D902	2C	V1400	4B
C266	4B	D903	2C	V2302	4C
C267	4B	L214	7C	V2303	4B
C268	4B	L215	7C	X300	1C
C269	4B	L220	3C	X2750	4B
C270	4B	L221	3C	Z950	1C
C271	4B	L901	2C		
C272	4B	L902	3C		
C273	4B	L904	2C		
C274	4B	L1302	4C		
C275	4B	L1303	4C		
C276	4B	N901	2B		
C277	4B	N1304	4C		
C278	5B	R211	7B		
C279	4B	R212	7C		
C280	5B	R213	7C		
C281	4C	R220	3C		
C395	4B	R221	4B		
C803	2C	R266	6B		
C805	2C	R281	5B		
C809	2C	R282	4B		
C820	2C	R283	4B		
C821	1C	R284	4B		
C825	2C	R285	4B		
C826	2C	R286	4B		
C827	2C	R805	2C		
C828	2C	R851	5B		
C831	2C	R852	2B		
C851	2B	R881	2C		
C852	5B	R882	3C		
C886	2C	R902	2C		
C887	3C	R907	3B		
C900	3C	R908	2B		
C901	3C	R910	2B		
C902	2C	R951	1C		
C904	2C	R952	1C		
C905	3C	R953	1C		
C909	2B	R954	1C		
C910	3B	R955	1C		
C911	2C	R956	2C		
C912	3B	R958	2C		
C913	3B	R960	1C		
C915	2B	R1340	4C		
C916	3B	R1341	5C		
C918	3C	R1343	4C		
C951	2C	R2310	4B		
C955	1C	R2312	4B		

Achtung : Hoehenprofil C24\_...\_...\_42 (gilt nur fuer Entwicklung)  
Liefervarianten siehe : V24851-Z2000-A1-\*--35

				DATE	06.09.2005	Flamingo B2.3 Mainboard Populate variant V1/ AMD FLASH WIRING DIAGRAMM (SOLDER SIDE 1)	3:1
				NAME	Zhang Yanhong		
				APPR'D			
				STD			
				COM MD D HW4			
2	32049	26.09.2005	zyh	SIEMENS AG			SHEET
1	31329	06.09.2005	ZYH	217095			1+
VERS.	CHANGE NUMBER	DATE	NAME	( Created by BOM number: A5B00900197564-32049 )			

PROPRIETARY DATA, COMPANY CONFIDENTIAL  
ALL RIGHTS RESERVED

ALS BETRIEBSGEHEIMNIS ANVERTRAUT  
ALLE RECHTE VORBEHALTEN



C104	3B	C368	4B	R206	3C
C106	3B	C369	4B	R207	3C
C107	3B	C370	4B	R241	1B
C108	4B	C371	3B	R361	4B
C110	4B	C372	3B	R362	4B
C111	4B	C373	4B	R363	4B
C113	4B	C374	4B	R368	3B
C117	4B	C375	4B	R369	4B
C118	4B	C376	3B	R371	4C
C151	4C	C377	3B	R372	3B
C152	3C	C379	3B	R373	4B
C153	4B	C380	3A	R390	4A
C154	4B	C383	3B	R391	4A
C155	3C	C385	3B	R395	3B
C156	4B	C386	3B	R396	4A
C157	4C	C389	3B	R1614	2C
C158	3B	C390	3B	R2201	4C
C159	3B	C392	3A	R2202	3B
C160	4C	C393	3A	R2203	3B
C161	3C	C396	3B	R2204	3B
C162	3C	C397	3B	R3801	6B
C163	3B	C398	3B	R3802	6B
C164	3B	C399	4B	V151	3B
C165	3C	C1402	5B	V361	4B
C166	4C	C1605	2C	X100	4C
C167	4B	C3805	6B	X211	1C
C168	4B	C3807	7B	X1603	2B
C169	3C	C3811	7C	X3800	7B
C170	3C	C3812	6C	X3803	7B
C172	3C	C3816	7B	Z171	3C
C173	3C	D171	3C	Z111	1C
C200	4C	D202	3C	Z1601	2C
C201	3C	D204	3C		
C202	2C	D361	4B		
C204	4B	L3806	7C		
C207	4C	L3807	7B		
C209	3C	N308	4B		
C212	1C	R101	3B		
C215	1C	R102	3B		
C219	1C	R104	3B		
C220	4C	R105	3B		
C228	4B	R106	4B		
C230	4B	R111	4B		
C236	4B	R134	4C		
C241	1B	R135	4B		
C243	1B	R136	4C		
C244	1B	R138	4C		
C246	5B	R139	3B		
C247	5B	R140	3C		
C298	2C	R141	4B		
C299	2C	R143	4B		
C351	4B	R144	4C		
C359	3B	R146	4B		
C360	4B	R147	3C		
C361	4B	R148	3C		
C362	4B	R153	3C		
C363	3B	R159	3C		
C364	4B	R160	3B		
C365	4B	R161	3C		
C366	4B	R168	4B		
C367	3B	R169	4B		

Achtung : Hoehenprofil C24\_...\_...\_42 (gilt nur fuer Entwicklung)  
Liefervarianten siehe : V24851-Z2000-A1-\*--35

				DATE	06.09.2005	Flamingo B2.3 Mainboard Populate variant V1/ AMD FLASH WIRING DIAGRAMM (SOLDER SIDE 2)	3:1
				NAME	Zhang Yanhong		
				APPR'D			
				STD			
				COM MD D HW4			
2	32049	26.09.2005	zyh	SIEMENS AG			SHEET
1	31329	06.09.2005	ZYH	217095			2+
VERS.	CHANGE NUMBER	DATE	NAME	( Created by BOM number: A5B00900197564-32049 )			

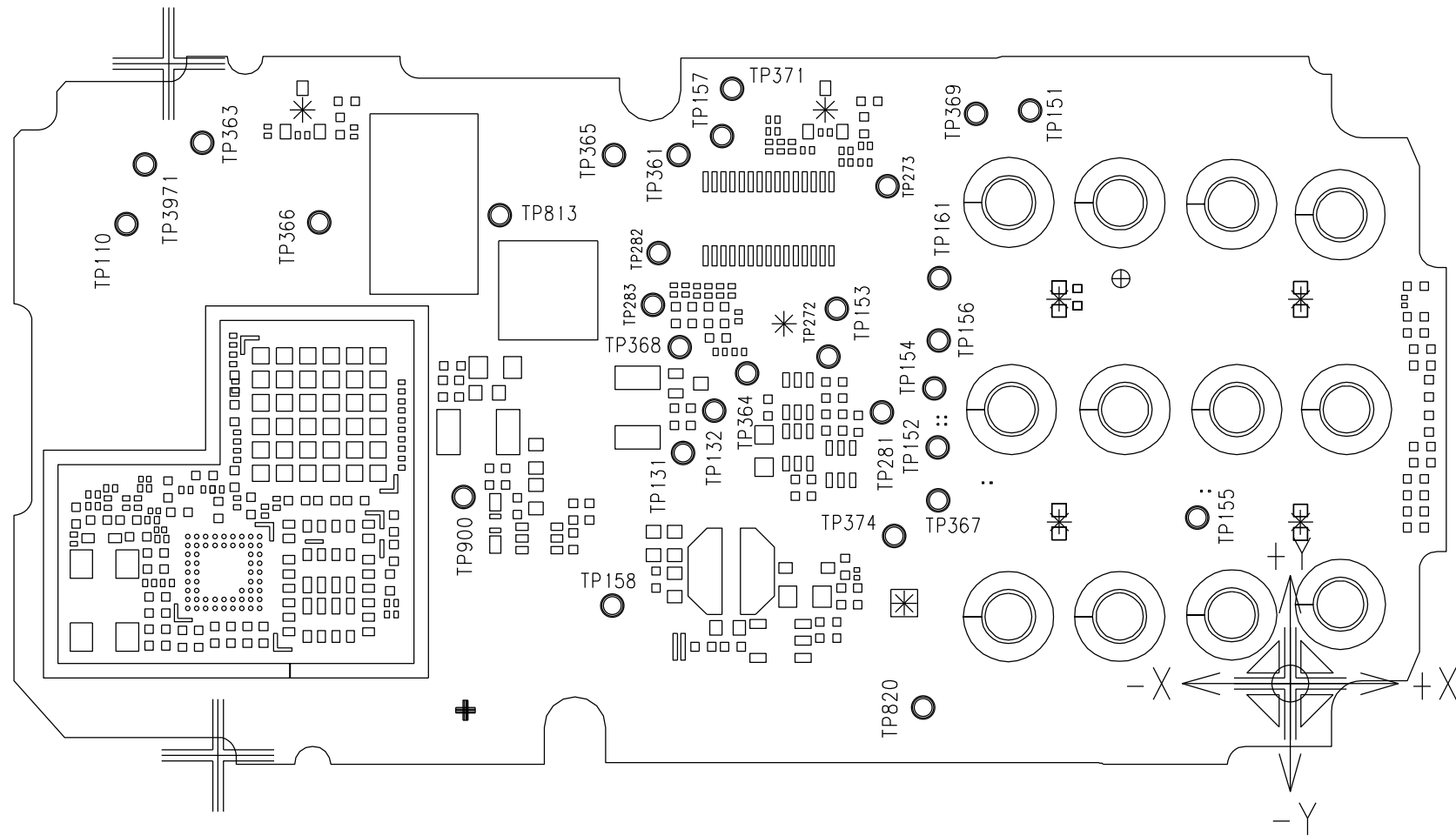


PROPRIETARY DATA, COMPANY CONFIDENTIAL  
ALL RIGHTS RESERVED

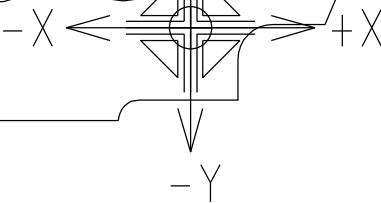
ALS BETRIEBSGEHEIMNIS ANVERTRAUT  
ALLE RECHTE VORBEHALTEN

1 2 3 4 5 6 7 8 9 10

A  
B  
C  
D  
E



TP110	1B	/TVCO
TP131	4C	/BREF
TP132	4B	/TBAT
TP151	5B	/MON2
TP152	5C	/TMS
TP153	4B	/TCK
TP154	5B	/TD1
TP155	6C	/TRST
TP156	5B	/TDO
TP157	4B	/ON_OFF
TP158	4C	VEBU_2_9
TP161	5B	/MON1
TP272	4B	/LIGHT_2
TP273	5B	/LIGHT_K_DISP
TP281	5B	/LIGHT_1
TP282	4B	/EPPA1
TP283	4B	/EPPA2
TP361	4B	/POWER
TP363	2B	VDD_RF2
TP364	4B	VEBU_1_8
TP365	4B	/NB475
TP366	2B	VDIG_2_65V
TP367	5C	1.5V
TP368	4B	VDDA_2_65V
TP369	5B	/VDD_RTC
TP371	4A	RESET_UC
TP374	5C	VBOOST
TP813	3B	GND
TP820	5C	/RF_SIN26M
TP900	3C	/RF_TXONPA
TP3971	1B	VDD_RF1

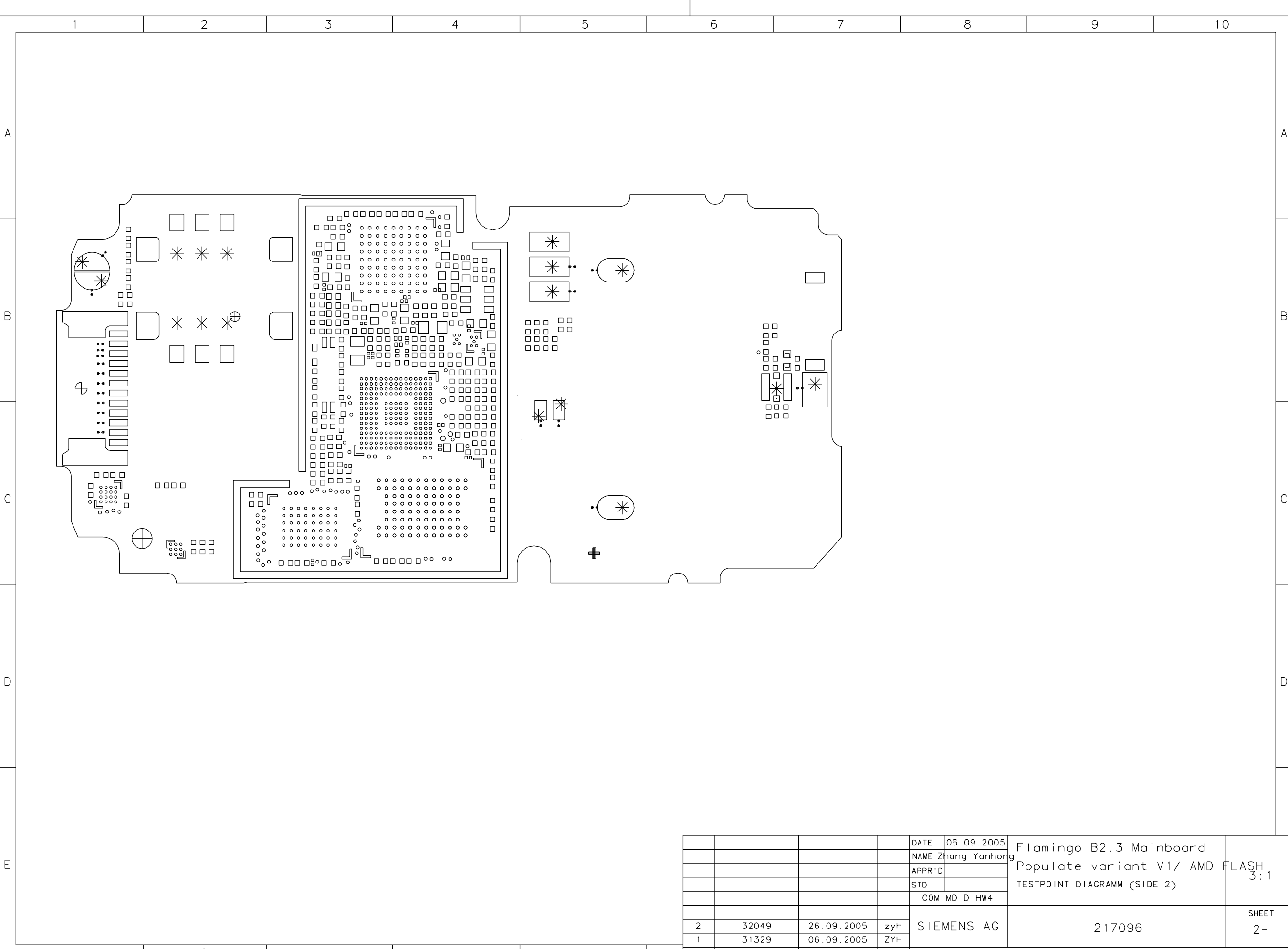


DATE	06.09.2005	Flamingo B2.3 Mainboard		SHEET 1+			
NAME	Zhang Yanhong	Populate variant V1/ AMD FLASH					
APPR'D		TESTPOINT DIAGRAMM (SIDE 1)					
STD		COM MD D HW4					
VERS.	2	32049	26.09.2005	zyh	SIEMENS AG	217096	
	1	31329	06.09.2005	ZYH			
( Created by BOM number: A5B00900197564-32049 )							

1 2 3 4 5

PROPRIETARY DATA, COMPANY CONFIDENTIAL  
ALL RIGHTS RESERVED

ALS BETRIEBSGEHEIMNIS ANVERTRAUT  
ALLE RECHTE VORBEHALTEN



				DATE	06.09.2005	Flamingo B2.3 Mainboard Populate variant V1/ AMD FLASH TESTPOINT DIAGRAMM (SIDE 2)	3:1
				NAME	Zhang Yanhong		
				APPR'D			
				STD			
				COM MD D HW4			
2	32049	26.09.2005	zyh	SIEMENS AG		217096	SHEET 2-
1	31329	06.09.2005	ZYH				
VERS.	CHANGE NUMBER	DATE	NAME	( Created by BOM number: A5B00900197564-32049 )			